

US00D960093S

(12) **United States Design Patent** (10) **Patent No.:** **US D960,093 S**
Farrow (45) **Date of Patent:** **** Aug. 9, 2022**

(54) **CHARGER HOUSING**
(71) Applicant: **Philip Morris Products S.A.**,
Neuchâtel (CH)
(72) Inventor: **Alexander Farrow**, Pleasant Hill, CA
(US)
(73) Assignee: **Philip Morris Products S.A.**,
Neuchatel (CH)
(**) Term: **15 Years**
(21) Appl. No.: **29/731,486**
(22) Filed: **Apr. 15, 2020**
(30) **Foreign Application Priority Data**
Oct. 17, 2019 (EM) 007039631
(51) **LOC (13) Cl.** **13-02**
(52) **U.S. Cl.**
USPC **D13/108; D13/110**
(58) **Field of Classification Search**
USPC D13/101, 103, 107, 108, 110, 118, 119,
D13/184, 199; D14/252, 432, 433, 434;
D27/141, 194
CPC H02J 7/02; H02J 7/0042; H02J 7/022;
H01M 2/1022; A24F 47/008; A24F 15/00
See application file for complete search history.

D584,313 S * 1/2009 Pittel D14/434
D669,851 S * 10/2012 Ikegame D13/108
D685,323 S * 7/2013 Szymanski D13/108
D733,648 S * 7/2015 Bianco D13/107
2017/0119044 A1* 5/2017 Oligschlaeger B65D 25/10
2017/0367406 A1* 12/2017 Schuler A24F 40/90

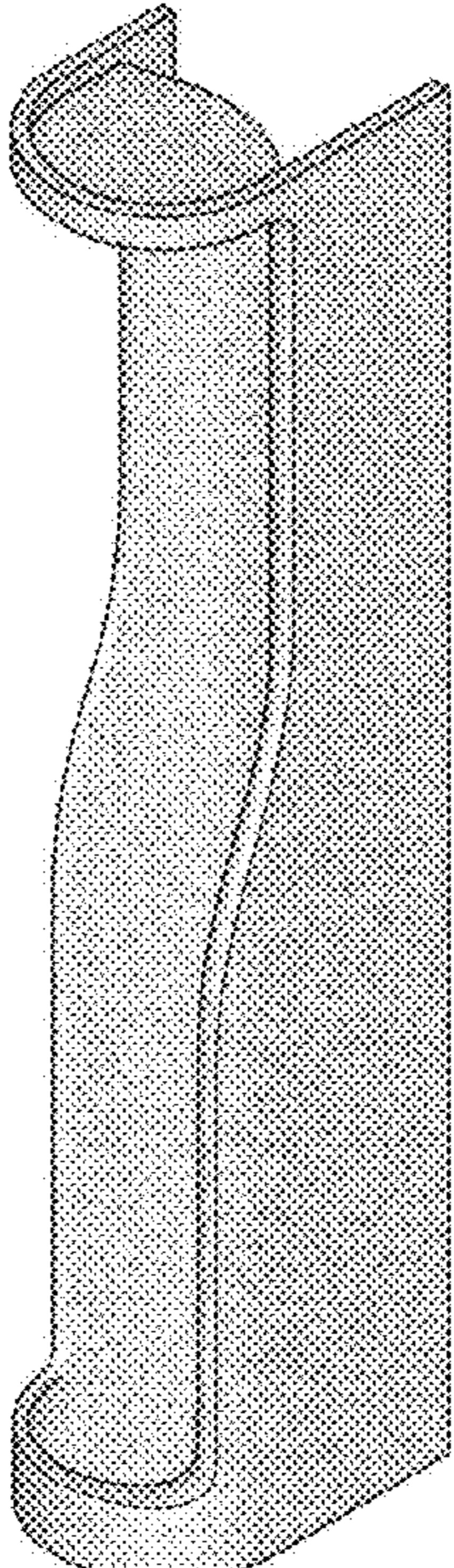
* cited by examiner
Primary Examiner — Derrick E Holland
(74) *Attorney, Agent, or Firm* — Oblon, McClelland,
Maier & Neustadt, L.L.P.

(56) **References Cited**
U.S. PATENT DOCUMENTS
D324,024 S * 2/1992 Nagele D13/108
D351,133 S * 10/1994 Jungels-Butler D13/108

(57) **CLAIM**
The ornamental design for a charger housing, as shown and described.

DESCRIPTION
FIG. 1 is a rear, top, and right side perspective view of a charger housing showing the new design; FIG. 2 is a front elevational view thereof; FIG. 3 is a rear elevational view thereof; FIG. 4 is a top plan view thereof; FIG. 5 is a bottom plan view thereof; FIG. 6 is a right side elevational view thereof; FIG. 7 is a left side elevational view thereof; and, FIG. 8 is a rear, bottom, and right side perspective view thereof.

1 Claim, 8 Drawing Sheets



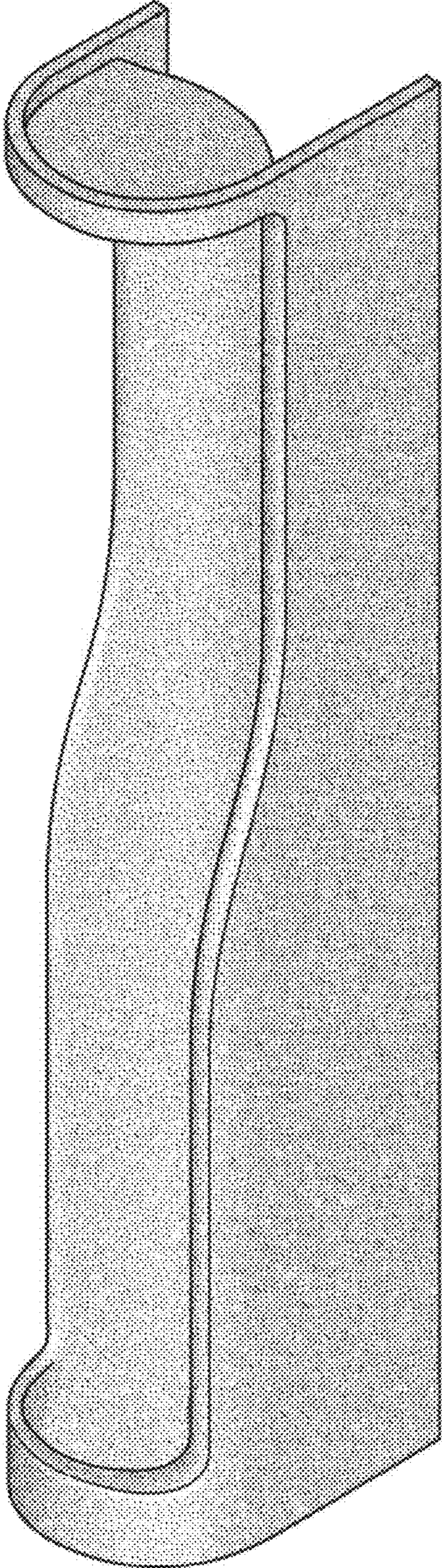


FIG. 1

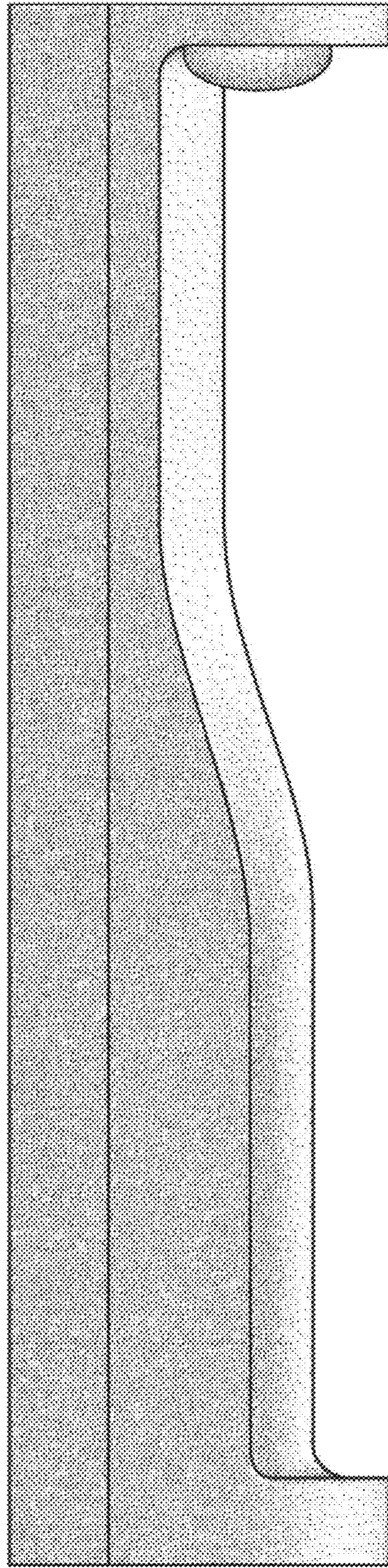


FIG. 2

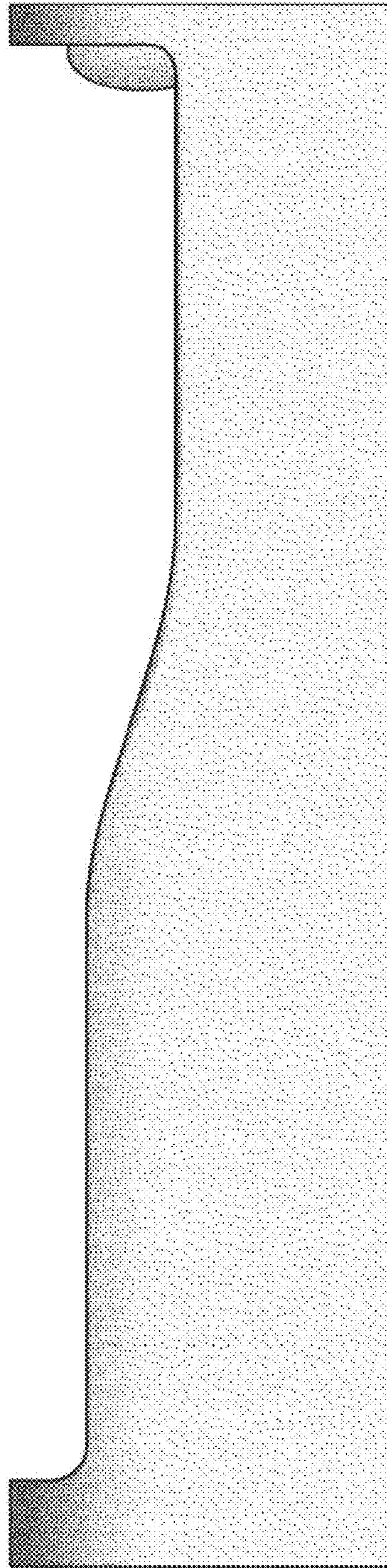


FIG. 3

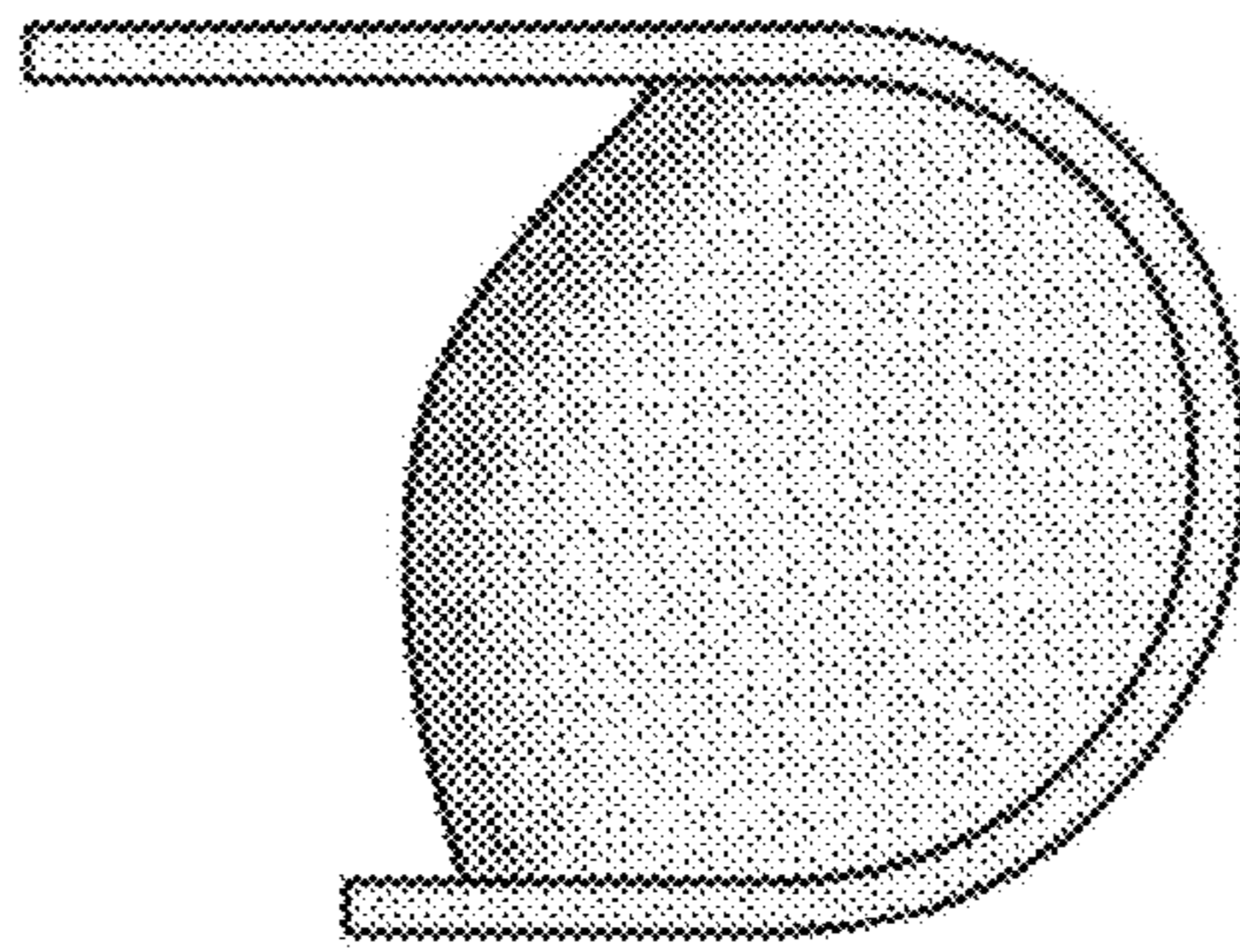


FIG. 4

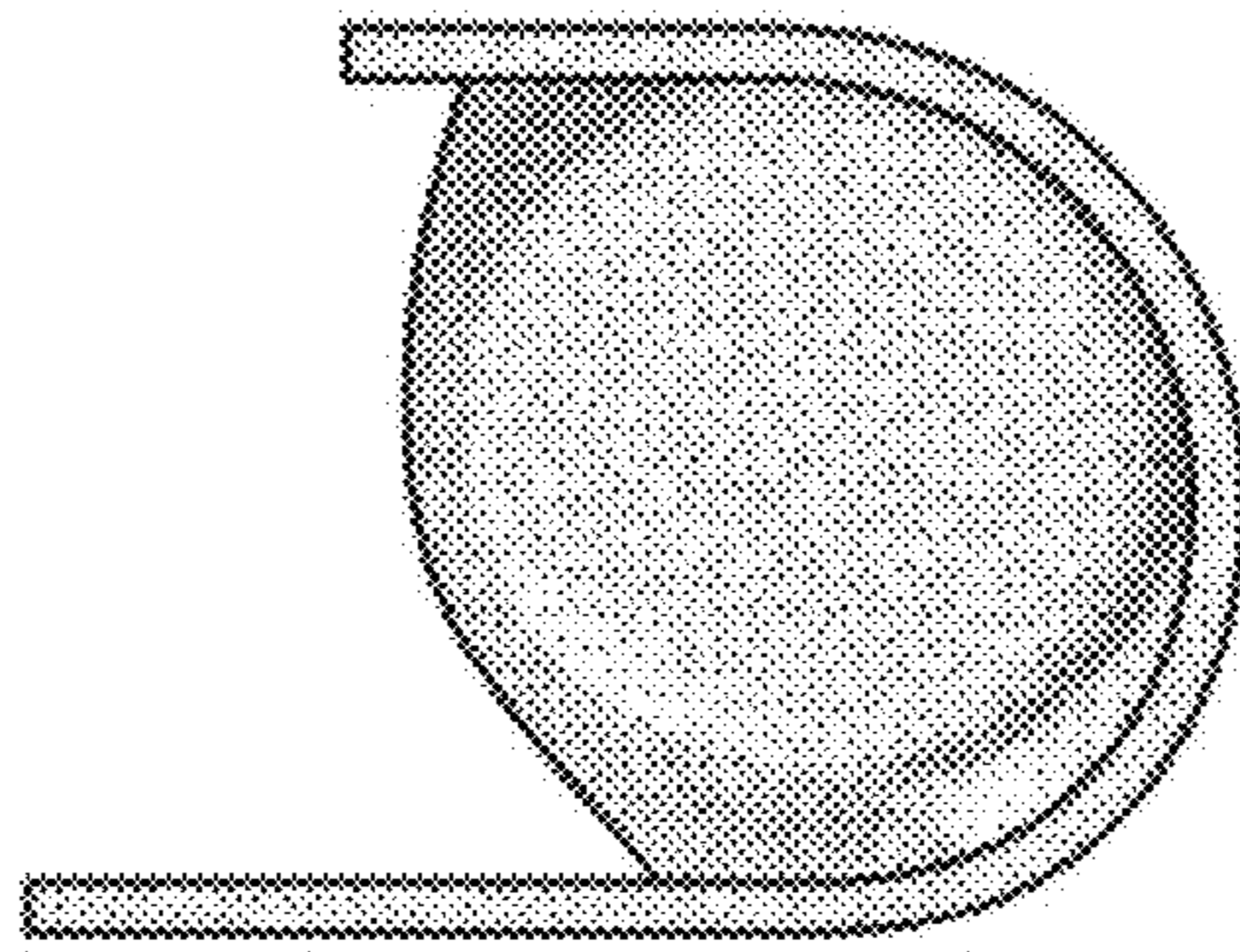


FIG. 5

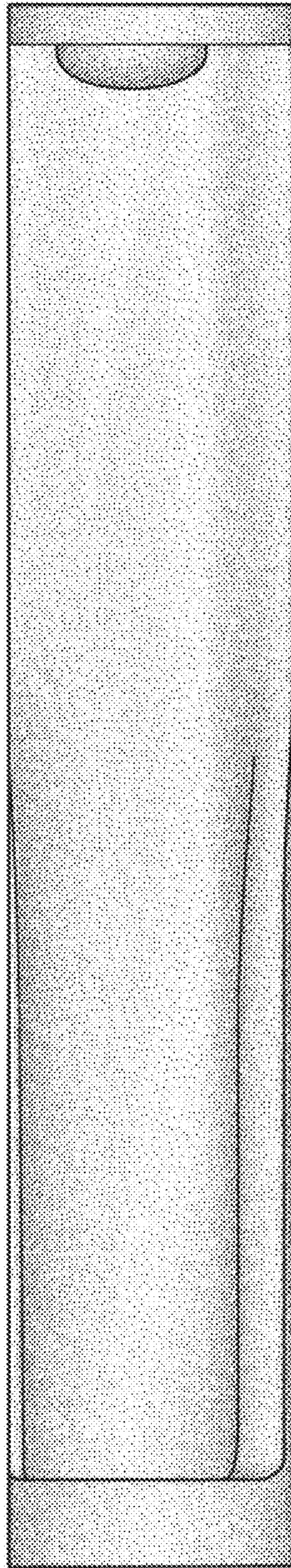


FIG. 6

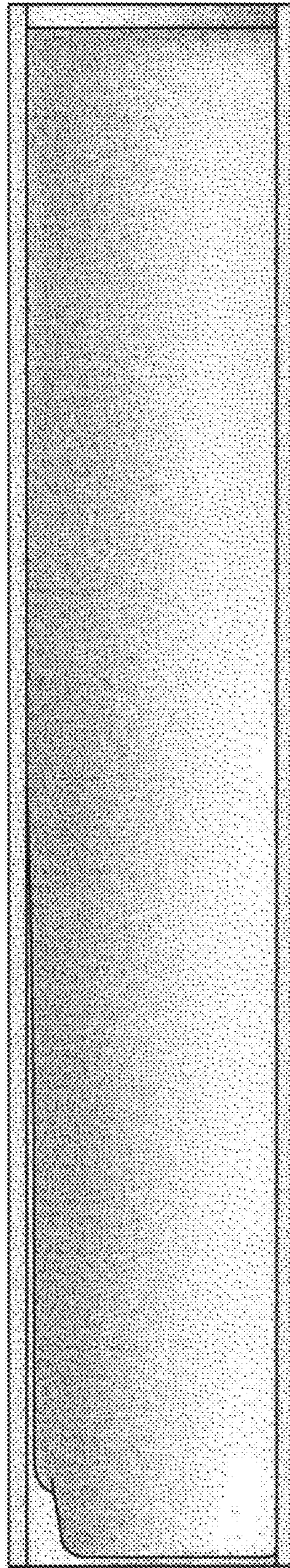


FIG. 7

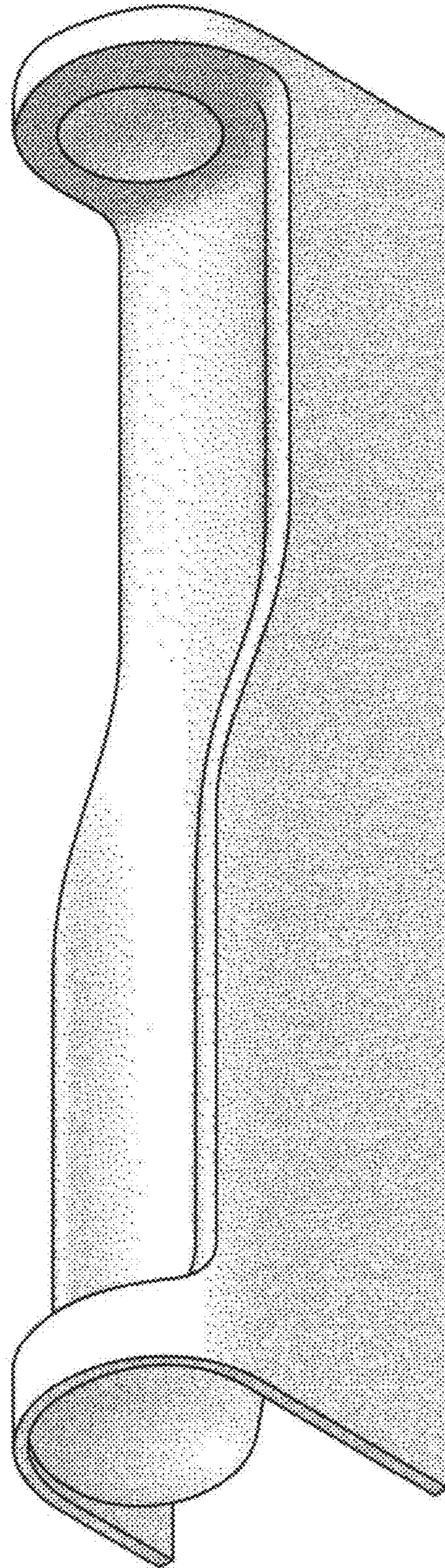


FIG. 8