



US00D960092S

(12) **United States Design Patent**
Kojima et al.

(10) **Patent No.:** **US D960,092 S**

(45) **Date of Patent:** **** Aug. 9, 2022**

(54) **MOBILE POWER CHARGER**

D905,624 S * 12/2020 Kojima D13/102
D926,677 S * 8/2021 Kojima D13/108
D937,770 S * 12/2021 Matsumoto D13/108

(71) Applicant: **ZEON CORPORATION**, Tokyo (JP)

(72) Inventors: **Kiyoshige Kojima**, Tokyo (JP); **Yuki Hayashi**, Tokyo (JP)

(73) Assignee: **ZEON CORPORATION**, Tokyo (JP)

(**) Term: **15 Years**

(21) Appl. No.: **29/678,049**

(22) Filed: **Jan. 25, 2019**

(30) **Foreign Application Priority Data**

Jul. 25, 2018 (JP) 2018-016277

(51) **LOC (13) Cl.** **13-02**

(52) **U.S. Cl.**
USPC **D13/108**

(58) **Field of Classification Search**

USPC D13/107-108, 118-119, 184, 199, 110,
D13/102; D14/251, 447, 432-434

CPC H02J 7/025; H02J 7/005; H02J 7/0026;
H02J 7/0042; H02J 7/0044; H02J 7/0045;
H02J 7/0013; H02J 7/0003; H02J 50/10;
H02J 50/12

See application file for complete search history.

(56) **References Cited**

U.S. PATENT DOCUMENTS

D357,897 S * 5/1995 Daio D13/103
D830,322 S * 10/2018 Yaprak D13/184
D849,678 S * 5/2019 Kojima D13/102
D867,984 S * 11/2019 Kojima D13/102
D871,901 S * 1/2020 Sun D8/395

FOREIGN PATENT DOCUMENTS

JP 1059389 S 1/2000
JP 1543192 S 1/2018
JP 1594867 S 1/2018
JP 1613169 S 9/2018
JP 1613171 S 9/2018
JP 1613172 S 9/2018

* cited by examiner

Primary Examiner — Rosemary K Tarcza

(74) *Attorney, Agent, or Firm* — Kenja IP Law PC

(57) **CLAIM**

The ornamental design for a mobile power charger, as shown and described.

DESCRIPTION

FIG. 1 is a front view of a mobile power charger showing our new design;

FIG. 2 is a top view thereof;

FIG. 3 is a right side view thereof;

FIG. 4 is a left side view thereof;

FIG. 5 is a rear view thereof;

FIG. 6 is a bottom view thereof;

FIG. 7 is a front perspective view thereof;

FIG. 8 is a rear perspective view thereof; and,

FIG. 9 is a perspective view of thereof, shown in an environment of use with a portable solar panel.

In the FIGS. 1-9, the broken lines illustrate portions of the mobile power charger that form no part of the claimed design.

1 Claim, 9 Drawing Sheets

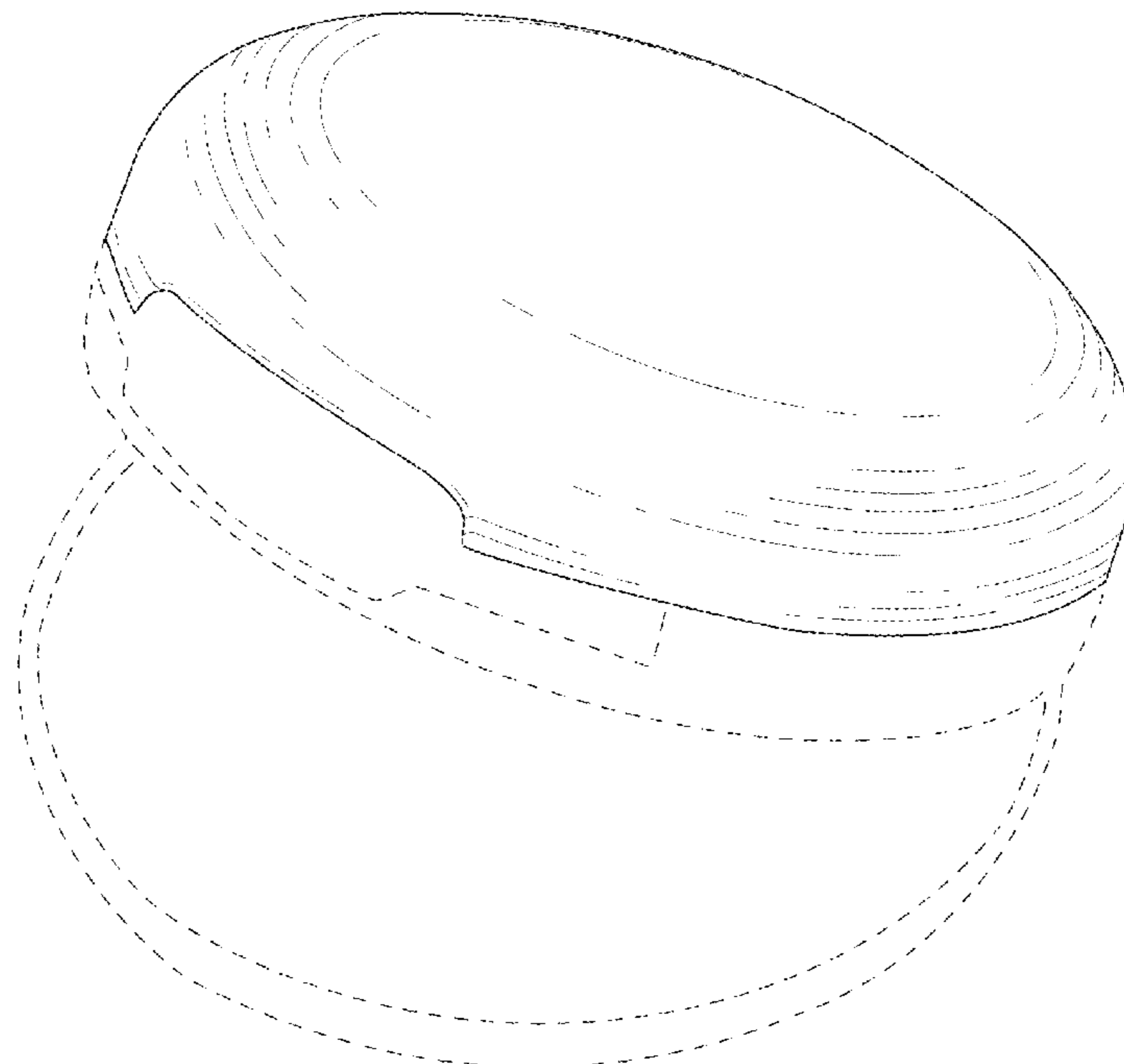


FIG. 1

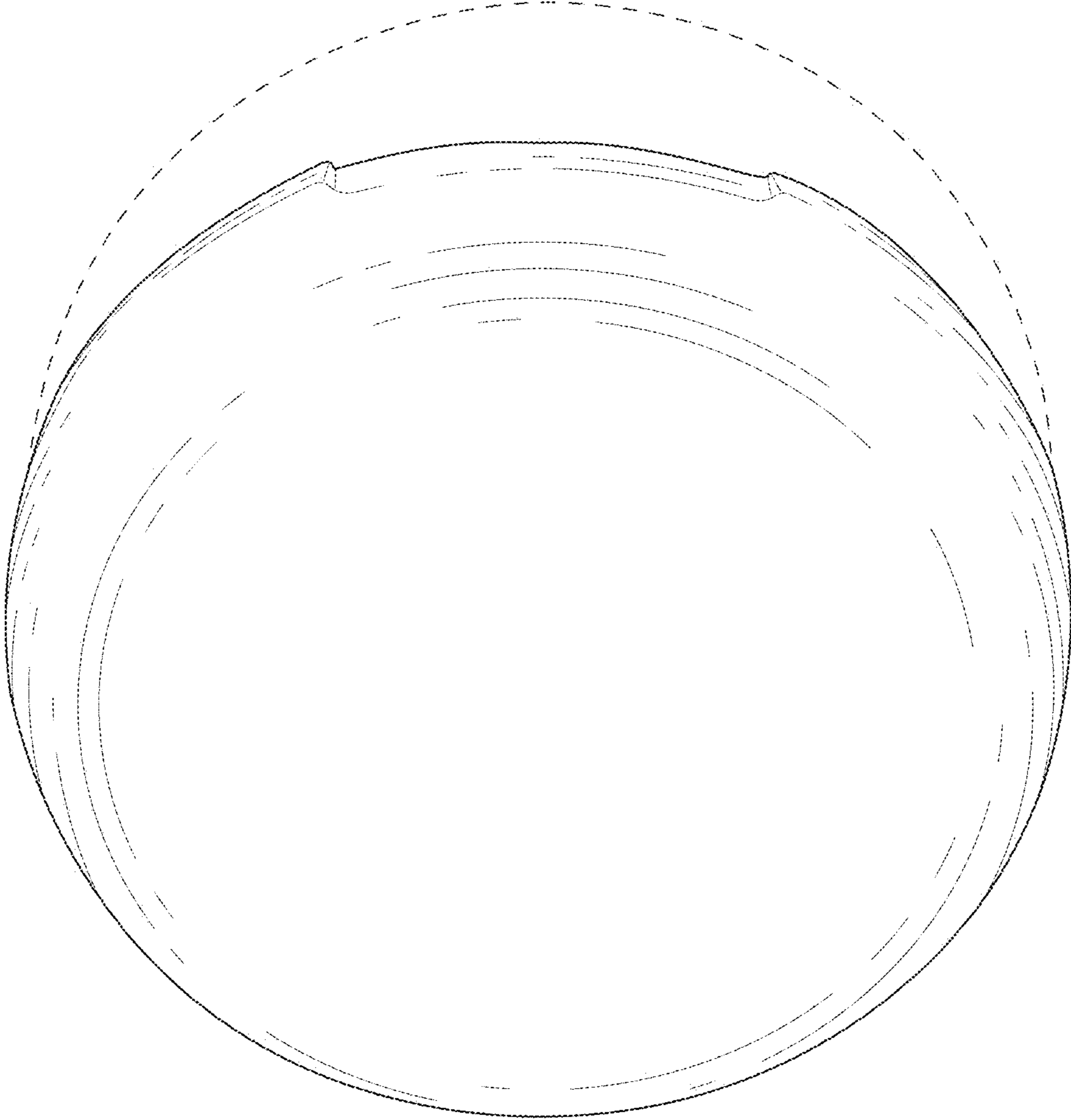


FIG. 2

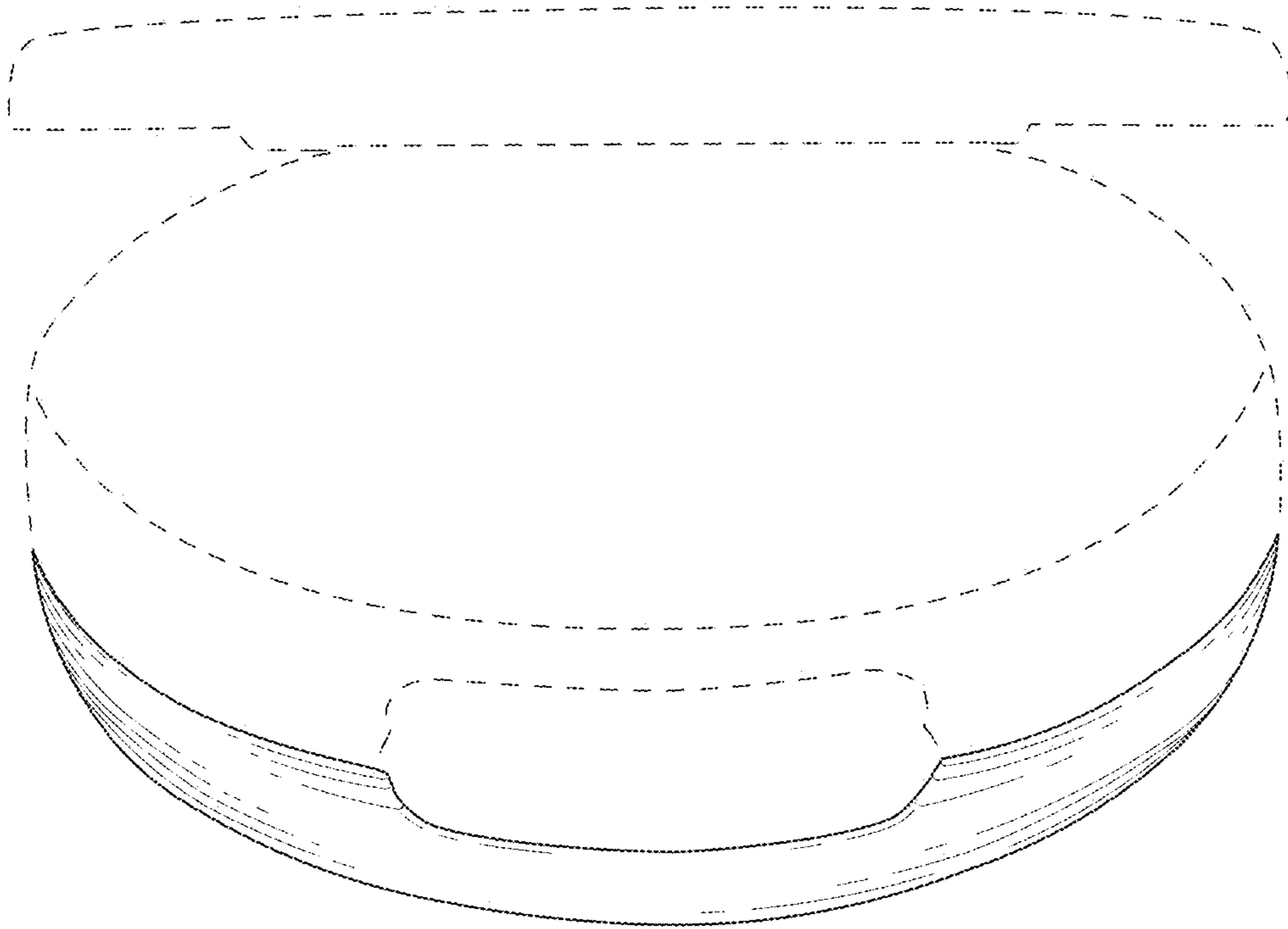


FIG. 3

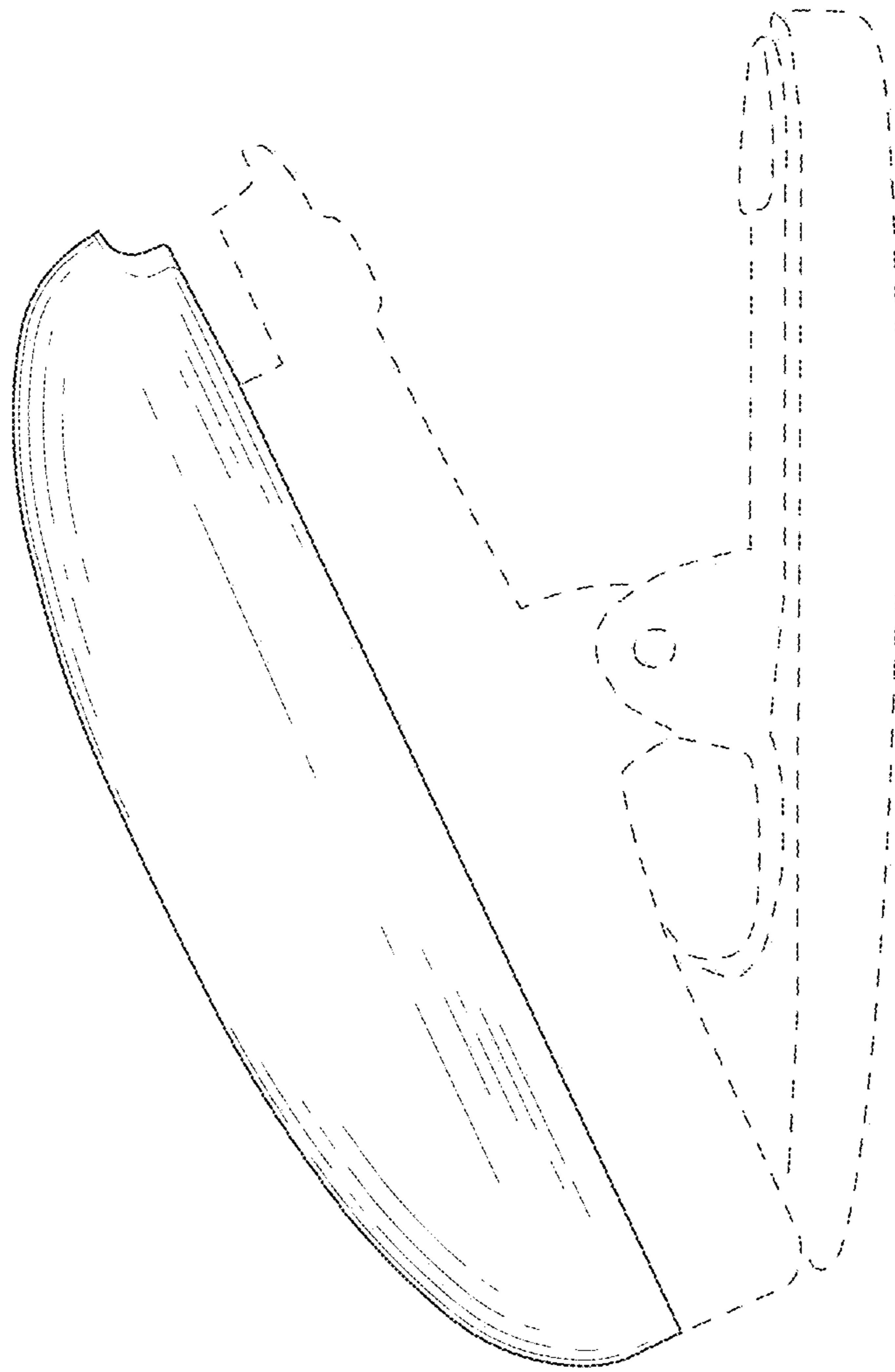


FIG. 4

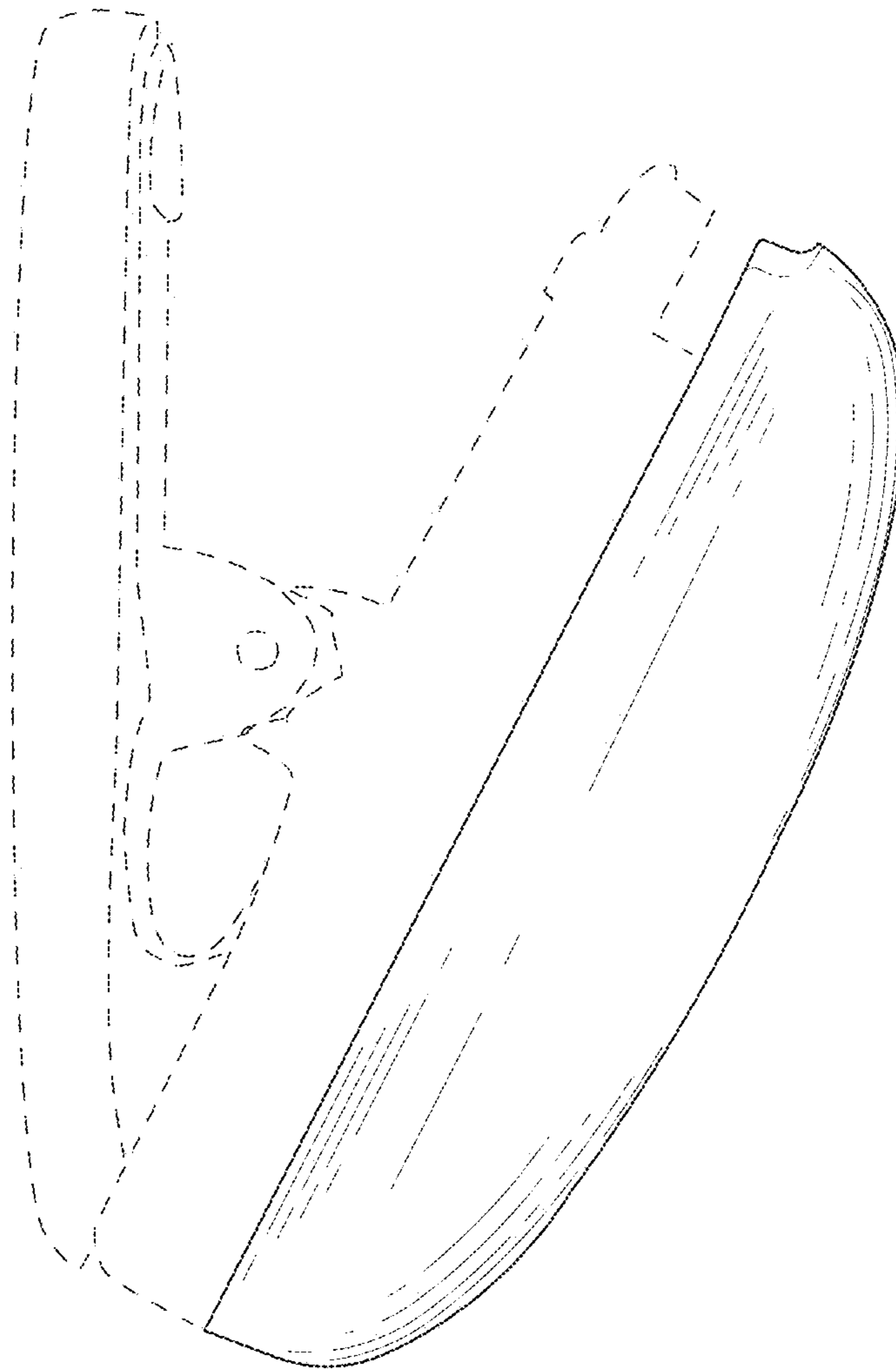


FIG. 5

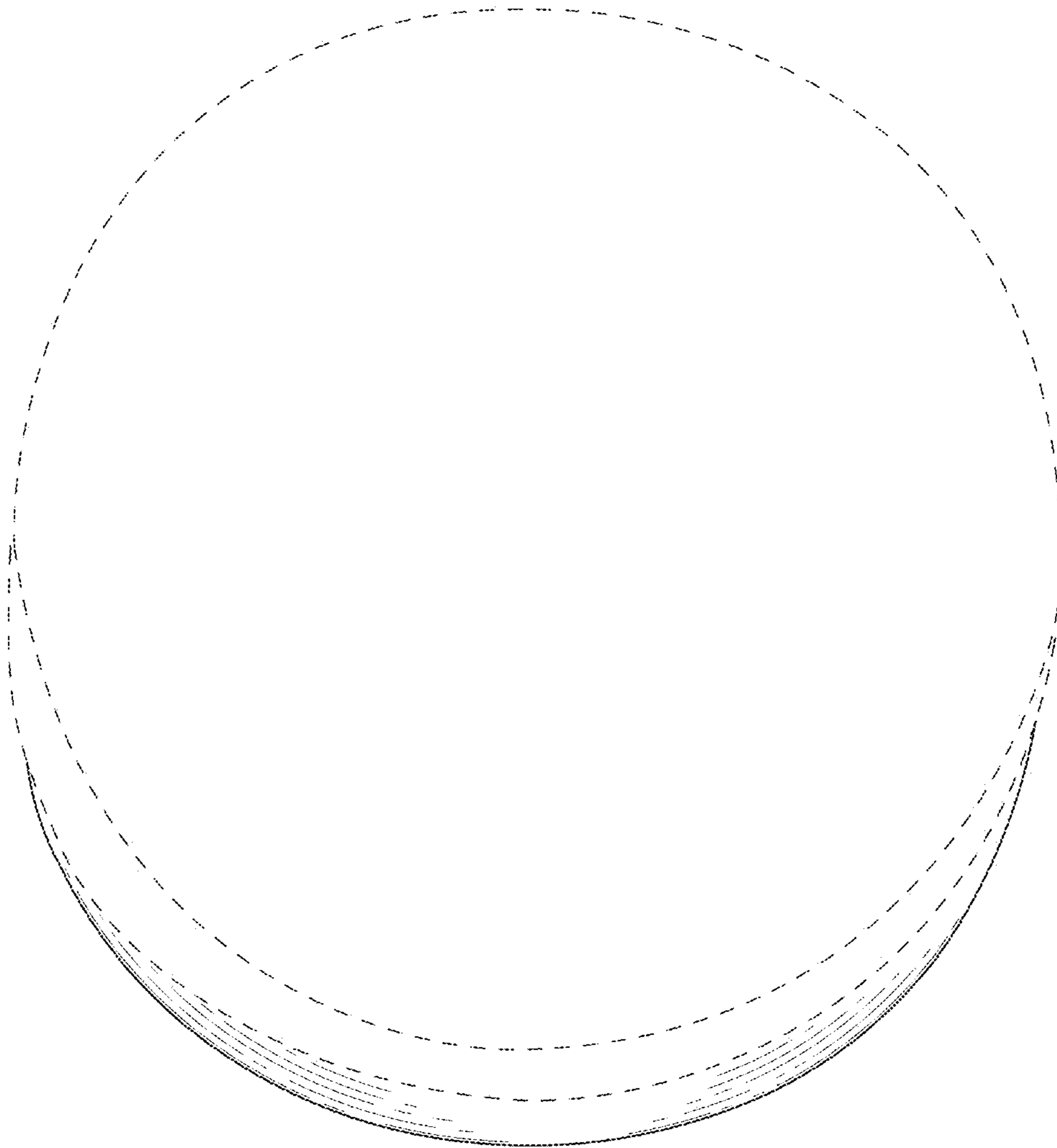


FIG. 6

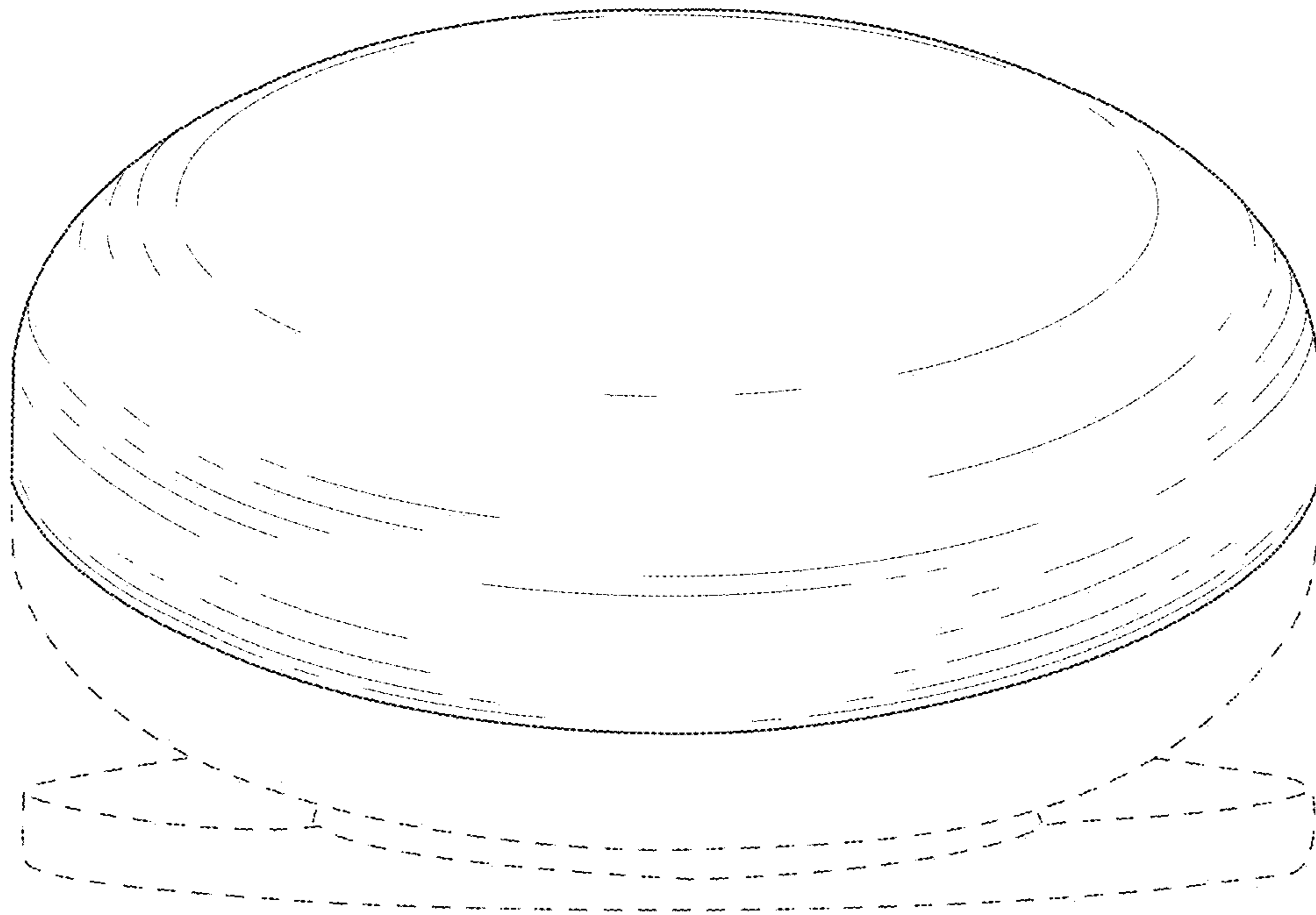


FIG. 7

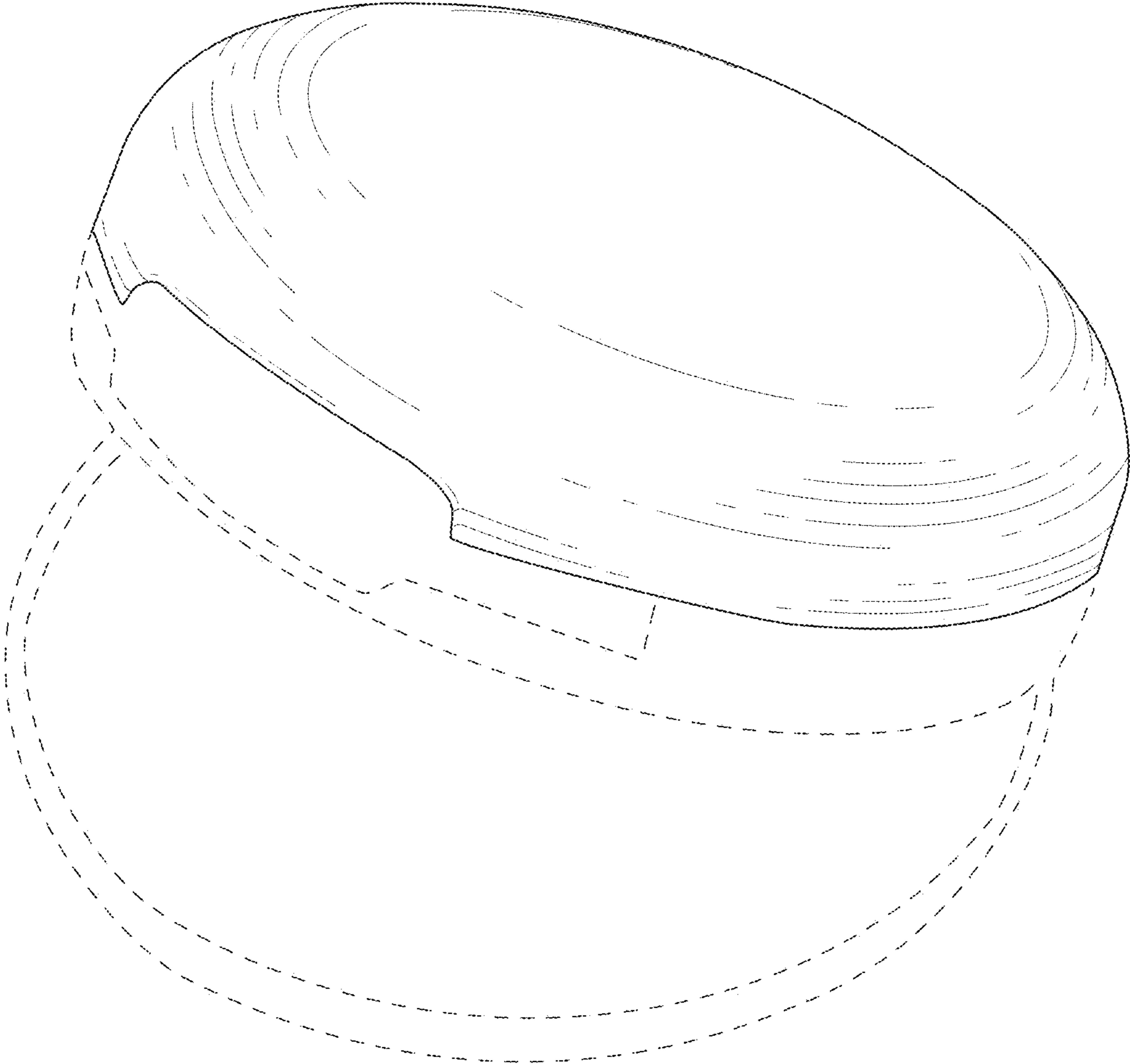


FIG. 8

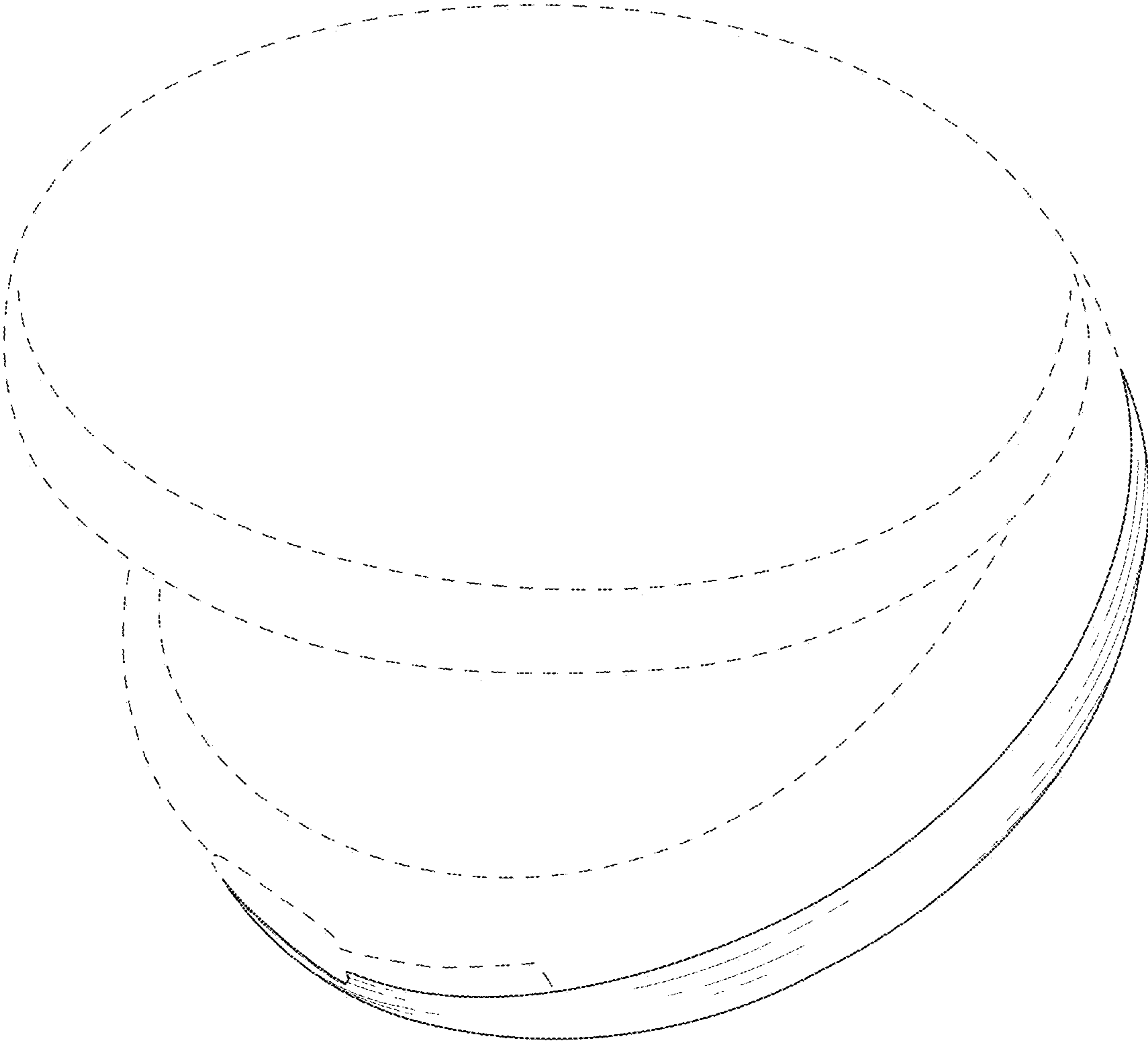


FIG. 9

