

US00D960091S

(12) **United States Design Patent**
Cheng

(10) **Patent No.:** **US D960,091 S**

(45) **Date of Patent:** **** Aug. 9, 2022**

(54) **CHARGING BRACKET**

(71) Applicant: **Xiongjun Cheng**, Guangdong (CN)

(72) Inventor: **Xiongjun Cheng**, Guangdong (CN)

(73) Assignee: **Shenzhen Aiqili Technology Co., Ltd.**,
Shenzhen (CN)

(**) Term: **15 Years**

(21) Appl. No.: **29/659,291**

(22) Filed: **Aug. 8, 2018**

(51) **LOC (13) Cl.** **13-02**

(52) **U.S. Cl.**
USPC **D13/108**

(58) **Field of Classification Search**
USPC D13/144, 108, 110, 118, 119, 120, 133,
D13/154, 184, 199; D14/253
CPC H02J 7/0044; H04M 1/04
See application file for complete search history.

(56) **References Cited**

U.S. PATENT DOCUMENTS

D406,591 S * 3/1999 Richter D14/253
D705,211 S * 5/2014 Huang D14/253

D858,509 S * 9/2019 Yao D14/253
D859,393 S * 9/2019 Dang D14/253
D859,395 S * 9/2019 Yao D14/253
D872,014 S * 1/2020 Zhang D13/108
D877,066 S * 3/2020 Zhang D13/108
D886,053 S * 6/2020 Lee D13/108
D895,602 S * 9/2020 Cheng D14/253
D927,480 S * 8/2021 Wang D14/253
D933,646 S * 10/2021 Liao D14/253

* cited by examiner

Primary Examiner — Jennifer O King

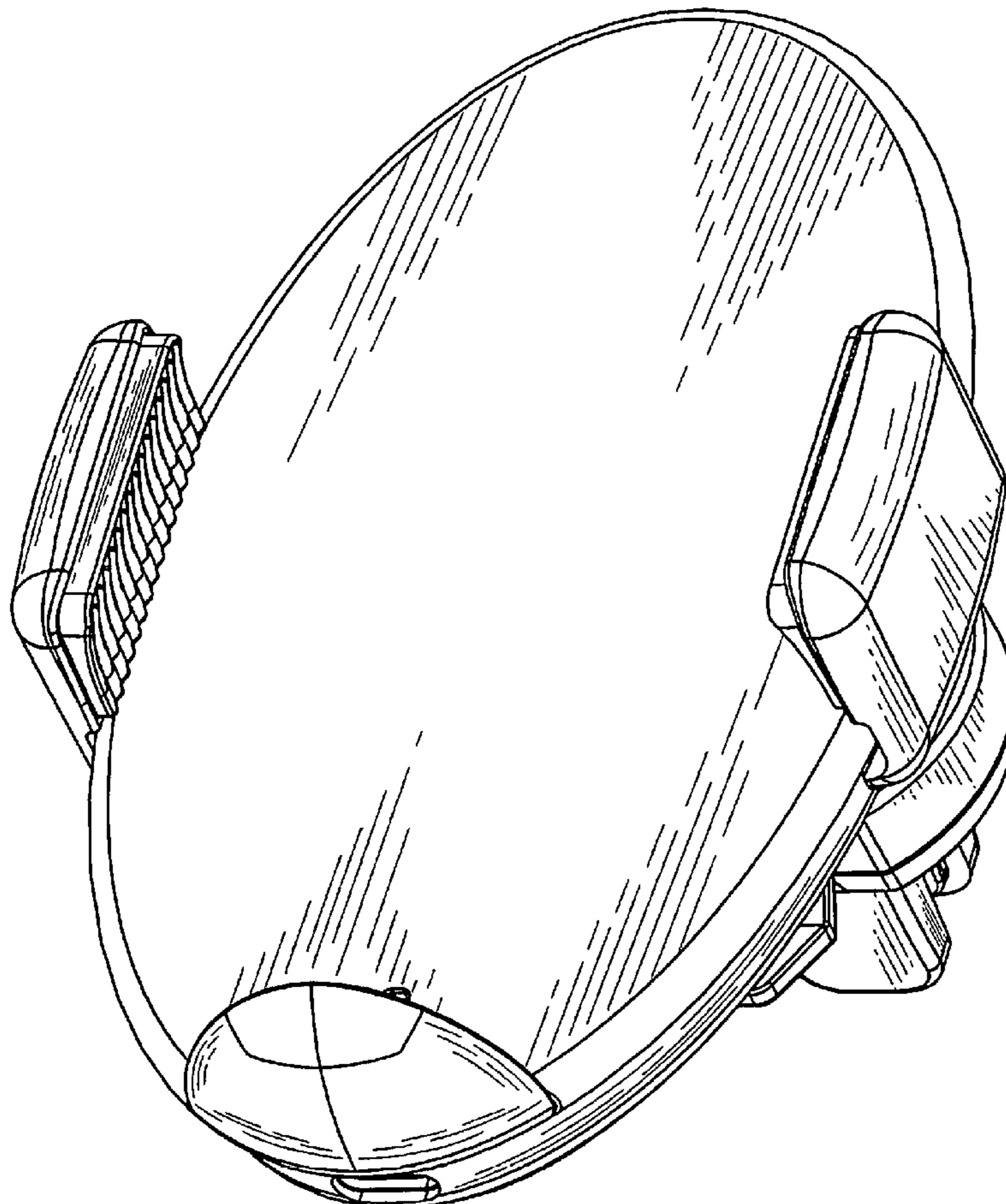
(57) **CLAIM**

I claim the ornamental design for a charging bracket, as shown and described.

DESCRIPTION

FIG. 1 is a front elevational view of a charging bracket showing my new design;
FIG. 2 is a rear elevational view thereof;
FIG. 3 is a left side elevational view thereof;
FIG. 4 is a right side elevational view thereof;
FIG. 5 is a top plan view thereof;
FIG. 6 is a bottom plan view thereof; and,
FIG. 7 is a perspective view thereof.
The broken lines shown represent portions of the device that form no part of the claimed design.

1 Claim, 7 Drawing Sheets



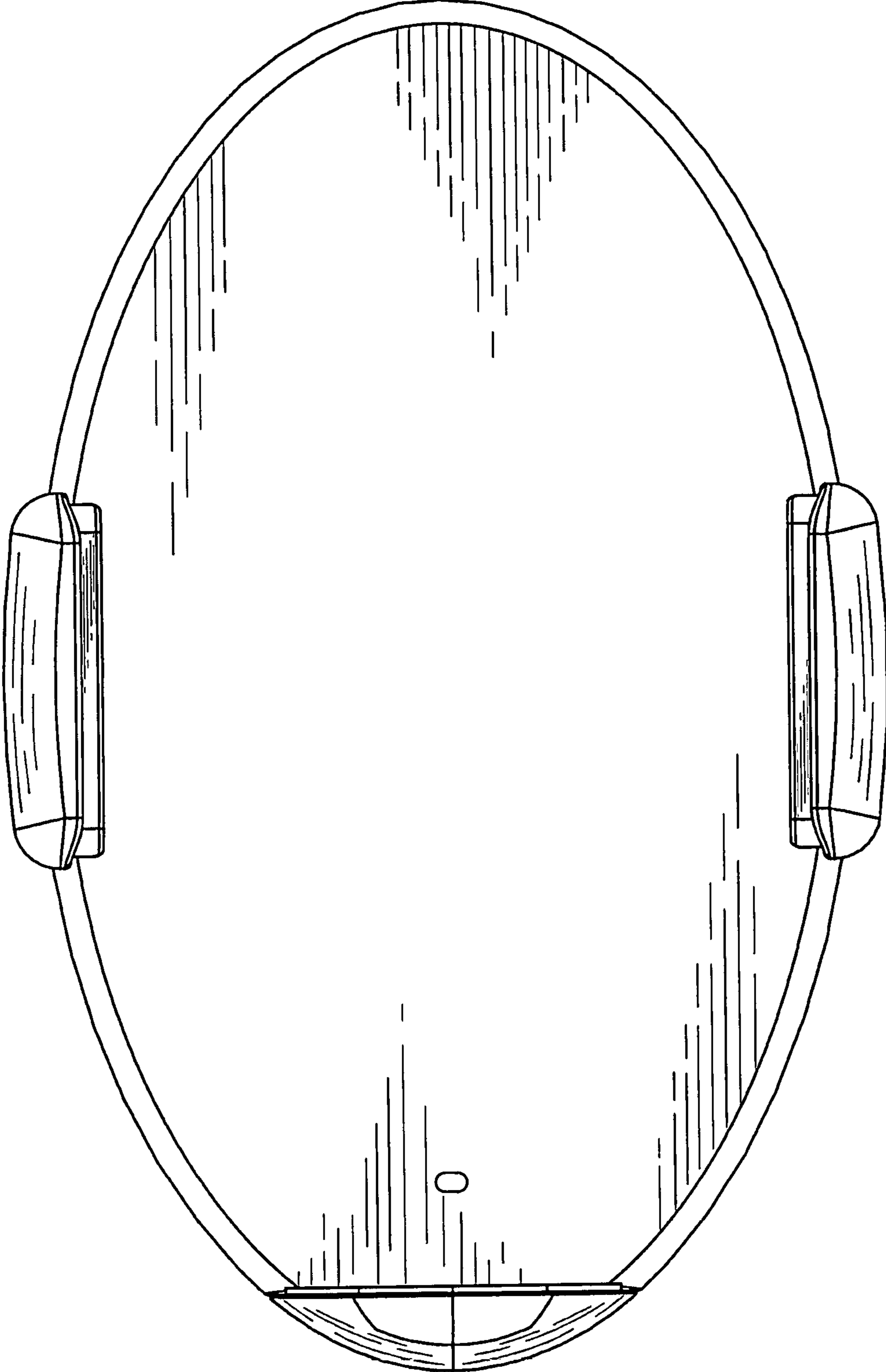


FIG. 1

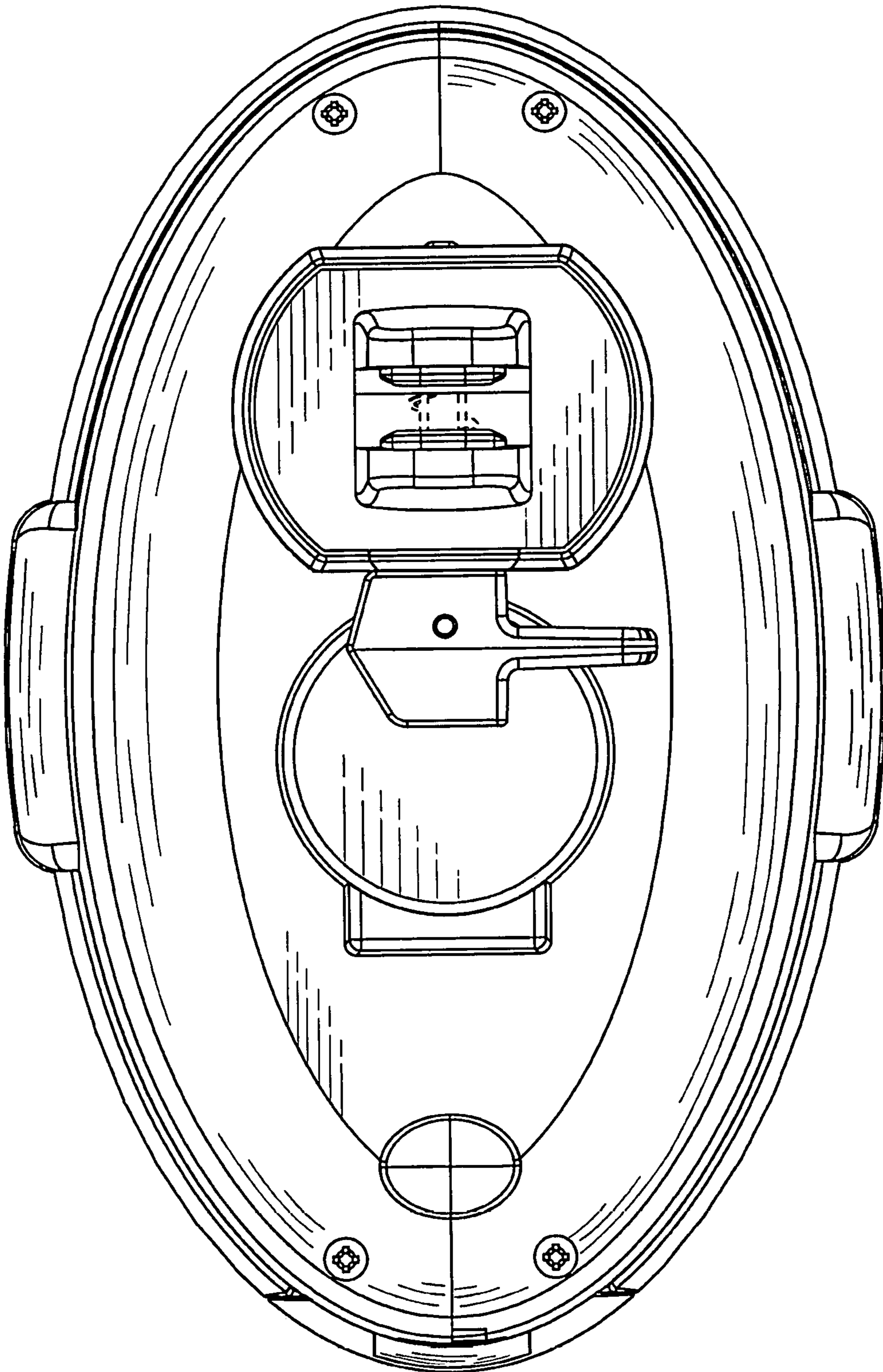


FIG. 2

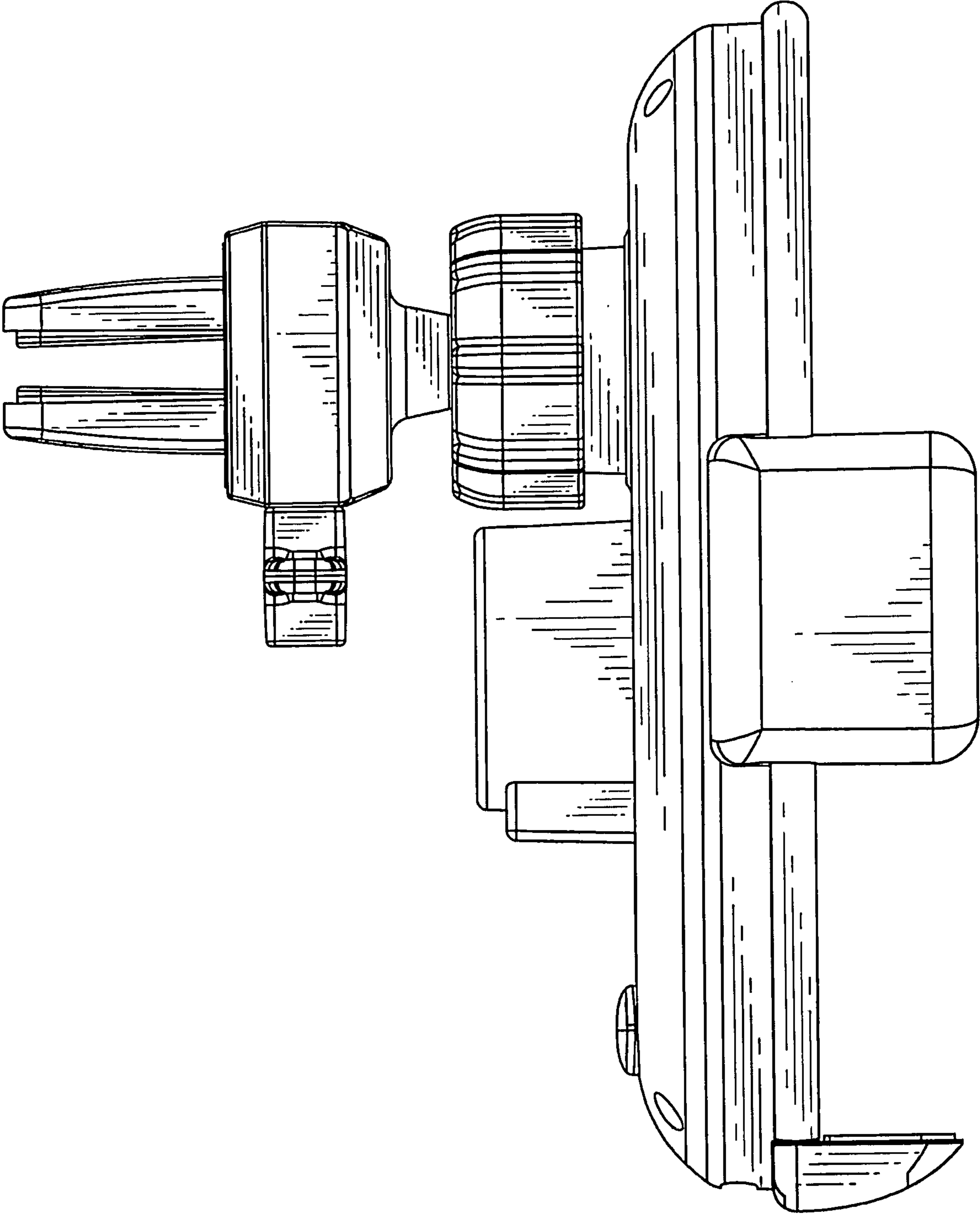


FIG. 3

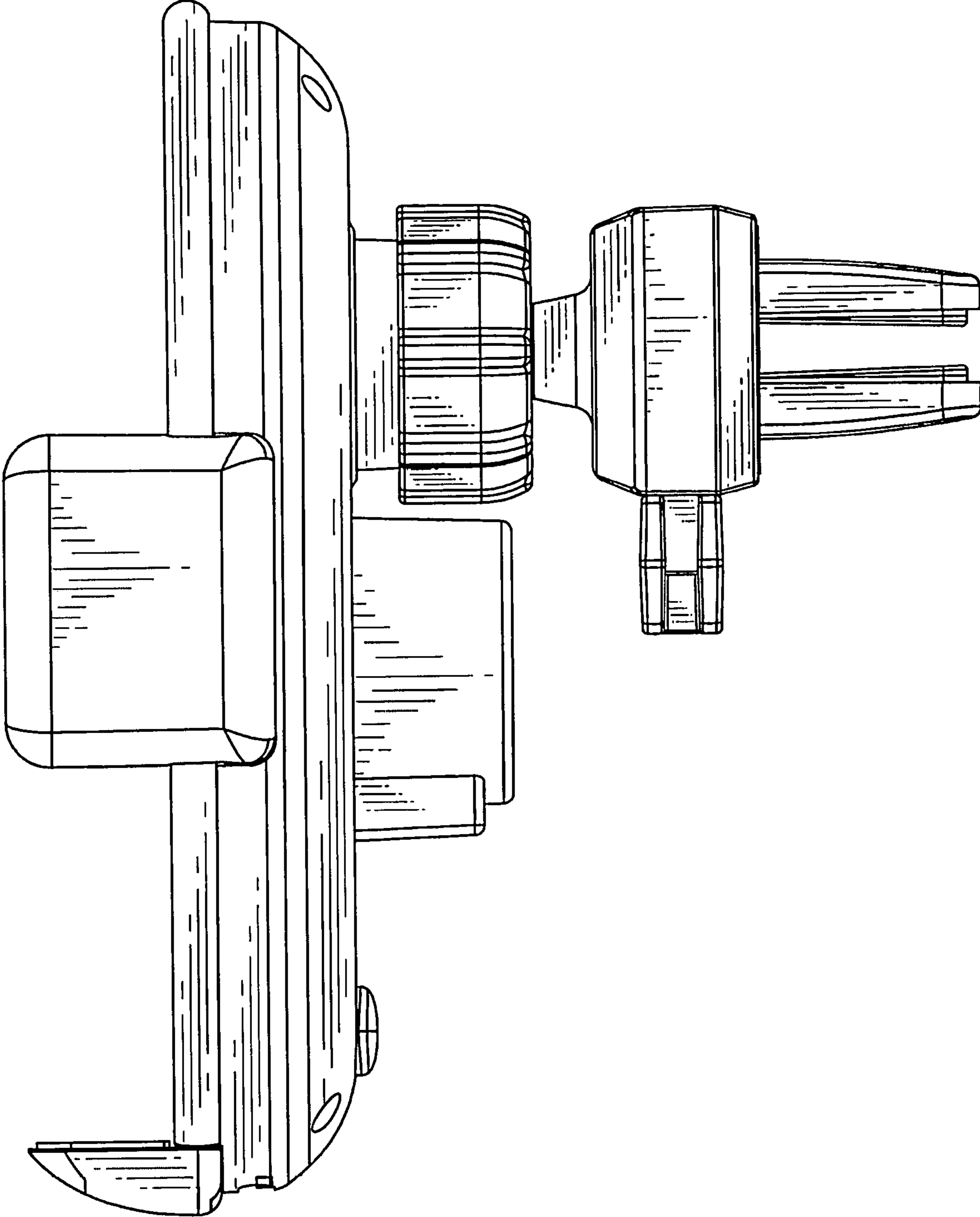


FIG. 4

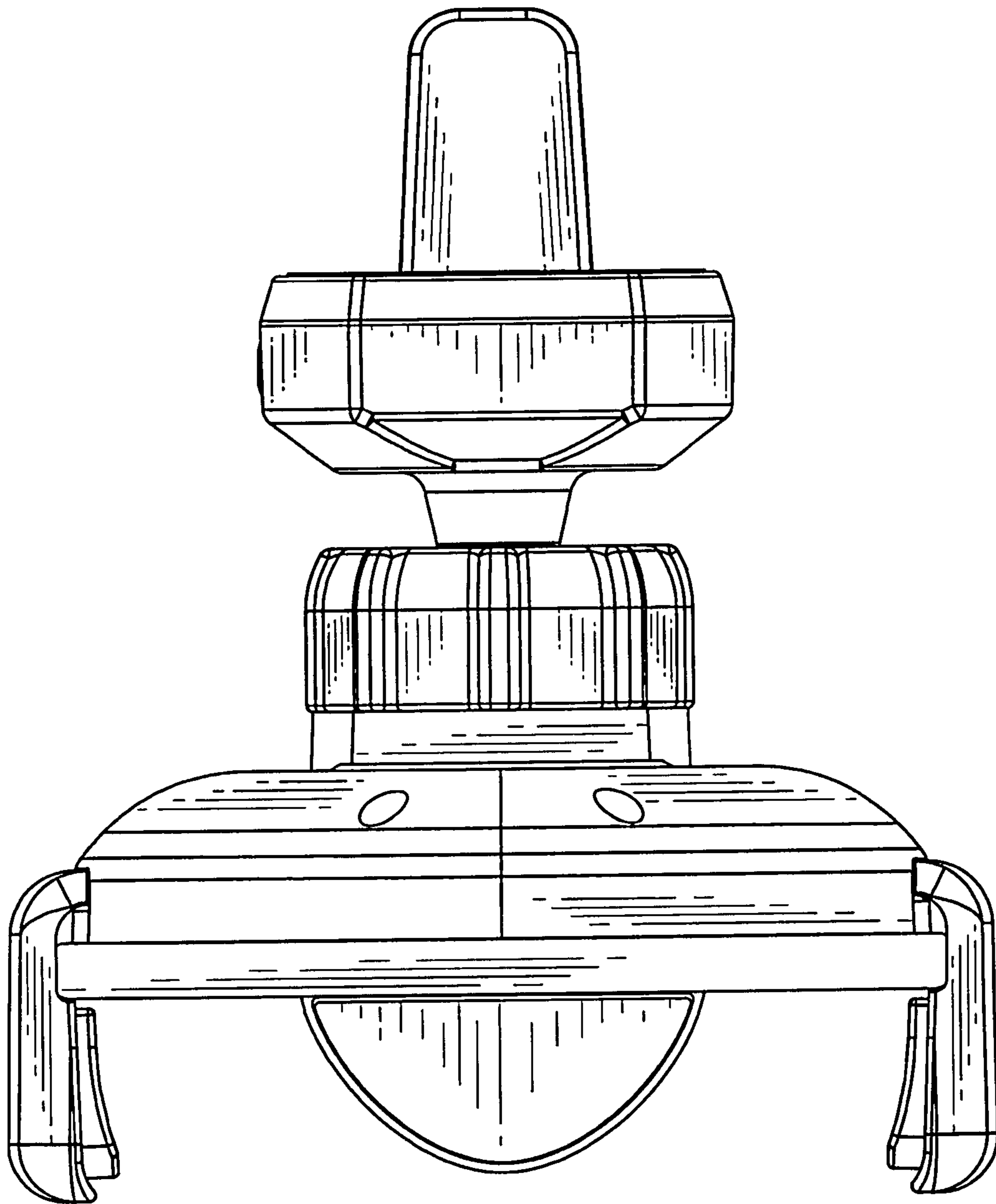


FIG. 5

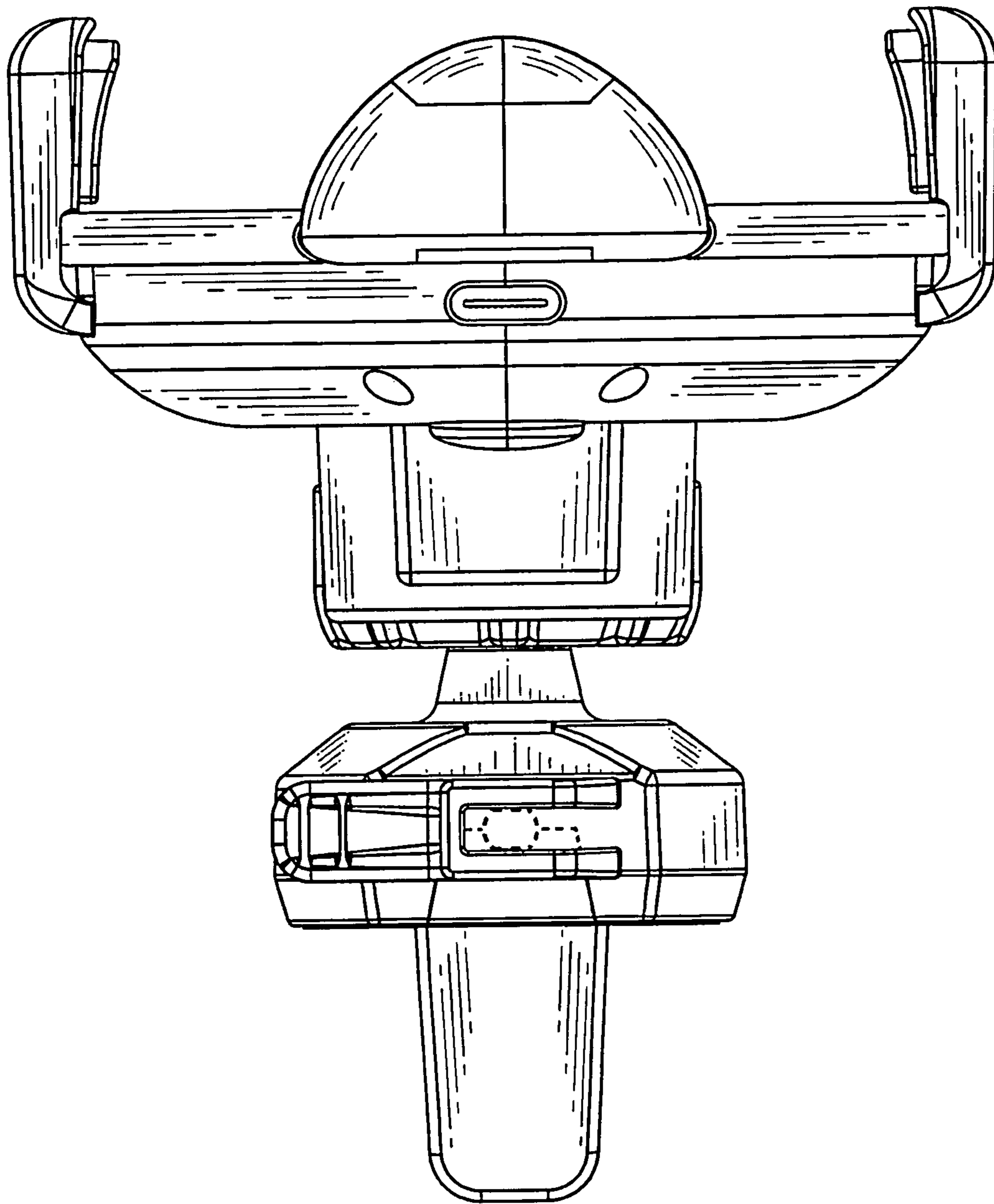


FIG. 6

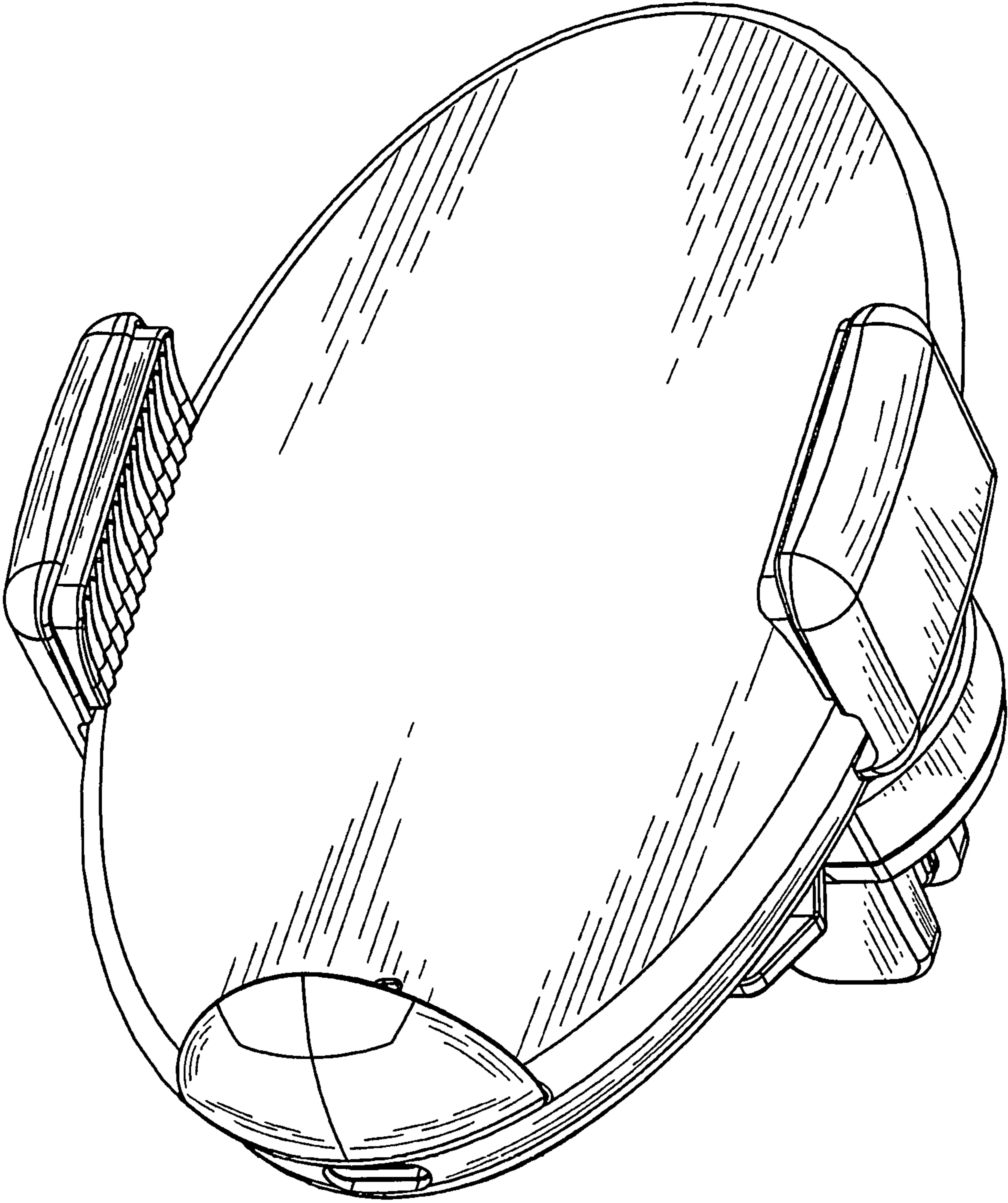


FIG. 7