



US00D960088S

(12) **United States Design Patent** (10) **Patent No.:** **US D960,088 S**  
**Berrezag et al.** (45) **Date of Patent:** **\*\* Aug. 9, 2022**

(54) **ELECTRIC MOTOR**

(71) Applicant: **Lofelt GmbH**, Berlin (DE)

(72) Inventors: **Amir Berrezag**, Berlin (DE); **Pooya Ghaderi**, Montréal (CA)

(73) Assignee: **Lofelt GmbH**, Berlin (DE)

(\*\*) Term: **15 Years**

(21) Appl. No.: **29/734,776**

(22) Filed: **May 15, 2020**

(51) **LOC (13) Cl.** ..... **13-02**

(52) **U.S. Cl.**

USPC ..... **D13/103**

(58) **Field of Classification Search**

USPC ..... D13/102–106, 110, 118, 119, 184, 199

CPC ..... H01M 6/00; H01M 6/14; H01M 6/05;

H01M 6/10; H01M 6/52

See application file for complete search history.

(56) **References Cited**

**U.S. PATENT DOCUMENTS**

D848,366 S *	5/2019	Lian	.....	D13/108
D853,955 S *	7/2019	Oliver	.....	D13/103
D884,608 S *	5/2020	Gan	.....	D13/107
D894,117 S *	8/2020	Burgess	.....	D13/103
D900,019 S *	10/2020	Araki	.....	D13/103
D900,021 S *	10/2020	Shen	.....	D13/103
D918,131 S *	5/2021	Suzuki	.....	D13/103
D927,416 S *	8/2021	Chen	.....	D13/103
D928,698 S *	8/2021	Kim	.....	D13/103
D931,199 S *	9/2021	Gallagher	.....	D13/103
D938,248 S *	12/2021	Howell	.....	D8/70
D938,346 S *	12/2021	Kuehne	.....	D13/103
D938,347 S *	12/2021	Lu	.....	D13/103

**OTHER PUBLICATIONS**

Electric Motors. (Design—© Questel) orbit.com. [Online PDF compilation of references] 54 pgs. Print Dates Range Jul. 29, 2021–Feb. 25, 2021 [Retrieved Dec. 21, 2021].\*

Kapoor, Ajay. Mechanical Design and Packaging of Battery Packs for Electric Vehicles. Feb. 11, 2018. Springer Link. [https://link.springer.com/chapter/10.1007/978-3-319-69950-9\\_8](https://link.springer.com/chapter/10.1007/978-3-319-69950-9_8).\*

Jeon, YoonCheol. Development of Battery Pack Design for High Power Li-Ion Battery Pack of HEV. 2007. The World Electric Vehicle Association Journal. file:///C:/Users/stisdell/Downloads/wevj-01-00094.pdf.\*

Aluminum Extrusion Applications in Battery Electric Vehicles and Hybrid Electric Vehicles. Apr. 28, 2020. Light Metal Age. <https://www.lightmetage.com/resources/patents/aluminum-extrusion-applications-in-battery-electric-vehicles-bevs-and-hybrid-electric-vehicles-hevs/>.\*

\* cited by examiner

*Primary Examiner* — Manpreet S Matharu

*Assistant Examiner* — Suzanne E Tisdell

(74) *Attorney, Agent, or Firm* — Chernoff, Vilhauer, McClung & Stenzel, LLP

(57) **CLAIM**

The new and ornamental design for an electric motor, as shown and described.

**DESCRIPTION**

FIG. 1 is a perspective top view of the electric motor showing our new design;

FIG. 2 is a top view thereof;

FIG. 3 is a bottom view thereof;

FIG. 4 is a front view thereof.

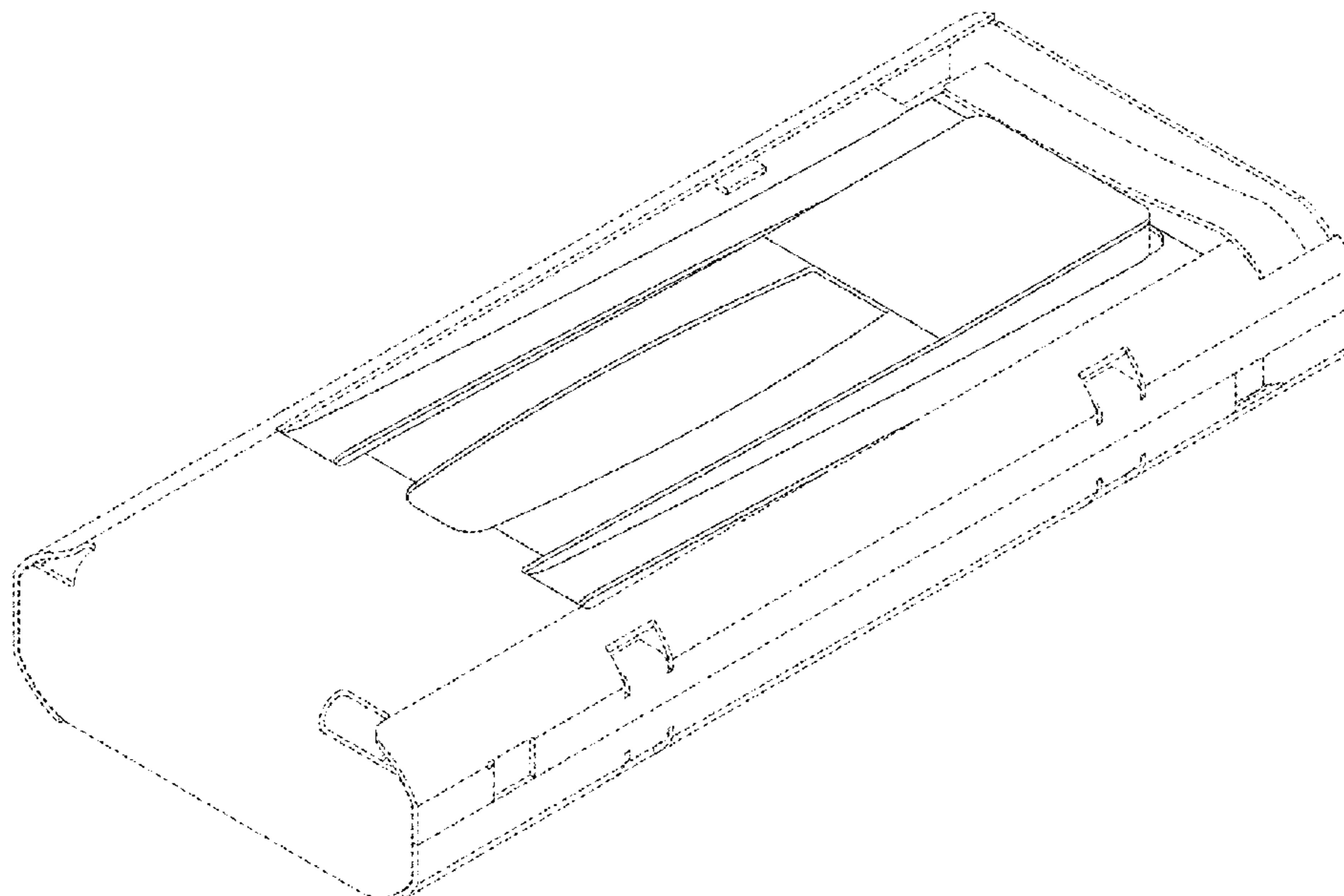
FIG. 5 is a rear view thereof;

FIG. 6 is a left view thereof; and,

FIG. 7 is a right view thereof.

The broken lines show unclaimed subject matter and form no part of the claimed subject matter.

**1 Claim, 7 Drawing Sheets**



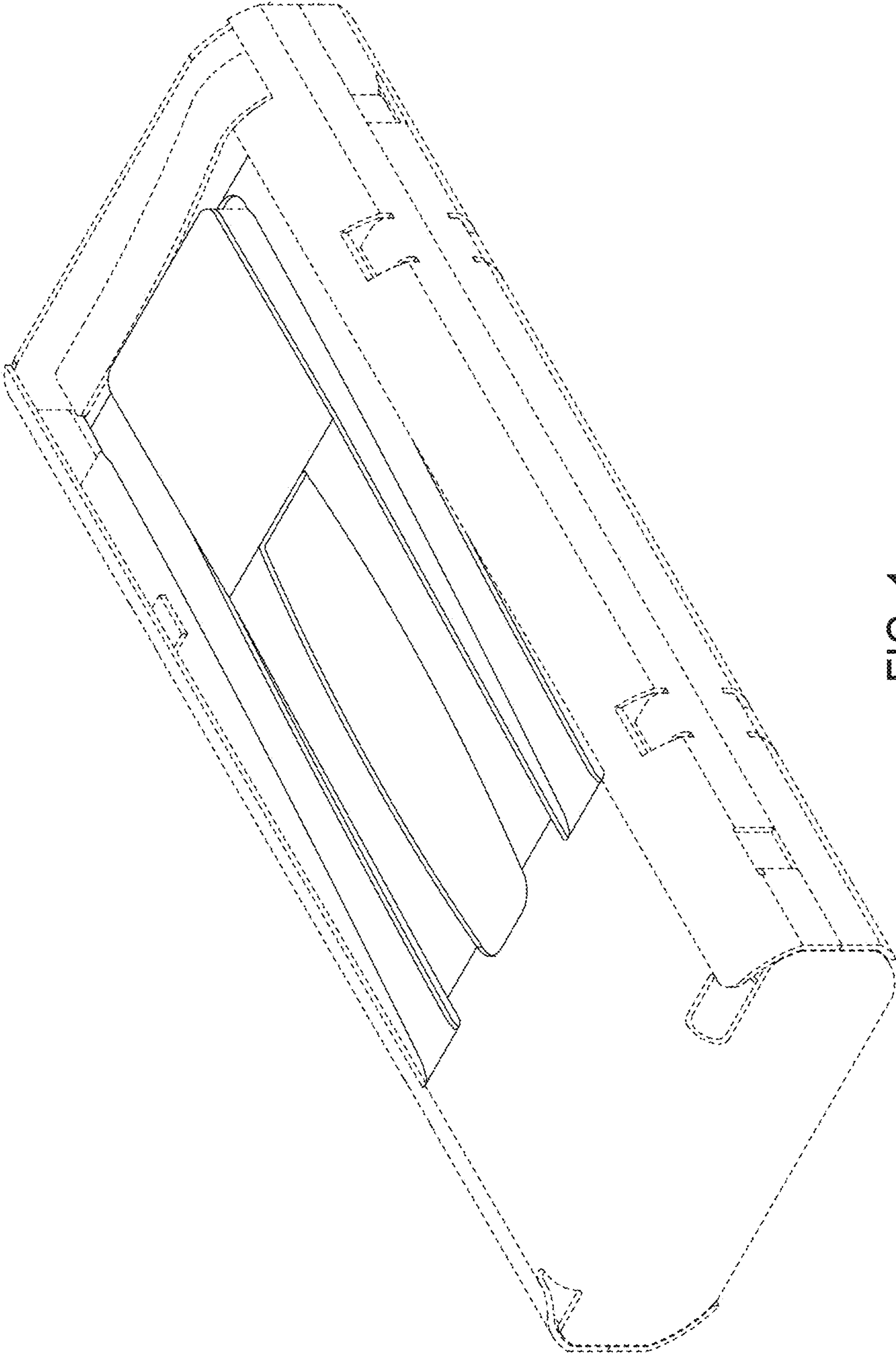


FIG. 1

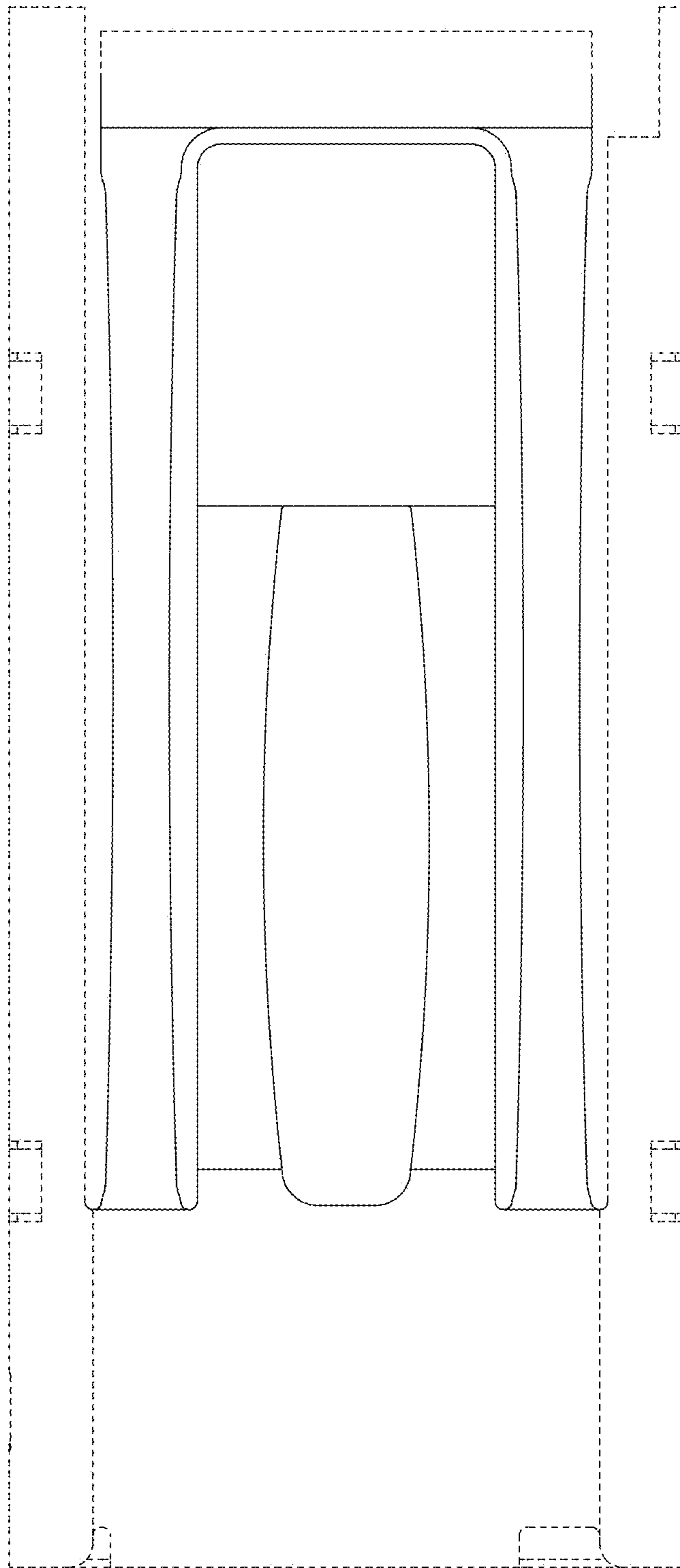


FIG. 2

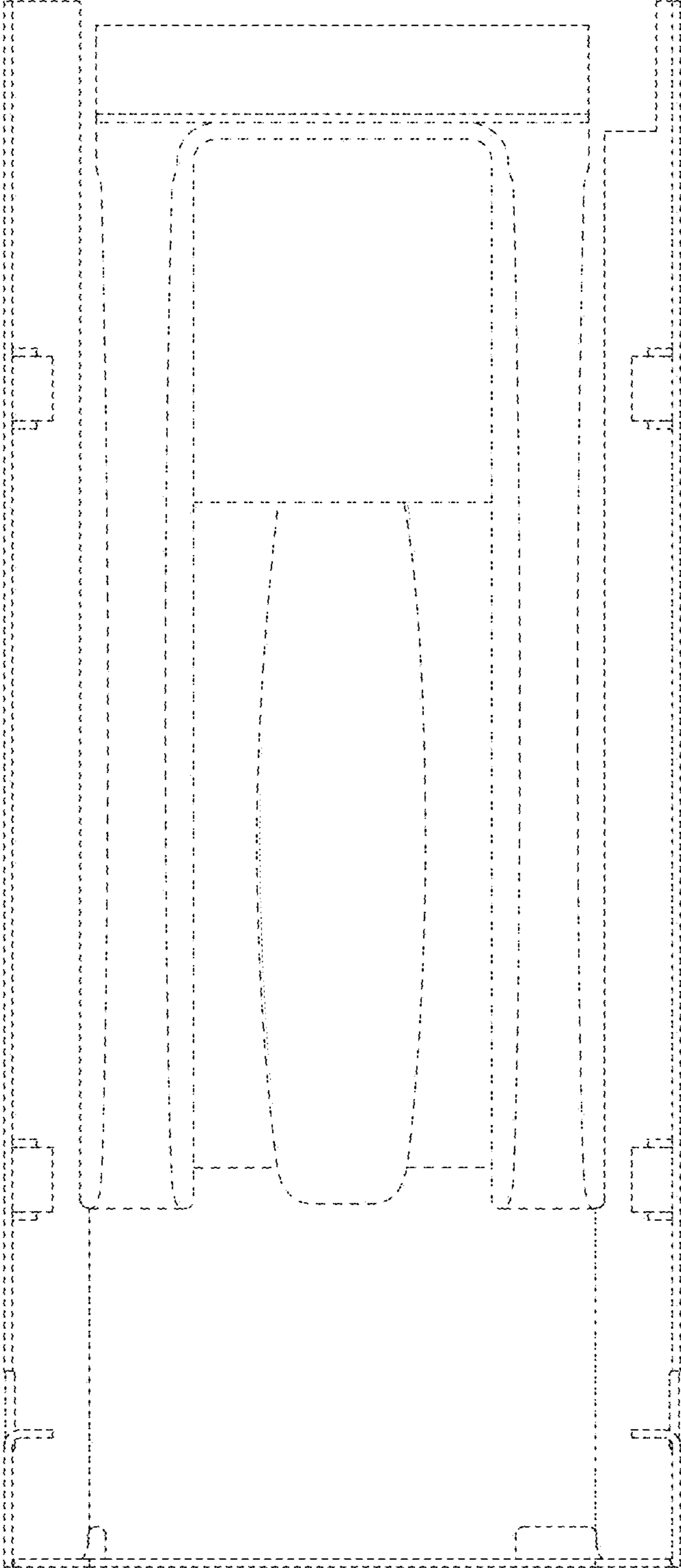


FIG. 3



FIG. 4

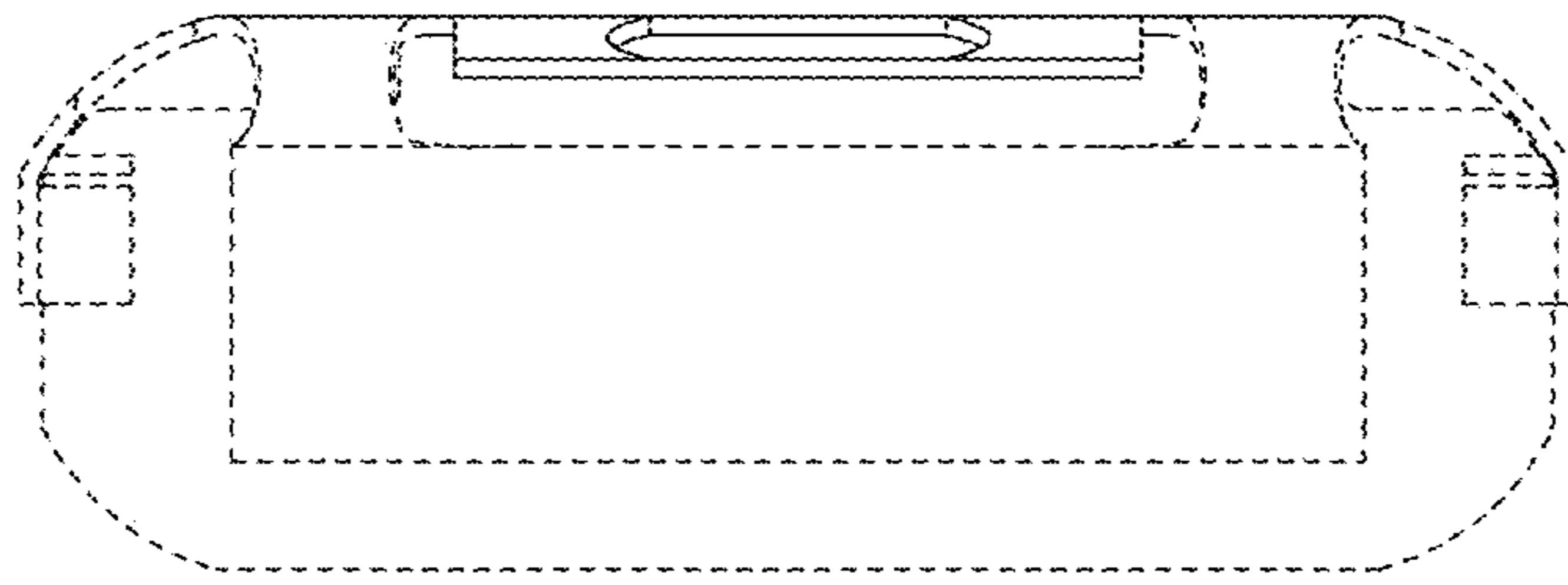


FIG. 5

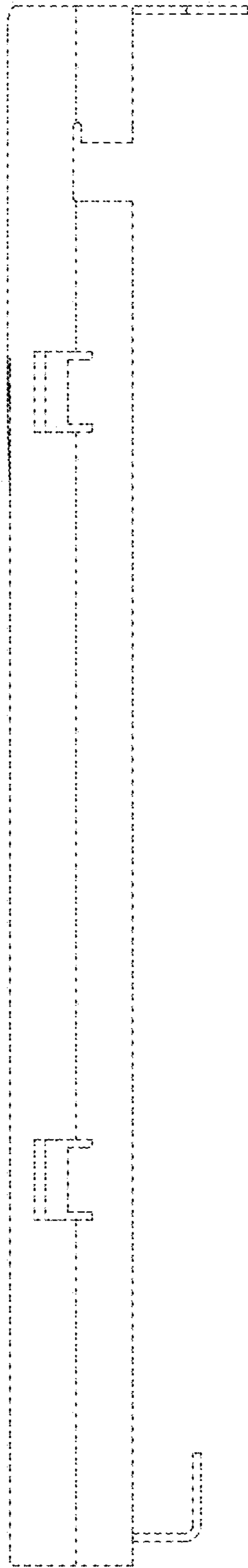


FIG. 6

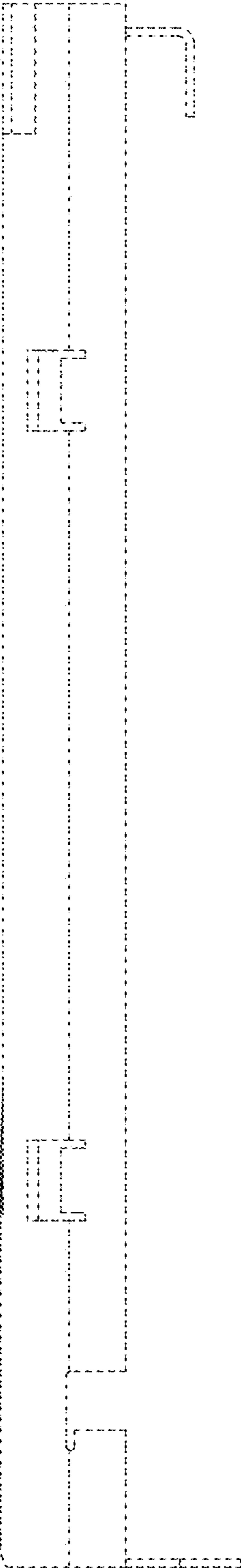


FIG. 7