



US00D960087S

(12) **United States Design Patent**  
**Liu**

(10) **Patent No.:** **US D960,087 S**  
(45) **Date of Patent:** **\*\* Aug. 9, 2022**

(54) **BATTERY CASE FOR ELECTRONIC CIGARETTE**

(71) Applicant: **Tuanfang Liu**, Shenzhen (CN)

(72) Inventor: **Tuanfang Liu**, Shenzhen (CN)

(\*\*) Term: **15 Years**

(21) Appl. No.: **29/732,610**

(22) Filed: **Apr. 26, 2020**

(30) **Foreign Application Priority Data**

Nov. 1, 2019 (CN) ..... 201930600963.9

(51) **LOC (13) Cl.** ..... **13-02**

(52) **U.S. Cl.**  
USPC ..... **D13/103; D27/172**

(58) **Field of Classification Search**  
USPC ..... D13/102, 103, 110, 118–121, 184, 199,  
D13/108; D3/274, 302; D27/167, 172,  
D27/193, 194  
CPC .... H01M 50/10; H01M 50/107; H01M 50/20;  
H01M 50/557; H01M 50/209; H01M  
50/213; H01M 50/502; H01M 50/103;  
H01M 50/204

See application file for complete search history.

(56) **References Cited**

**U.S. PATENT DOCUMENTS**

4,993,435 A \* 2/1991 McCann ..... A24F 13/16  
131/213  
D433,532 S \* 11/2000 Higgins ..... D27/194  
D654,429 S \* 2/2012 Li ..... D13/103  
D765,594 S \* 9/2016 Li ..... D13/103  
D769,520 S \* 10/2016 Hua ..... D27/167  
D776,051 S \* 1/2017 Wang ..... D27/101  
D800,058 S \* 10/2017 Qiu ..... D13/103  
D805,028 S \* 12/2017 Liu ..... D27/101

D805,470 S \* 12/2017 Qiu ..... D13/103  
D807,286 S \* 1/2018 Qiu ..... D13/103  
D829,982 S \* 10/2018 Wang ..... D27/167  
D842,237 S \* 3/2019 Qiu ..... D27/101  
D842,238 S \* 3/2019 Qiu ..... D27/101  
D861,594 S \* 10/2019 Lai ..... D12/167  
D870,034 S \* 12/2019 Lai ..... D27/101  
D885,332 S \* 5/2020 Han ..... D27/194  
D889,740 S \* 7/2020 Beer ..... D27/194  
D892,039 S \* 8/2020 Chen ..... D13/103  
D906,954 S \* 1/2021 Ouyang ..... D27/101  
D917,381 S \* 4/2021 Ouyang ..... D27/162  
D917,382 S \* 4/2021 Qiu ..... D13/103  
D929,035 S \* 8/2021 Liu ..... D27/162  
D933,592 S \* 10/2021 Liu ..... D13/103  
D936,569 S \* 11/2021 Liu ..... D27/101  
D943,187 S \* 2/2022 Liu ..... D27/172

\* cited by examiner

*Primary Examiner* — Rosemary K Tarcza  
(74) *Attorney, Agent, or Firm* — Matthias Scholl P.C.;  
Matthias Scholl

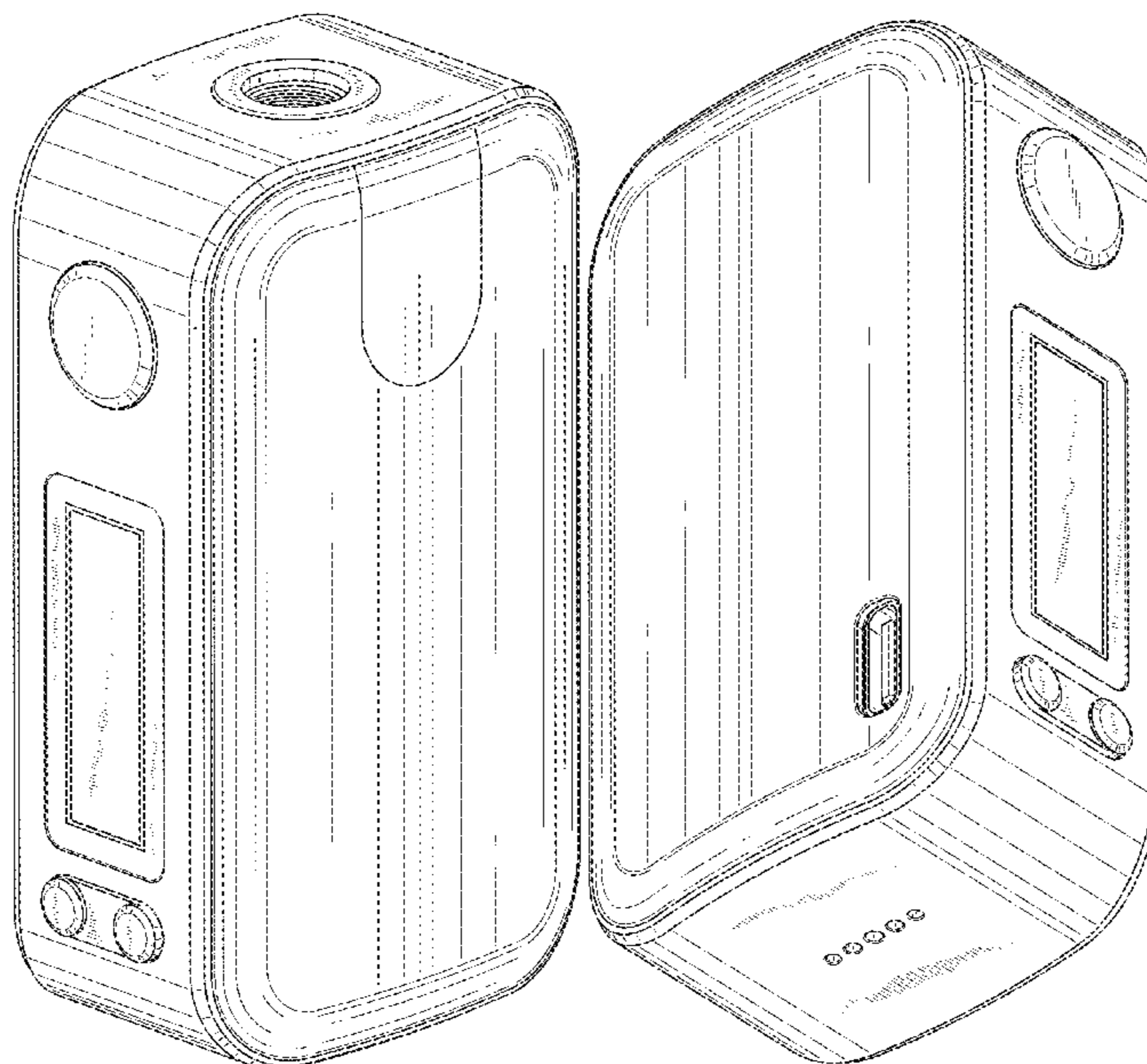
(57) **CLAIM**

The ornamental design for a battery case for an electronic cigarette, as shown and described.

**DESCRIPTION**

FIG. 1 is a front elevation view of a battery case for an electronic cigarette;  
FIG. 2 is a rear elevation view thereof;  
FIG. 3 is a left-side elevation view thereof;  
FIG. 4 is a right-side elevation view thereof;  
FIG. 5 is a top plan view thereof;  
FIG. 6 is a bottom plan view thereof;  
FIG. 7 is a perspective view thereof; and,  
FIG. 8 is a bottom perspective view thereof.  
The broken lines depict portions of the article that form no part of the claimed design.

**1 Claim, 8 Drawing Sheets**



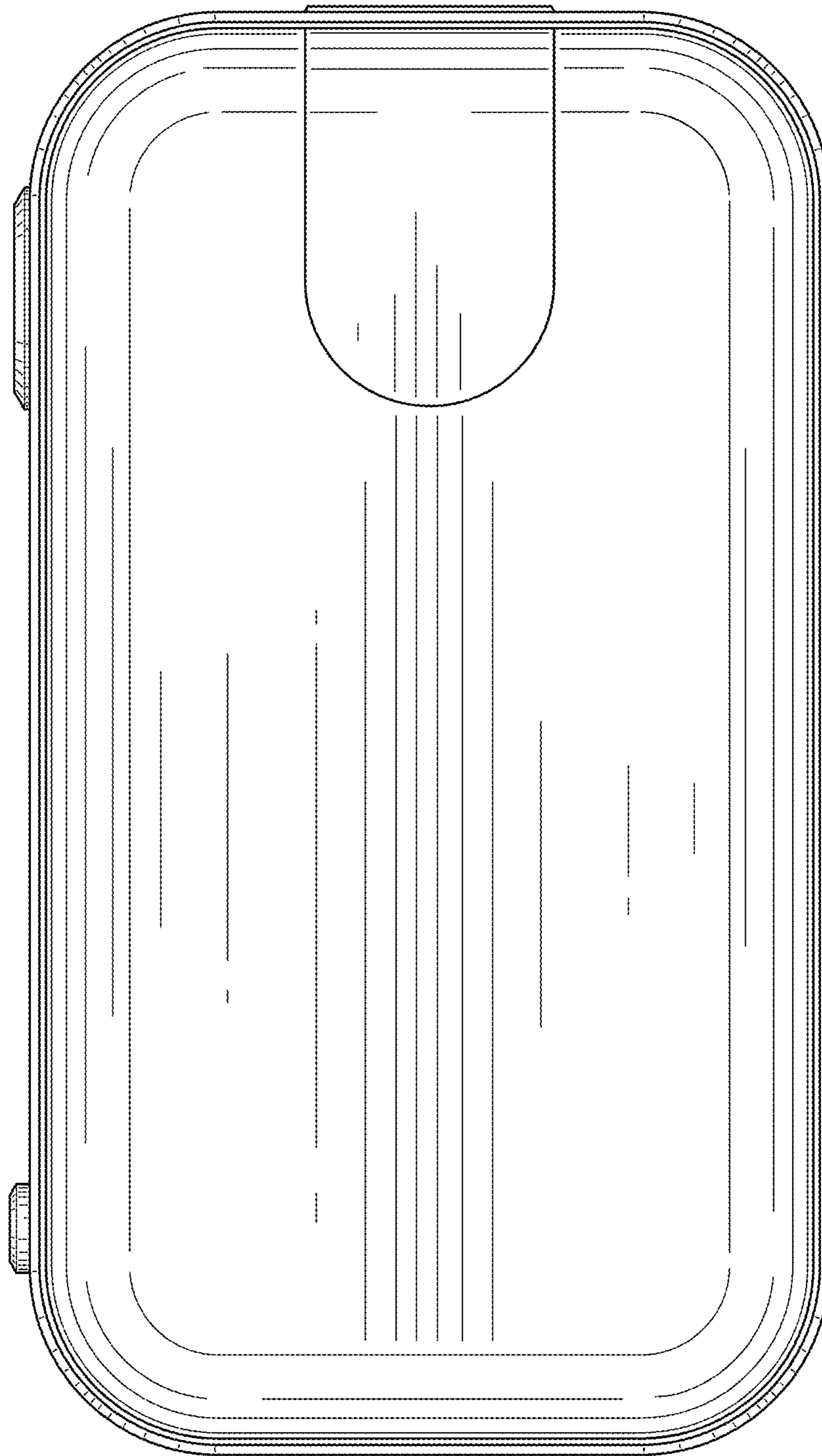


FIG. 1

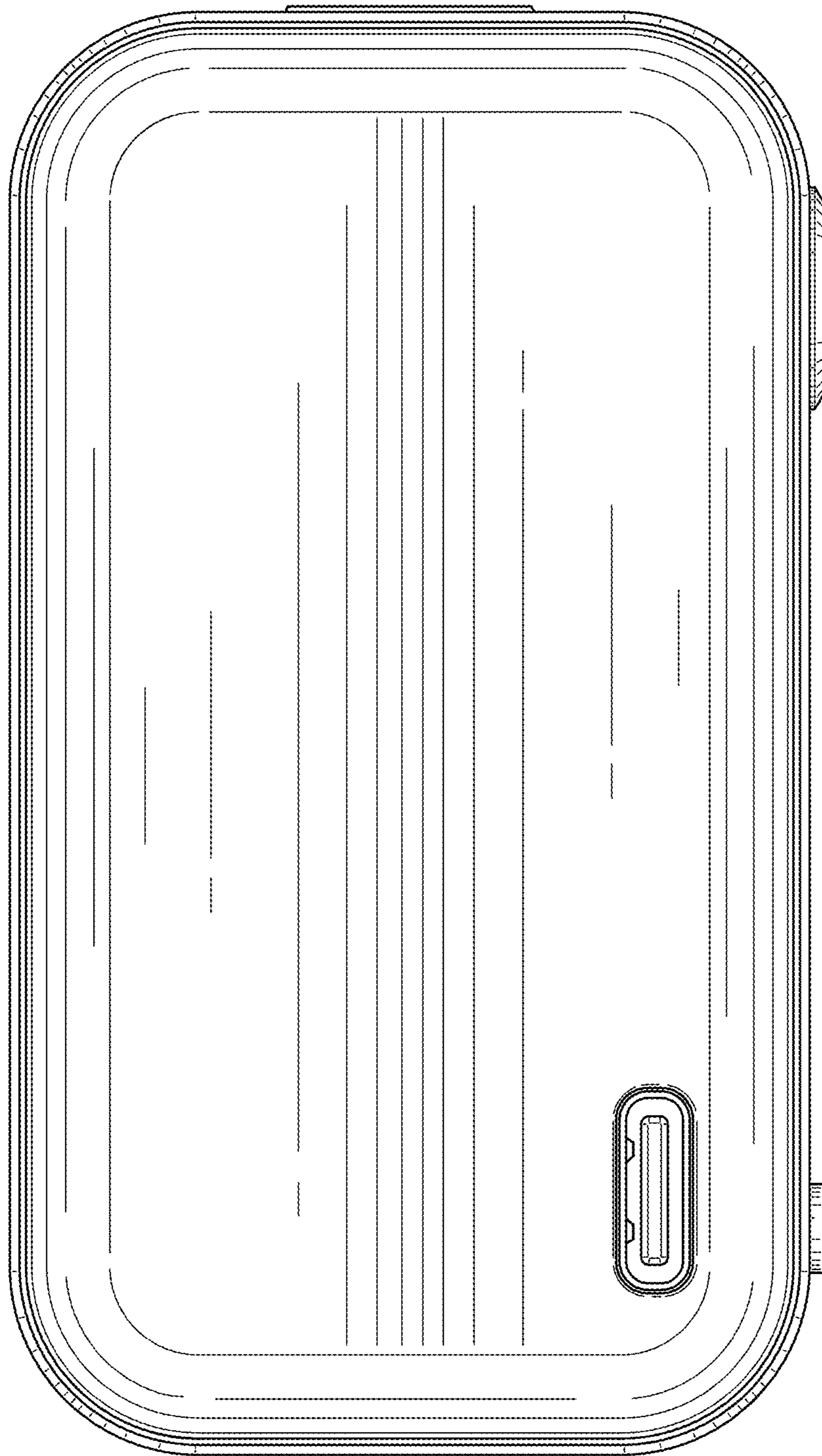


FIG. 2

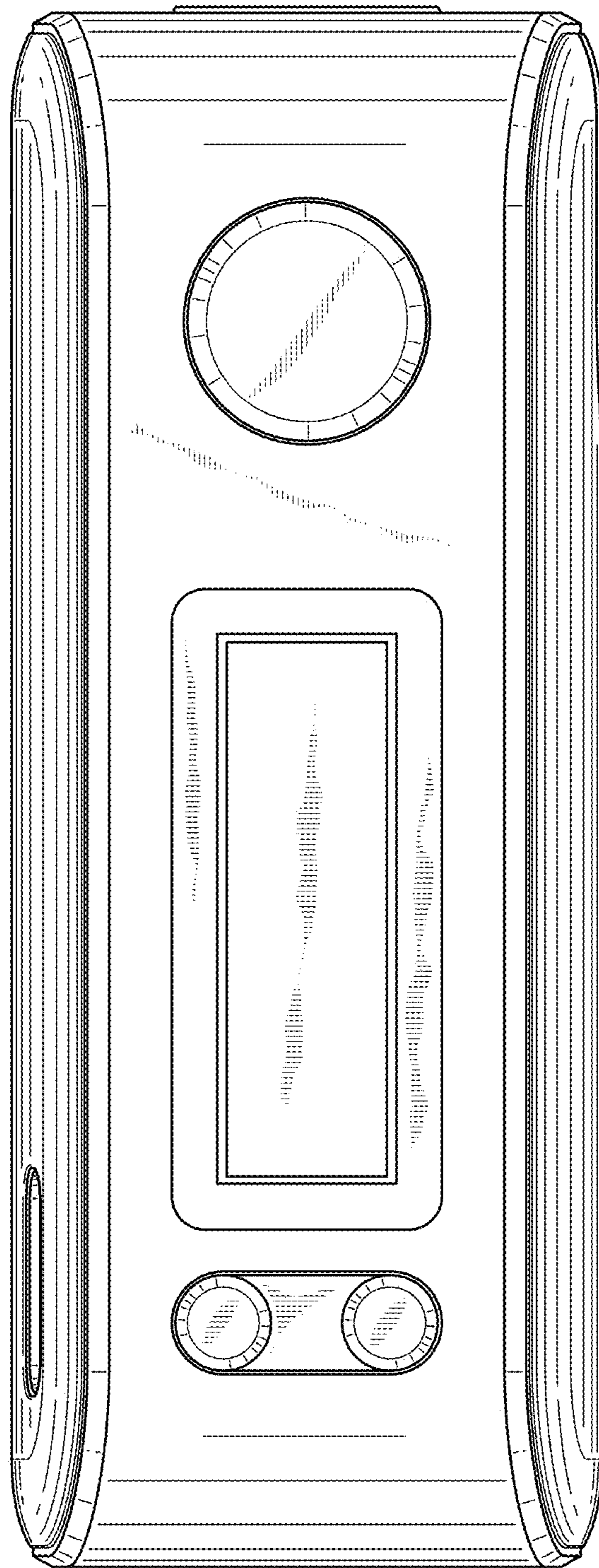


FIG. 3

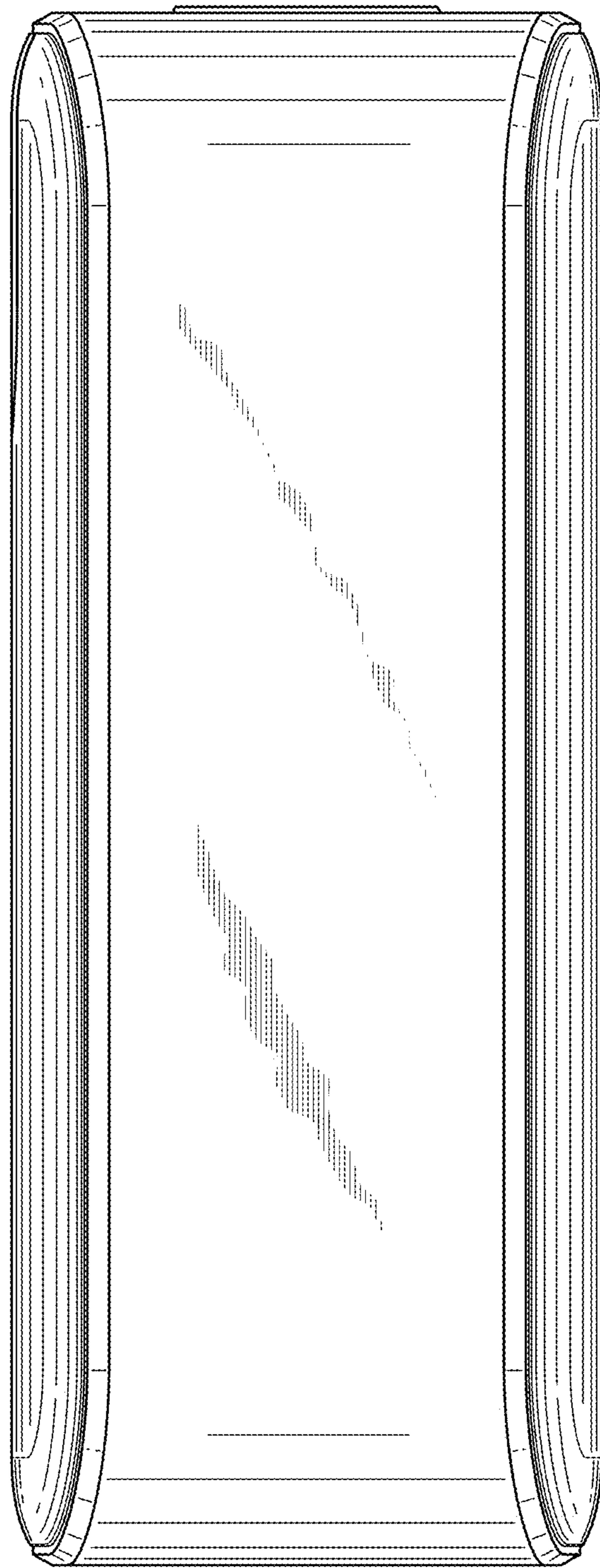


FIG. 4

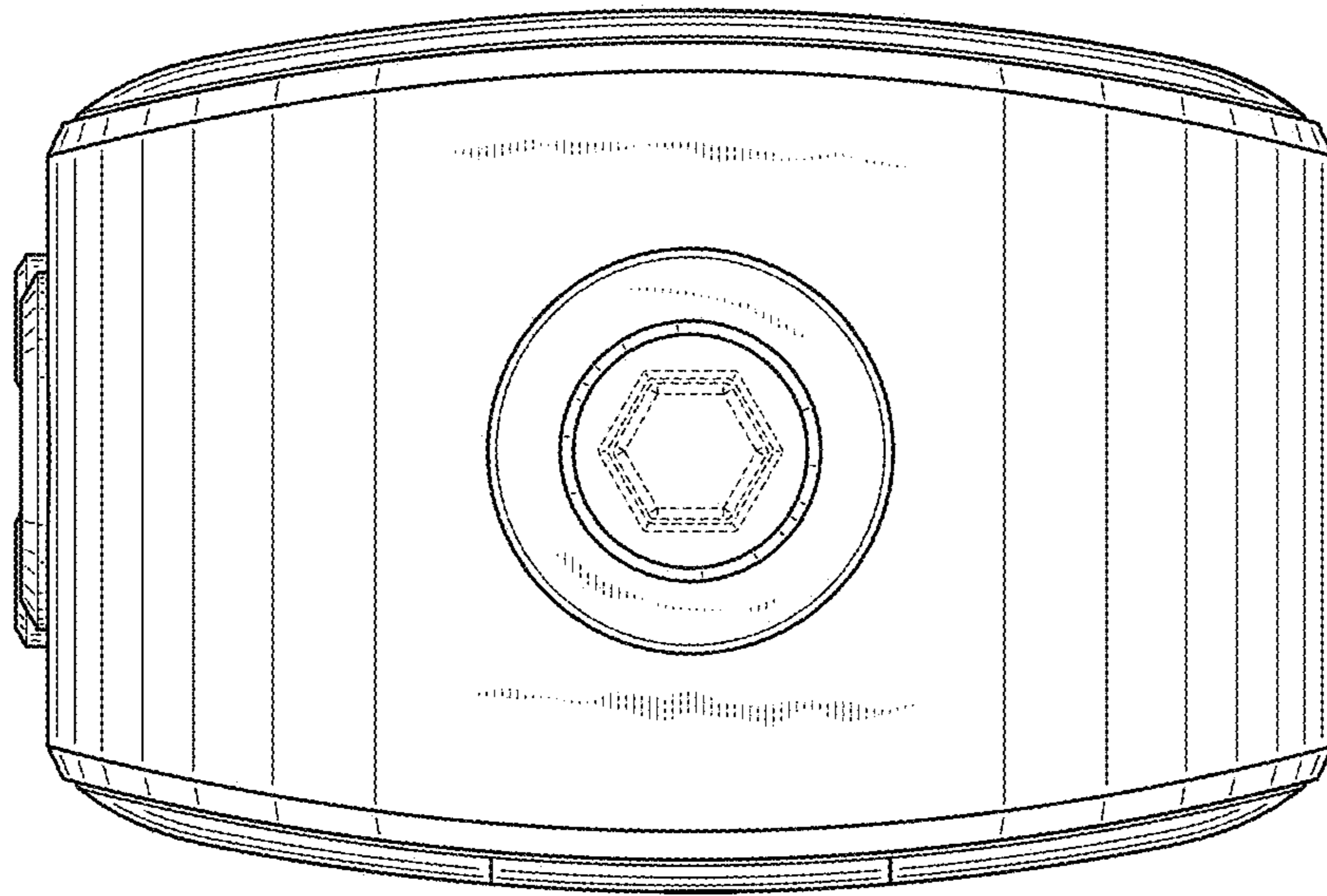


FIG. 5

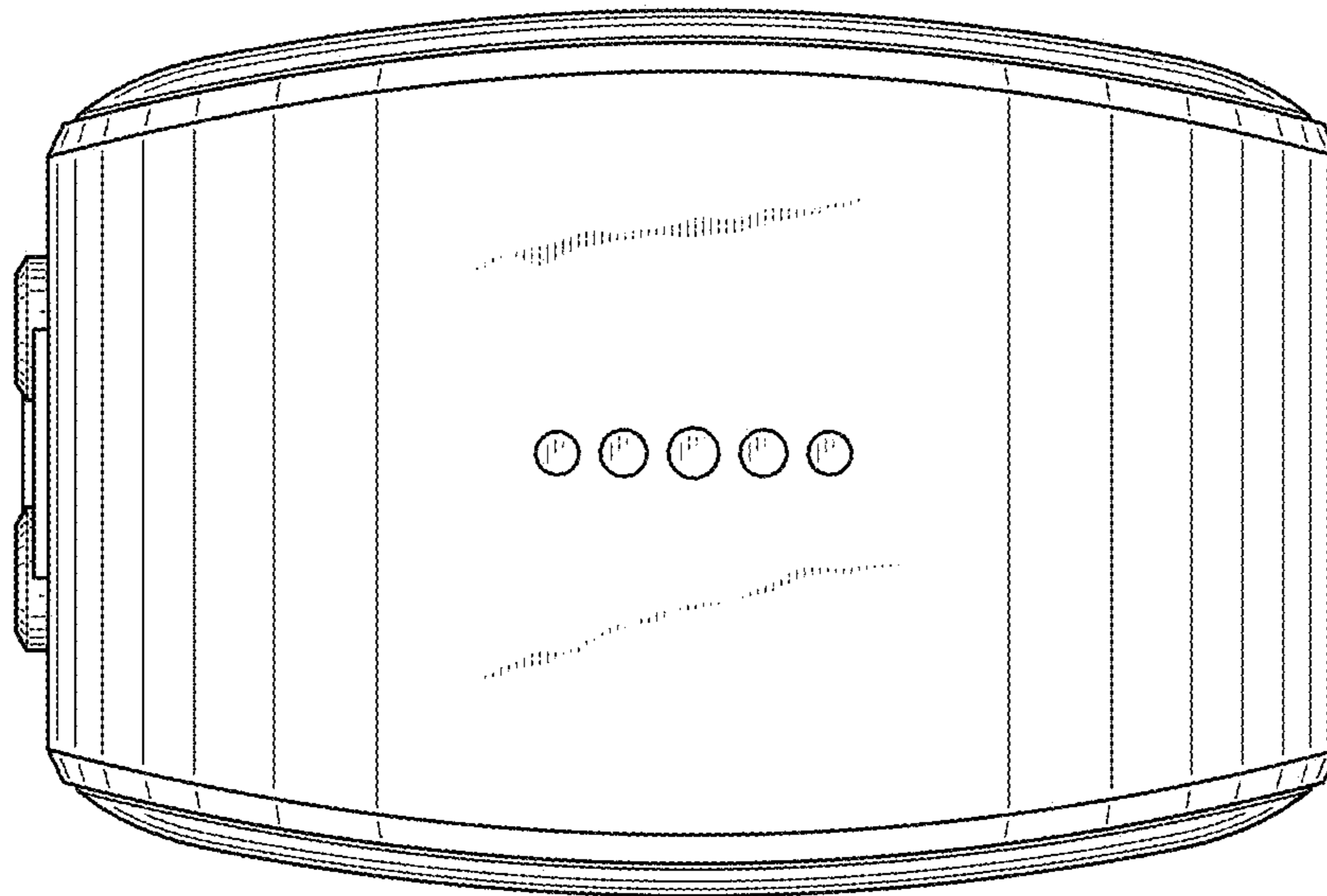


FIG. 6

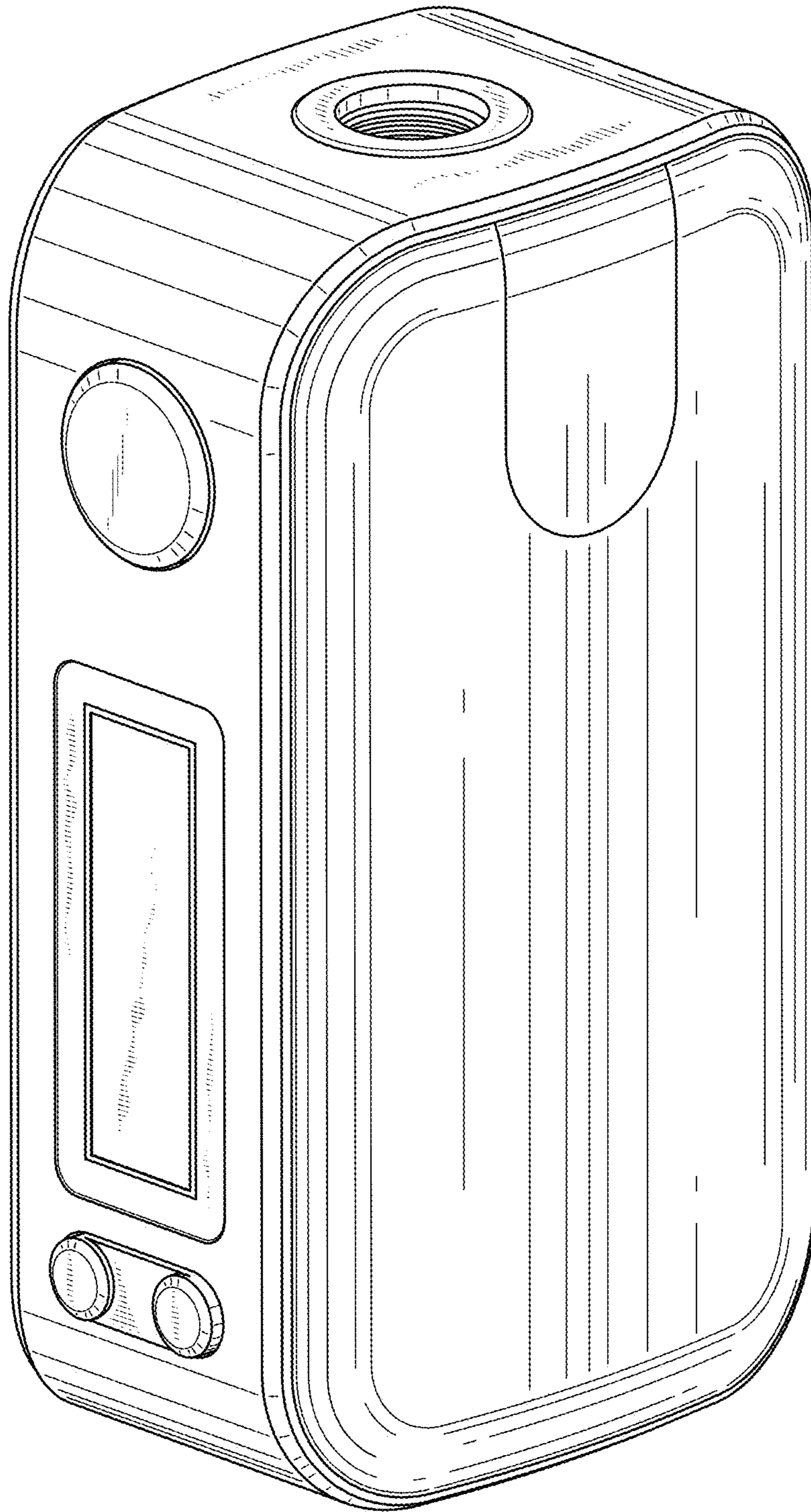


FIG. 7



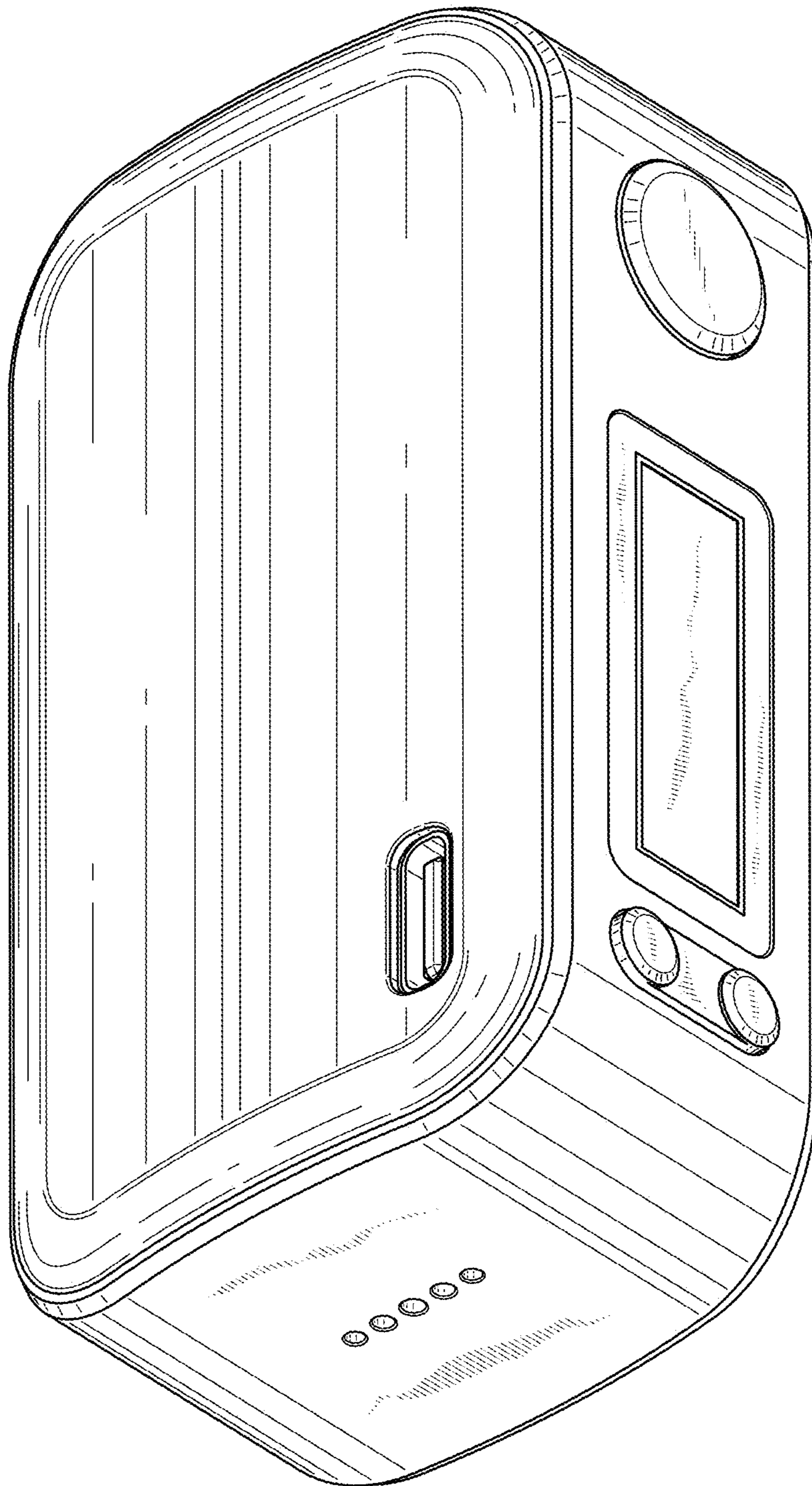


FIG. 8