



US00D960085S

(12) **United States Design Patent**
Siciliano

(10) **Patent No.:** **US D960,085 S**

(45) **Date of Patent:** **** Aug. 9, 2022**

(54) **TATTOO MACHINE BATTERY POWER SUPPLY**

D808,334 S * 1/2018 Dingle D13/103
10,052,469 B2 8/2018 Chan et al.
10,220,195 B2 3/2019 O'Brien

(Continued)

(71) Applicant: **FK Irons Inc.**, Doral, FL (US)

(72) Inventor: **Gaston Siciliano**, Doral, FL (US)

(73) Assignee: **FK Irons Inc.**, Doral, FL (US)

(**) Term: **15 Years**

(21) Appl. No.: **29/726,441**

(22) Filed: **Mar. 3, 2020**

(51) **LOC (13) Cl.** **13-02**

(52) **U.S. Cl.**
USPC **D13/103**

(58) **Field of Classification Search**
USPC D13/102-106, 110, 118-119, 184
CPC Y02E 60/10; H01M 6/00; H01M 6/14;
H01M 6/05; H01M 6/10; H01M 10/052;
H01R 13/66

See application file for complete search history.

(56) **References Cited**

U.S. PATENT DOCUMENTS

4,204,438	A	5/1980	Binaris	
4,914,988	A	4/1990	Chen	
5,165,488	A	11/1992	Liu	
6,550,356	B1	4/2003	Underwood	
D484,851	S *	1/2004	Voli	D13/103
7,393,114	B2	7/2008	Devlin	
D574,326	S *	8/2008	Lim	D13/110
D618,167	S *	6/2010	Tiffe	D13/103
8,228,666	B2	7/2012	Rickard	
8,393,249	B2	3/2013	Godoy	
D700,138	S *	2/2014	Walz	D13/103
D703,825	S	4/2014	Barrett	
9,433,767	B2	9/2016	Colton et al.	
9,452,281	B2	9/2016	Chan	
9,662,483	B2	5/2017	Siciliano	

FOREIGN PATENT DOCUMENTS

AU 2019359618 5/2020
CA 1283458 4/1991

(Continued)

OTHER PUBLICATIONS

Maxon Motors, "Inked to precision," dated Jan. 27, 2015, document of 3 pages.

(Continued)

Primary Examiner — Rosemary K Tarcza

(74) *Attorney, Agent, or Firm* — Akerman LLP; Peter A. Chiabotti

(57) **CLAIM**

The ornamental design for a tattoo machine battery power supply, as shown and described.

DESCRIPTION

FIG. 1 is an isometric view of a tattoo machine battery power supply in accordance with the present invention.

FIG. 2 is a left side elevational view thereof.

FIG. 3 is a right side elevational view thereof, which is a mirror image of the left side.

FIG. 4 is a bottom plan view thereof.

FIG. 5 is a top plan view thereof.

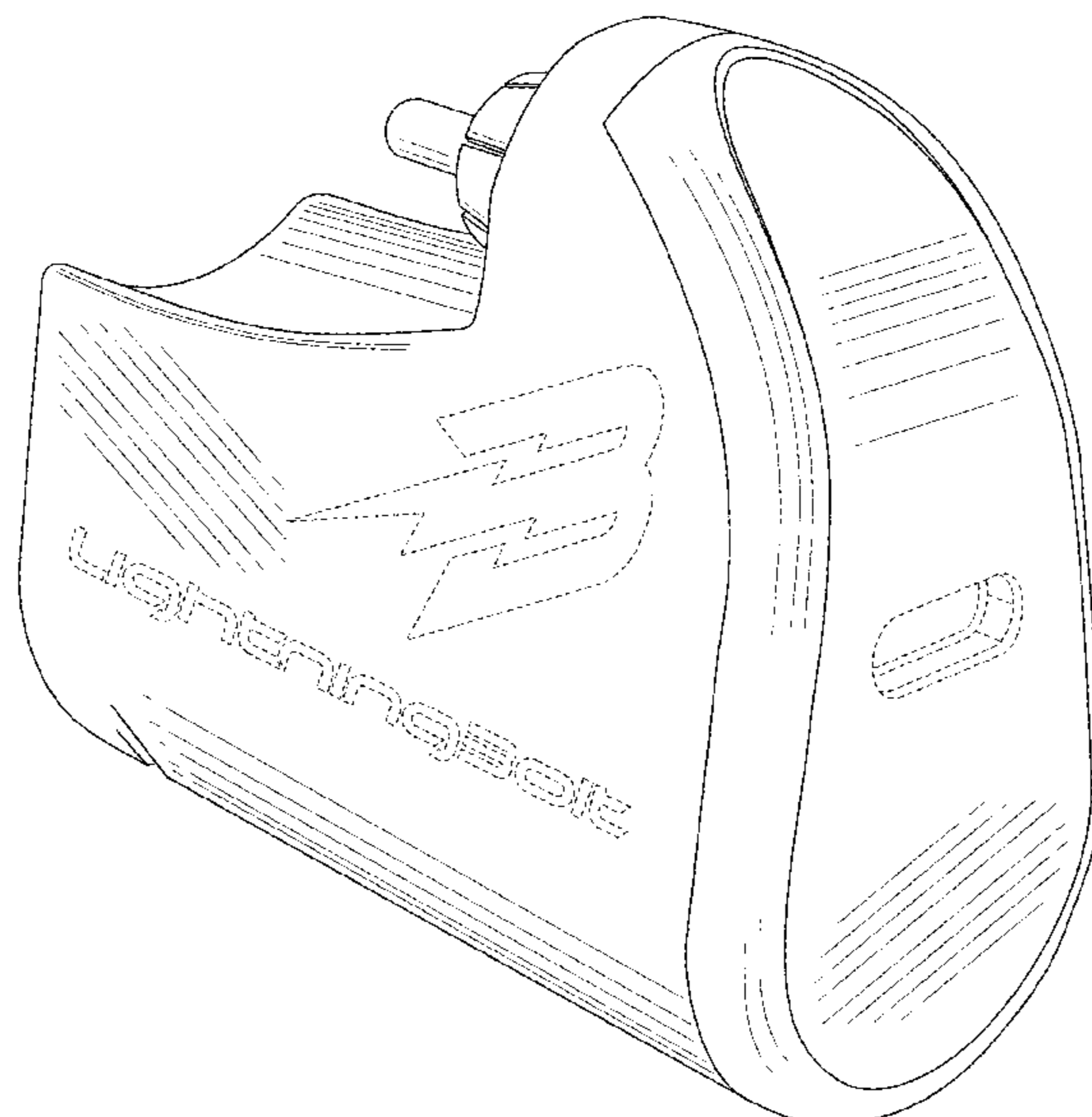
FIG. 6 is a front elevational view thereof.

FIG. 7 is a rear elevational view thereof; and,

FIG. 8 is an isometric view of a tattoo machine battery power supply connected to a tattoo machine.

The broken lines in the drawings illustrate environmental structure and portions of the article that form no part of the claimed design.

1 Claim, 8 Drawing Sheets



(56)

References Cited

U.S. PATENT DOCUMENTS

10,220,196	B2	3/2019	Johansson	
10,226,611	B1	3/2019	Collias	
D845,377	S *	4/2019	Masano	D16/242
10,471,246	B1	11/2019	Lipscomb	
D892,038	S *	8/2020	Chen	D13/103
10,898,704	B2	1/2021	Vescovi	
D910,846	S	2/2021	Siciliano	
2004/0230157	A1	11/2004	Perry	
2005/0090851	A1	4/2005	Devlin	
2008/0300615	A1	12/2008	Colton	
2010/0072827	A1	3/2010	Norstrom	
2010/0241151	A1	9/2010	Rickard	
2012/0024114	A1	2/2012	Vazquez	
2013/0096599	A1	4/2013	Colton	
2014/0094837	A1	4/2014	Danenberg	
2014/0220403	A1	8/2014	Ro	
2014/0324089	A1	10/2014	Chan	
2015/0202420	A1	7/2015	Miller	
2015/0352346	A1	12/2015	Webb	
2015/0367118	A1	12/2015	Scherkowski	
2016/0074645	A1	3/2016	Siciliano	
2016/0121093	A1	5/2016	Fan	
2016/0263365	A1	9/2016	Smith	
2017/0007814	A1	1/2017	Chan	
2017/0021154	A1 *	1/2017	Johansson	A61M 37/0076
2017/0157382	A1	6/2017	Siciliano	
2017/0173319	A1 *	6/2017	McGuire	A61M 37/0076
2018/0000419	A1	1/2018	Rassman	
2018/0013175	A1	1/2018	Liu	
2018/0043146	A1 *	2/2018	Vescovi	A61M 37/0076
2018/0056054	A1	3/2018	Siciliano	
2018/0056055	A1	3/2018	Rutherford	
2018/0200035	A1	7/2018	Gagliano	
2018/0369553	A1	12/2018	Siciliano	
2019/0053465	A1	2/2019	Knight	
2020/0038158	A1	2/2020	Gagliano	
2020/0114137	A1	4/2020	Siciliano	
2020/0306519	A1	10/2020	Smead et al.	

FOREIGN PATENT DOCUMENTS

CA	2412681	4/2007
CA	2678952	7/2011
CA	3027165	12/2017
CH	704096	5/2012
CN	2894616	5/2007
CN	201775864	3/2011
CN	202161682	3/2012
CN	202173684	3/2012
CN	202396478	8/2012
CN	302423215	5/2013
CN	302440966	5/2013
CN	302873288	7/2014
CN	204379980	6/2015
CN	204521979	8/2015

CN	303520153	12/2015
CN	303627771	3/2016
CN	303987311	12/2016
CN	106492344	3/2017
CN	106730312	5/2017
CN	106805951	6/2017
CN	206424423	8/2017
CN	107508966	12/2017
CN	206792803	12/2017
CN	206852920	1/2018
CN	206924246	1/2018
CN	206924247	1/2018
CN	107952197	4/2018
CN	304577923	4/2018
CN	108211104	6/2018
CN	304746903	7/2018
CN	107146970	8/2018
CN	305086769	3/2019
CN	305154130	5/2019
CN	305172441	5/2019
CN	210114742	2/2020
EP	1872823	1/2008
EP	1882491	10/2009
EP	2944349	11/2015
EP	2954927	12/2015
EP	3482793	5/2019
ES	1195334	10/2017
GB	2567804	5/2019
JP	3126886	11/2006
JP	6242956	12/2017
KR	20170129685	11/2017
KR	1020190045900	5/2019
SG	195416	12/2013
WO	2008002383	1/2008
WO	2008146294	12/2008
WO	2011163134	12/2011
WO	2015094042	6/2015
WO	2015156715	10/2015
WO	2017178070	10/2017
WO	2017189606	11/2017
WO	2017194336	11/2017
WO	2019106552	6/2019
WO	2019106553	6/2019
WO	2021127721	7/2021

OTHER PUBLICATIONS

Ink Machines, "Manual for TPS-500," dated May 25, 2018, document of 39 pages.

112. Maxon Motors, "Driven", dated Feb. 2014, document of 7 pages.

Facebook.com, "Battery Pack For Wireless Tattooing," Jan. 18, 2019, 10 pages.

Webarchive.org, "Unchained Battery Operated," dated Jan. 21, 2015, 1 page.

Instagram, "FK Irons Spektra Xion," dated Jun. 2018, 3 pages.

* cited by examiner

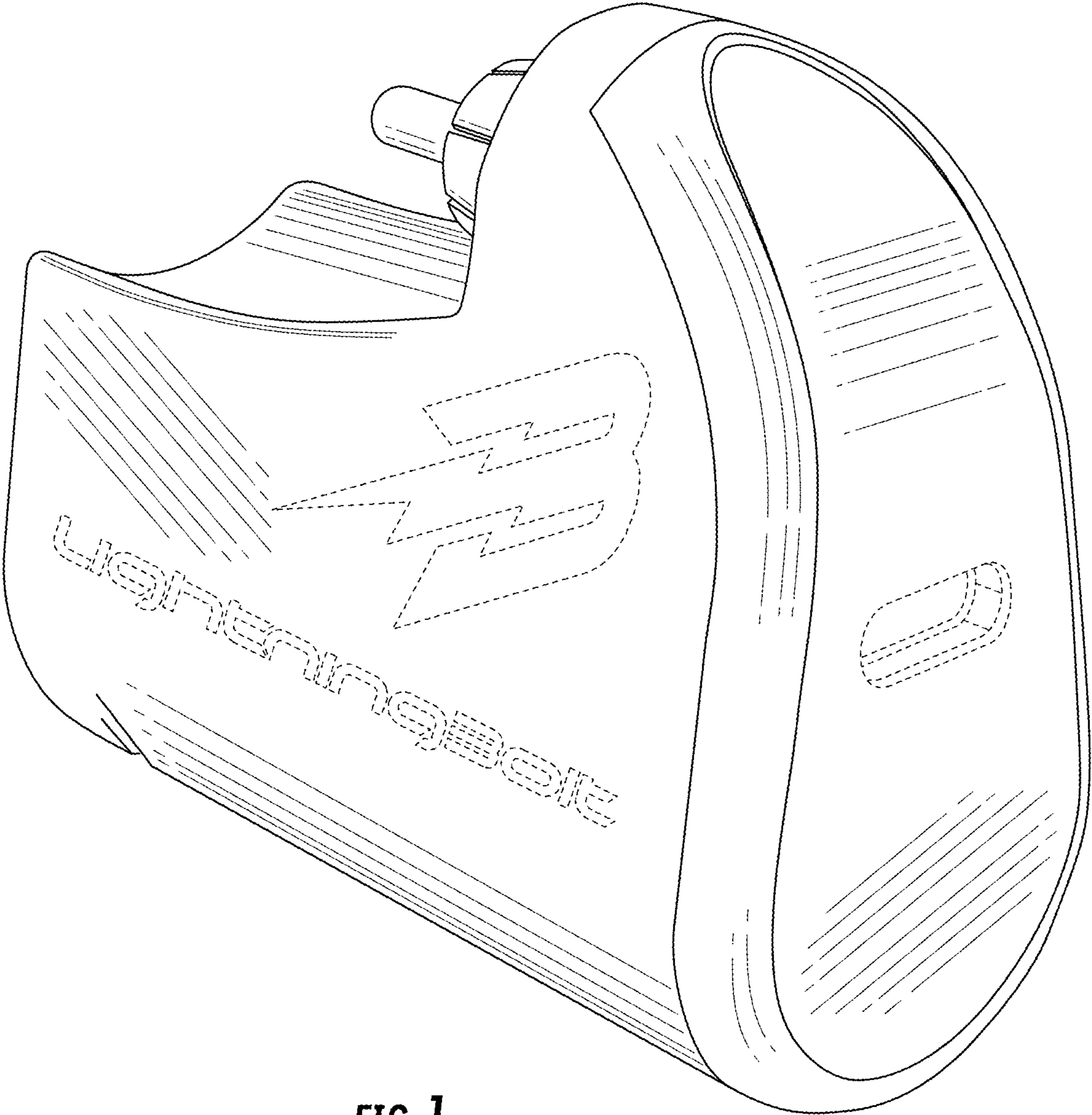


FIG. 1

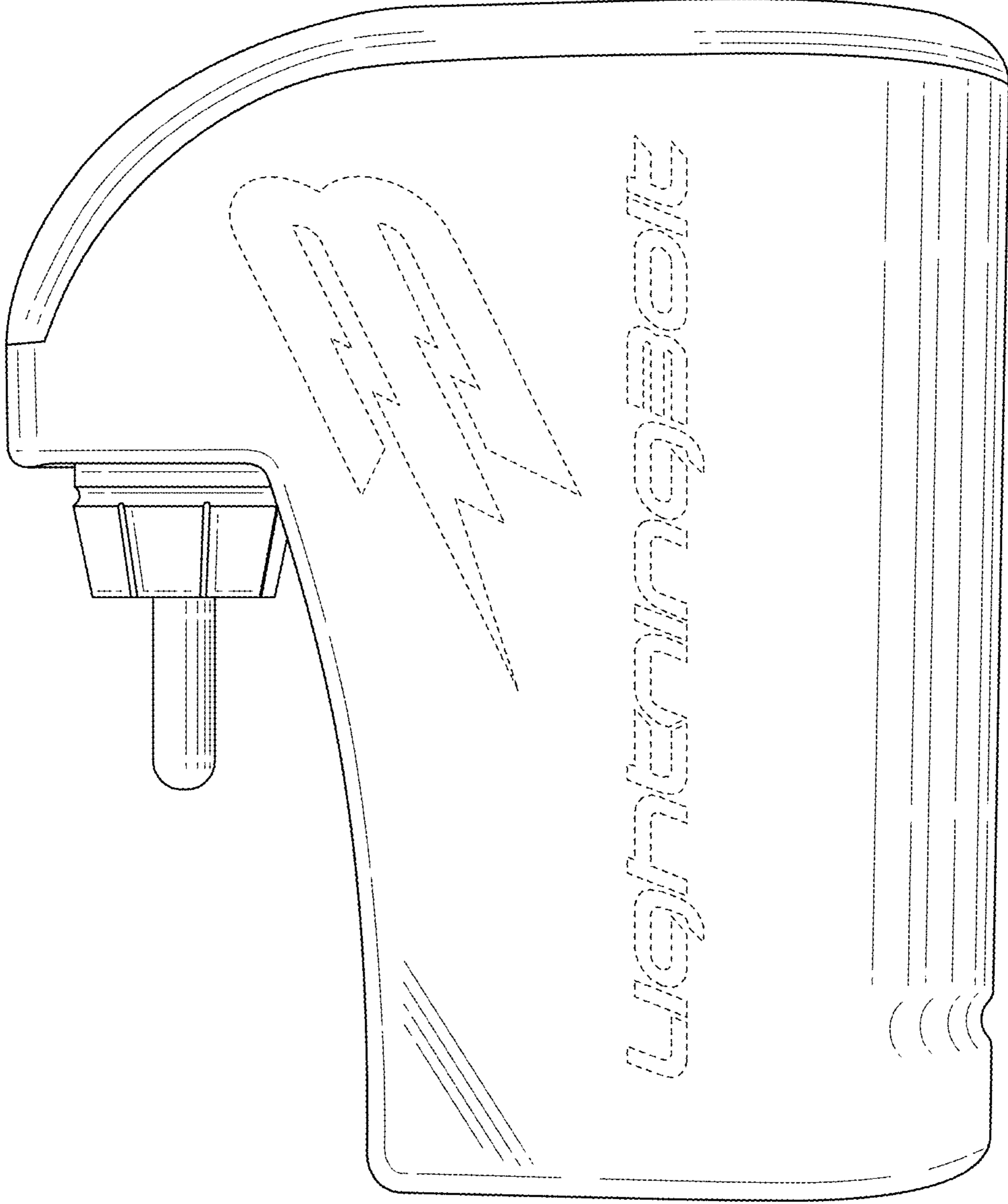


FIG. 2

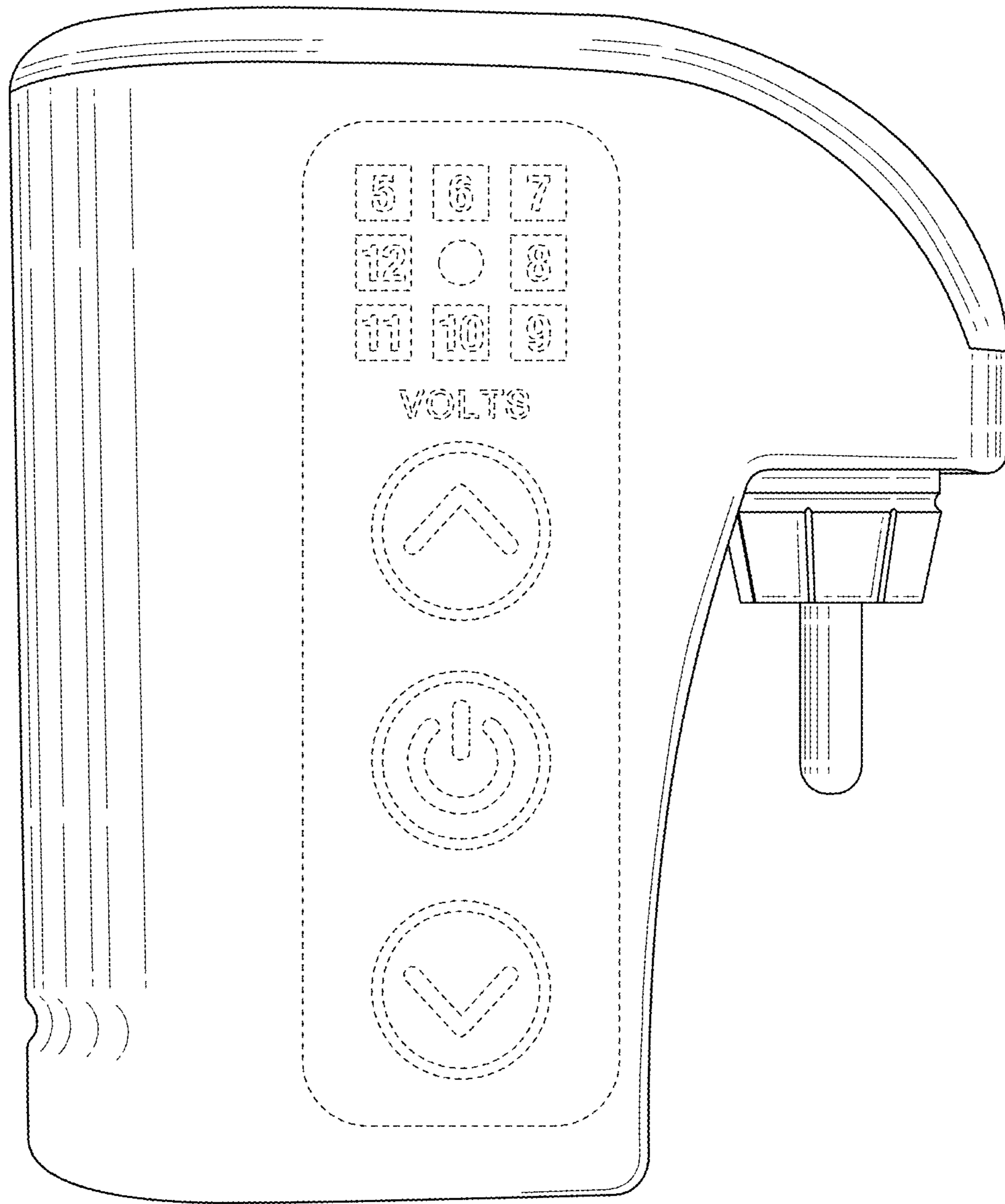


FIG. 3

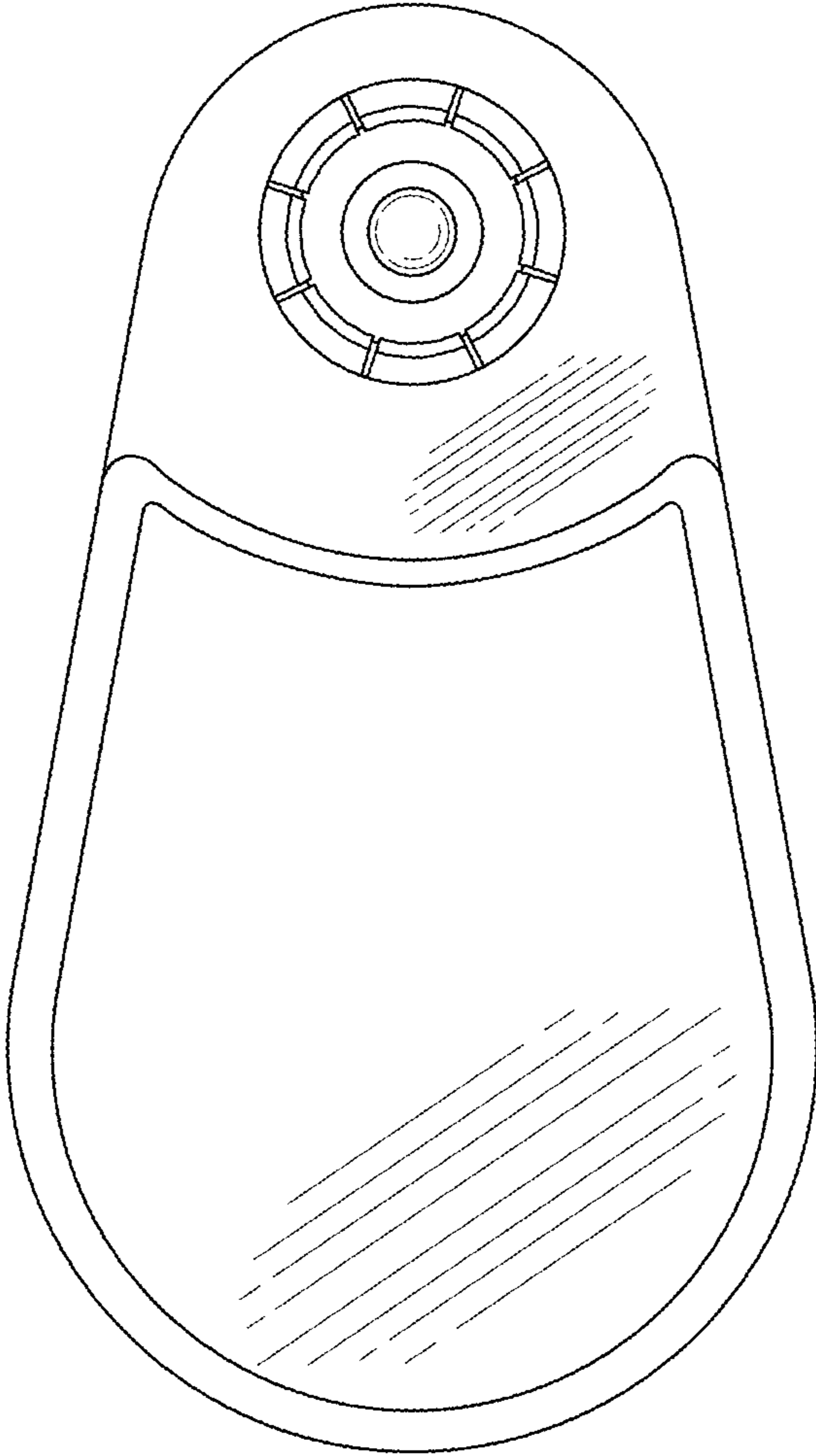


FIG. 4

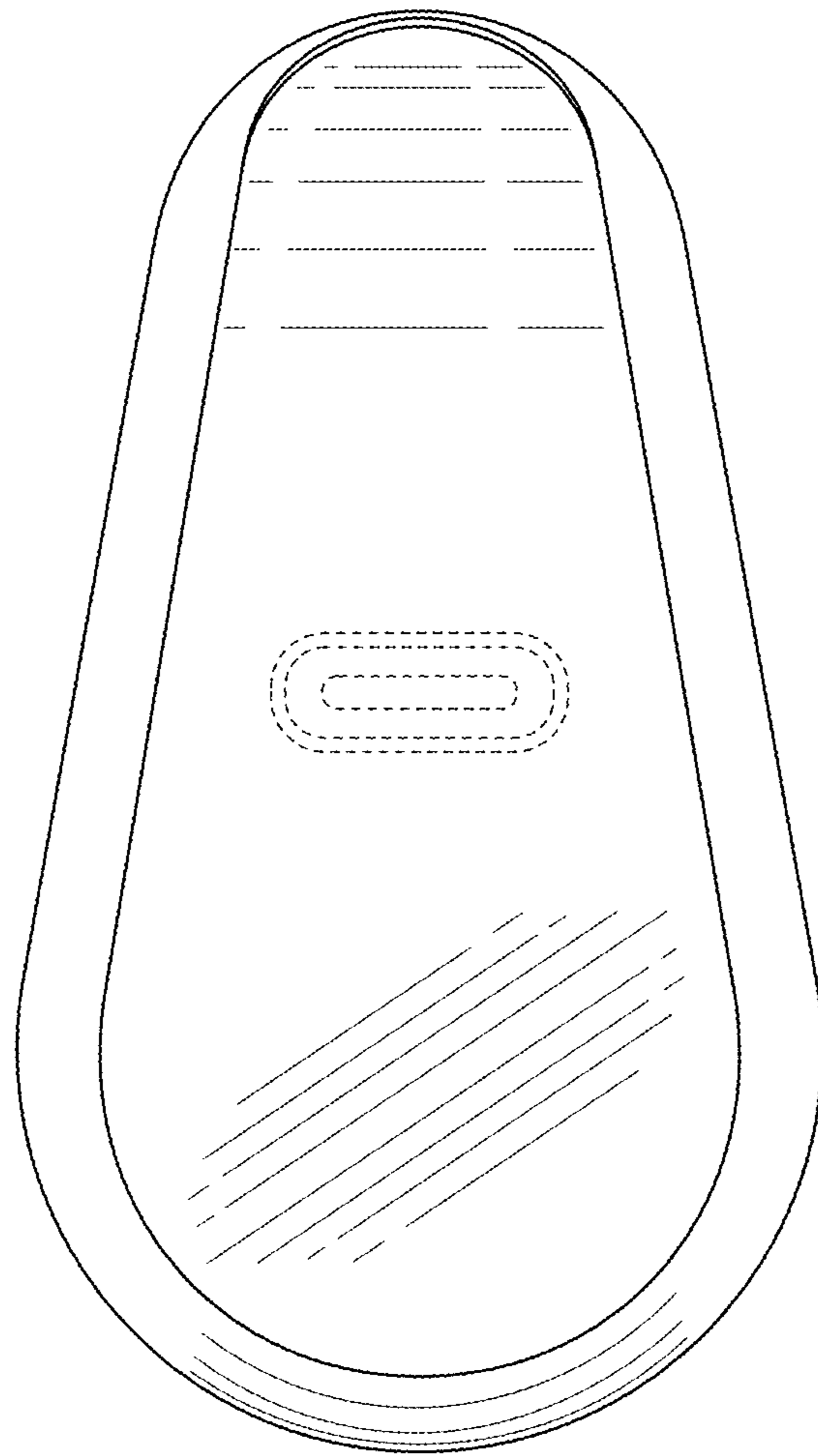


FIG. 5

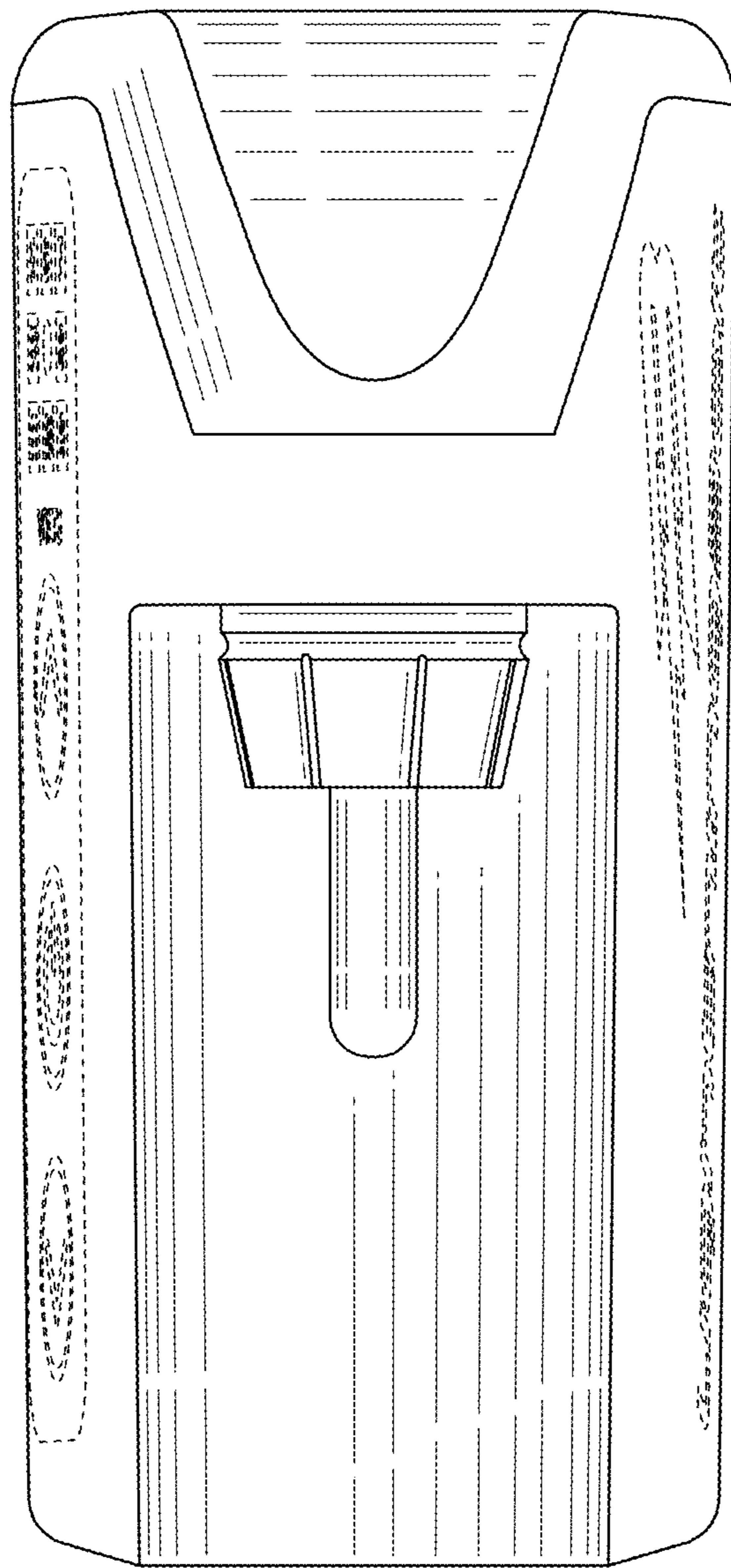


FIG. 6

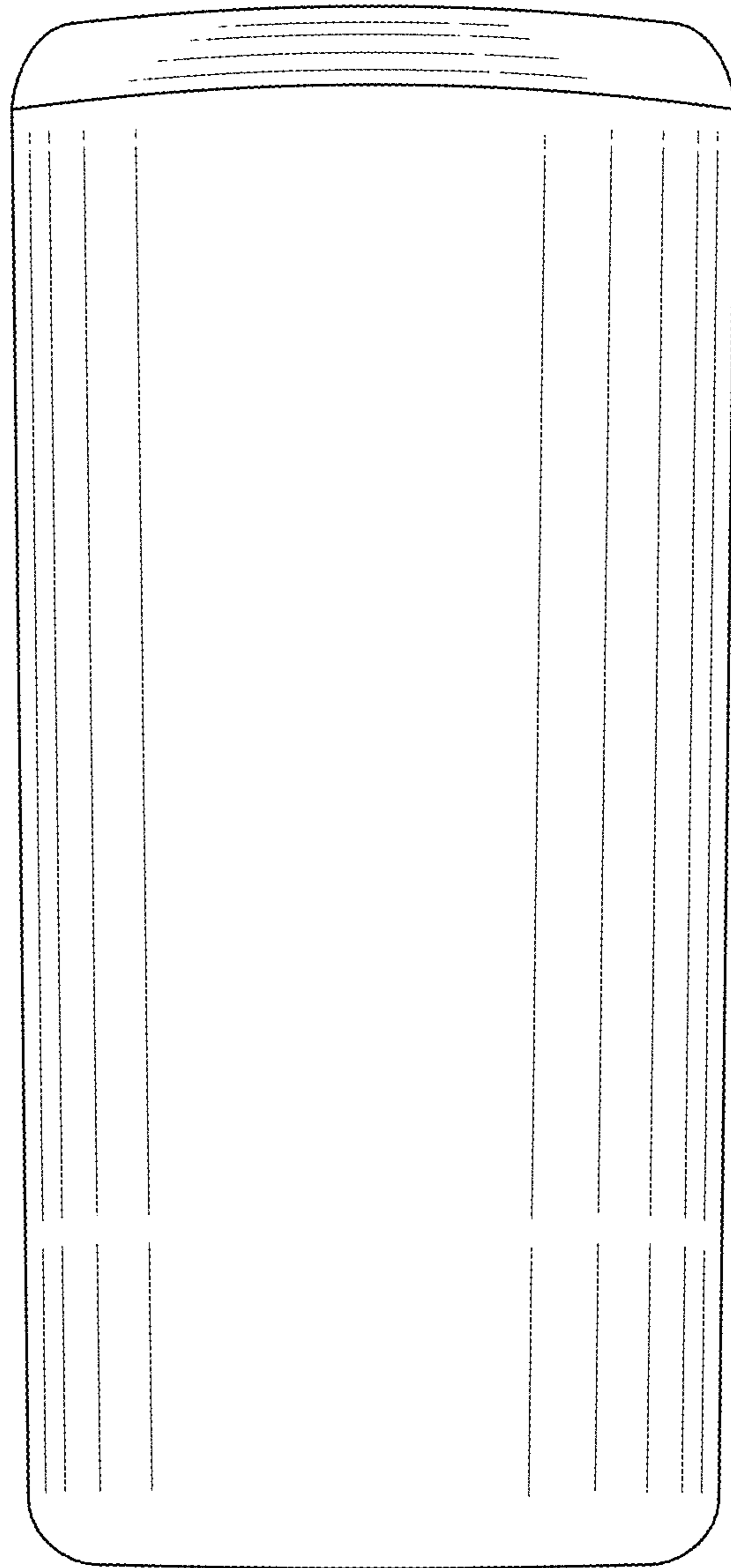


FIG. 7

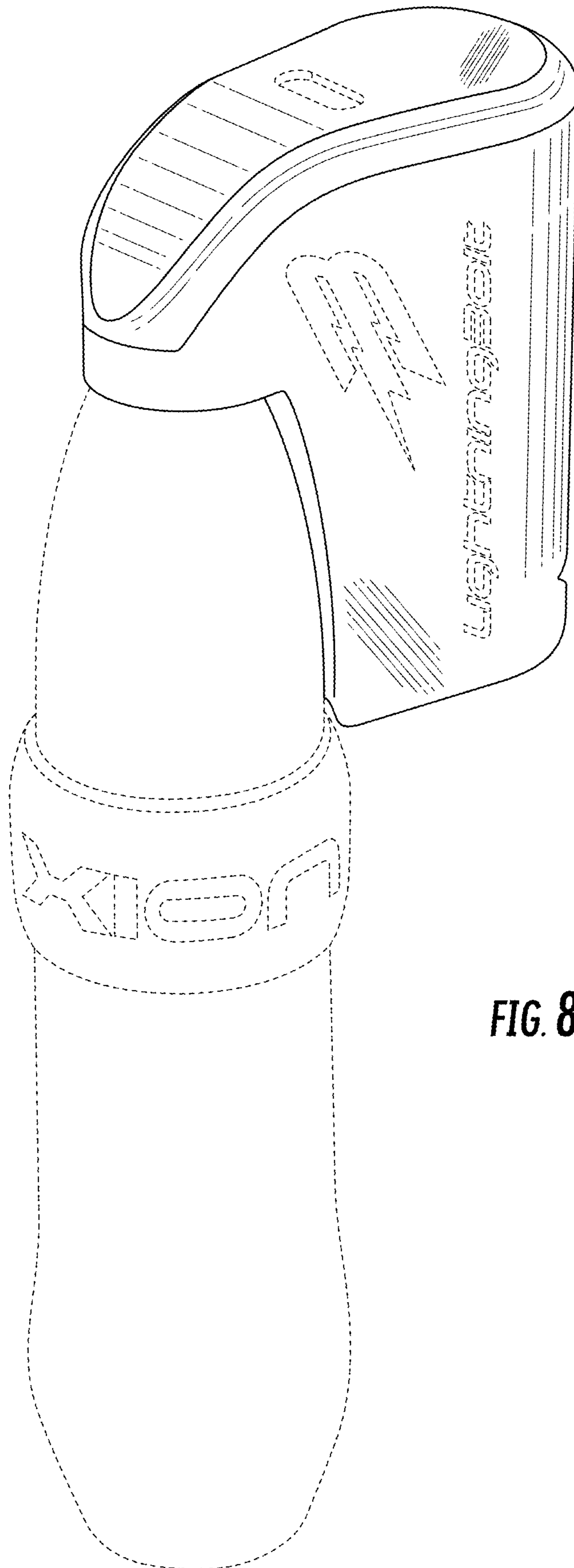


FIG. 8