



US00D960084S

(12) **United States Design Patent** (10) **Patent No.:** **US D960,084 S**
Kemeny (45) **Date of Patent:** **** Aug. 9, 2022**

(54) **TREAD ASSEMBLY FOR A WHEEL**

(71) Applicant: **GACW Incorporated**, Chandler, AZ (US)

(72) Inventor: **Zoltan Kemeny**, Chandler, AZ (US)

(73) Assignee: **GACW INCORPORATED**, Chandler, AZ (US)

(**) Term: **15 Years**

(21) Appl. No.: **29/754,268**

(22) Filed: **Oct. 8, 2020**

(51) **LOC (13) Cl.** **12-15**

(52) **U.S. Cl.**
USPC **D12/604**

(58) **Field of Classification Search**
USPC D12/533-567
CPC B60C 11/0302; B60C 2011/0358; B60C 2011/0374

See application file for complete search history.

(56) **References Cited**

U.S. PATENT DOCUMENTS

D757,638 S *	5/2016	Yoon	D12/545
D776,604 S *	1/2017	Mast	D12/579
D783,506 S *	4/2017	Kossi	D12/521
D845,881 S *	4/2019	Kossi	D12/563
D866,435 S *	11/2019	Interrante	D12/209
D868,677 S *	12/2019	Kossi	D12/563
D870,025 S *	12/2019	Speziari	D12/563
D872,685 S *	1/2020	Fujimoto	D12/553
D913,910 S *	3/2021	Taylor	D12/544
D917,124 S *	4/2021	Rackers	D34/27
D922,309 S *	6/2021	Poling	D12/601
D931,193 S *	9/2021	Pons	D12/564
D931,194 S *	9/2021	Toscano	D12/564
D932,988 S *	10/2021	Kossi	D12/565

D937,189 S *	11/2021	Sato	D12/604
D937,757 S *	12/2021	Giampaolo	D12/604
2020/0307319 A1 *	10/2020	Reichling	B60C 11/1236
2020/0353774 A1 *	11/2020	Kemeny	B60B 7/01
2020/0384801 A1 *	12/2020	Kemeny	B60C 11/1307

OTHER PUBLICATIONS

“Global Air Cylinder Wheels” GACW., posted date Mar. 22, 2022 [online], [retrieved on Apr. 8, 2022], Retrieved from the Internet <URL: <https://globalaircylinderwheels.com/>> (Year: 2022).*

(Continued)

Primary Examiner — Darlington Ly

Assistant Examiner — Nasim Abdulaziz Ali

(74) *Attorney, Agent, or Firm* — Allen, Dyer, Doppelt + Gilchrist, P.A.

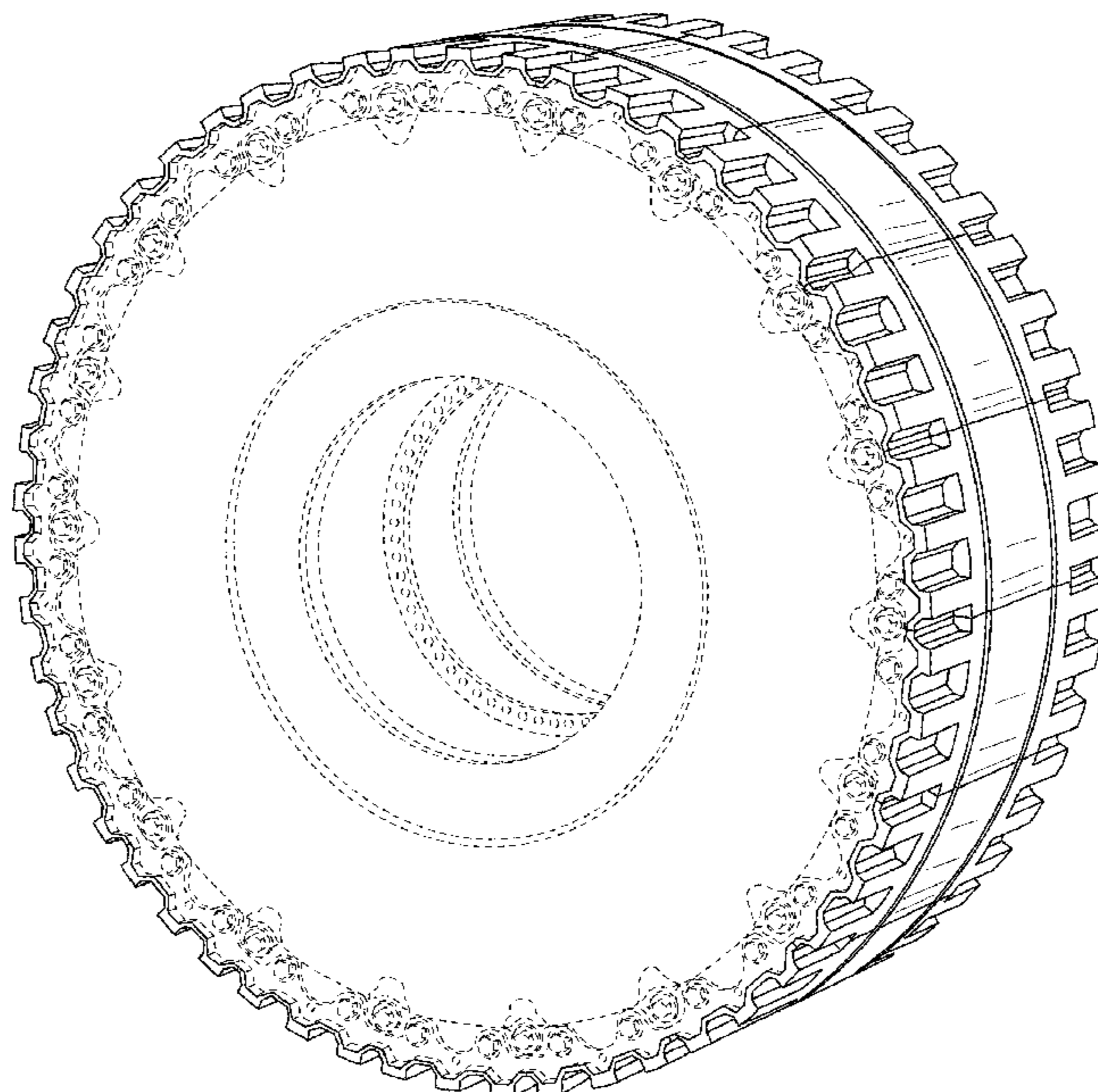
(57) **CLAIM**

The ornamental design for a tread assembly for a wheel, as shown and described.

DESCRIPTION

FIG. 1 is a side perspective view of tread assemblies carried by a wheel embodying my new design; FIG. 2 is a top perspective view thereof; FIG. 3 is a top plan view thereof; FIG. 4 is a bottom perspective view thereof; FIG. 5 is a bottom plan view thereof; FIG. 6 is a front elevation view thereof; FIG. 7 is a side elevation view thereof; FIG. 8 is a top perspective view of a tread assembly according to another embodiment; FIG. 9 is a front elevation view of FIG. 8 thereof; and, FIG. 10 is a side elevation view of FIG. 8 thereof. The broken lines in the drawings illustrate portions of the tread assembly for a wheel that form no part of the claimed design.

1 Claim, 10 Drawing Sheets



(56)

References Cited

OTHER PUBLICATIONS

“X® TWEEL® TURF XL 26” MICHELIN®, posted date Apr. 24, 2021 [online], [retrieved on Apr. 8, 2022], Retrieved from the Internet <URL: <https://tweel.michelinman.com/turf-care-equipment/turf-care/25913.html>> (Year: 2021).*

“Michelin’s airless passenger car tires” MICHELIN®, posted date Sep. 13, 2021 [online], [retrieved on Apr. 8, 2022], Retrieved from the Internet <URL: <https://newatlas.com/automotive/michelin-gm-uptis-airless-tire-demo/>> (Year: 2021).*

* cited by examiner

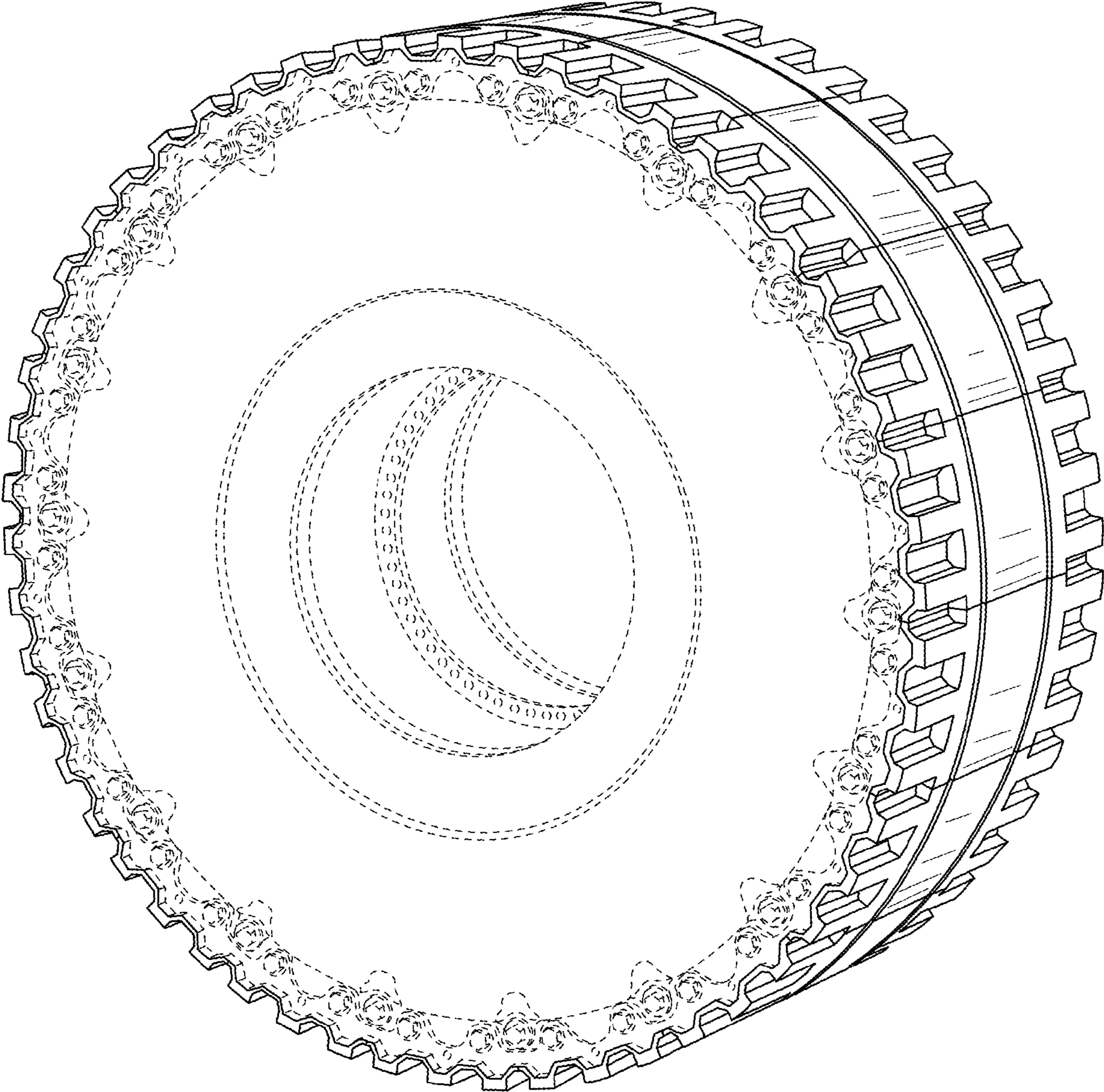


FIG. 1

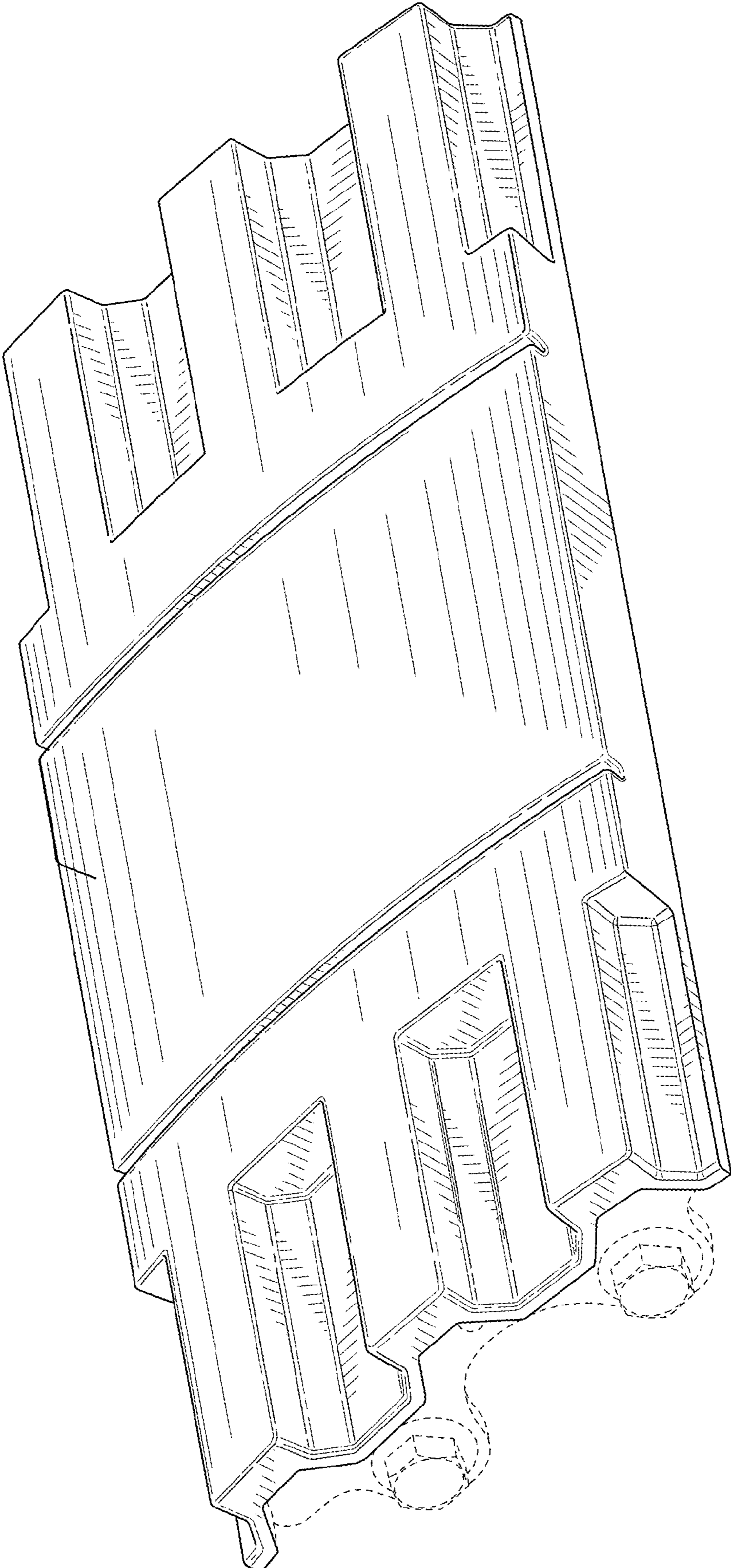


FIG. 2

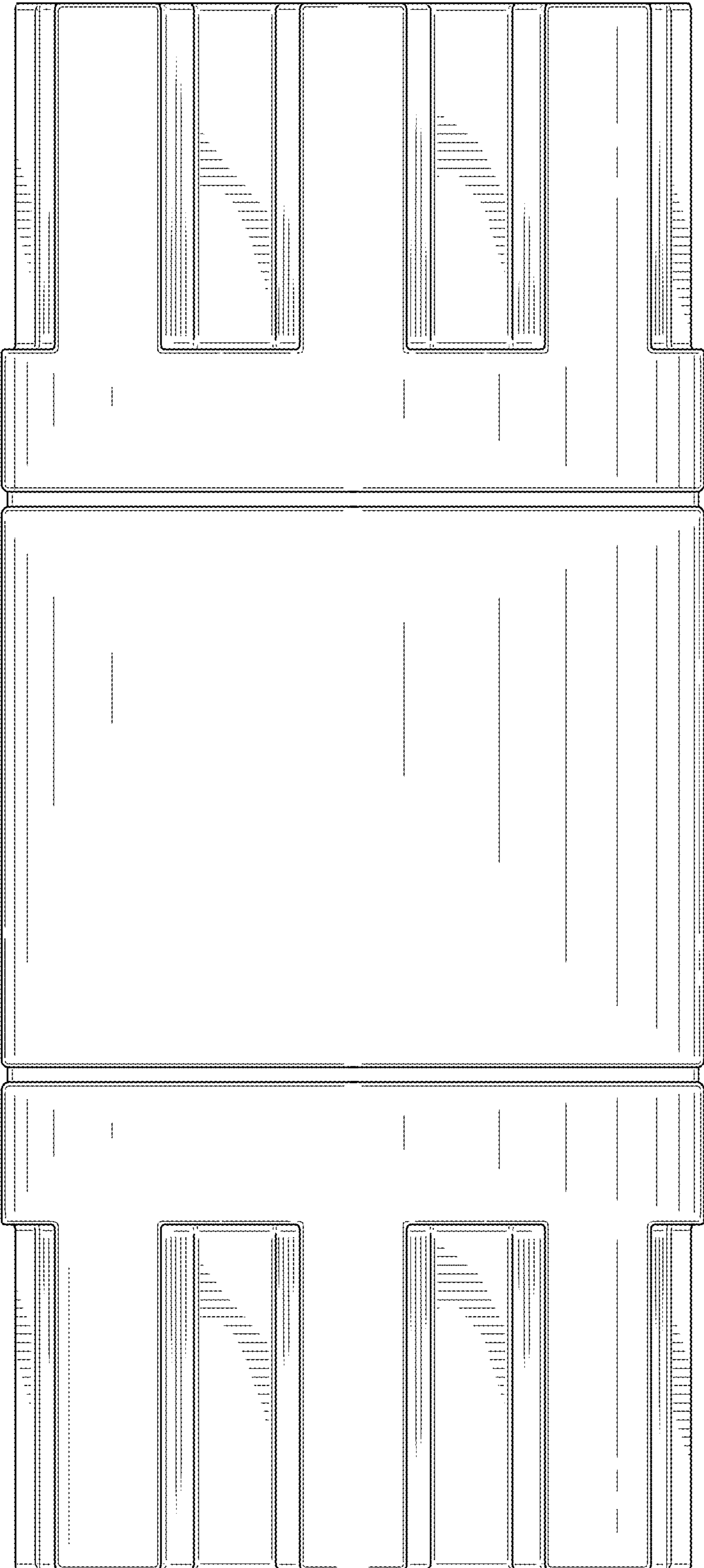


FIG. 3

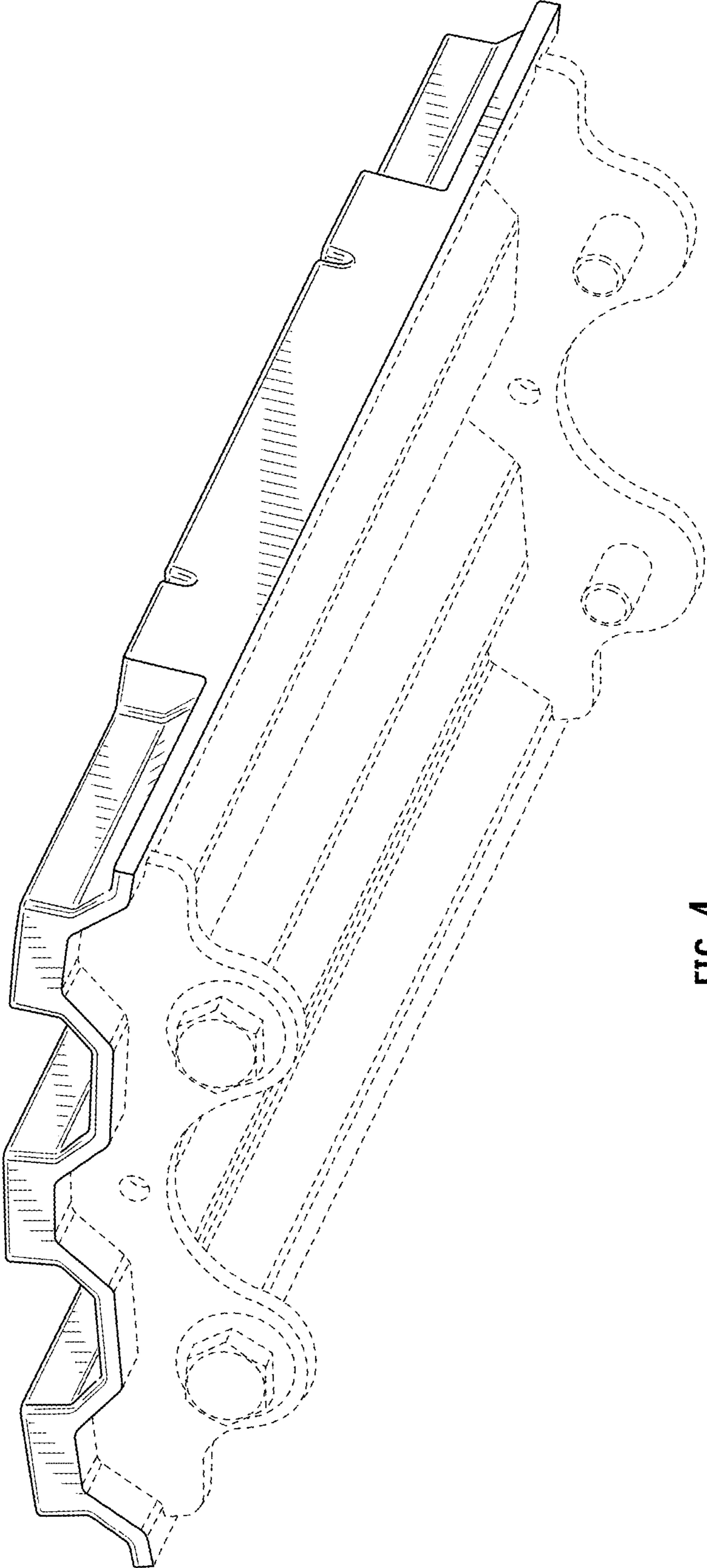


FIG. 4

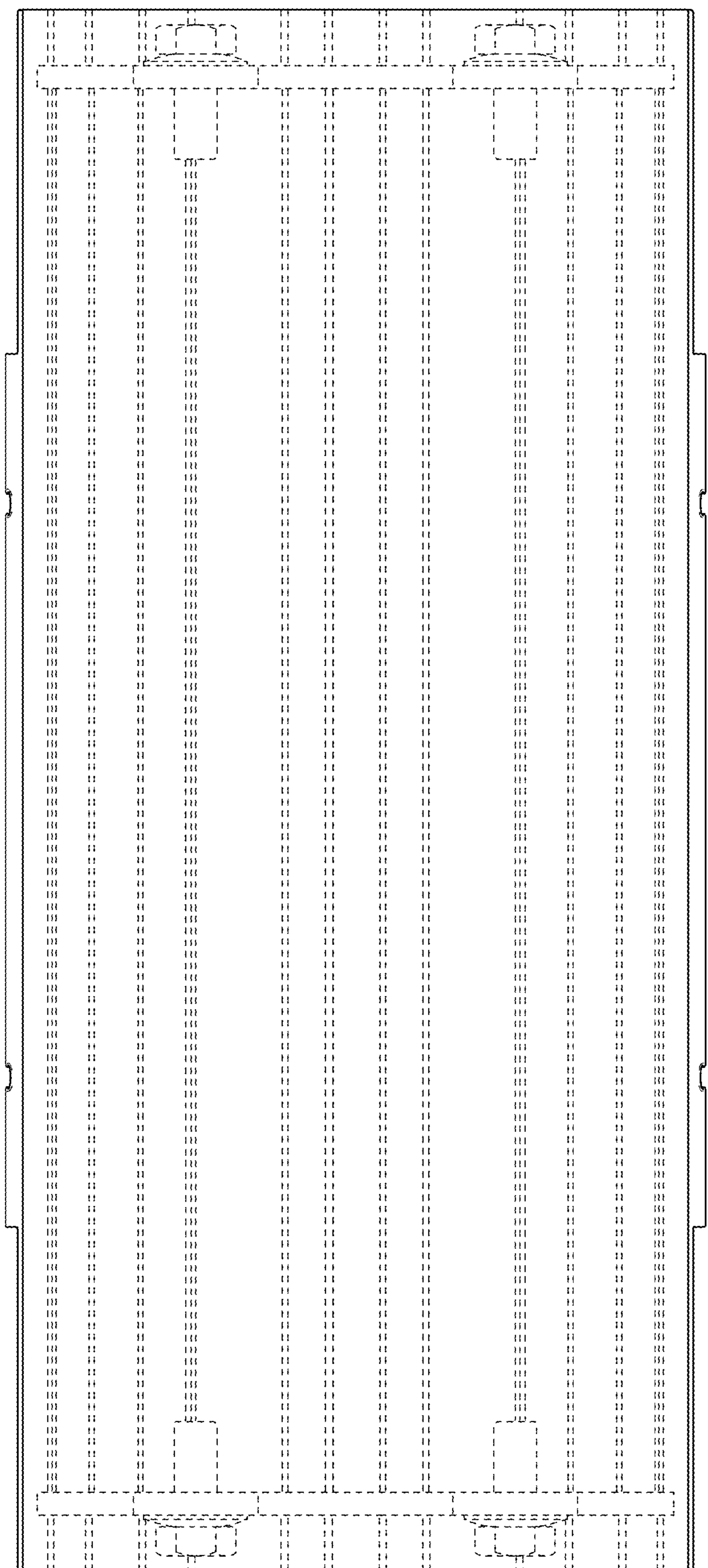


FIG. 5

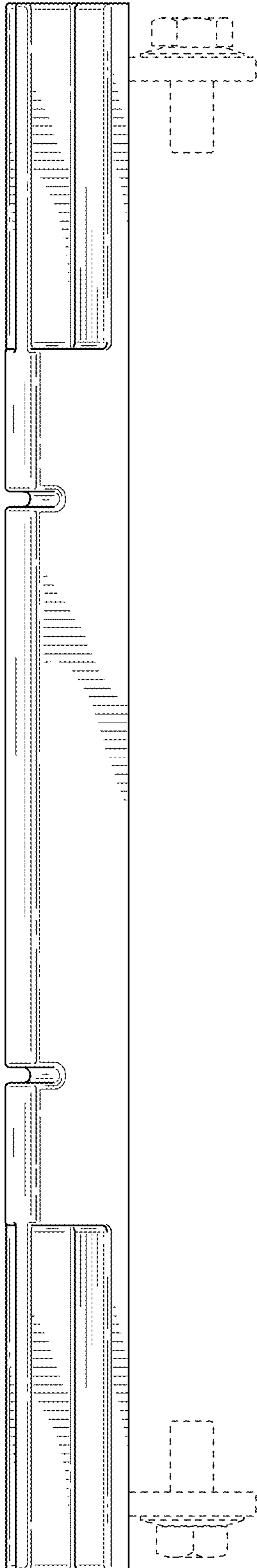


FIG. 6

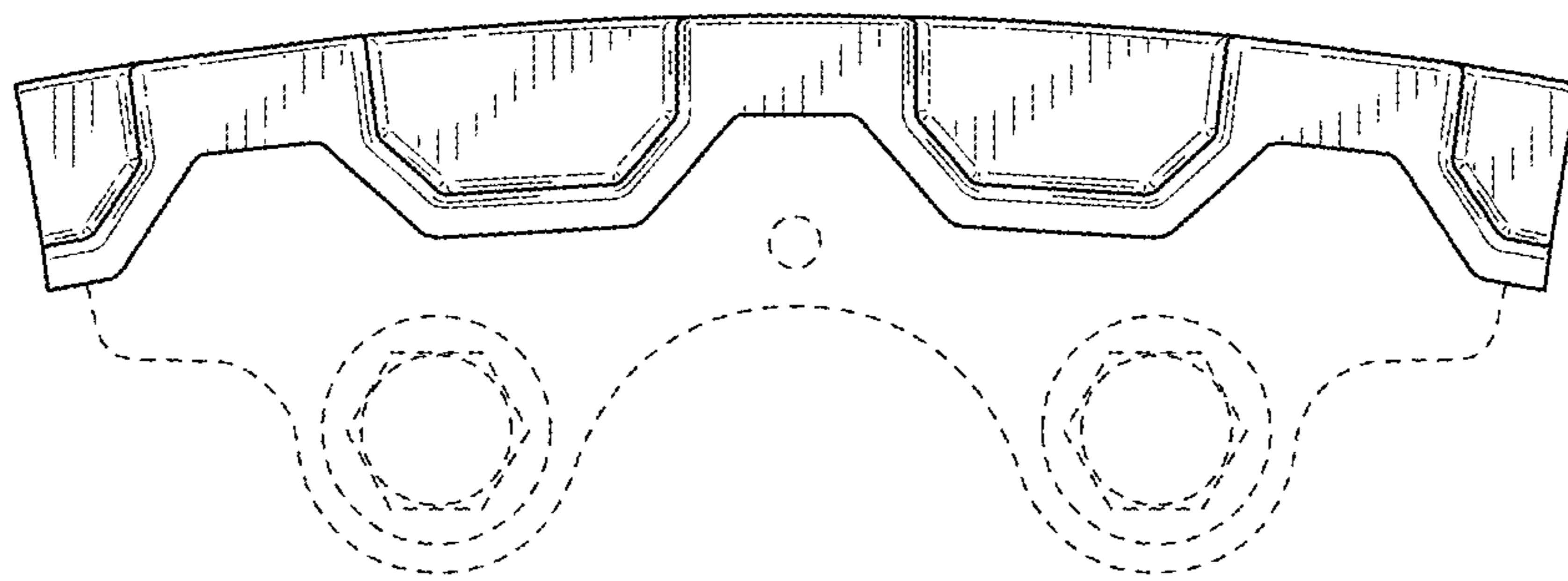


FIG. 7

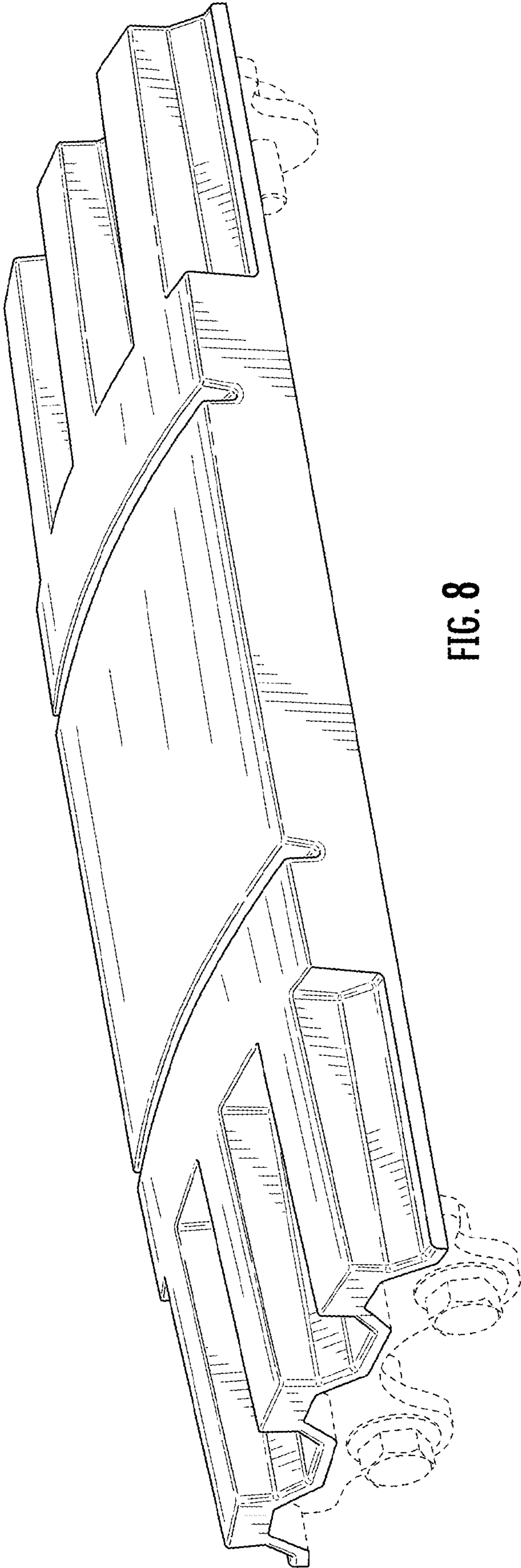


FIG. 8

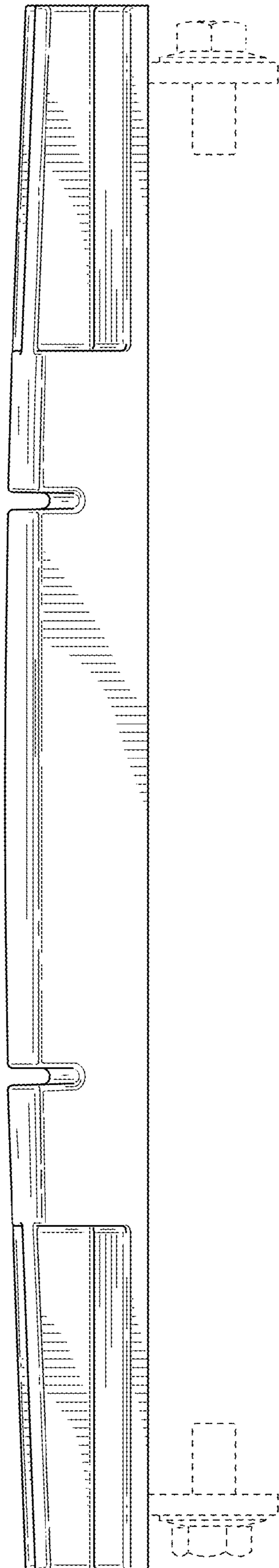


FIG. 9

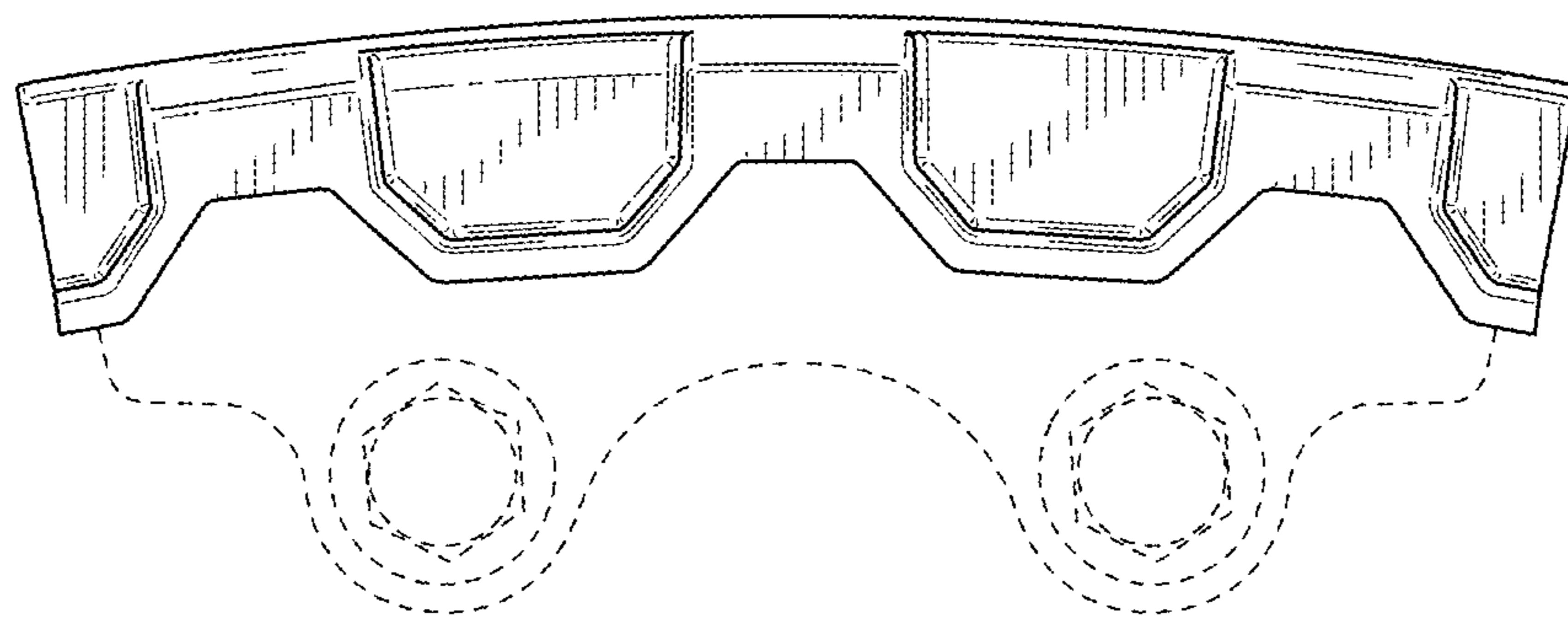


FIG. 10