



US00D960077S

(12) **United States Design Patent**
Pan

(10) **Patent No.:** **US D960,077 S**

(45) **Date of Patent:** **** Aug. 9, 2022**

- (54) **IN-CAR STORAGE BOX**
- (71) Applicant: **Junjie Pan**, Chongqing (CN)
- (72) Inventor: **Junjie Pan**, Chongqing (CN)
- (**) Term: **15 Years**
- (21) Appl. No.: **29/791,309**

D940,057 S *	1/2022	Guo	D12/425
D943,496 S *	2/2022	Brumby	D12/425
D946,493 S *	3/2022	Huang	D12/425
D946,494 S *	3/2022	Huang	D12/425
D949,766 S *	4/2022	Kim	B62D 25/00
				D12/195
D949,773 S *	4/2022	Huang	D12/425
D950,476 S *	5/2022	Gan	D12/425
D951,851 S *	5/2022	Schwab	D12/415

* cited by examiner

Primary Examiner — Katrina A Betton

- (22) Filed: **Jan. 7, 2022**
- (51) **LOC (13) Cl.** **12-16**
- (52) **U.S. Cl.**
USPC **D12/425**
- (58) **Field of Classification Search**
USPC D12/425, 400, 406, 415-420, 424, 426
CPC B60R 16/04; B63B 17/00; B63B 35/00;
B63B 7/085; B63B 25/00
See application file for complete search history.

(57) **CLAIM**

The ornamental design for an in-car storage box, as shown and described.

DESCRIPTION

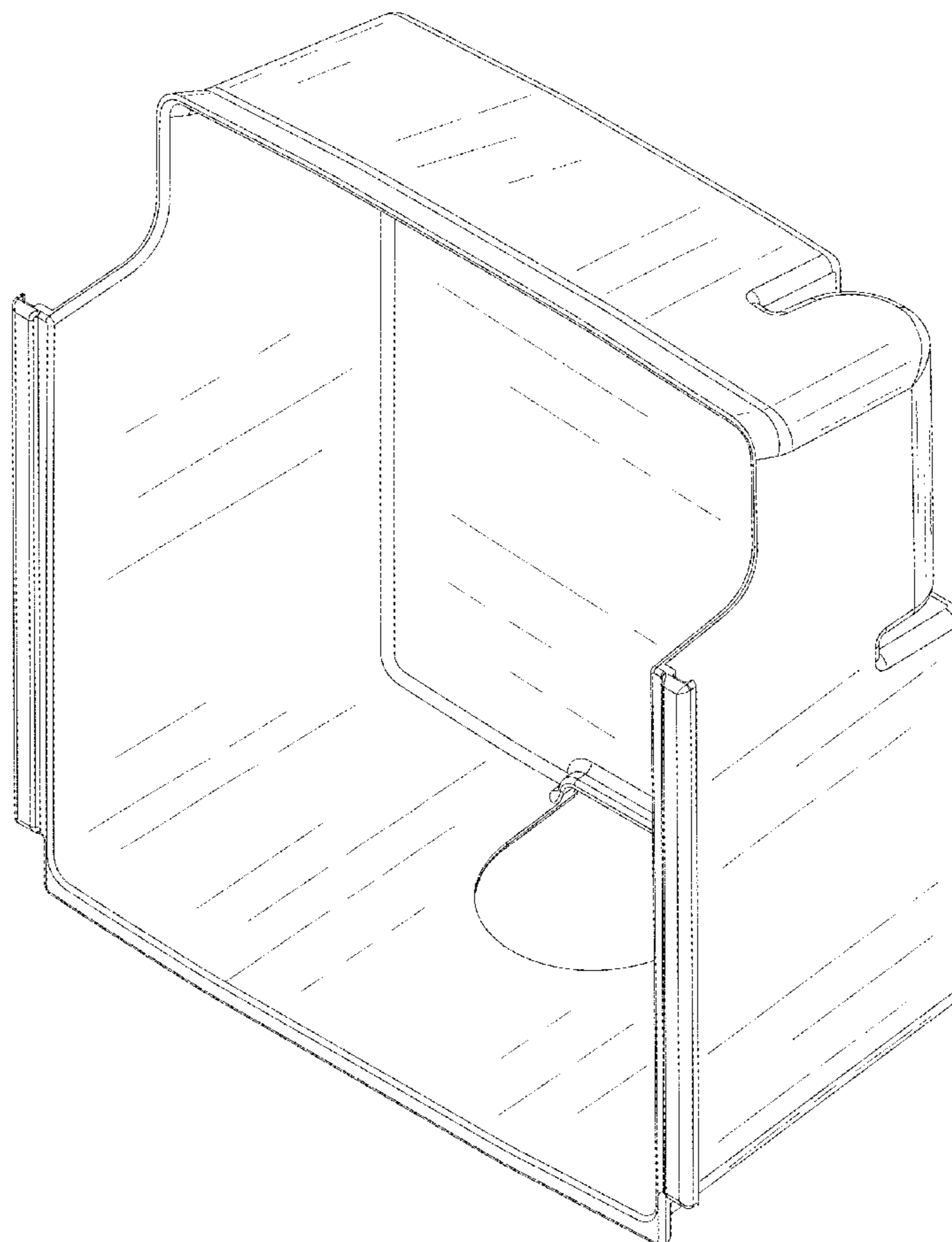
FIG. 1 is a perspective view of an in-car storage box, showing my new design;
 FIG. 2 is another perspective view thereof;
 FIG. 3 is a front view thereof;
 FIG. 4 is a rear view thereof;
 FIG. 5 is a left side view thereof;
 FIG. 6 is a right side view thereof;
 FIG. 7 is a top plan view thereof; and,
 FIG. 8 is a bottom plan view thereof.

(56) **References Cited**

U.S. PATENT DOCUMENTS

D846,482 S	4/2019	Wu	
D925,944 S *	7/2021	Joyner D6/553
D935,380 S *	11/2021	Ma D12/421
D935,381 S *	11/2021	Chen D12/425
D937,081 S *	11/2021	Yamane D9/425
D938,892 S *	12/2021	Lai D12/415

1 Claim, 8 Drawing Sheets



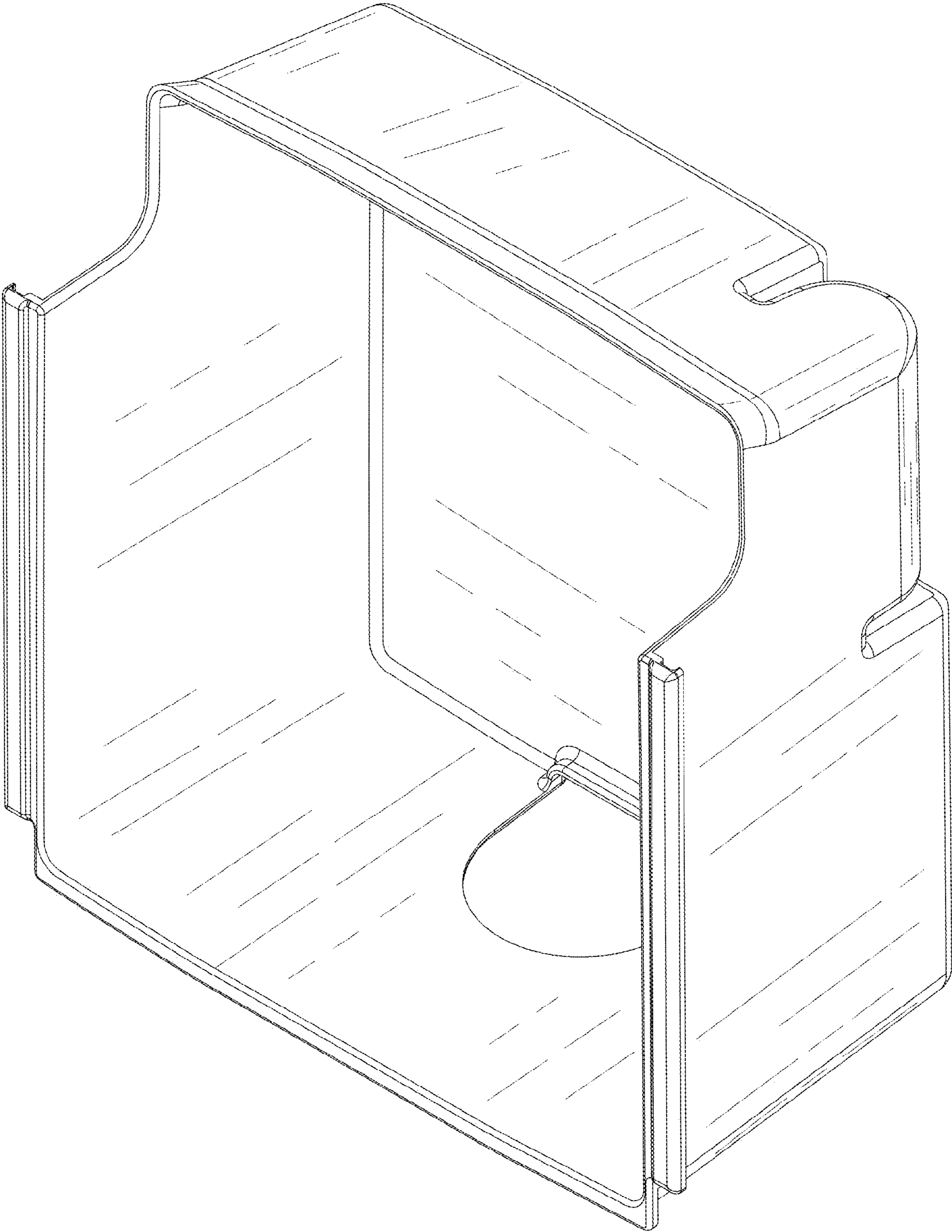


FIG. 1

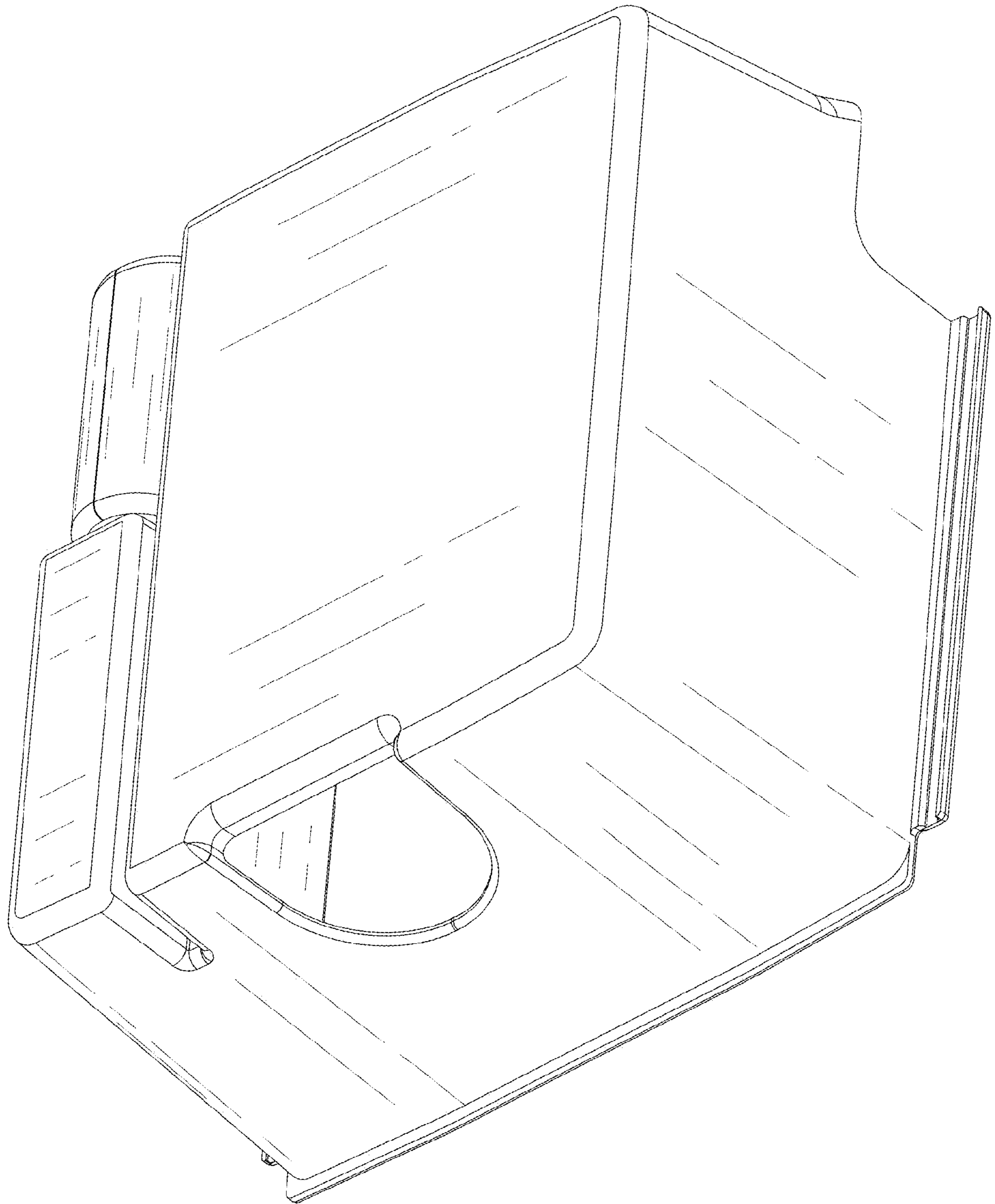


FIG. 2

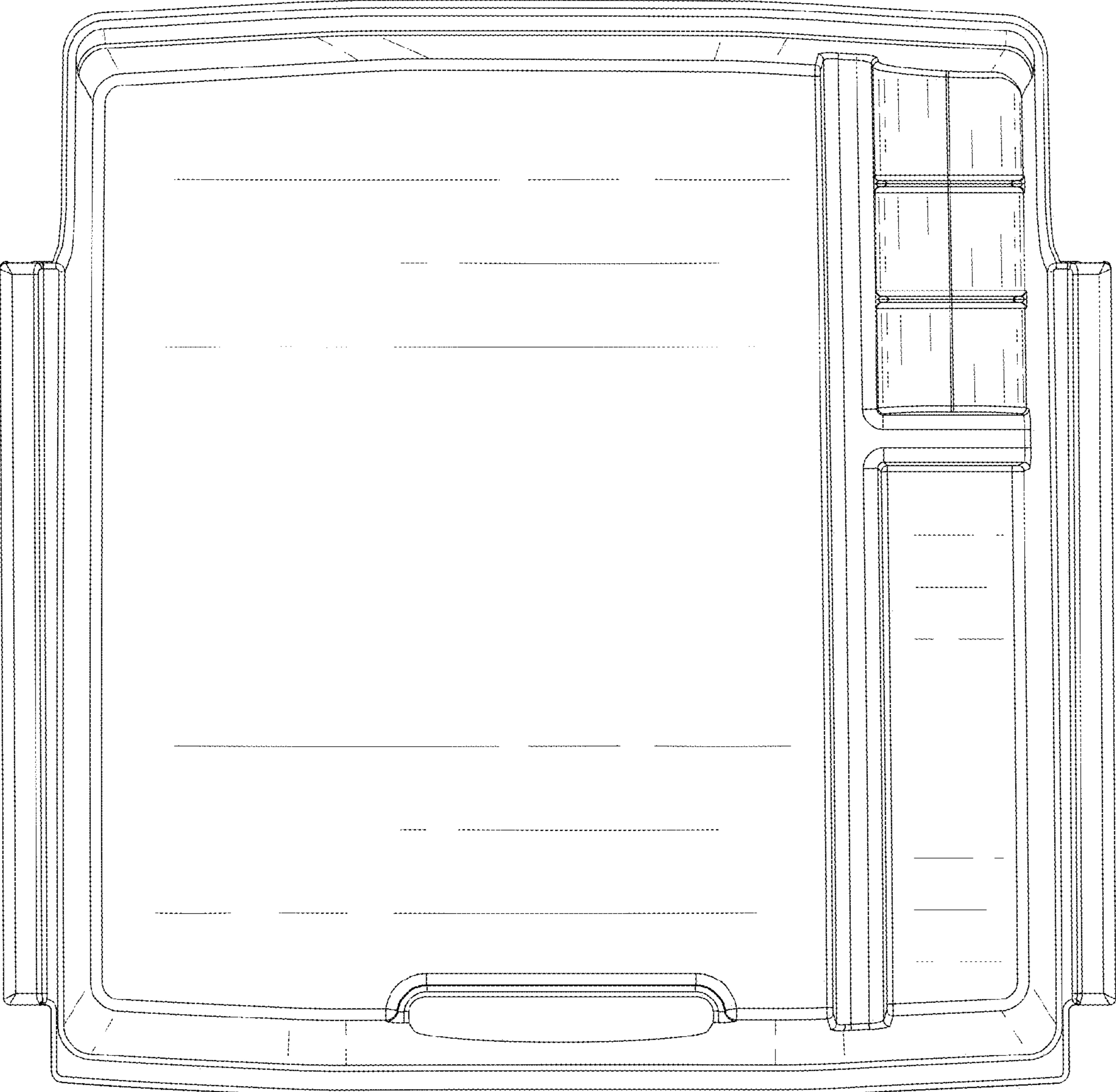


FIG. 3

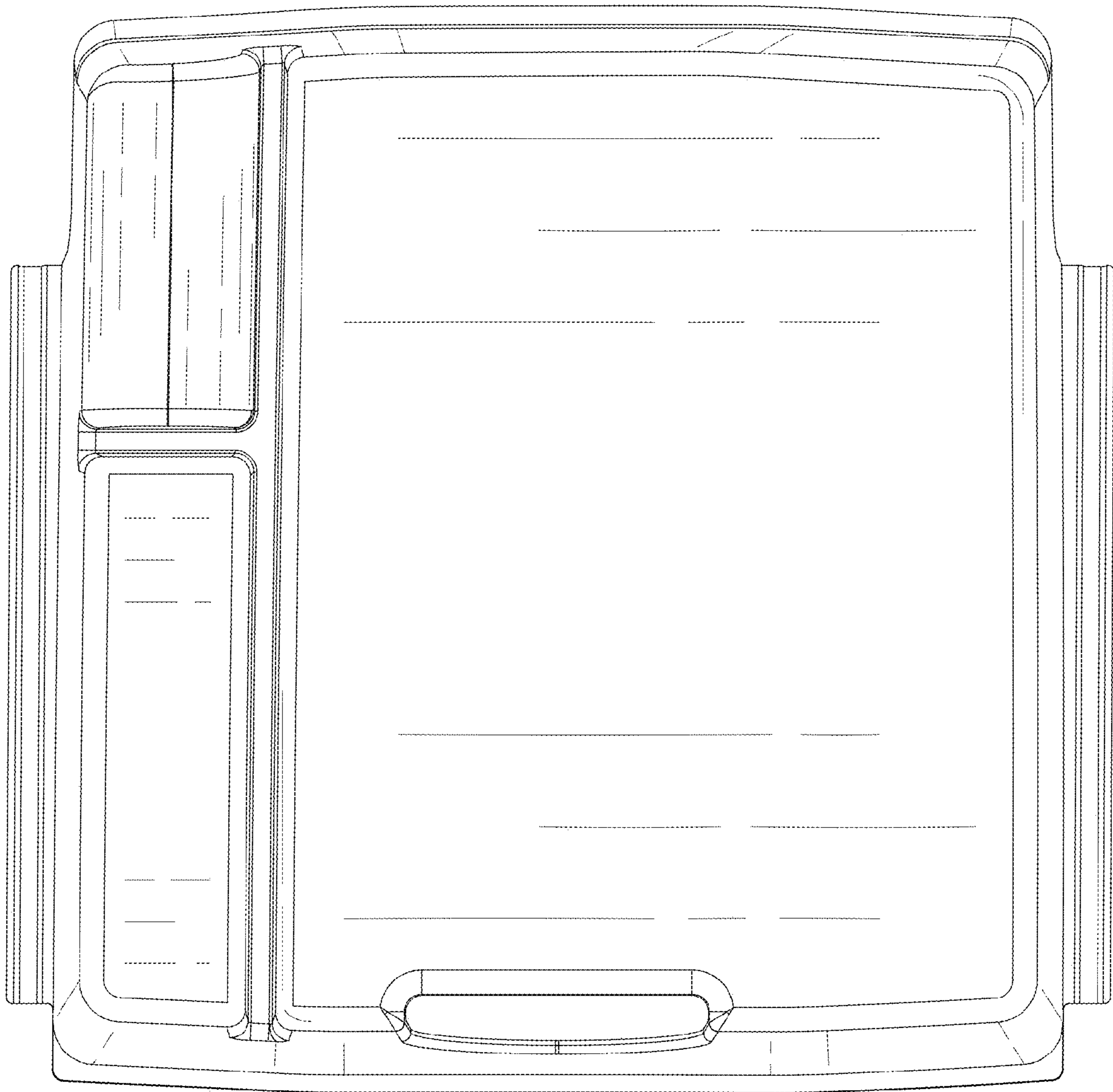


FIG. 4

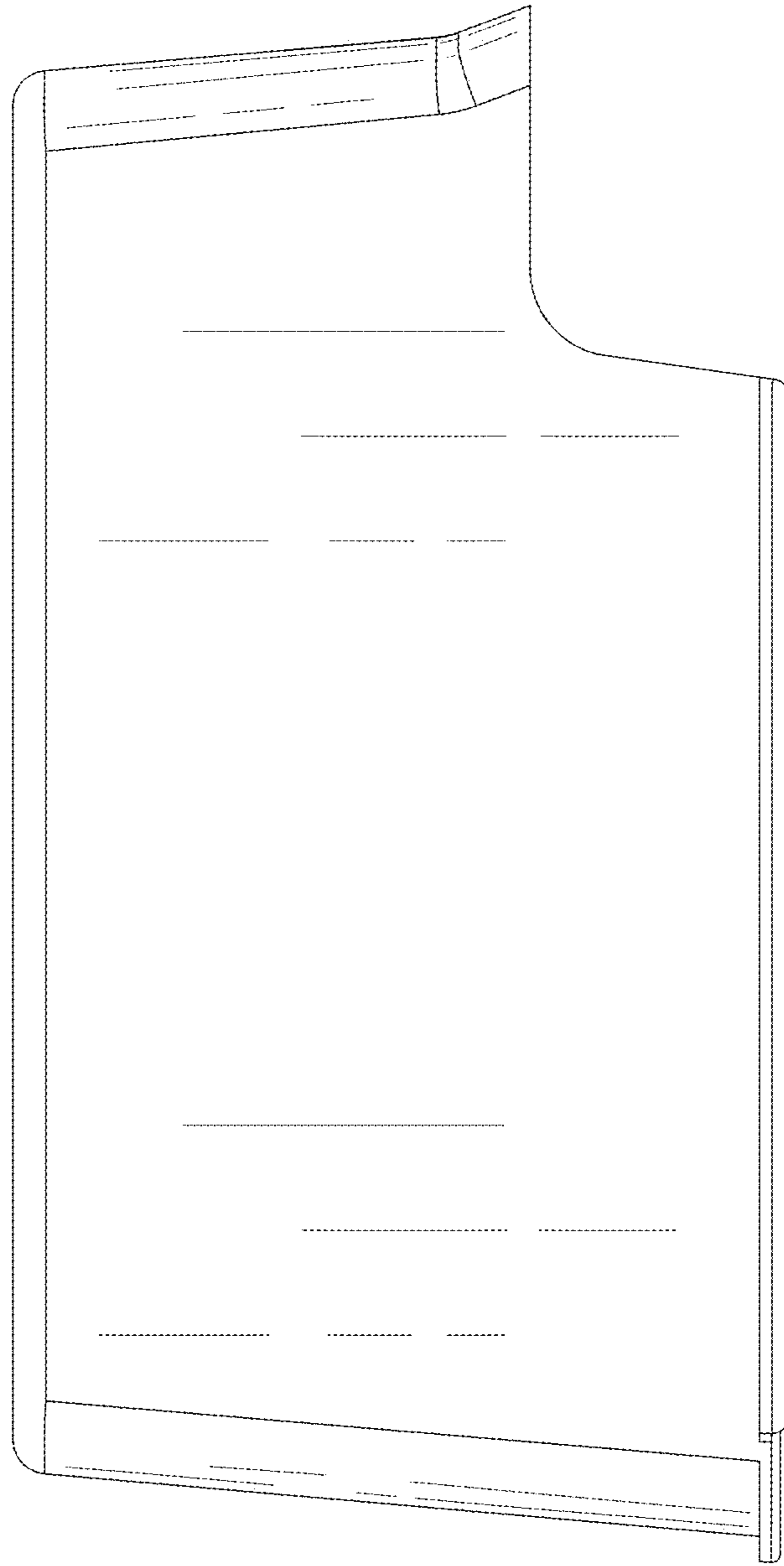


FIG. 5

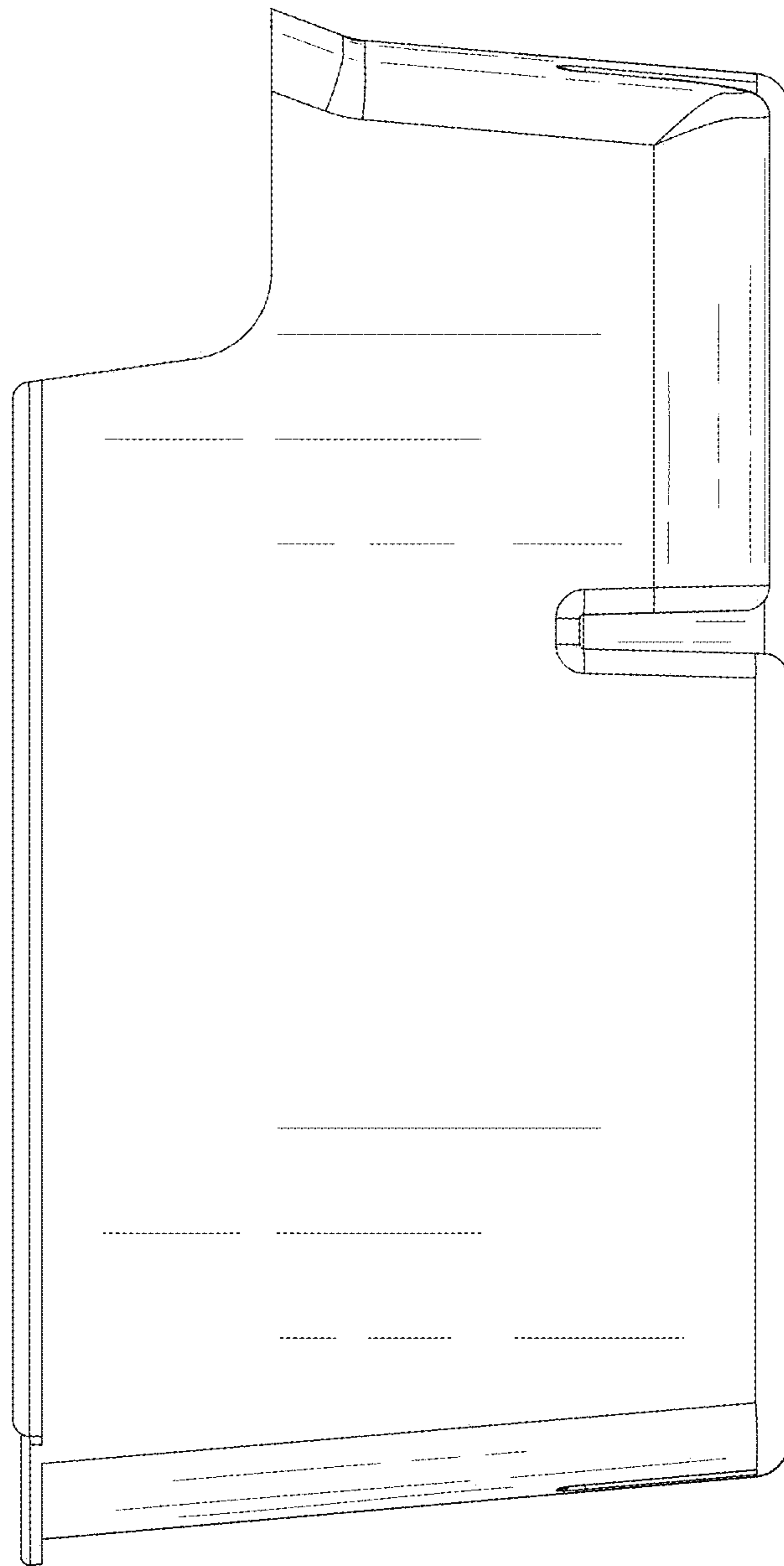


FIG. 6

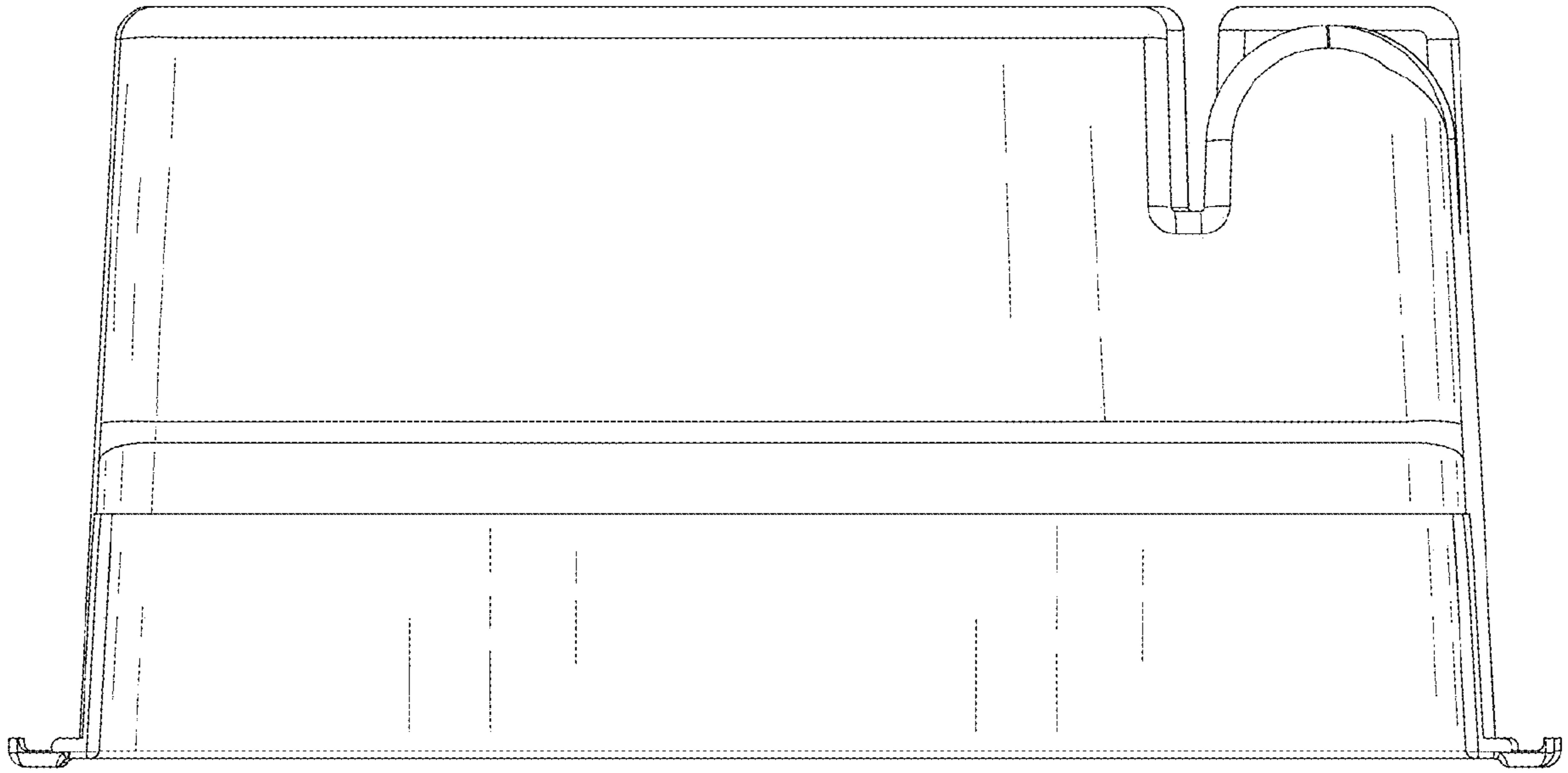


FIG. 7

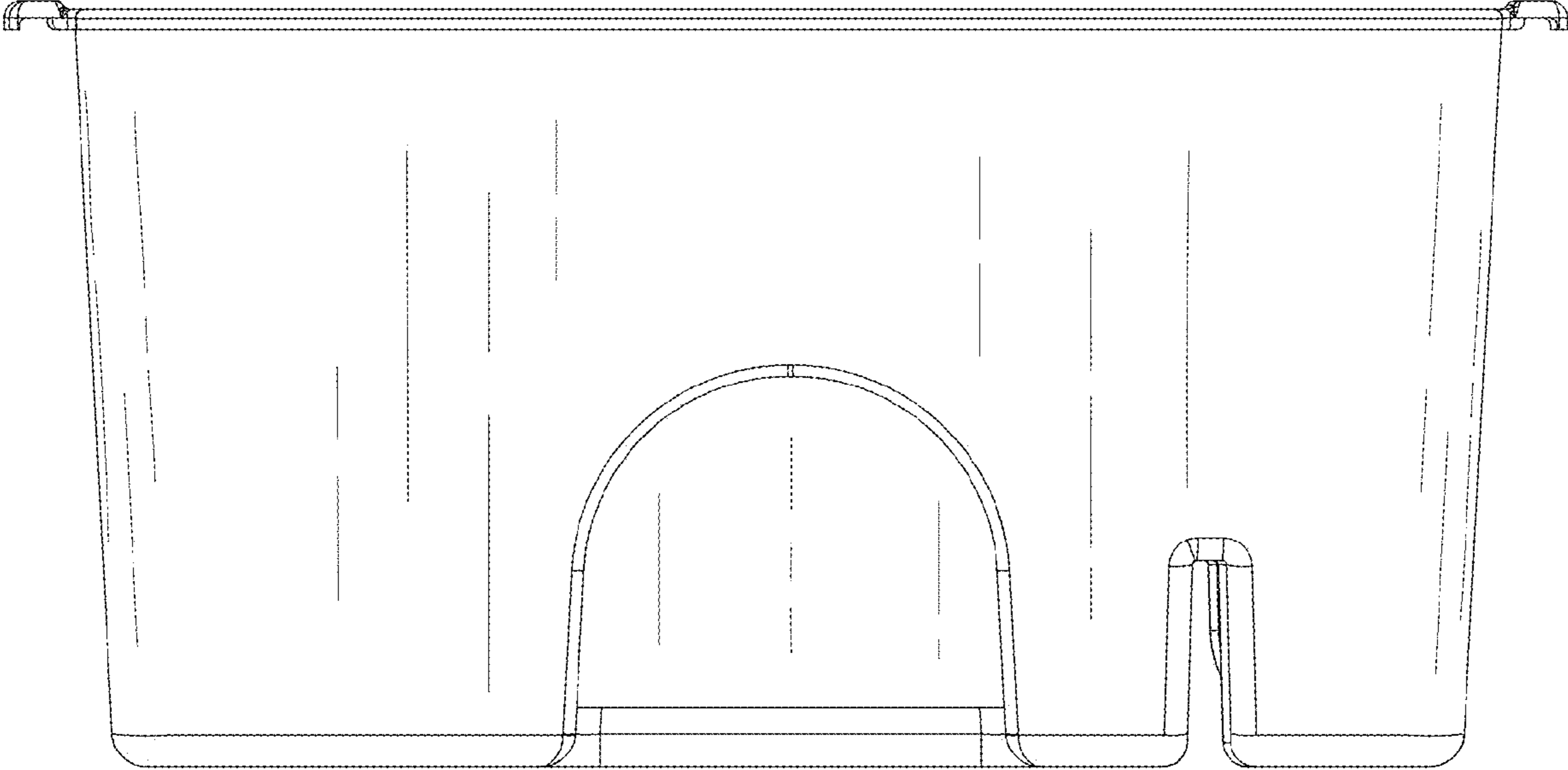


FIG. 8