



US00D960074S

(12) **United States Design Patent**  
**Pan**

(10) **Patent No.:** **US D960,074 S**

(45) **Date of Patent:** **\*\* Aug. 9, 2022**

- (54) **IN-CAR STORAGE BOX**
- (71) Applicant: **Junjie Pan**, Chongqing (CN)
- (72) Inventor: **Junjie Pan**, Chongqing (CN)
- (\*\*) Term: **15 Years**
- (21) Appl. No.: **29/791,289**
- (22) Filed: **Jan. 6, 2022**

D925,944 S *	7/2021	Joyner	.....	D6/553
D927,184 S *	8/2021	Wambolt, Sr.	.....	D3/303
D928,771 S *	8/2021	Barnett	.....	H04M 1/04
				D14/251
D935,380 S *	11/2021	Ma	.....	D12/421
D935,381 S	11/2021	Chen		
D938,772 S *	12/2021	Styrc	.....	D6/718.12
D938,892 S *	12/2021	Lai	.....	D12/415
D943,496 S *	2/2022	Brumby	.....	D12/425
D946,493 S *	3/2022	Huang	.....	D12/425
D949,766 S *	4/2022	Kim	.....	B62D 25/00
				D12/195

- (51) **LOC (13) Cl.** ..... **12-16**
- (52) **U.S. Cl.**  
USPC ..... **D12/422**
- (58) **Field of Classification Search**  
USPC ..... D12/422, 425, 400, 406, 415-420, 424,  
D12/426  
CPC ..... B60R 16/04; B63B 17/00; B63B 35/00;  
B63B 7/085; B63B 25/00  
See application file for complete search history.

\* cited by examiner

*Primary Examiner* — Katrina A Betton

(57) **CLAIM**

The ornamental design for an in-car storage box, as shown and described.

**DESCRIPTION**

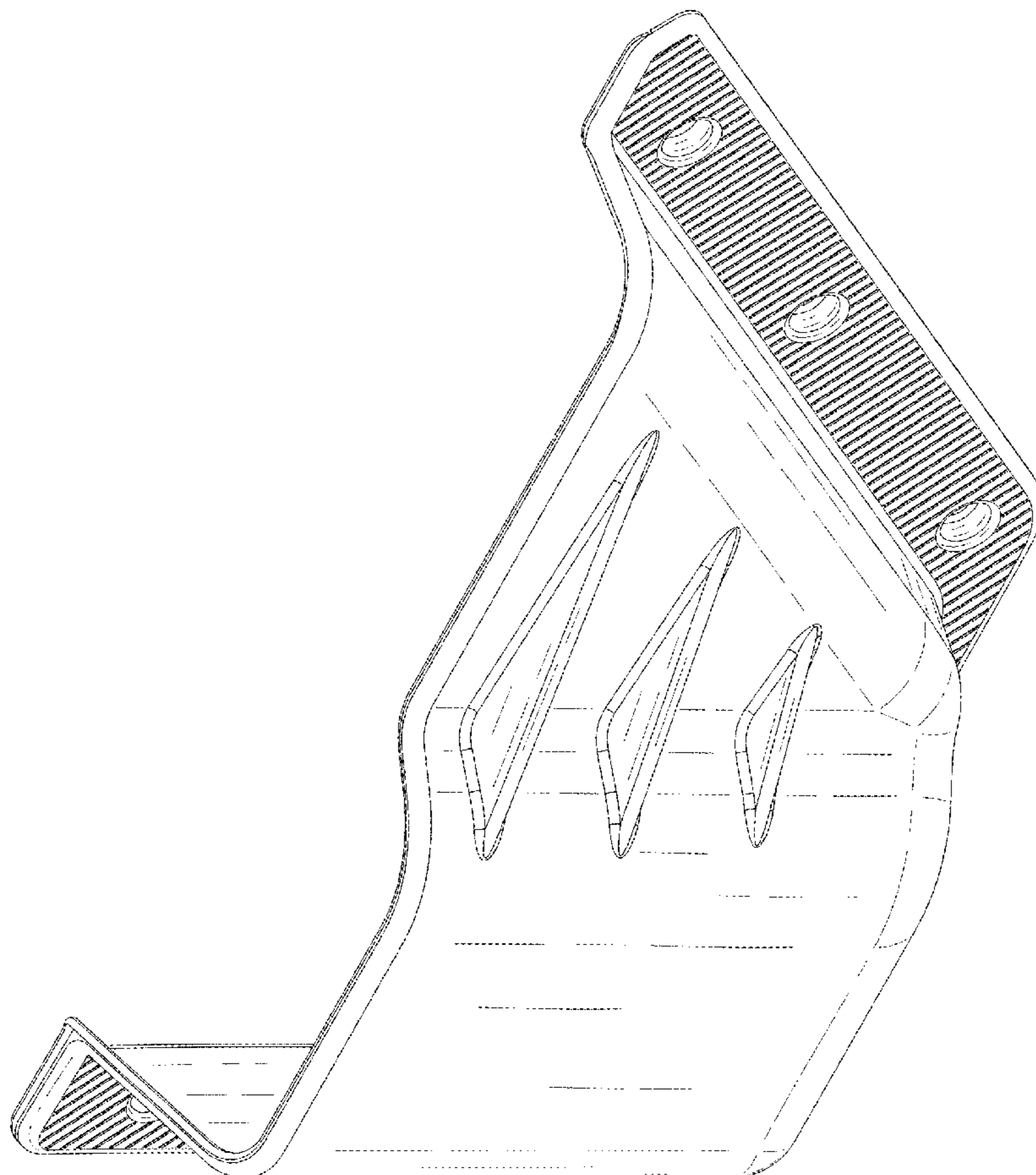
FIG. 1 is a perspective view of an in-car storage box, showing my new design;  
 FIG. 2 is another perspective view thereof;  
 FIG. 3 is a front view thereof;  
 FIG. 4 is a rear view thereof;  
 FIG. 5 is a left side view thereof;  
 FIG. 6 is a right side view thereof;  
 FIG. 7 is a top plan view thereof; and,  
 FIG. 8 is a bottom plan view thereof.

(56) **References Cited**

U.S. PATENT DOCUMENTS

D835,018 S *	12/2018	Fiore, IV	.....	D14/258
D846,482 S	4/2019	Wu		
D848,758 S *	5/2019	McIntyre	.....	D6/533
D890,079 S *	7/2020	Chen	.....	D12/423
D910,311 S *	2/2021	Howington	.....	D3/303

**1 Claim, 8 Drawing Sheets**



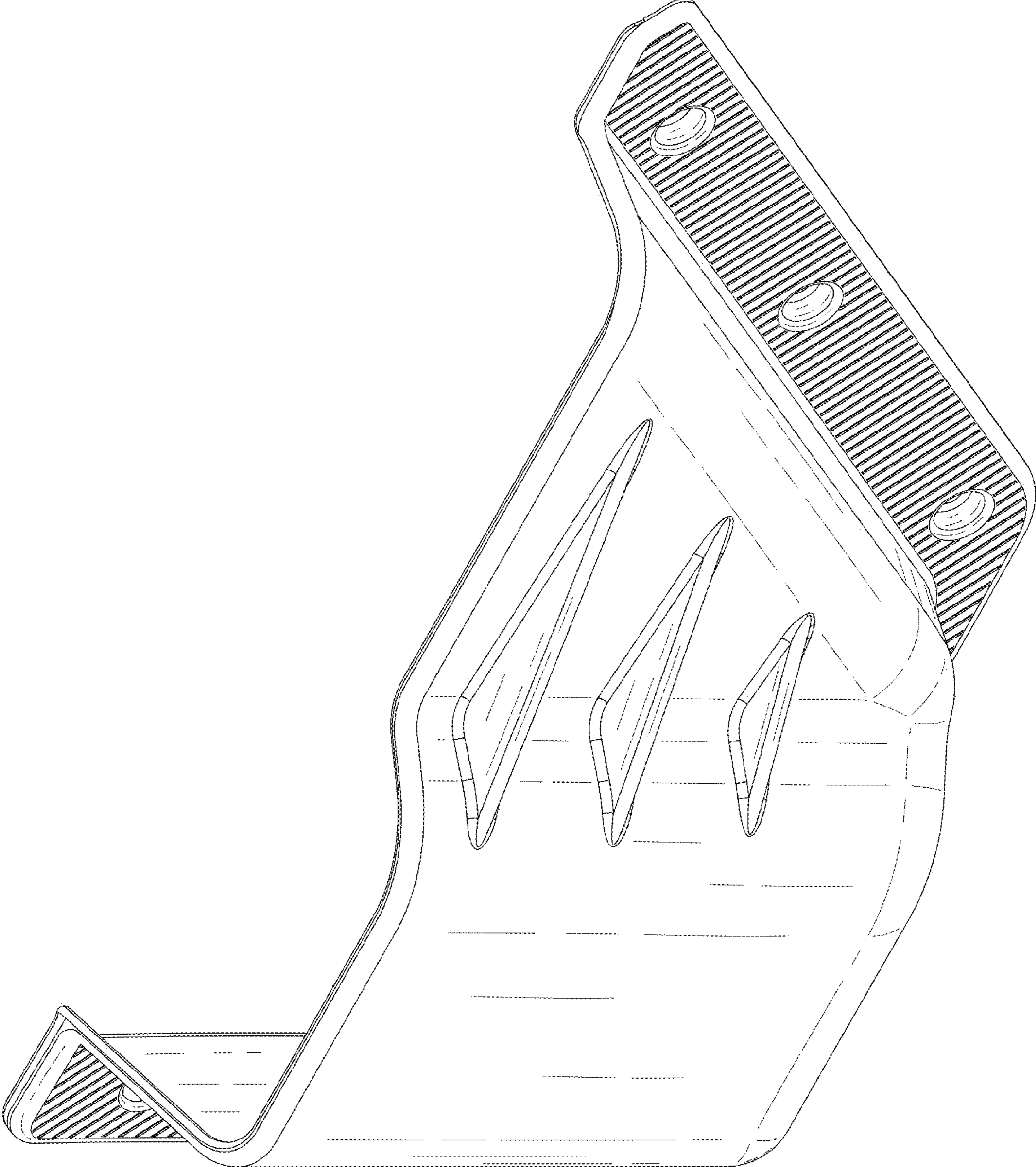


FIG. 1

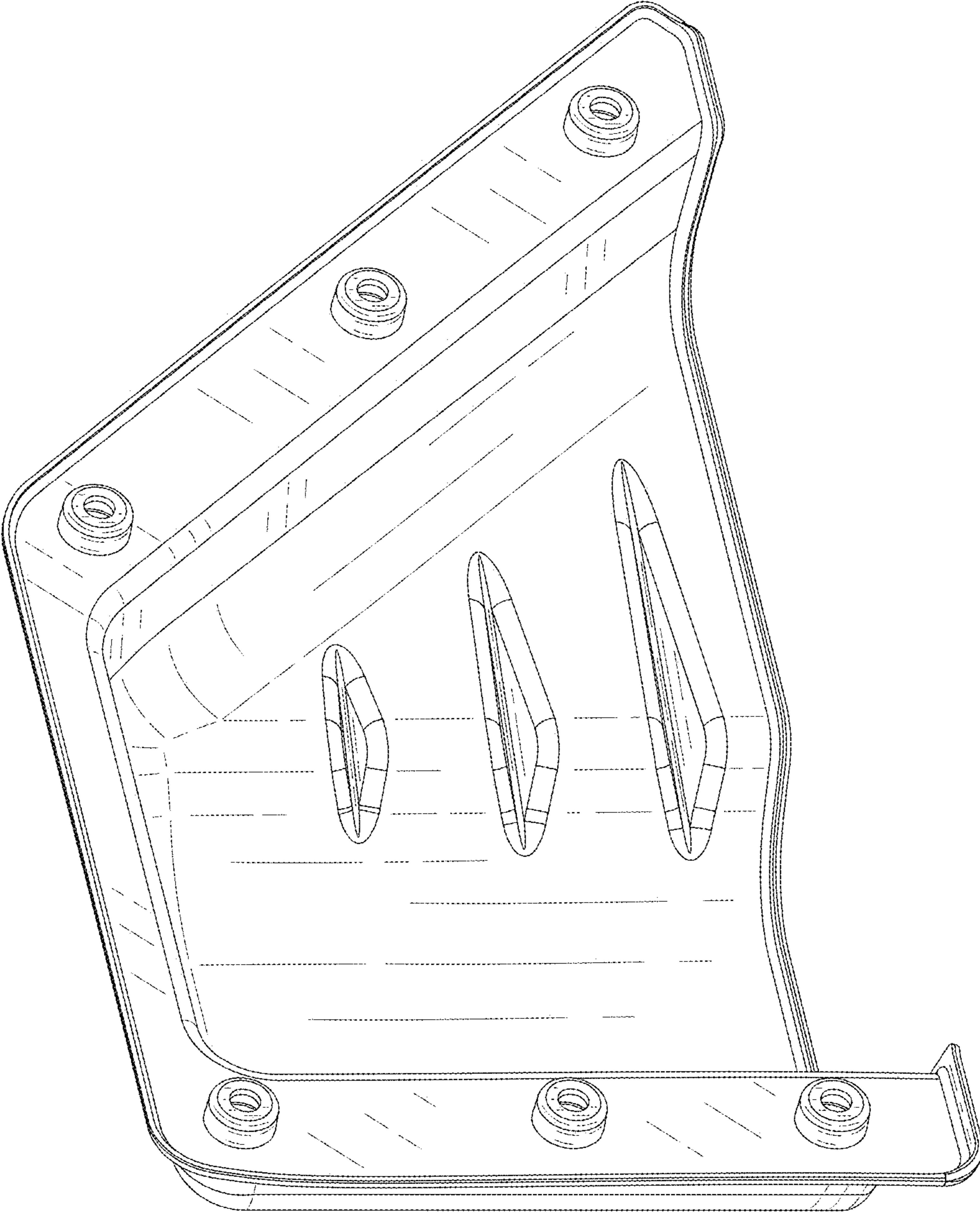


FIG. 2

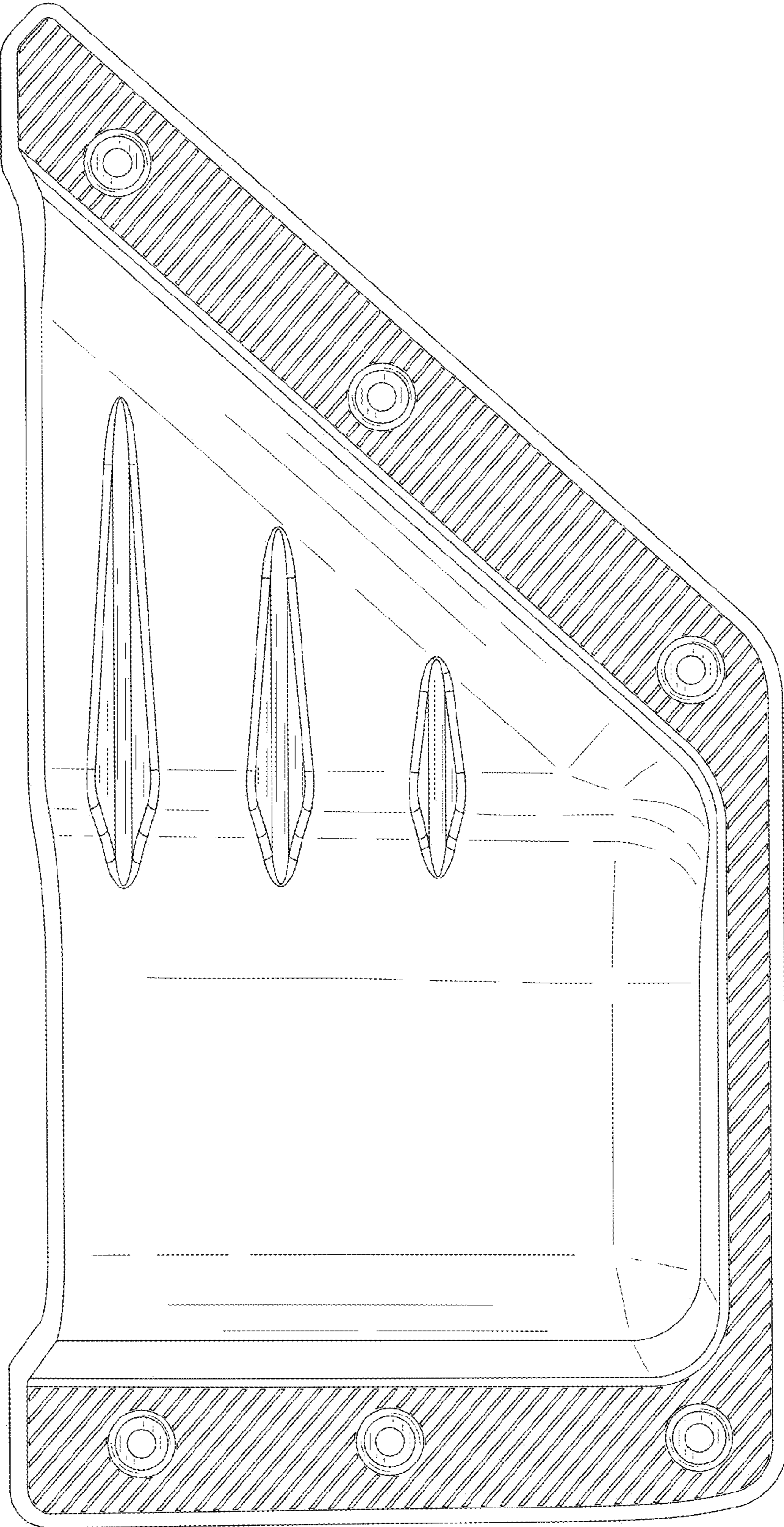


FIG. 3

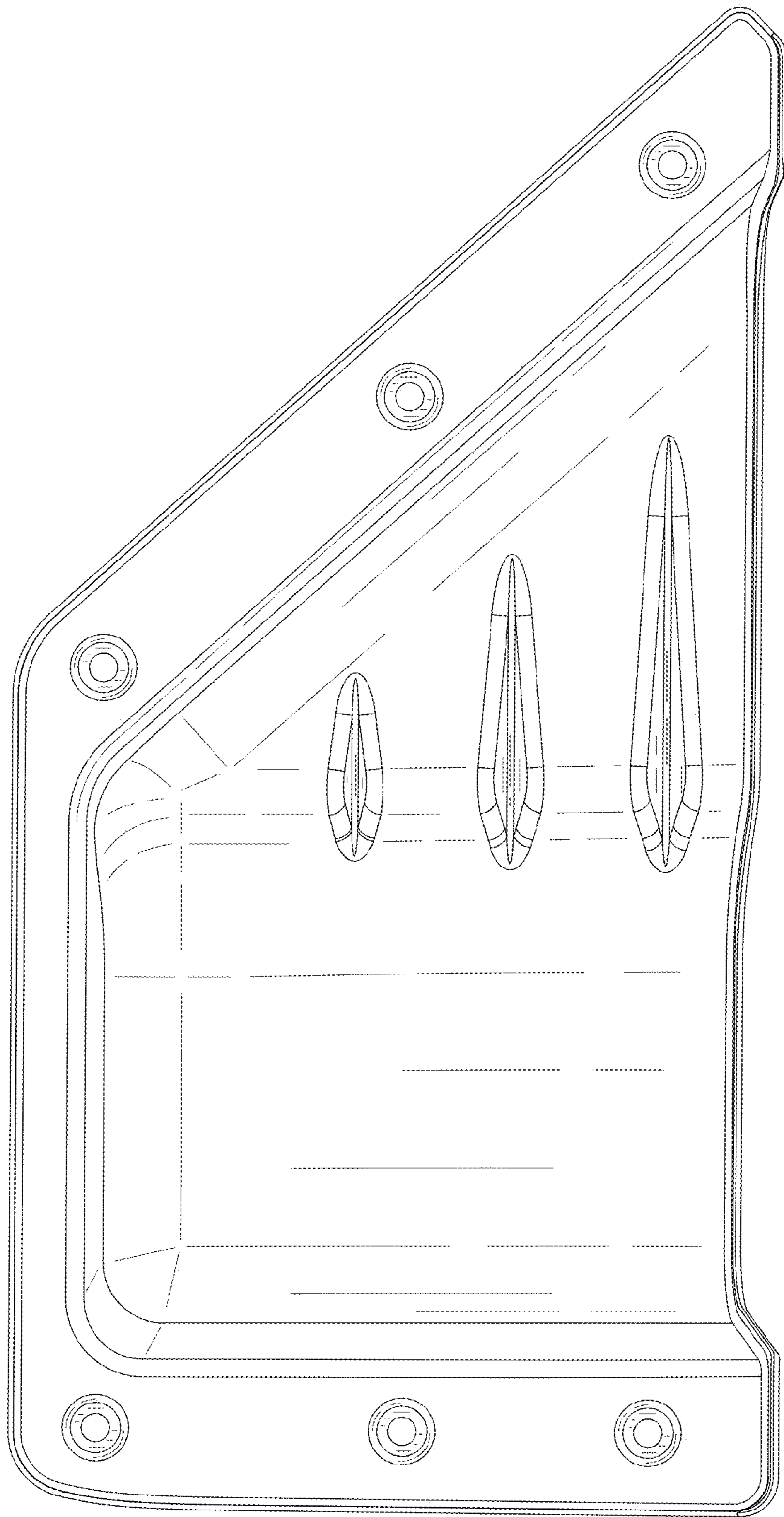


FIG. 4

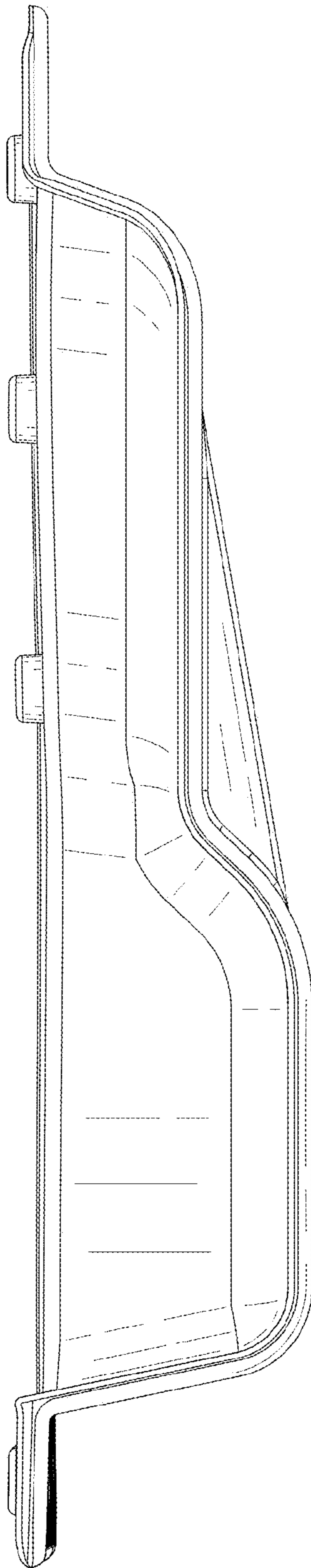


FIG. 5

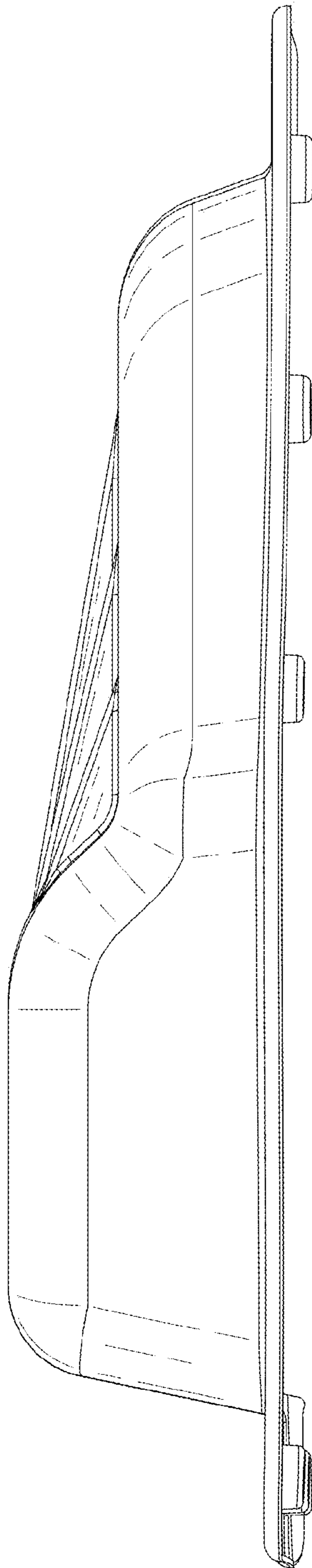


FIG. 6

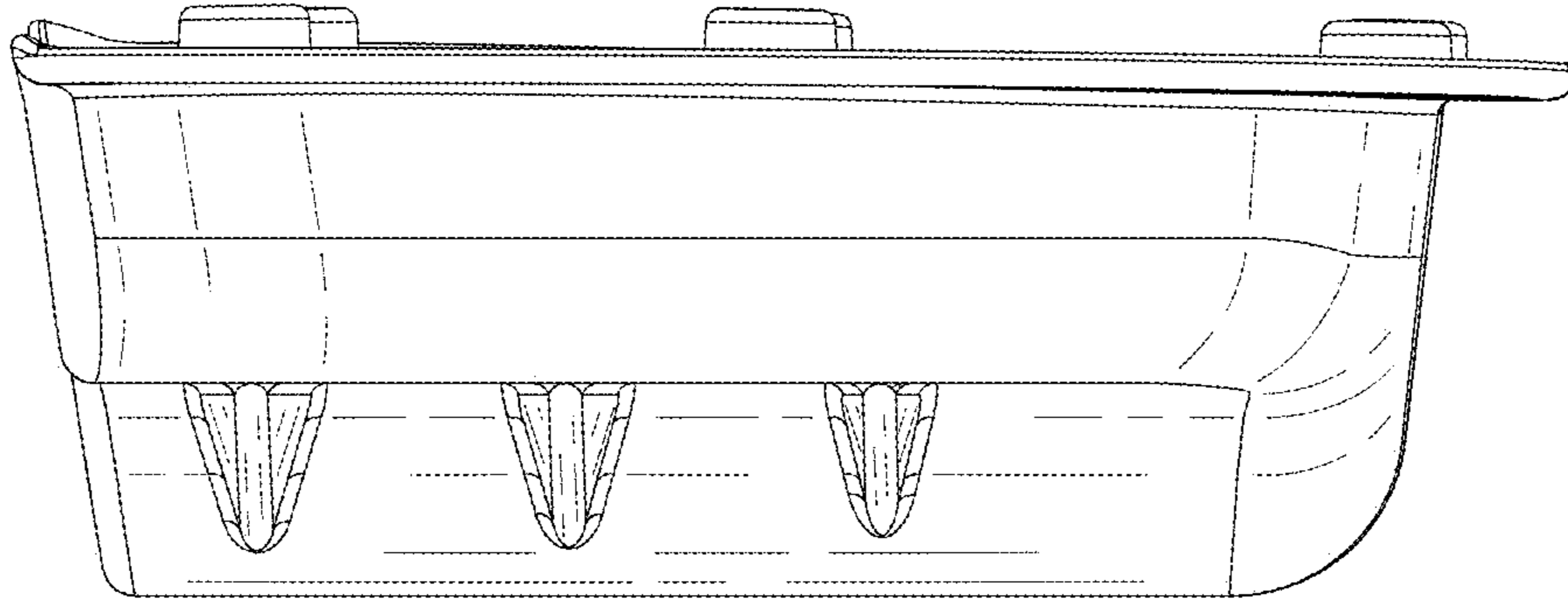


FIG. 7



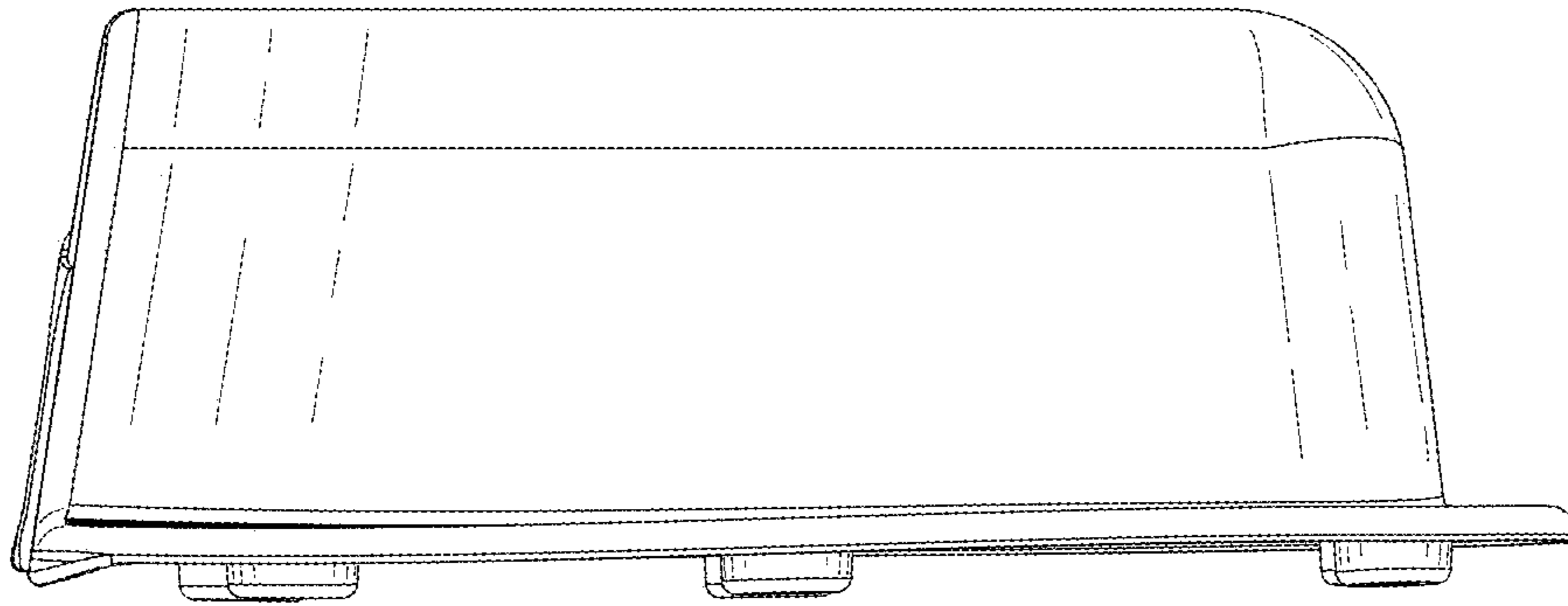


FIG. 8