

US00D960072S

(12) **United States Design Patent** (10) **Patent No.:** **US D960,072 S**
Kim et al. (45) **Date of Patent:** **** Aug. 9, 2022**

(54) **VEHICLE GLASS**

(56) **References Cited**

(71) Applicant: **Canoo Technologies Inc.**, Torrance, CA (US)

U.S. PATENT DOCUMENTS

(72) Inventors: **Richard Kim**, Los Angeles, CA (US); **Brian Oh**, Rancho Palos Verdes, CA (US); **Jackson E. Luttig**, Rancho Palos Verdes, CA (US); **Brian Spencer**, Lakewood, CA (US); **Noah Hammersten**, Studio City, CA (US)

D238,799 S 2/1976 Goldfarb et al.
D262,391 S 12/1981 Kanaoki
D274,637 S 7/1984 Terui et al.
D457,467 S 5/2002 Shimizu
D800,017 S 10/2017 Sapet
D828,792 S * 9/2018 Scott D12/167
D828,793 S * 9/2018 Scott D12/167

(Continued)

(73) Assignee: **Canoo Technologies Inc.**, Torrance, CA (US)

OTHER PUBLICATIONS

(**) Term: **15 Years**

Autonomous Vehicles. (Design—© Questel) orbit.com. [Online PDF compilation of references] 76 pgs. Print Dates Range Jun. 1, 2021-Jun. 15, 2016 [Retrieved Mar. 11, 2022].*

(Continued)

(21) Appl. No.: **29/804,295**

Primary Examiner — Manpreet S Matharu

Assistant Examiner — Suzanne E Tisdell

(22) Filed: **Aug. 19, 2021**

(57) **CLAIM**

The ornamental design for vehicle glass, as shown and described.

Related U.S. Application Data

DESCRIPTION

(60) Division of application No. 29/746,628, filed on Aug. 14, 2020, now Pat. No. Des. 941,706, which is a continuation of application No. 29/742,026, filed on Sep. 24, 2019, now Pat. No. Des. 941,184.

(51) **LOC (13) Cl.** **12-16**

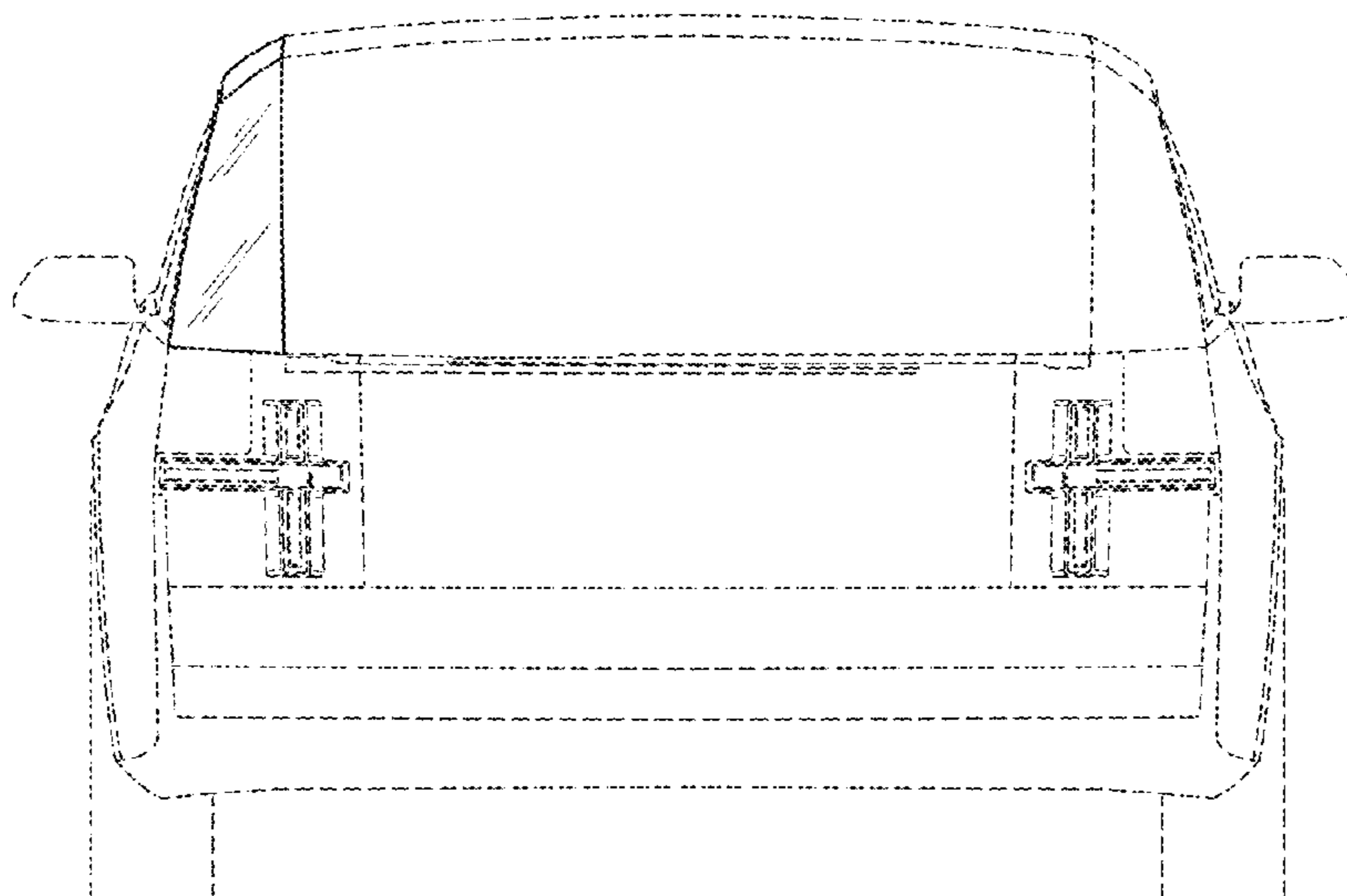
(52) **U.S. Cl.**
USPC **D12/401**

(58) **Field of Classification Search**
USPC D12/1, 14, 82, 86, 93–100, 401;
D21/533, 552–560
CPC B60F 3/0061; B62D 35/00; B62D 33/00;
B62D 25/00; B62D 25/06; B62D 33/06;
B62D 33/0607; B62D 33/0621; B62D
33/0625; B62D 39/00; B62D 49/005;
B62D 49/007

FIG. 1 is a front view of vehicle glass according to a first embodiment of the invention;
FIG. 2 is a rear view thereof;
FIG. 3 is a left side view thereof;
FIG. 4 is right side view thereof;
FIG. 5 is a top view thereof; and
FIG. 6 is a perspective view thereof.
FIG. 7 is a front view of vehicle glass according to a second embodiment of the invention;
FIG. 8 is a rear view thereof;
FIG. 9 is a left side view thereof;
FIG. 10 is right side view thereof;
FIG. 11 is a top view thereof; and
FIG. 12 is a perspective view thereof.
Features shown in broken lines do not form part of the claimed design.

See application file for complete search history.

1 Claim, 12 Drawing Sheets



(56)

References Cited

U.S. PATENT DOCUMENTS

D828,794	S *	9/2018	Scott	D12/167
D832,742	S	11/2018	Fisker		
D833,366	S *	11/2018	Dowdey	D12/401
D839,784	S	2/2019	Sugawara et al.		
D847,724	S *	5/2019	Sprowl	D12/401
D859,282	S *	9/2019	Dowdey	D12/401
D860,862	S	9/2019	Janin		
D863,197	S *	10/2019	Gordon	D12/401
D875,185	S	2/2020	Zeng		
10,769,940	B2	9/2020	Hur		
D897,930	S *	10/2020	MacIndoe	D12/401
10,821,776	B1	11/2020	Labadie et al.		
10,829,145	B2	11/2020	Washnock et al.		
10,870,361	B2	12/2020	Hara et al.		
D909,280	S *	2/2021	Thibodeau	D12/401
10,951,044	B2	3/2021	Choi et al.		
10,959,892	B2	3/2021	Yamada et al.		
10,974,582	B2	4/2021	Hara		
10,983,199	B2	4/2021	Adams et al.		
11,034,254	B2	6/2021	Booth et al.		
11,040,609	B2	6/2021	Hara et al.		
D924,779	S *	7/2021	Emerson	D12/401
D930,550	S *	9/2021	Oliver	D12/401
D930,552	S *	9/2021	Dowdey	D12/401
D937,750	S *	12/2021	Salas	D12/401

OTHER PUBLICATIONS

Canoo Unveils World's First Subscription-only Electric Vehicle. Sep. 24, 2019. Canoo. <https://www.press.canoo.com/press-release/canoo-unveils-worlds-first-subscription-only-electric-vehicle>.*

Mihalascu, Dan. Canoo To Build First EV In 2022 In Arkansas, Not The Netherlands. Dec. 20, 2021. Inside EVs. <https://insideevs.com/news/555763/canoo-cancels-vdlnedcar-contract-manufacturing/>.*

Adler, Alan. Electric multipurpose vehicle maker Canoo nears public debut. Dec. 7, 2020. Modern Shipper. <https://www.freightwaves.com/reveal-of-first-vehicle-dec-17-will-be-followed-by-business-combination-vote>.*

“Electric Vehicle (Design—© Questel) orbit.com [Online PDF compilation of references] 49 pgs. Print Dates Range Jan. 20, 2021-Mar. 28, 2019 [Retrieved Jun. 29, 2021]”.

Reynolds, Kim. “The Canoo Electric Car: 6 Thoughts After Visiting the EV Startup.” Aug. 17, 2019. Motor Trend. <https://www.motortrend.com/news/canoo-electric-car-6-thoughts-ev-startup/>.

Abuelsamid, Sam. “Introducing Canoo, No Paddles Required for This Electric Van.” Sep. 24, 2019. Forbes. https://www.forbes.com/sites/samabuelsamid/2019/09/24/introducing-canoo-no-paddles-required-for-this-electric-van/sh?_a231b27641d.

OKane, Sean. “Canoo's First Subscription-Only EV is a Refreshing Rethink of the VW Microbus.” Sep. 24, 2019. The Verge. <https://www.theverge.com/2019/9/24/20882538/canoo-evelozcity-ev-subscription-electric-vehicle>.

* cited by examiner

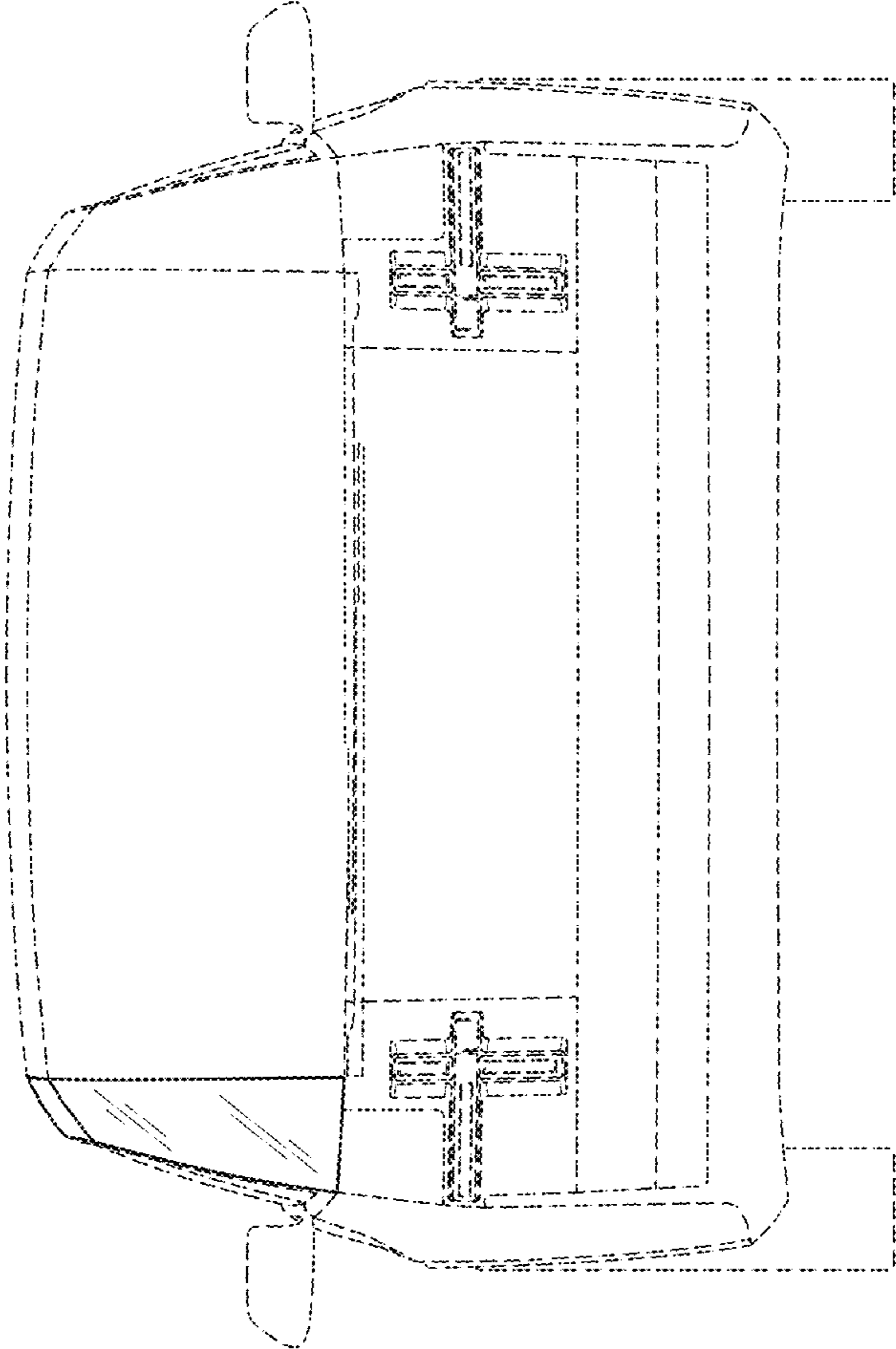


Fig. 1

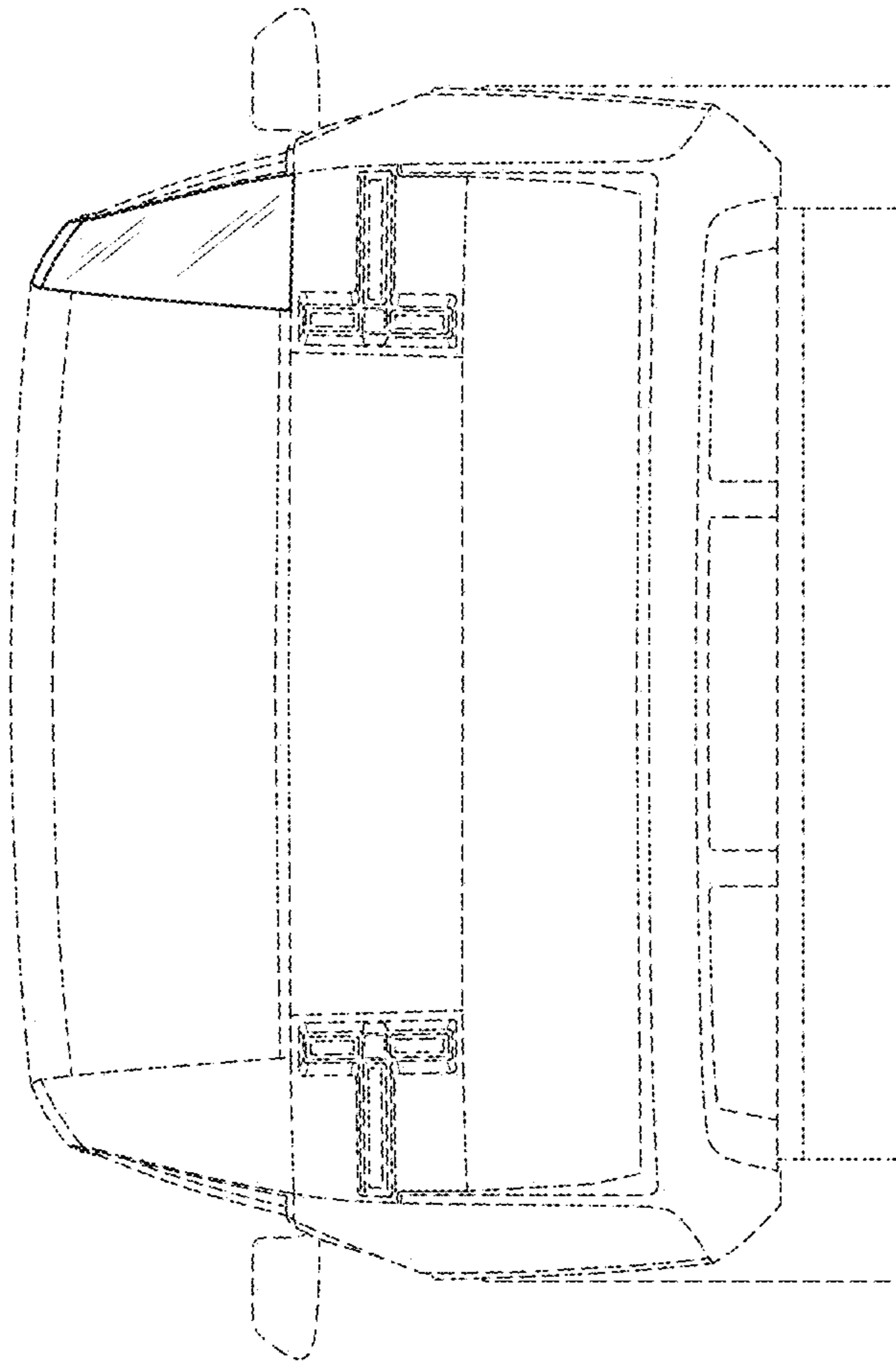


Fig. 2

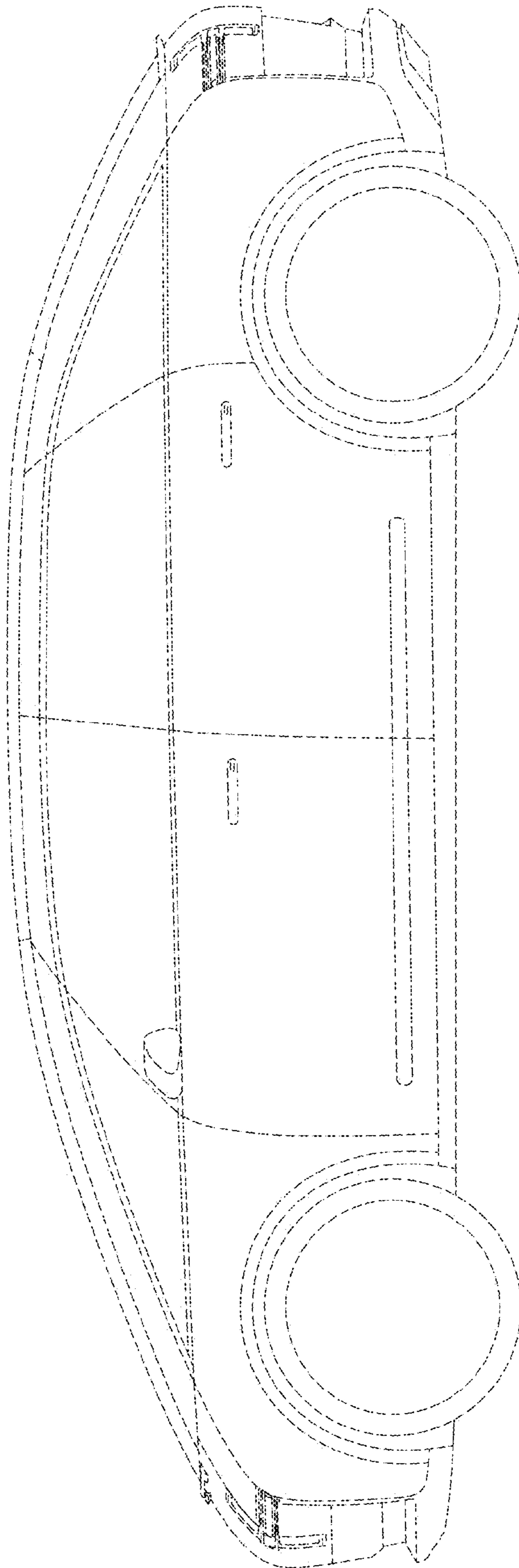


Fig. 3

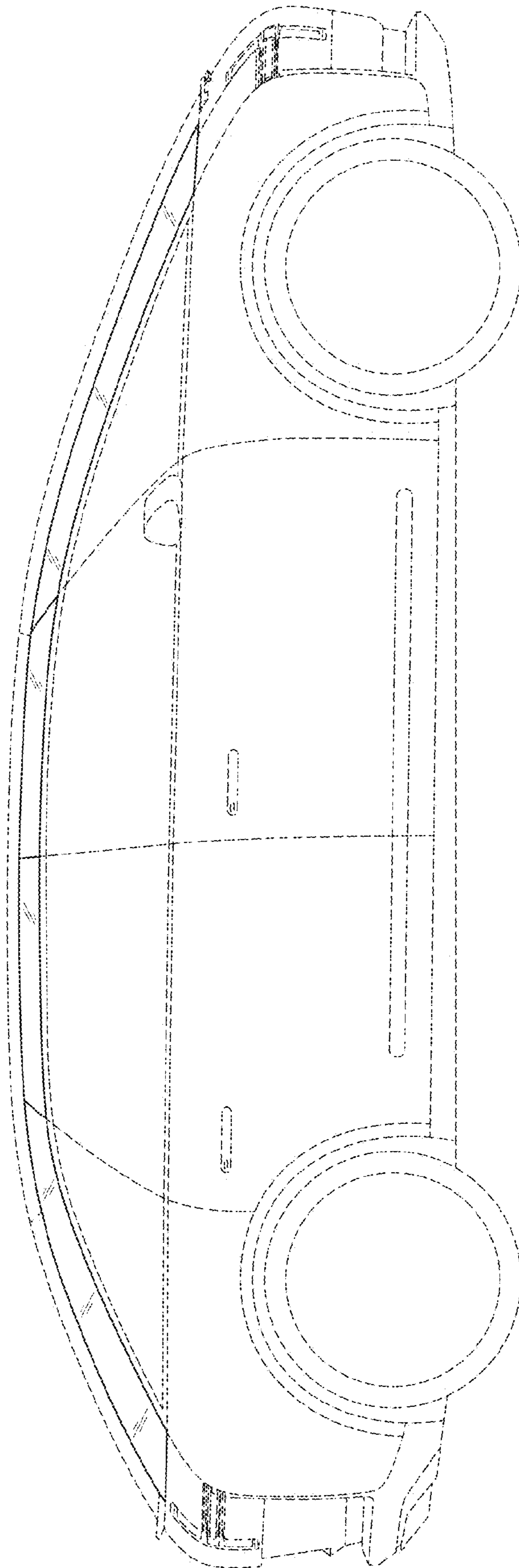


Fig. 4

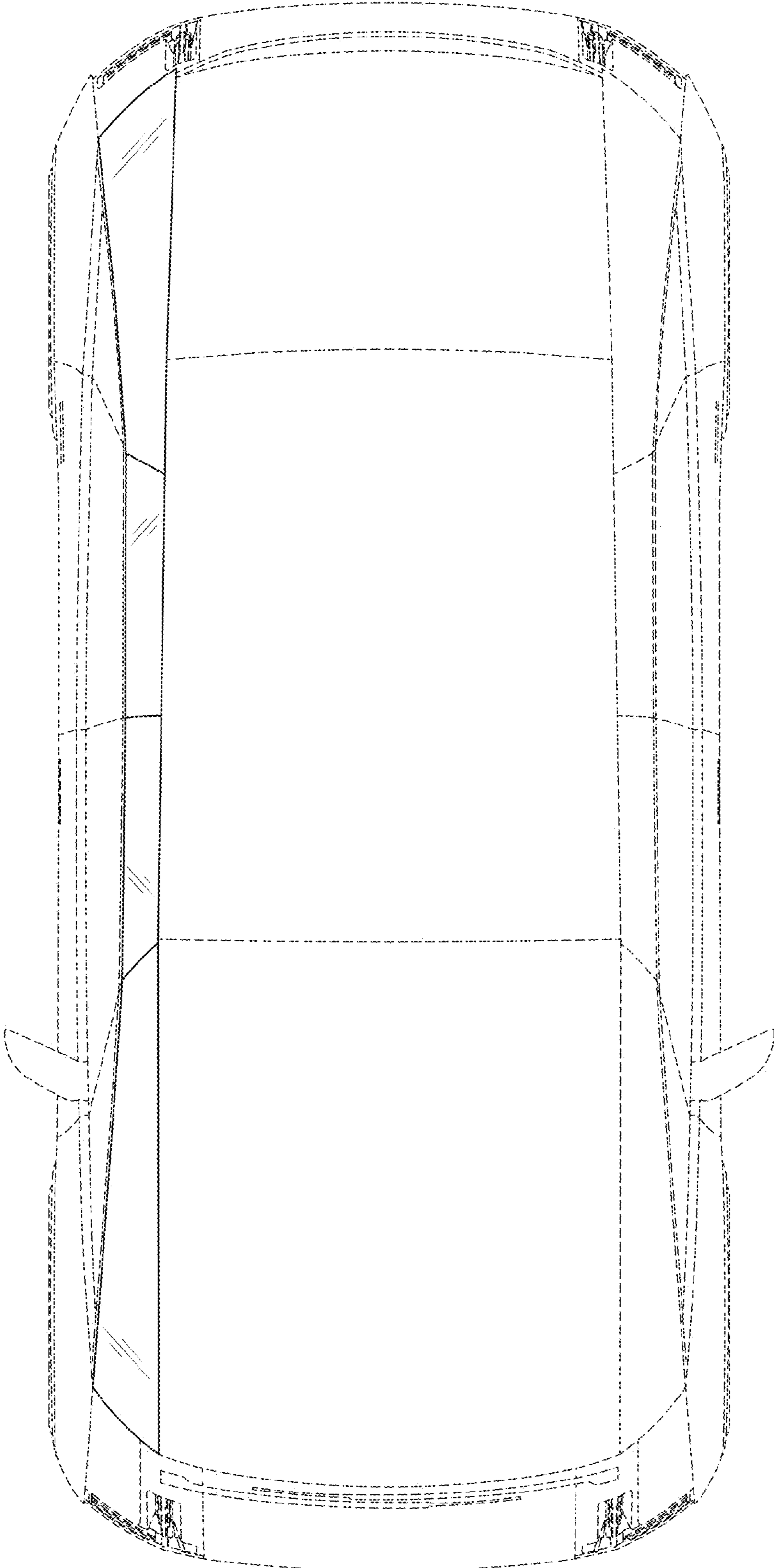


Fig. 5

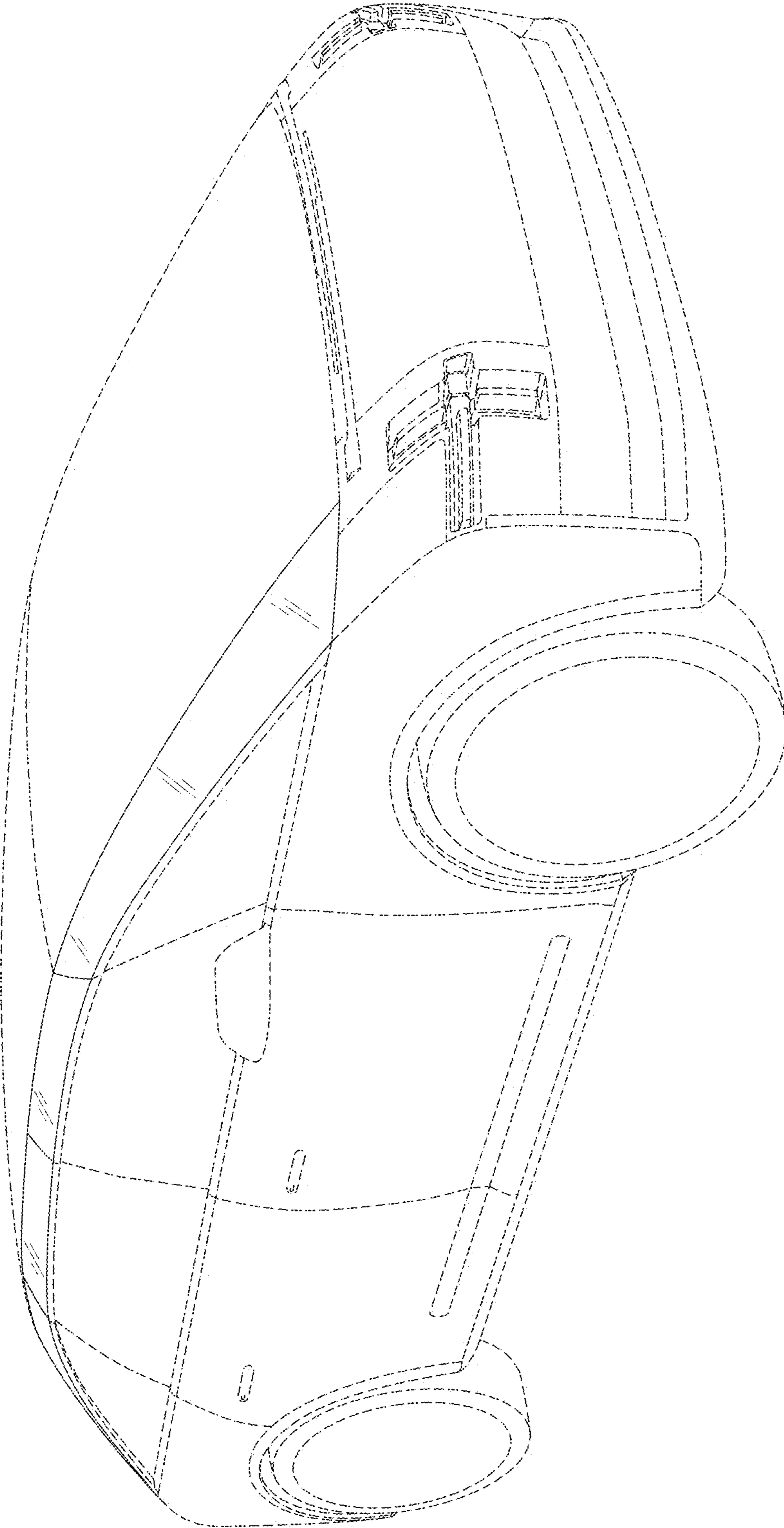


Fig. 6

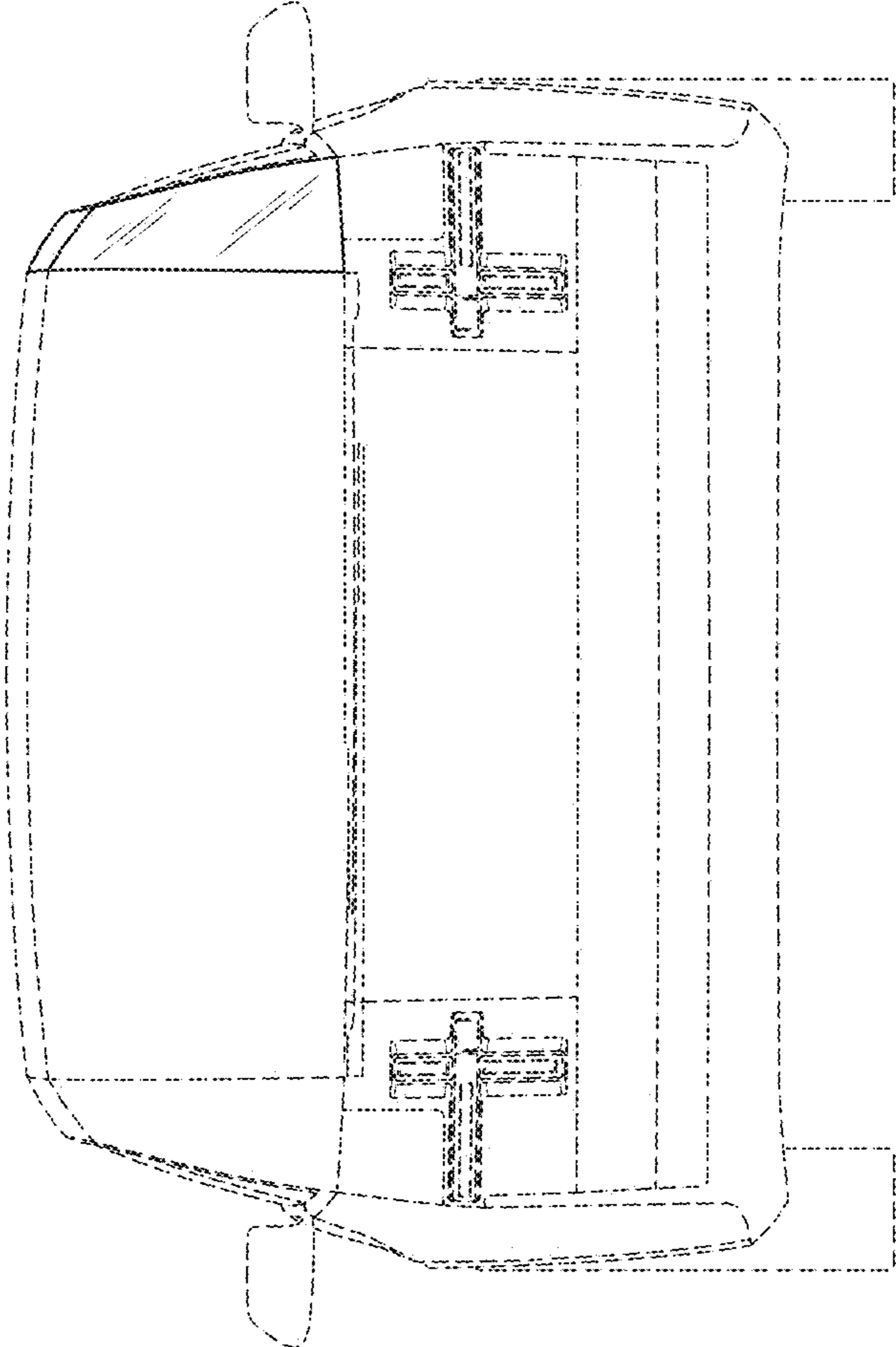


Fig. 7

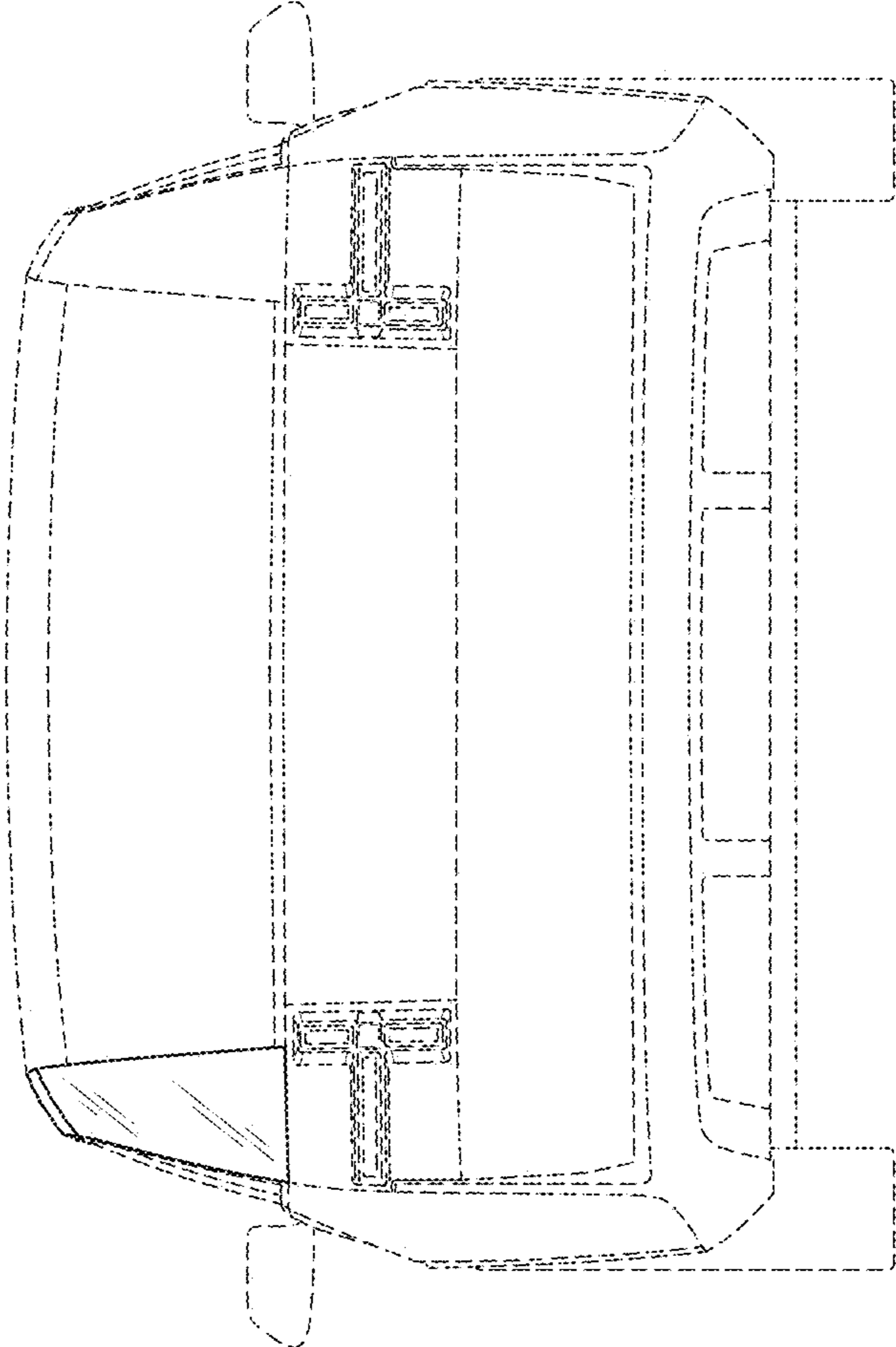


Fig. 8

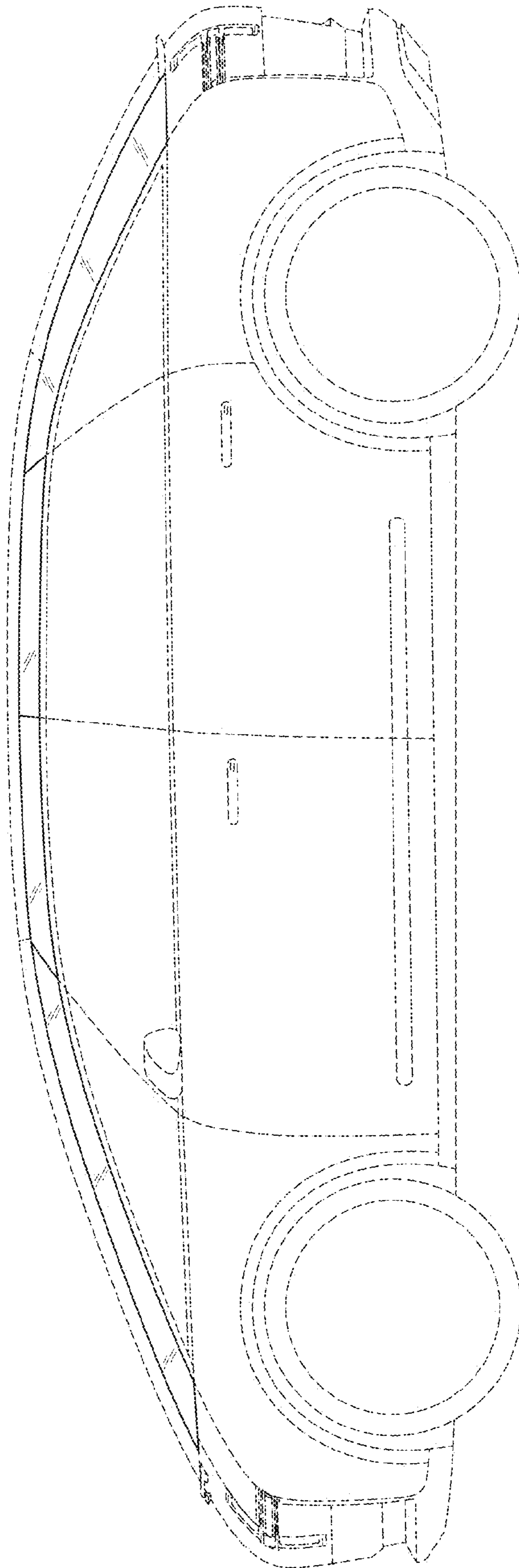


Fig. 9

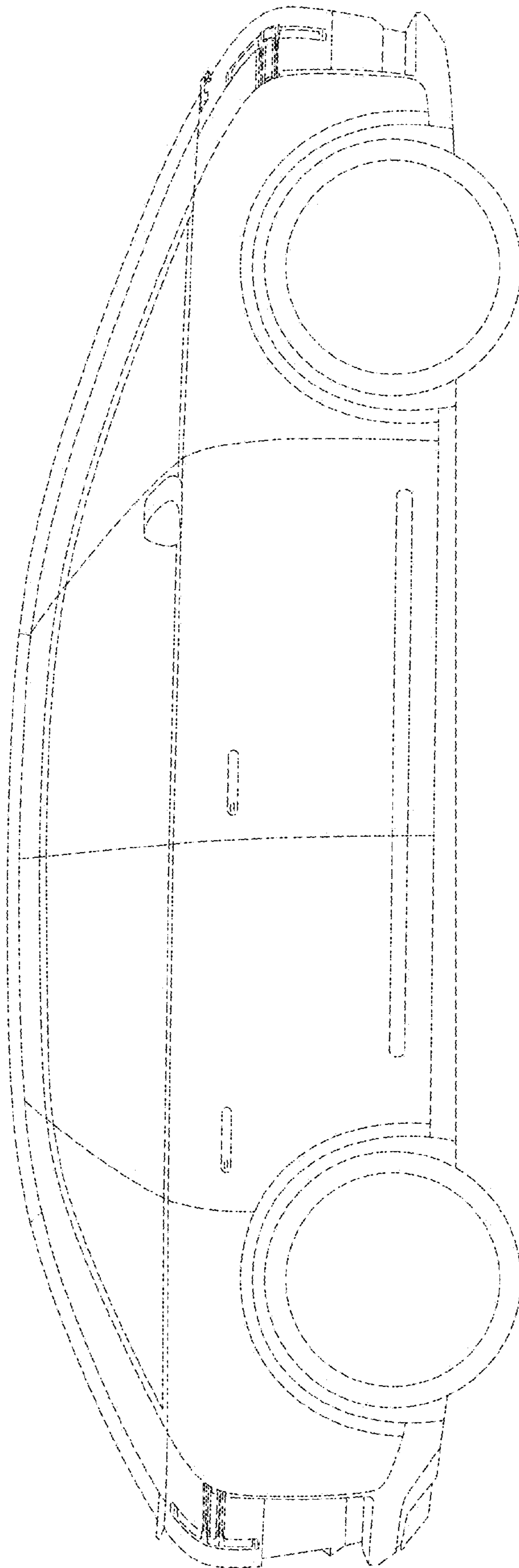


Fig. 10

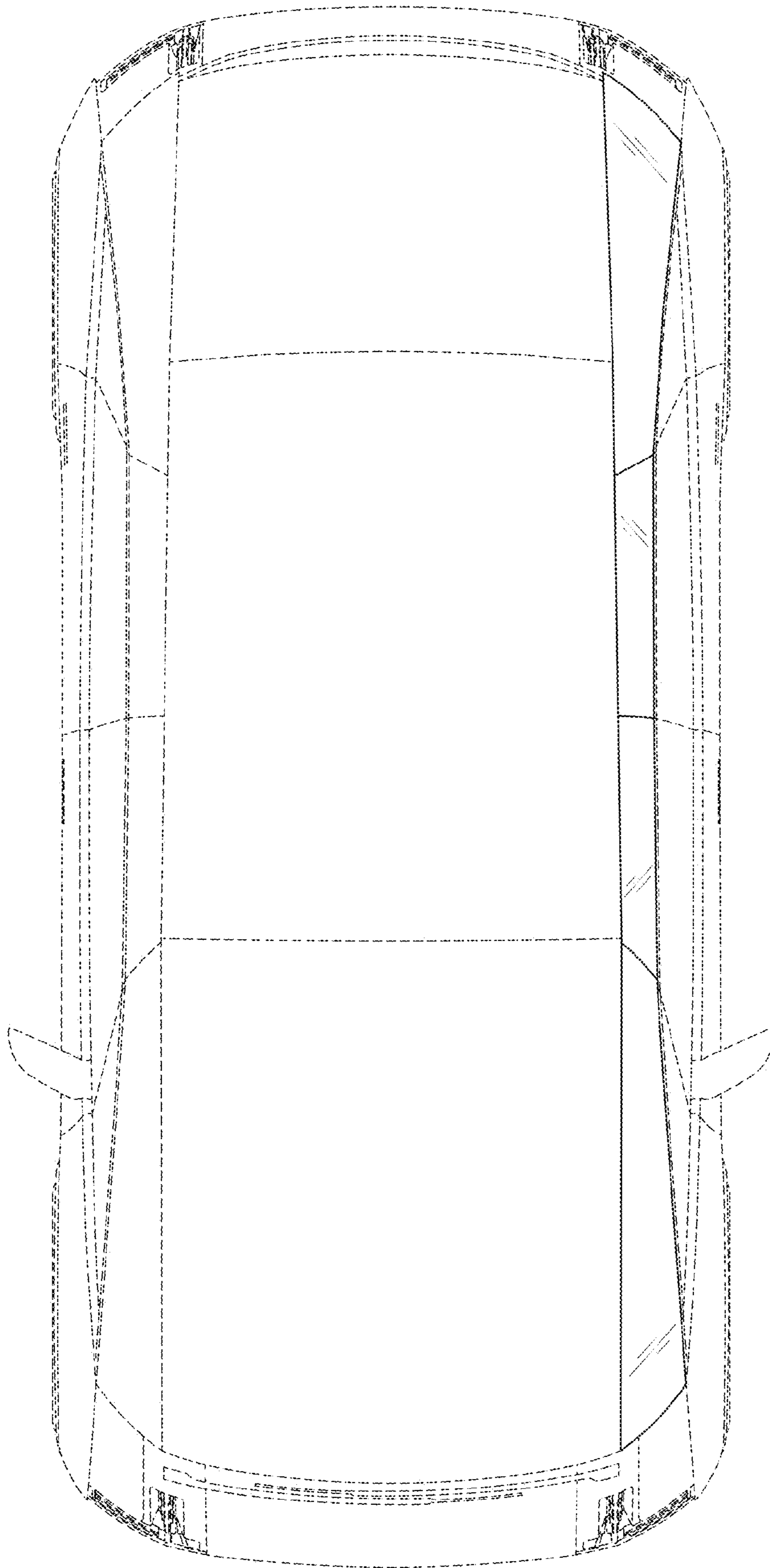


Fig. 11

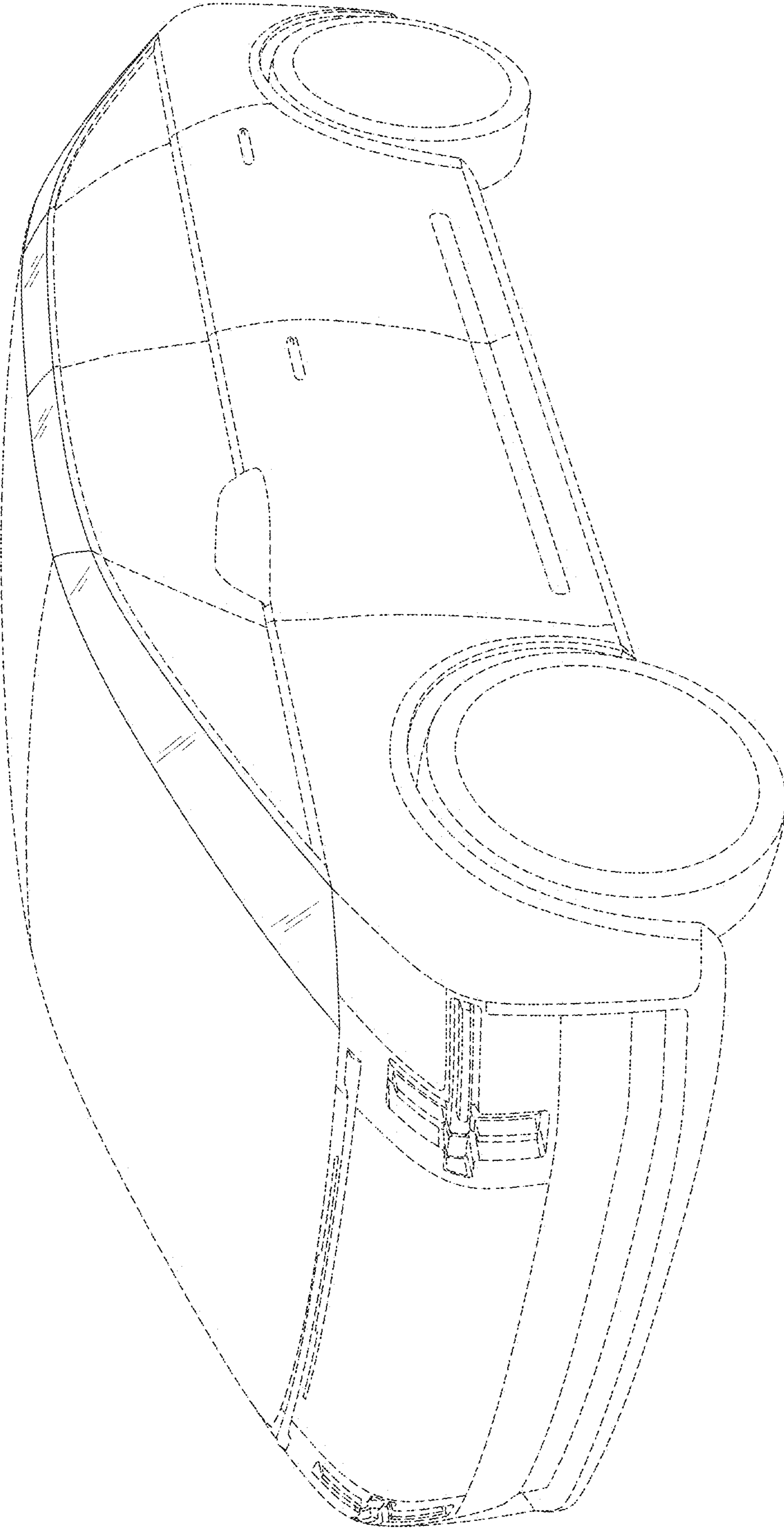


Fig. 12