



US00D960071S

(12) **United States Design Patent**  
**Nichols**

(10) **Patent No.:** **US D960,071 S**

(45) **Date of Patent:** **\*\* Aug. 9, 2022**

(54) **VEHICLE PANEL TRIM**

(71) Applicant: **Rivian IP Holdings, LLC**, Plymouth, MI (US)

(72) Inventor: **Christopher Nichols**, Detroit, MI (US)

(73) Assignee: **Rivian IP Holdings, LLC**, Irvine, CA (US)

(\*\*) Term: **15 Years**

(21) Appl. No.: **29/756,524**

(22) Filed: **Oct. 29, 2020**

(51) **LOC (13) Cl.** ..... **12-07**

(52) **U.S. Cl.**  
USPC ..... **D12/345**

(58) **Field of Classification Search**  
USPC ..... D23/271, 274; D12/345, 106, 195, 20,  
D12/42, 43, 44, 317, 319, 356, 421, 84,  
D12/400, 406, 411, 426  
CPC ..... B60R 21/12; B64D 11/0691  
See application file for complete search history.

(56) **References Cited**

U.S. PATENT DOCUMENTS

D456,338 S *	4/2002	Granzeier	.....	D12/345
D566,649 S *	4/2008	Panasewicz	.....	D12/426
D628,138 S *	11/2010	Collins	.....	D12/345
D749,709 S *	2/2016	Cook	.....	D23/271
D764,031 S *	8/2016	Cook	.....	D23/271
D788,684 S *	6/2017	Sethapun	.....	D12/345
D796,422 S *	9/2017	Hodges	.....	D12/426
D811,971 S *	3/2018	Lokers	.....	D12/195
D818,920 S *	5/2018	Hodges	.....	D12/195

D833,354 S *	11/2018	Hodges	.....	D12/195
10,640,069 B2 *	5/2020	Gardner	.....	B60R 21/12
D900,005 S *	10/2020	Lamanna	.....	D12/400
D911,899 S *	3/2021	Aung	.....	D12/195
2014/0027572 A1 *	1/2014	Ehlers	.....	B64D 11/0691 244/118.6

\* cited by examiner

*Primary Examiner* — Kevin K Rudzinski

*Assistant Examiner* — Jerry Shiu-an-Hua Hsu

(74) *Attorney, Agent, or Firm* — Clements Bernard Baratta; Christopher L. Bernard

(57) **CLAIM**

I claim the ornamental design for a vehicle panel trim, as shown and described.

**DESCRIPTION**

FIG. 1 is a perspective view of a vehicle panel trim, showing my new design.

FIG. 2 is a front elevation view of the vehicle panel trim of FIG. 1.

FIG. 3 is a rear elevation view of the vehicle panel trim of FIG. 1.

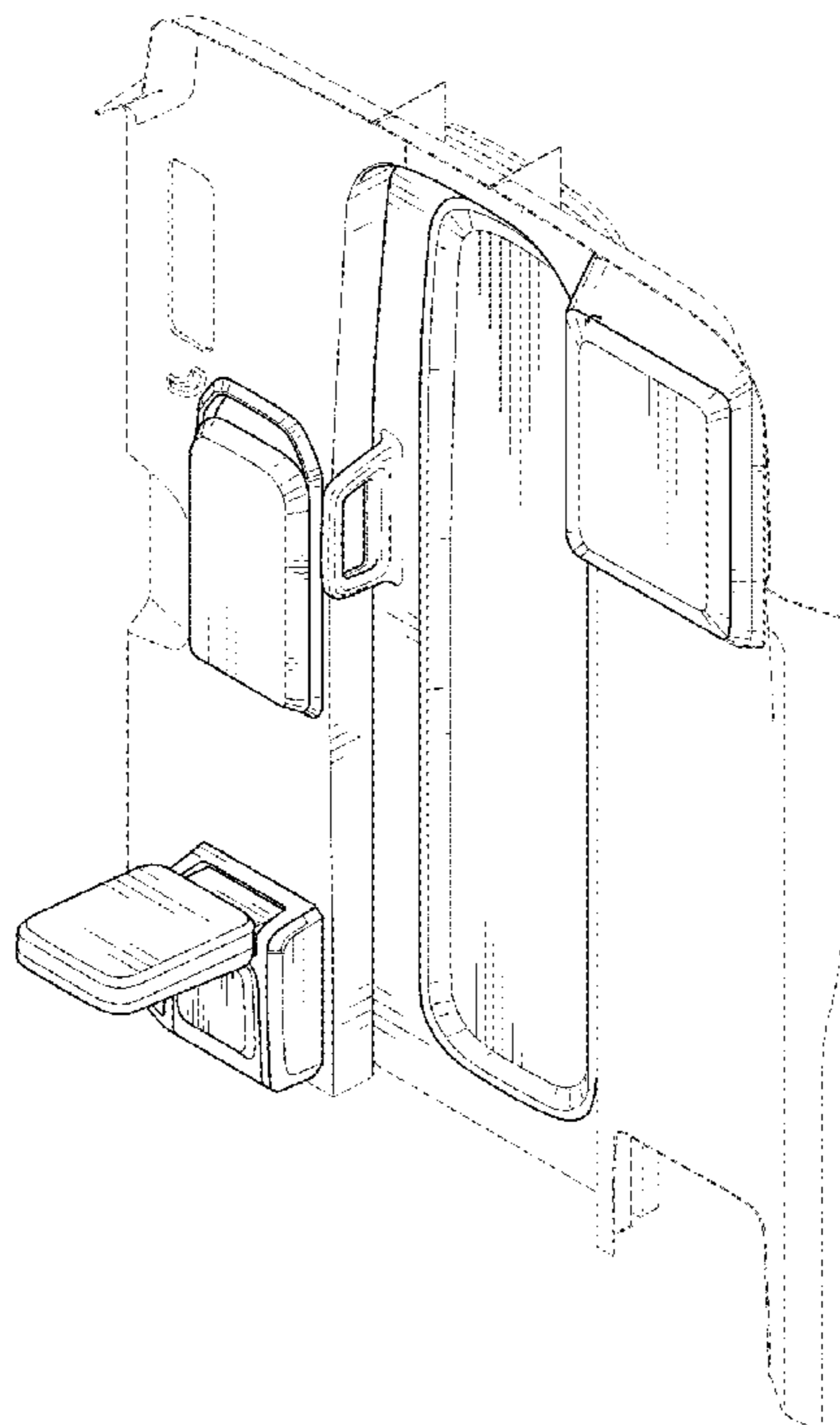
FIG. 4 is a left side elevation view of the vehicle panel trim of FIG. 1.

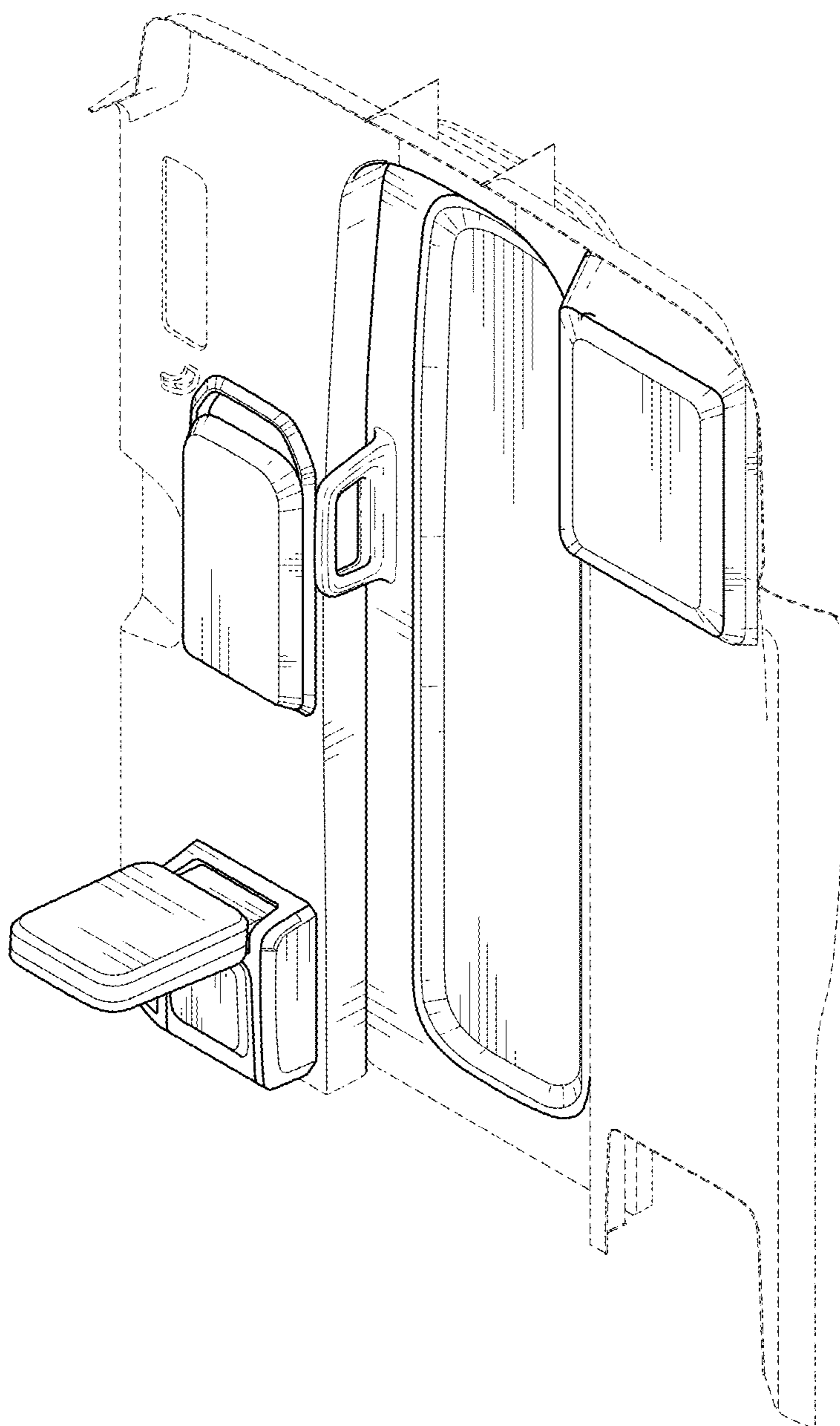
FIG. 5 is a right side elevation view of the vehicle panel trim of FIG. 1.

FIG. 6 is a top plan view of the vehicle panel trim of FIG. 1; and,

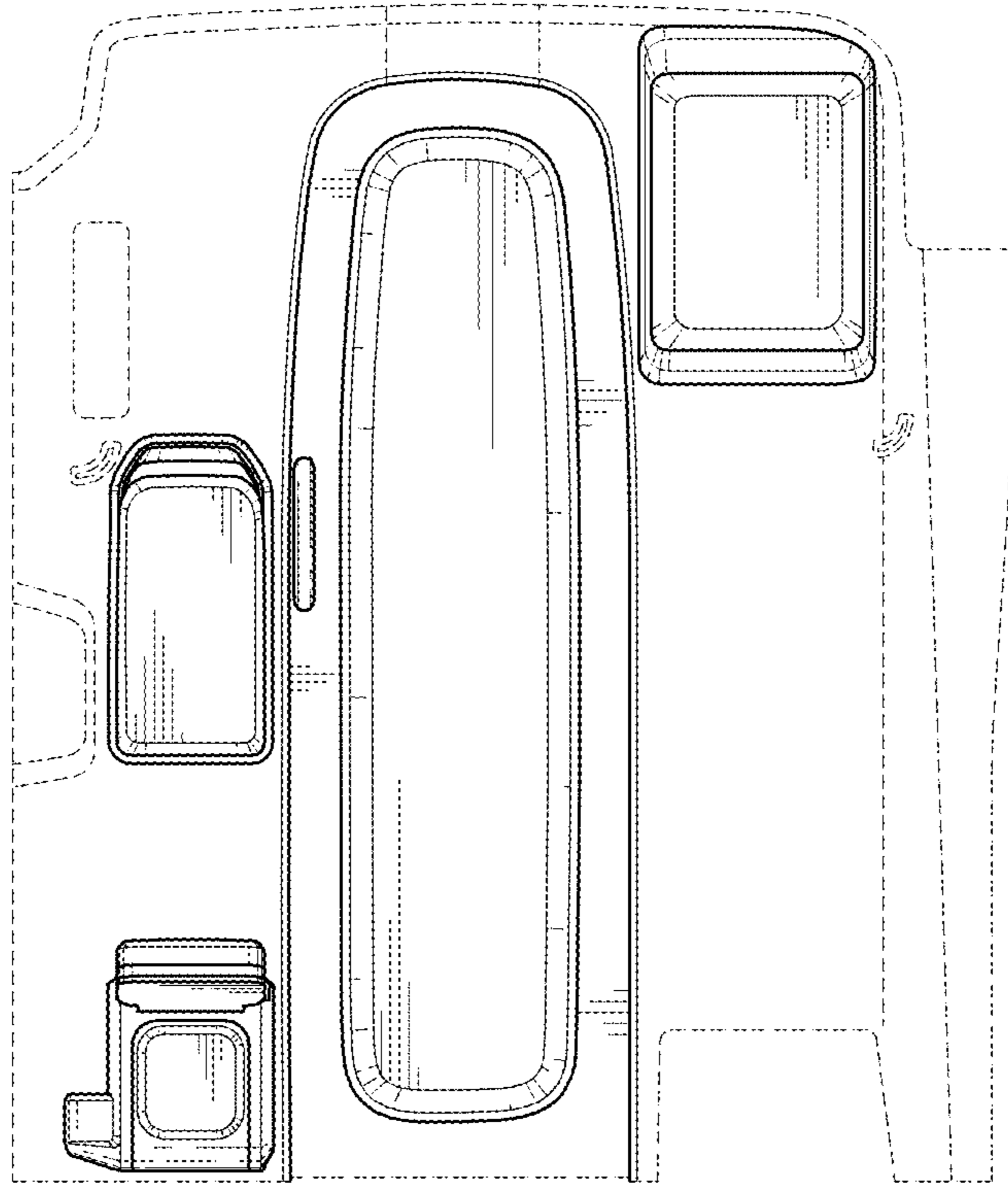
FIG. 7 is a bottom view of the vehicle panel trim of FIG. 1. The broken lines illustrate portions of the vehicle panel trim that form no part of the claimed design.

**1 Claim, 3 Drawing Sheets**

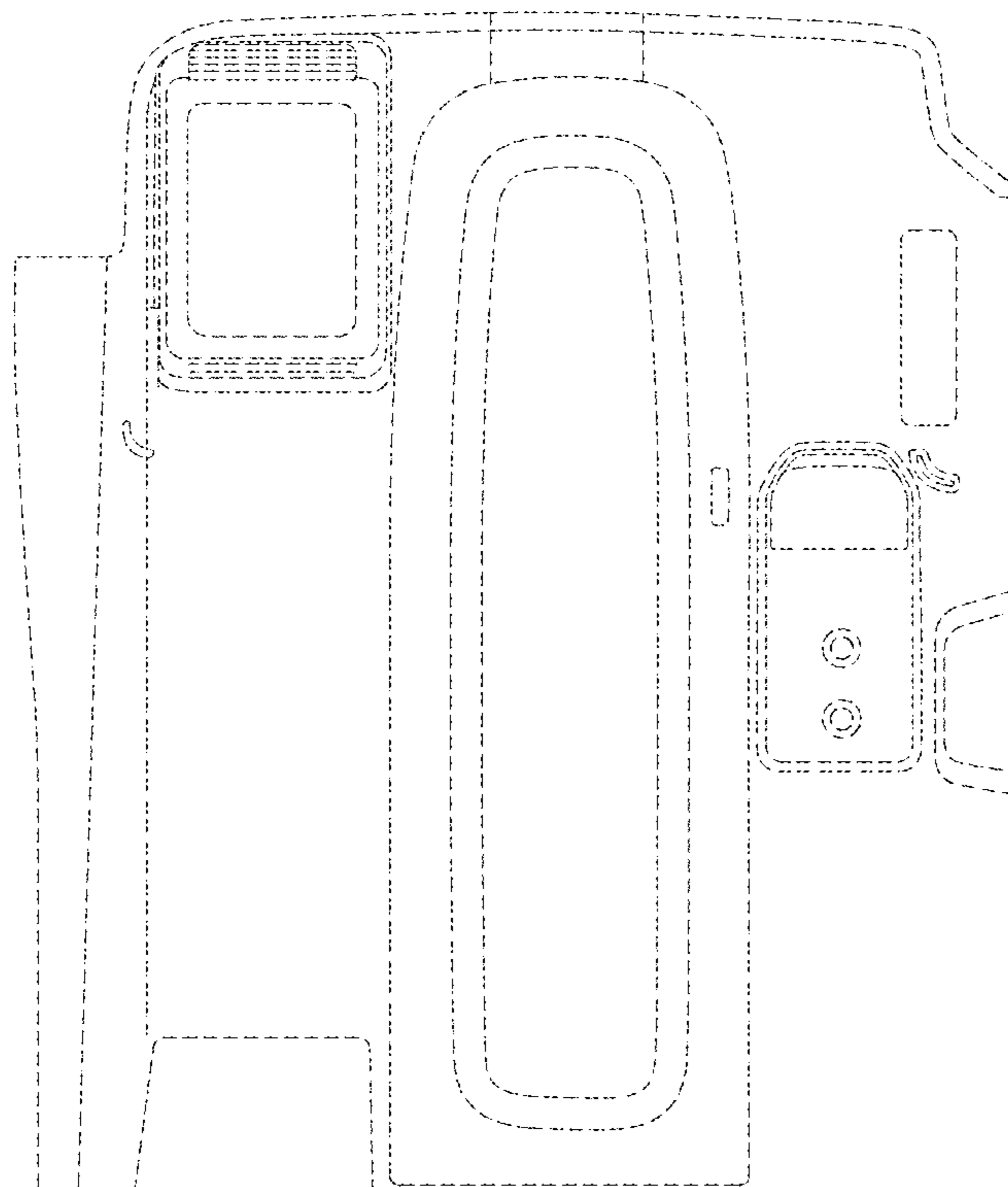




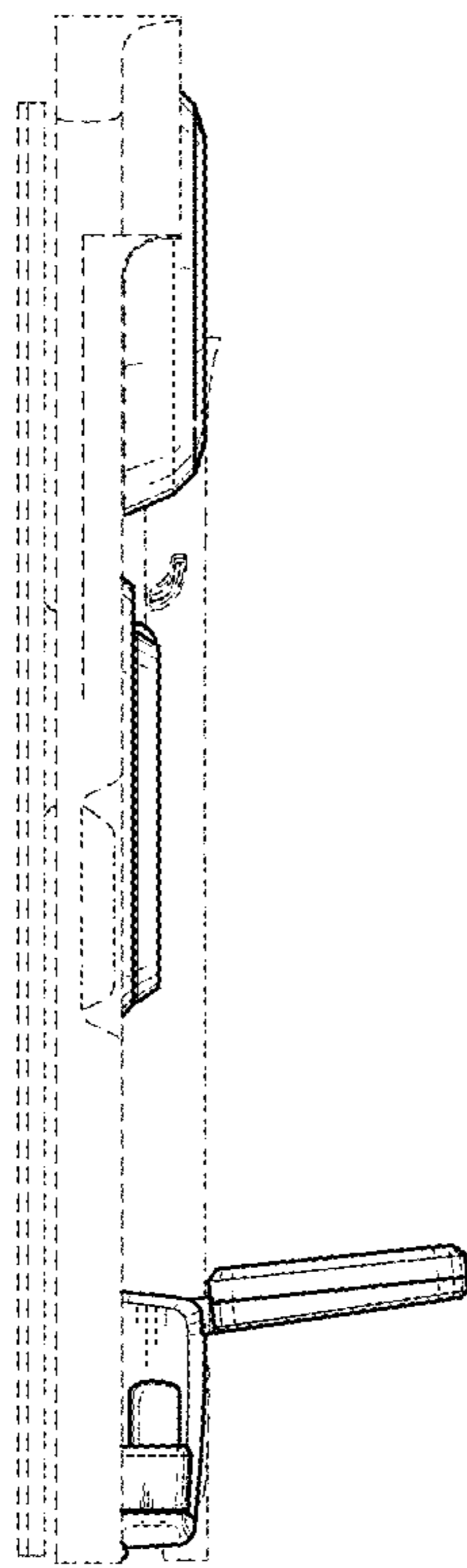
*Fig. 1*



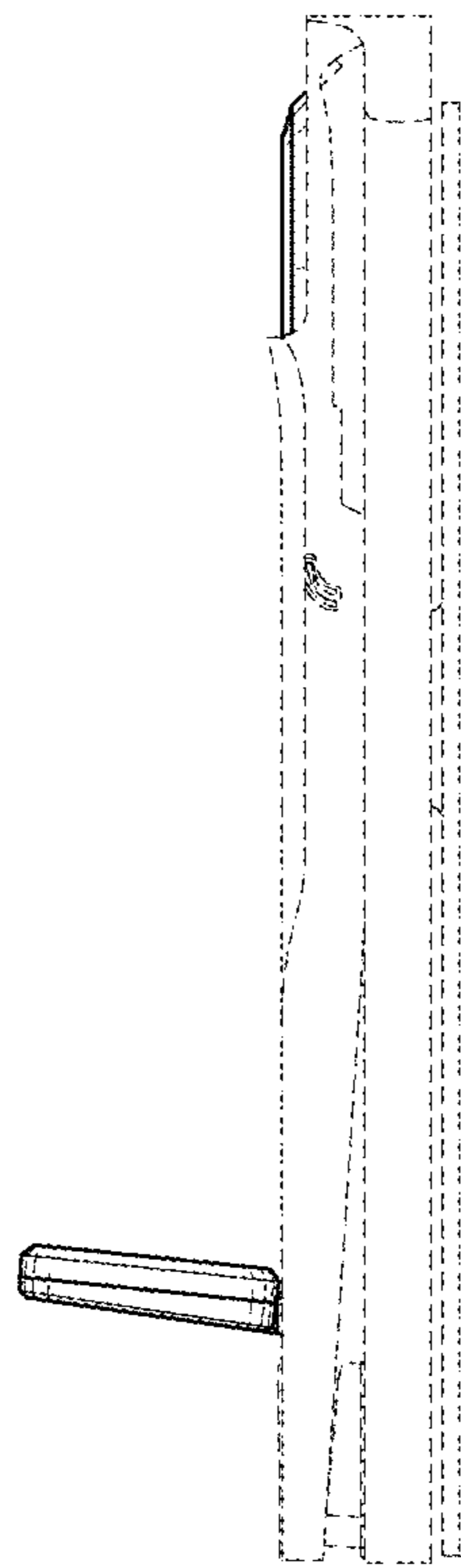
*Fig. 2*



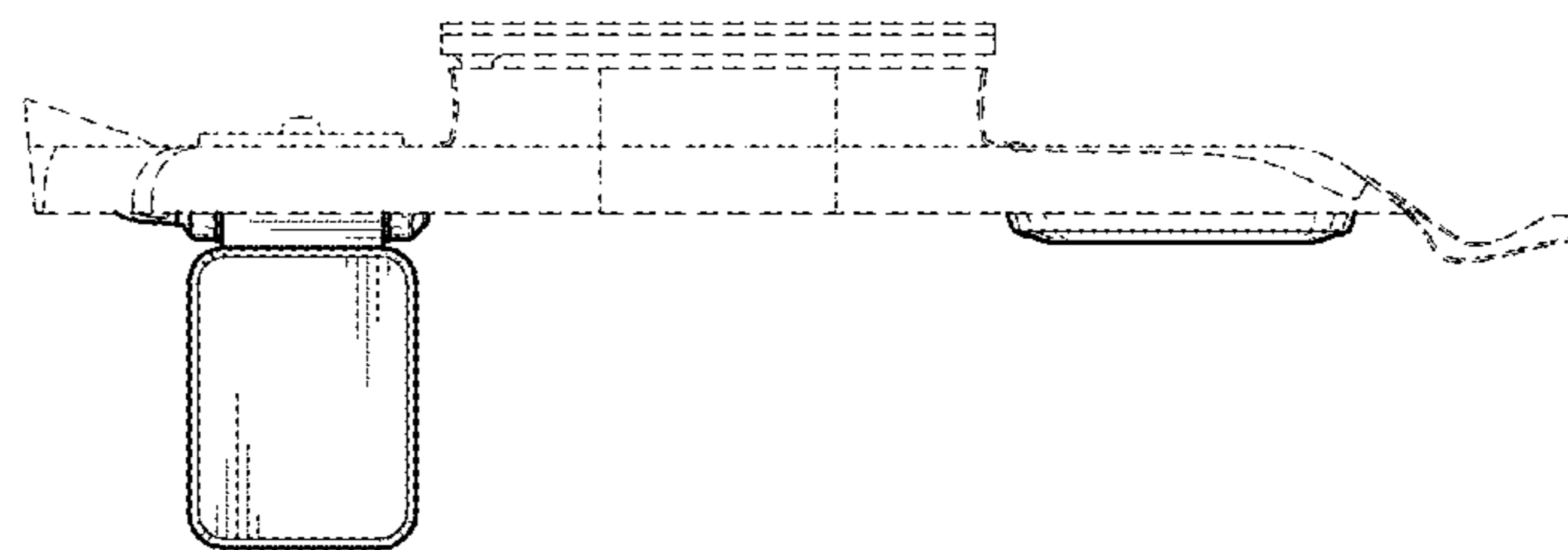
*Fig. 3*



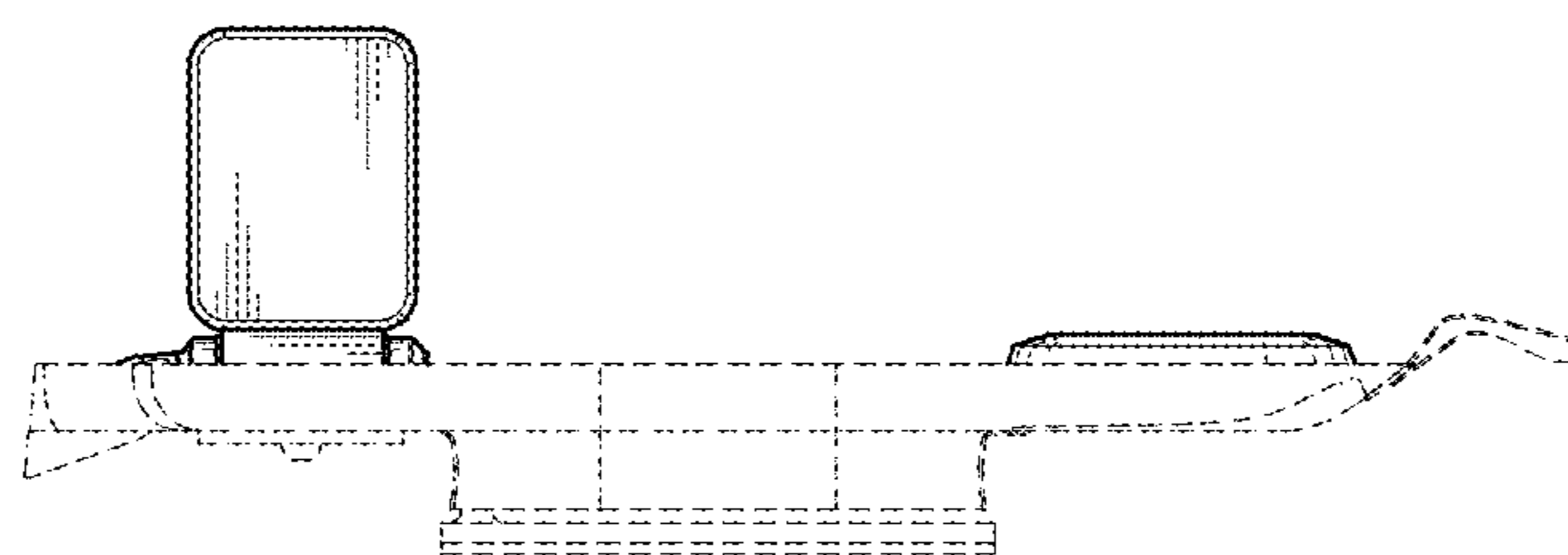
*Fig. 4*



*Fig. 5*



*Fig. 6*



*Fig. 7*