



US00D960068S

(12) **United States Design Patent** (10) **Patent No.:** **US D960,068 S**
Stevens et al. (45) **Date of Patent:** **** Aug. 9, 2022**

(54) **WHEEL**
(71) Applicant: **Tredit Tire & Wheel Company, Inc.**,
Elkhart, IN (US)
(72) Inventors: **Jeffrey L. Stevens**, Elkhart, IN (US);
Michael L. Gerowitz, Elkhart, IN (US)
(73) Assignee: **Tredit Tire & Wheel Company, Inc.**,
Elkhart, IN (US)

D714,706 S 10/2014 Chung D12/211
D740,735 S 10/2015 Matsumura D12/211
D786,163 S 5/2017 Wuescher D12/211
D818,412 S * 5/2018 Oldham D12/211
D830,932 S * 10/2018 Zhao D12/209
D844,531 S * 4/2019 Luo D12/211
D857,580 S * 8/2019 Liffick D12/209
D860,096 S * 9/2019 Milani D12/209
D860,097 S * 9/2019 Milani D12/209
D860,099 S * 9/2019 Milani D12/209
D867,960 S * 11/2019 Aslam D12/209
D889,372 S * 7/2020 Williams D12/211

(**) Term: **15 Years**

(Continued)

(21) Appl. No.: **29/766,831**

FOREIGN PATENT DOCUMENTS

(22) Filed: **Jan. 19, 2021**

CN 303563084 * 1/2016
CN 303617396 * 3/2016

(51) **LOC (13) Cl.** **12-16**

(Continued)

(52) **U.S. Cl.**
USPC **D12/209**

(58) **Field of Classification Search**
USPC D12/204-213; D21/563
CPC B60B 1/00; B60B 1/08; B60B 1/10; B60B
3/02; B60B 3/04; B60B 3/06; B60B 3/10;
B60B 7/00; B60B 7/02; B60B 7/04;
B60B 7/06
See application file for complete search history.

Primary Examiner — Darlington Ly
Assistant Examiner — D. Ryan Tisdale
(74) *Attorney, Agent, or Firm* — Renner, Kenner, Greive,
Bobak, Taylor & Weber

(57) **CLAIM**

The ornamental design for a wheel, as shown and described.

DESCRIPTION

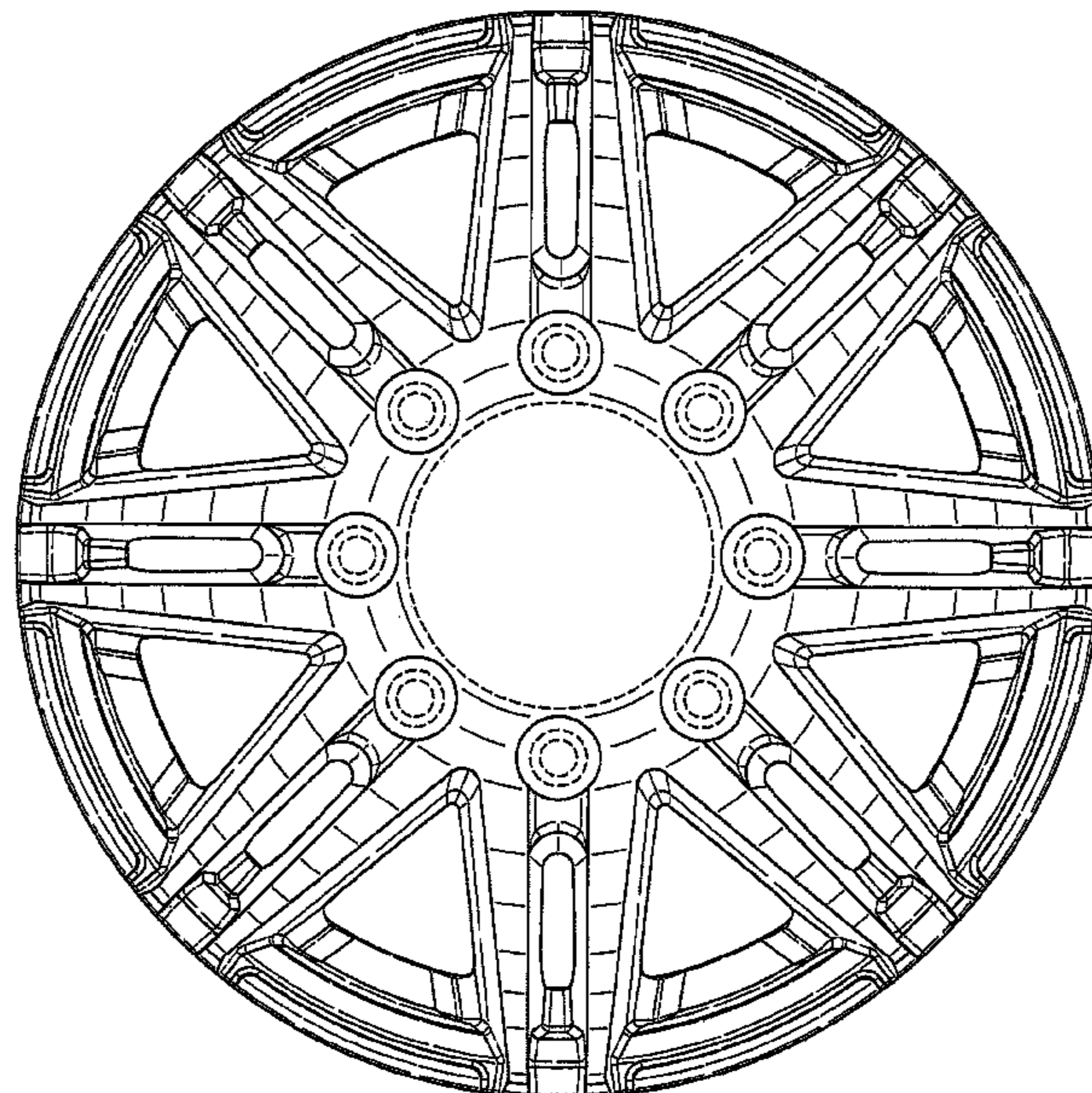
(56) **References Cited**

U.S. PATENT DOCUMENTS

D197,840 S 3/1964 Deaver D14/30
D286,278 S 10/1986 Sandberg D12/211
D292,572 S 11/1987 Schell et al. D12/211
D292,692 S 11/1987 Smith et al. D12/211
D506,966 S 7/2005 Kataoka D12/209
D528,496 S 9/2006 Marji D12/211
D621,321 S 8/2010 Groom D12/211
D651,152 S 12/2011 McMath D11/211
D691,544 S 10/2013 Ferrett D12/211
D706,196 S * 6/2014 Lee D12/211
D706,199 S 6/2014 Chung D12/211
D714,705 S 10/2014 Kong D12/211

FIG. 1 is a top, front, left side perspective view of a wheel showing our new design;
FIG. 2 is a top, rear, right side perspective view thereof;
FIG. 3 is a front elevational view thereof;
FIG. 4 is a rear elevational view thereof;
FIG. 5 is a left side elevational view thereof;
FIG. 6 is a right side elevational view thereof;
FIG. 7 is a top plan view thereof; and,
FIG. 8 is a bottom plan view thereof.
The broken lines in the drawings illustrate portions of the wheel that form no part of the claimed design.

1 Claim, 8 Drawing Sheets



(56)

References Cited

U.S. PATENT DOCUMENTS

| | | | | | | |
|----------|---|---|---------|-----------|-------|---------|
| D901,353 | S | * | 11/2020 | Tran | | D12/209 |
| D906,938 | S | * | 1/2021 | Sempek | | D12/211 |
| D908,059 | S | * | 1/2021 | Mukti | | D12/209 |
| D920,879 | S | * | 6/2021 | Hale, Jr. | | D12/209 |
| D922,928 | S | * | 6/2021 | Kong | | D12/211 |
| D924,768 | S | * | 7/2021 | Mukti | | D12/209 |
| D928,058 | S | * | 8/2021 | Han | | D12/209 |
| D928,061 | S | * | 8/2021 | Han | | D12/209 |
| D936,556 | S | * | 11/2021 | Sempek | | D12/211 |
| D946,485 | S | * | 3/2022 | Johnson | | D12/209 |
| D949,079 | S | * | 4/2022 | Lee | | D12/209 |
| D949,080 | S | * | 4/2022 | Lee | | D12/209 |

FOREIGN PATENT DOCUMENTS

| | | | |
|----|----------------|---|---------|
| CN | 304013502 | * | 1/2017 |
| CN | 304029054 | * | 8/2017 |
| CN | 304482364 | * | 1/2018 |
| EM | 001516402-0006 | * | 5/2009 |
| EM | 001826058-0043 | * | 3/2011 |
| EM | 002132100-0001 | * | 1/2013 |
| GB | 9007787221-001 | * | 4/2020 |
| NZ | 404878-0001 | * | 3/2005 |
| WO | D214561-004 | * | 12/2021 |

* cited by examiner

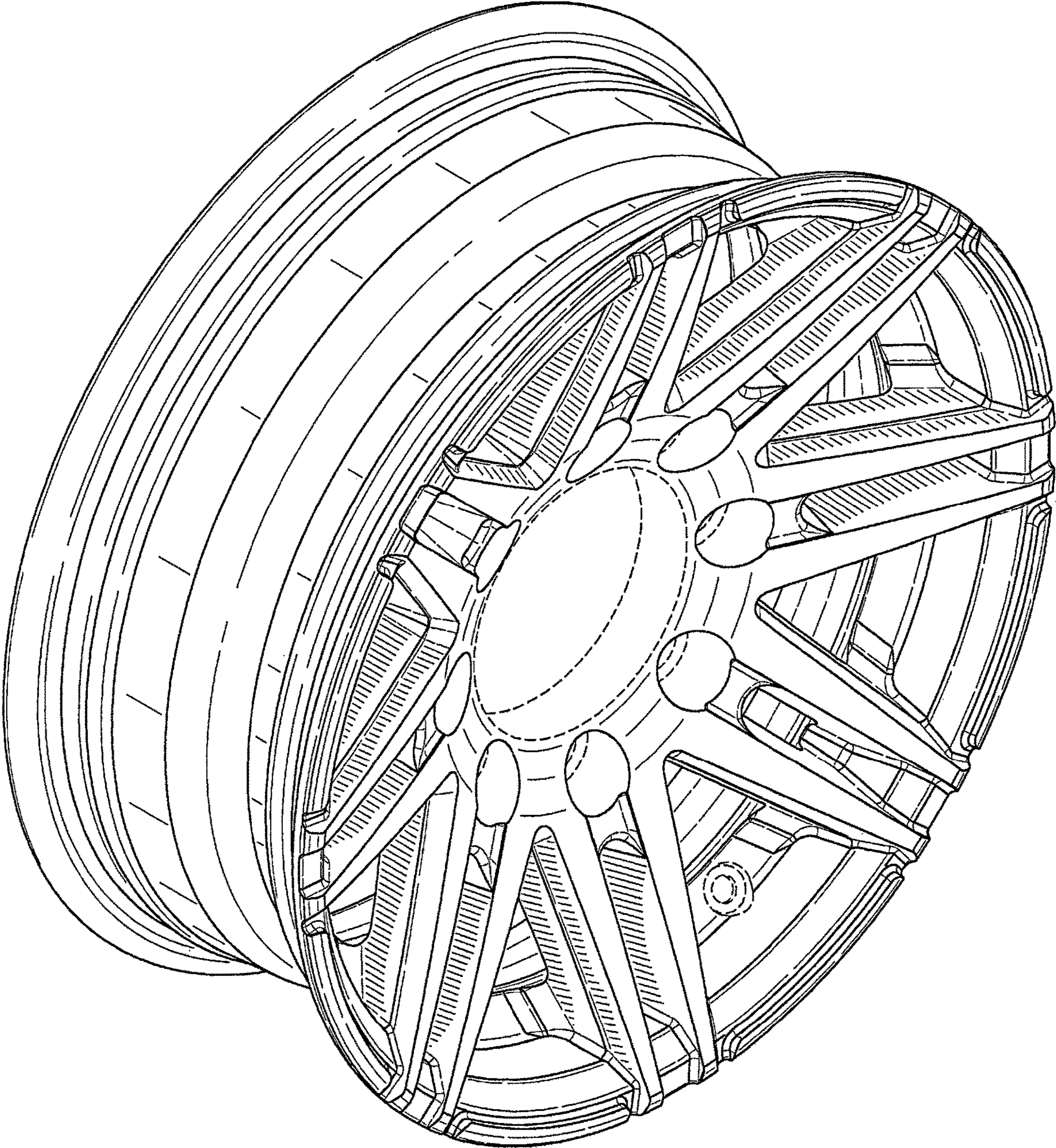


FIG. 1

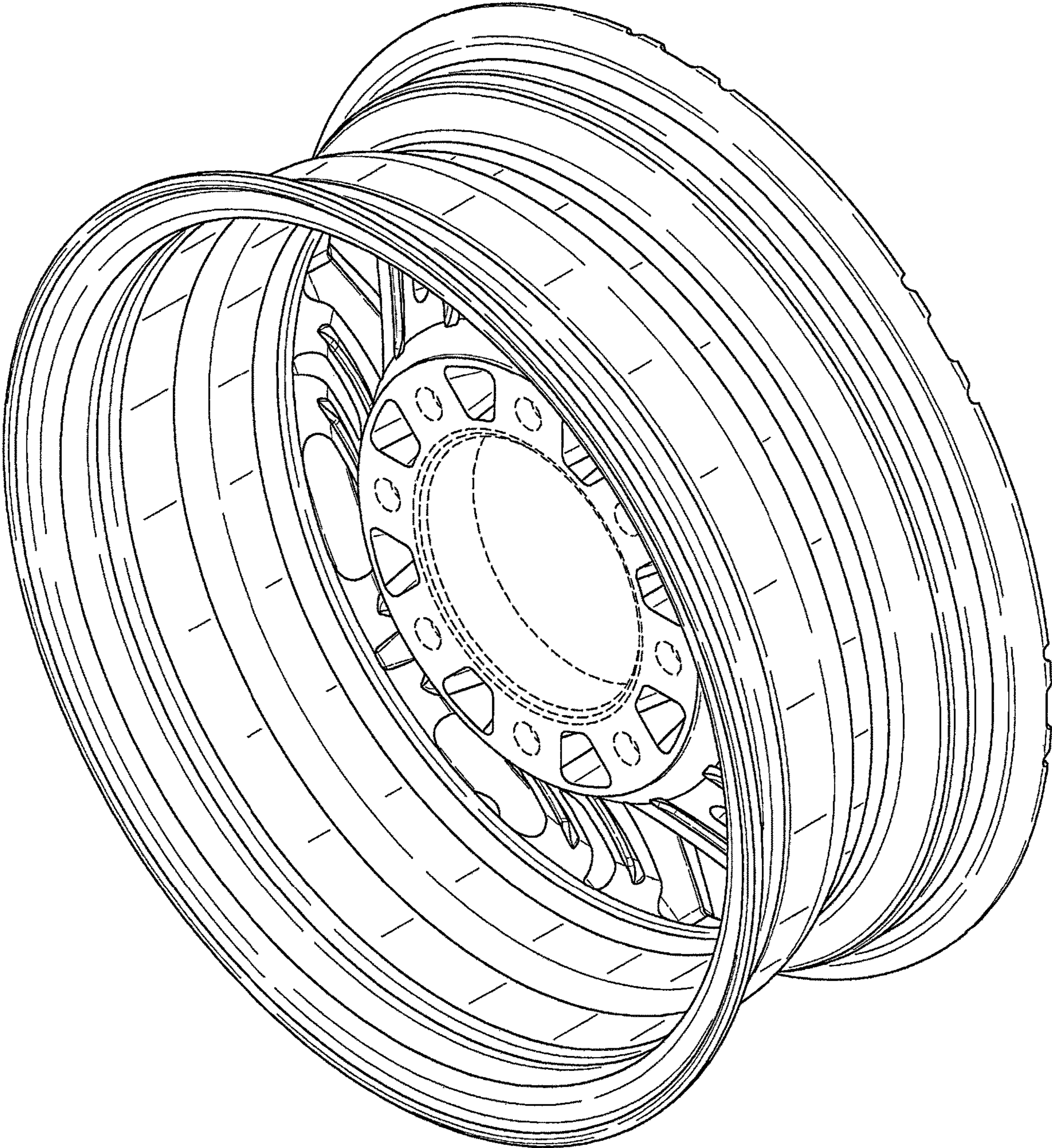


FIG. 2

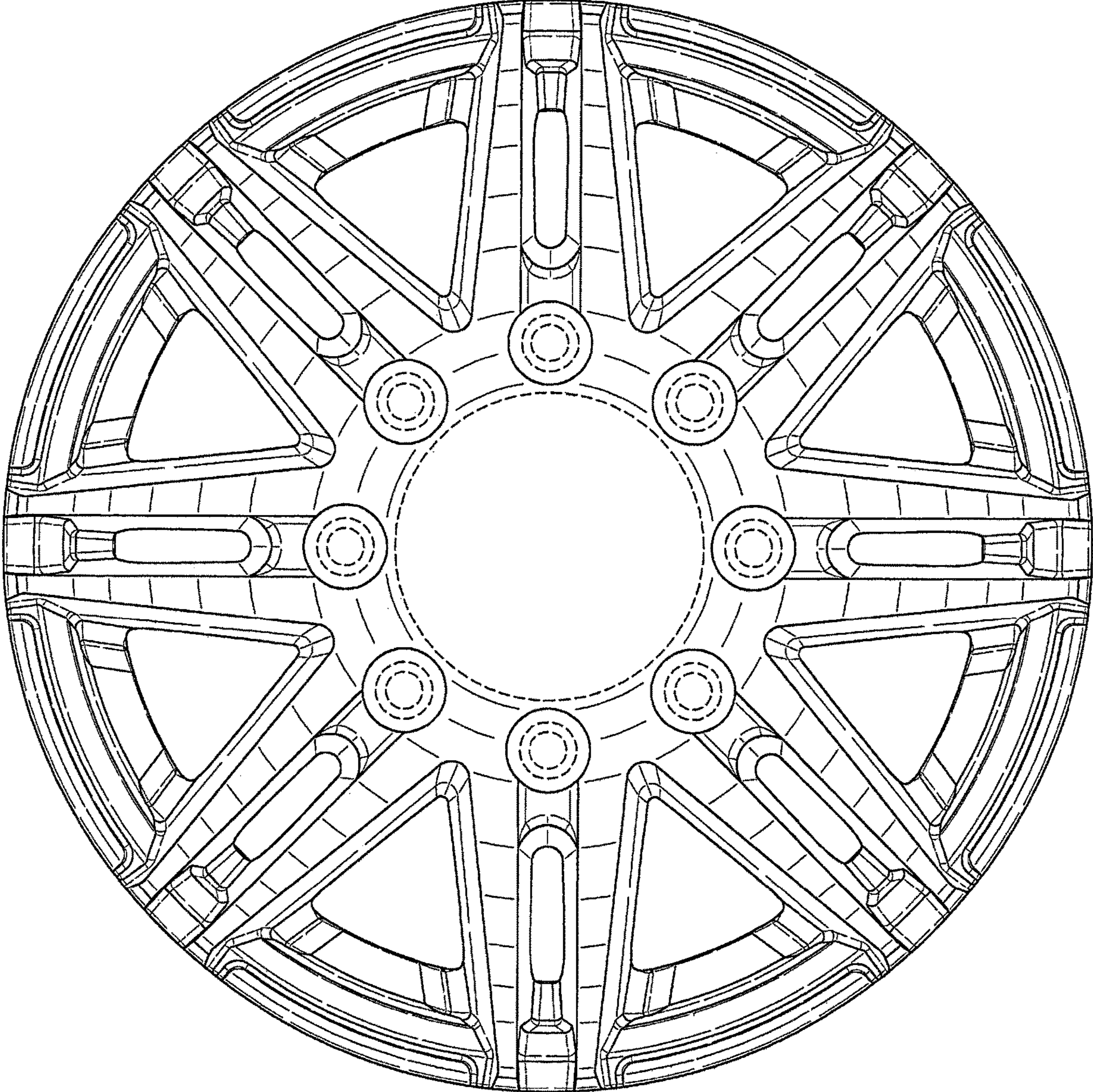


FIG. 3

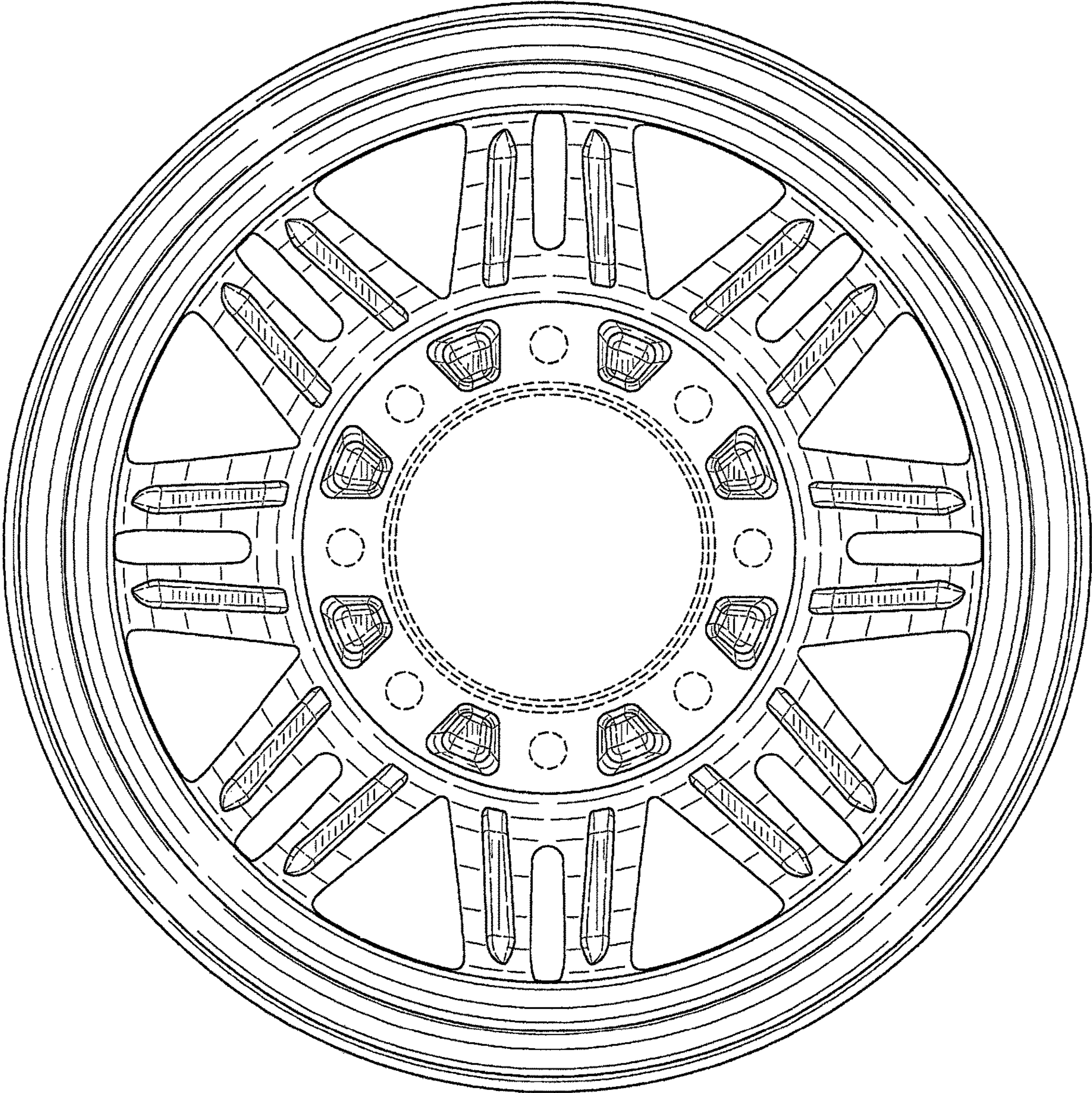


FIG.4

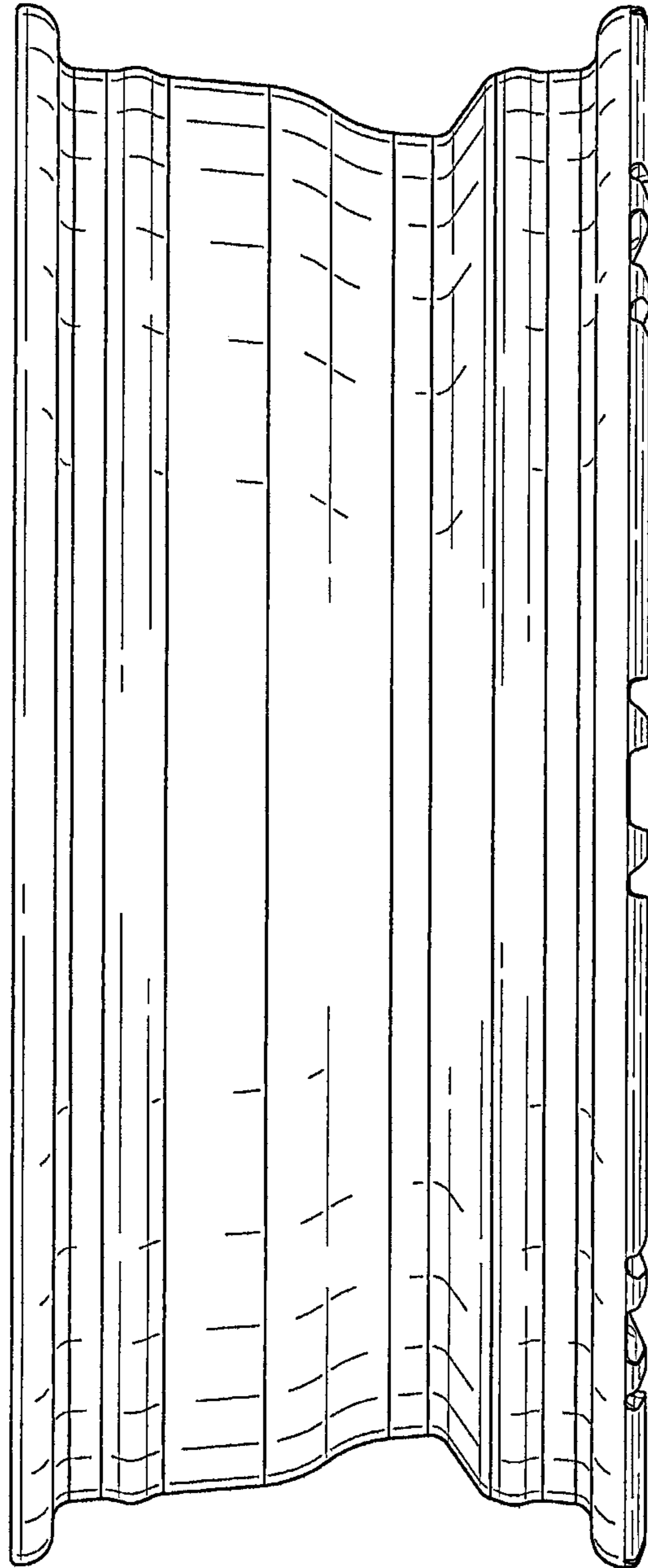


FIG. 5

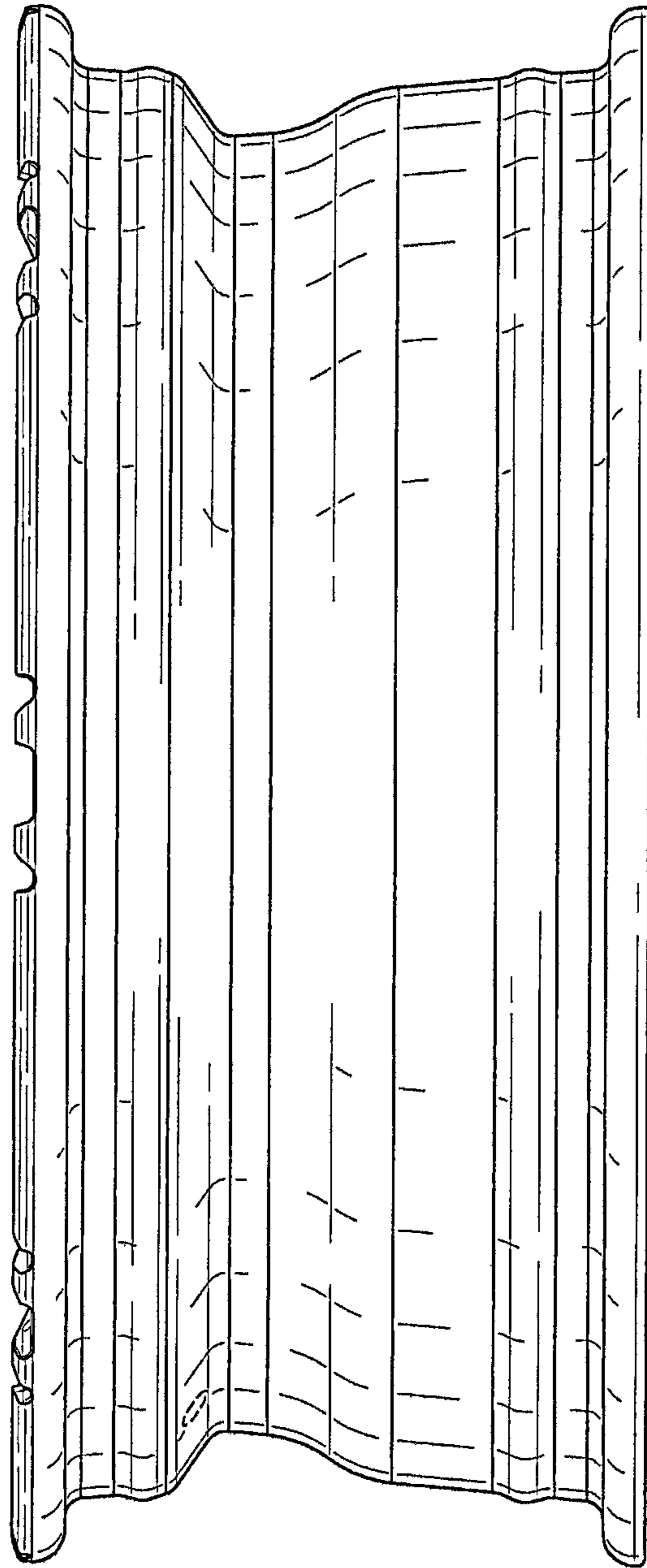


FIG. 6

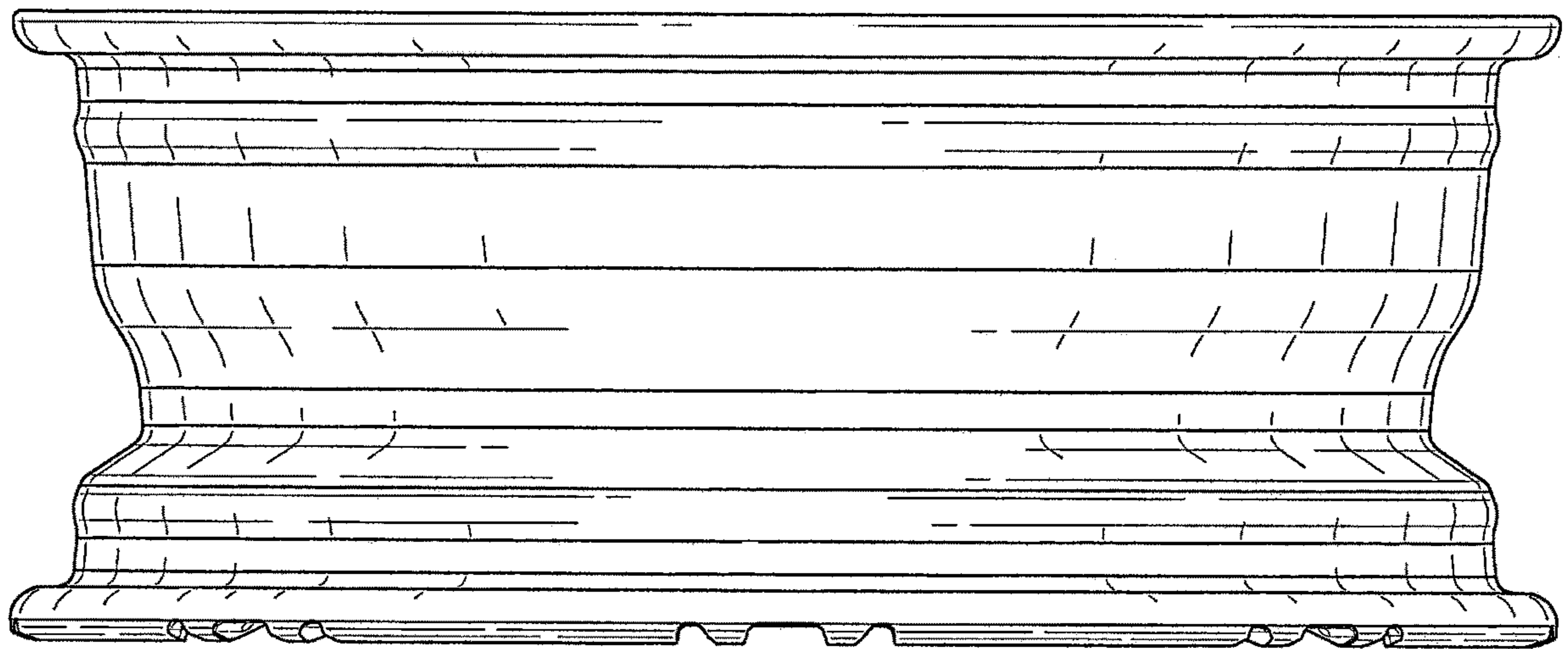


FIG. 7

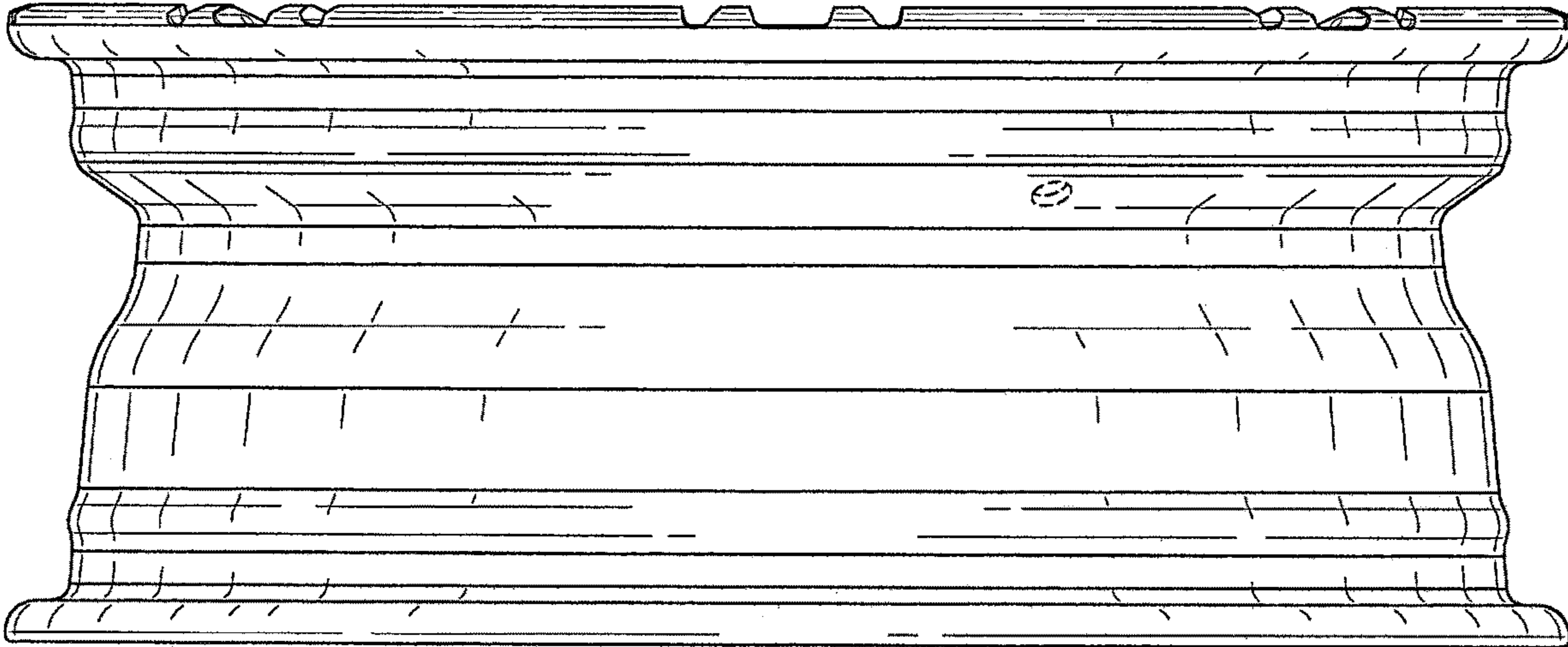


FIG. 8