

US00D960067S

(12) **United States Design Patent**  
**Vincent**

(10) **Patent No.:** **US D960,067 S**

(45) **Date of Patent:** **\*\* \*Aug. 9, 2022**

(54) **VEHICLE WHEEL**

(71) Applicant: **FCA US LLC**, Auburn Hills, MI (US)

(72) Inventor: **Anthony L. Vincent**, Lake Orion, MI (US)

(73) Assignee: **FCA US LLC**, Auburn Hills, MI (US)

(\*) Notice: This patent is subject to a terminal disclaimer.

(\*\*) Term: **15 Years**

(21) Appl. No.: **29/754,071**

(22) Filed: **Oct. 6, 2020**

(51) **LOC (13) Cl.** ..... **12-16**

(52) **U.S. Cl.**  
USPC ..... **D12/209**

(58) **Field of Classification Search**  
USPC ..... D12/204-213; D21/563  
CPC .... B60B 7/00; B60B 7/02; B60B 7/04; B60B 7/01; B60B 7/06; B60B 3/02; B60B 3/04; B60B 3/06; B60B 3/10; B60B 1/00; B60B 1/08; B60B 1/10; B60B 1/12  
See application file for complete search history.

(56) **References Cited**

**U.S. PATENT DOCUMENTS**

D526,265 S \* 8/2006 Muzzarelli ..... D12/209  
D625,238 S \* 10/2010 Zhao ..... D12/209  
D738,279 S 9/2015 Dionisopoulos et al.

D792,312 S \* 7/2017 Wilson ..... D12/211  
D820,184 S \* 6/2018 Bucher ..... D12/209  
D838,645 S 1/2019 Dionisopoulos et al.  
D856,251 S \* 8/2019 Dewitt ..... D12/209  
D857,585 S \* 8/2019 Dewitt ..... D12/209  
D865,612 S \* 11/2019 Interrante ..... D12/209  
D887,938 S 6/2020 Stone et al.  
D889,359 S \* 7/2020 Gillam ..... D12/209  
D889,360 S \* 7/2020 Ninov ..... D12/209  
D893,380 S 8/2020 Vincent et al.  
D917,368 S \* 4/2021 Kaneko ..... D12/211  
D918,811 S \* 5/2021 VanRyn ..... D12/209  
D919,537 S \* 5/2021 Kaoud ..... D12/209  
D922,291 S \* 6/2021 Kaoud ..... D12/209  
D928,054 S \* 8/2021 Xia ..... D12/209  
D934,145 S \* 10/2021 Chung ..... D12/209

\* cited by examiner

*Primary Examiner* — Leanne Was-Englehart

(74) *Attorney, Agent, or Firm* — Ralph E. Smith

(57) **CLAIM**

The ornamental design for a vehicle wheel, as shown and described.

**DESCRIPTION**

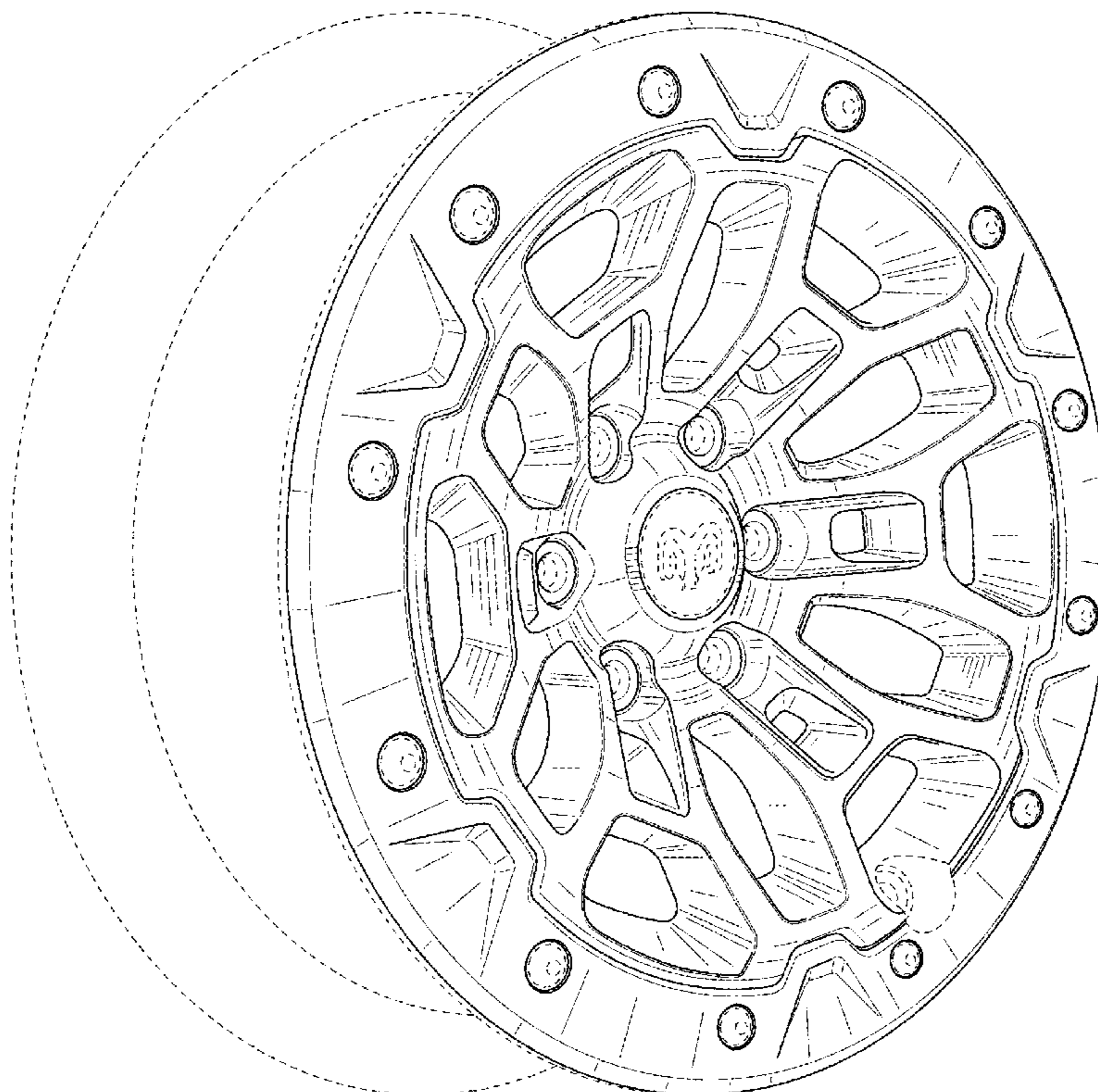
FIG. 1 is a front view of a vehicle wheel showing my new design;

FIG. 2 is a right perspective view thereof; and,

FIG. 3 is a left perspective view thereof.

It will be understood that the broken lines shown in the drawings illustrate portions of the vehicle wheel that form no part of the claimed design.

**1 Claim, 3 Drawing Sheets**



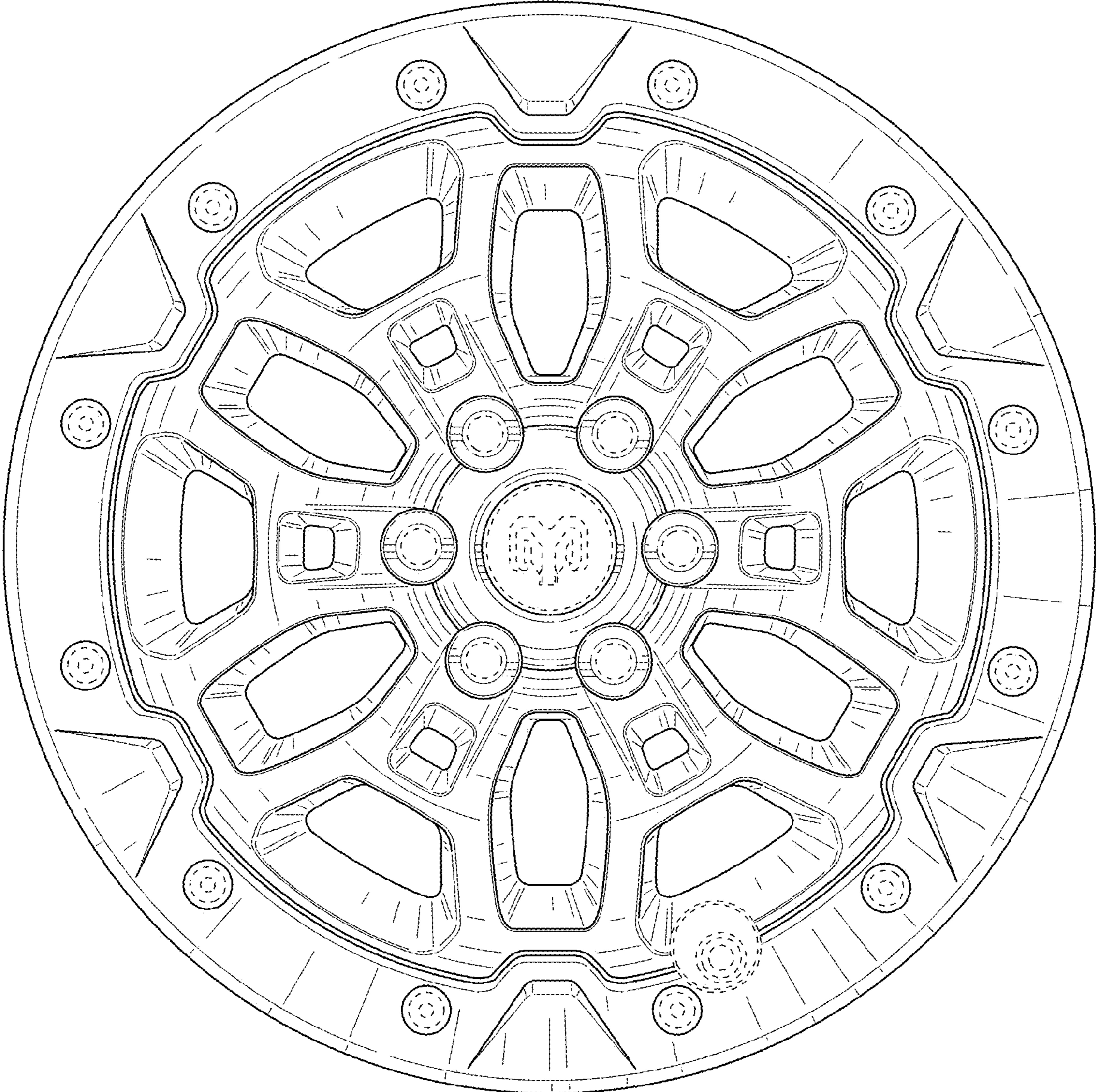


FIG. 1

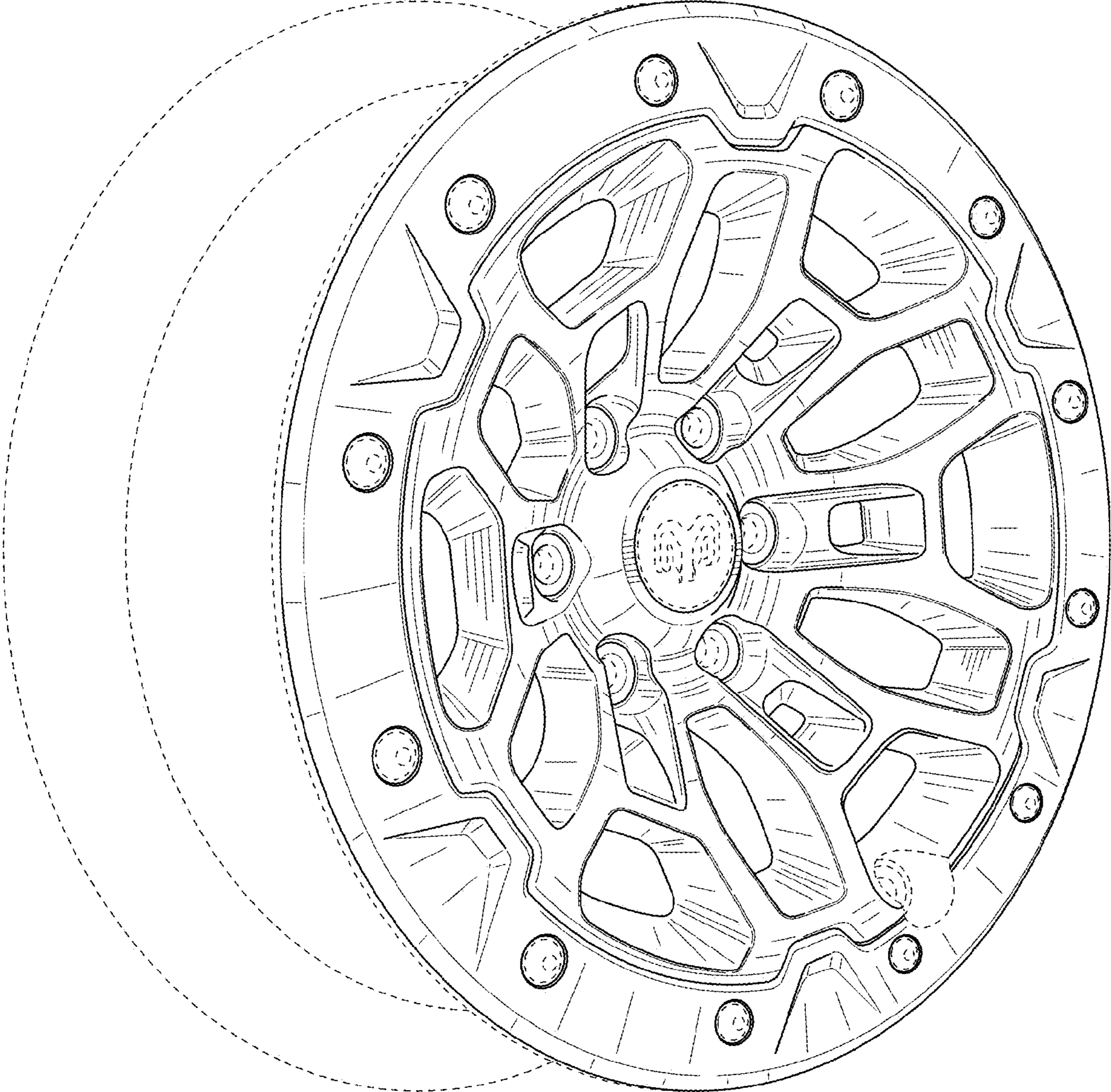


FIG. 2

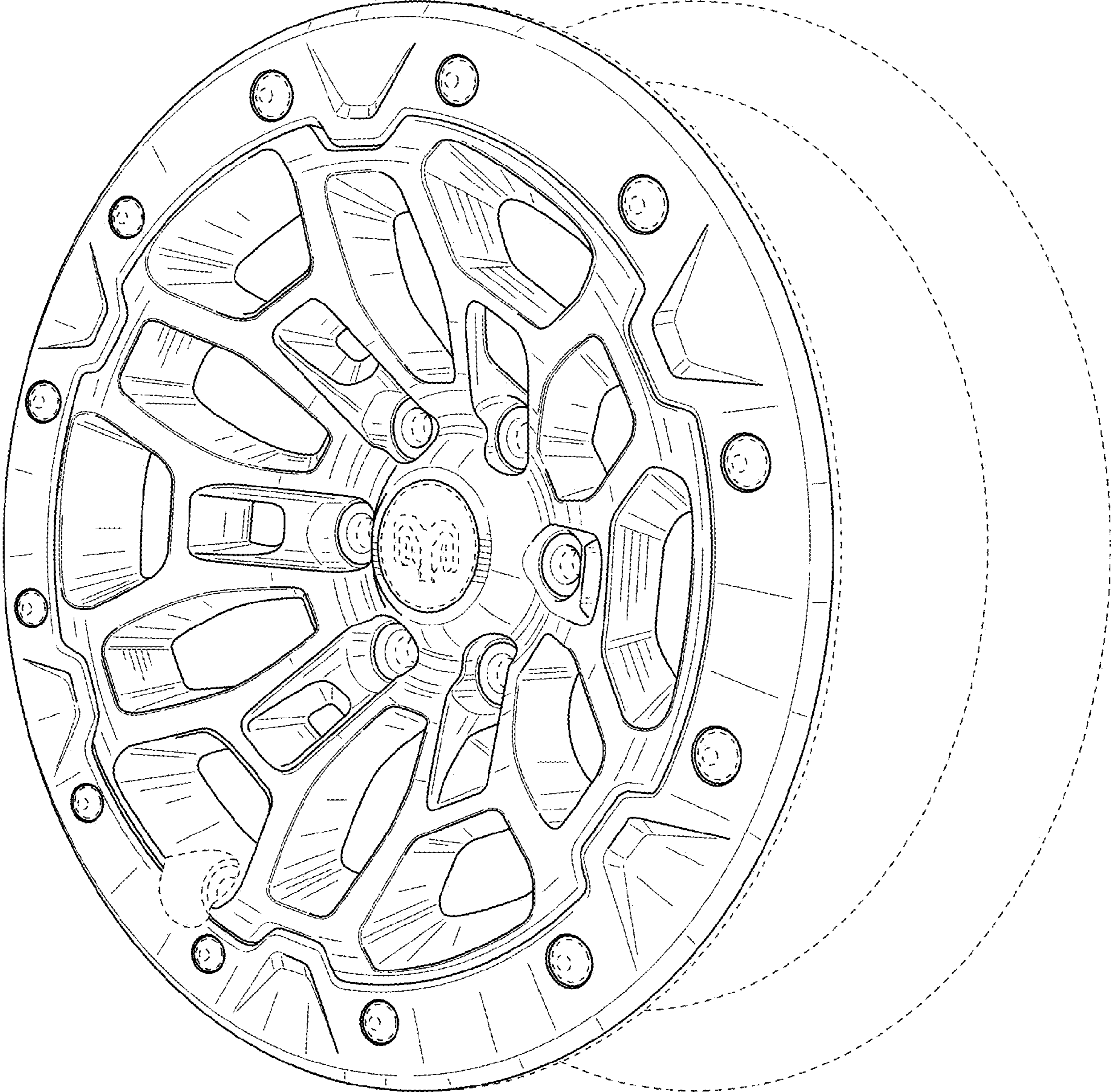


FIG. 3