



US00D960066S

(12) **United States Design Patent** (10) **Patent No.:** **US D960,066 S**  
**Williams** (45) **Date of Patent:** **\*\* Aug. 9, 2022**

(54) **WHEEL FRONT FACE**  
(71) Applicant: **David A. Williams**, Chino Hills, CA (US)  
(72) Inventor: **David A. Williams**, Chino Hills, CA (US)  
(73) Assignee: **WHEEL GROUP HOLDINGS, LLC**, Ontario, CA (US)  
(\*\*) Term: **15 Years**  
(21) Appl. No.: **29/752,634**  
(22) Filed: **Sep. 28, 2020**  
(51) **LOC (13) Cl.** ..... **12-16**  
(52) **U.S. Cl.**  
USPC ..... **D12/209**  
(58) **Field of Classification Search**  
USPC ..... D12/204–213; D21/563  
CPC ..... B60B 21/00; B60B 21/02; B60B 21/08;  
B60B 21/10; B60B 21/12; B60B 21/06;  
B60B 23/00  
See application file for complete search history.

D947,740 S \* 4/2022 Bernoni ..... D12/209  
D947,741 S \* 4/2022 Manzoni ..... D12/209  
2022/0080784 A1 \* 3/2022 Yoon ..... B60B 21/026  
2022/0118793 A1 \* 4/2022 Kerkvliet ..... B60B 21/125

**OTHER PUBLICATIONS**

“16x6 820M Twisted Gloss Black Aluminum Trailer Wheel” Trailer Wheels., posted date Oct. 31, 2021 [online], [retrieved on May 5, 2020]. Retrieved from the Internet <URL: [https://www.trailer-wheels.com/16x6-820M-Twisted-Gloss-Black-Aluminum-Trailer-Wheel-8x650-820M-66080\\_p\\_1670.html#.YnRbqHbMJJaQ](https://www.trailer-wheels.com/16x6-820M-Twisted-Gloss-Black-Aluminum-Trailer-Wheel-8x650-820M-66080_p_1670.html#.YnRbqHbMJJaQ)> (Year: 2021).\*  
“Raceline Wheels 944 Outlander” SoCal Custom Wheels., posted date Mar. 20, 2019 [online], [retrieved on May 5, 2020]. Retrieved from the Internet <URL: <https://www.socalcustomwheels.com/944-outlander-gloss-black-6-lug-w-54008.htm>> (Year: 2019).\*  
“Touren TR60 18 Black Wheel/Rim” Motosport., posted date Oct. 14, 2012 [online], [retrieved on May 5, 2020]. Retrieved from the Internet <URL: [https://www.amazon.com/Touren-Black-Offset-Partnumber-3260-8811MB/dp/B009LR2CMM/ref=sr\\_1\\_12?keywords=car+wheel+rims&qid=1651791685&sr=8-12](https://www.amazon.com/Touren-Black-Offset-Partnumber-3260-8811MB/dp/B009LR2CMM/ref=sr_1_12?keywords=car+wheel+rims&qid=1651791685&sr=8-12)> (Year: 2012).\*

\* cited by examiner

*Primary Examiner* — Darlington Ly  
*Assistant Examiner* — Nasim Abdulaziz Ali  
(74) *Attorney, Agent, or Firm* — Law Offices of S.J. Christine Yang

(56) **References Cited**

**U.S. PATENT DOCUMENTS**

D787,407 S \* 5/2017 Chung ..... D12/211  
D828,271 S \* 9/2018 Han ..... D12/211  
D828,878 S \* 9/2018 Sprowl ..... D21/563  
D860,908 S \* 9/2019 Han ..... D12/209  
D904,274 S \* 12/2020 Sempek ..... D12/211  
D926,655 S \* 8/2021 Licklitter ..... D12/209  
D936,549 S \* 11/2021 Sempek ..... D12/209  
D941,724 S \* 1/2022 Sempek ..... D12/209  
D941,725 S \* 1/2022 Sempek ..... D12/209  
D943,484 S \* 2/2022 Sempek ..... D12/209  
D944,174 S \* 2/2022 Swerdloff ..... D12/209  
D944,704 S \* 3/2022 Anscheidt ..... D12/209  
D945,342 S \* 3/2022 Sempek ..... D12/209  
D945,344 S \* 3/2022 Abderrazak ..... D12/209  
D945,348 S \* 3/2022 Sempek ..... D12/211

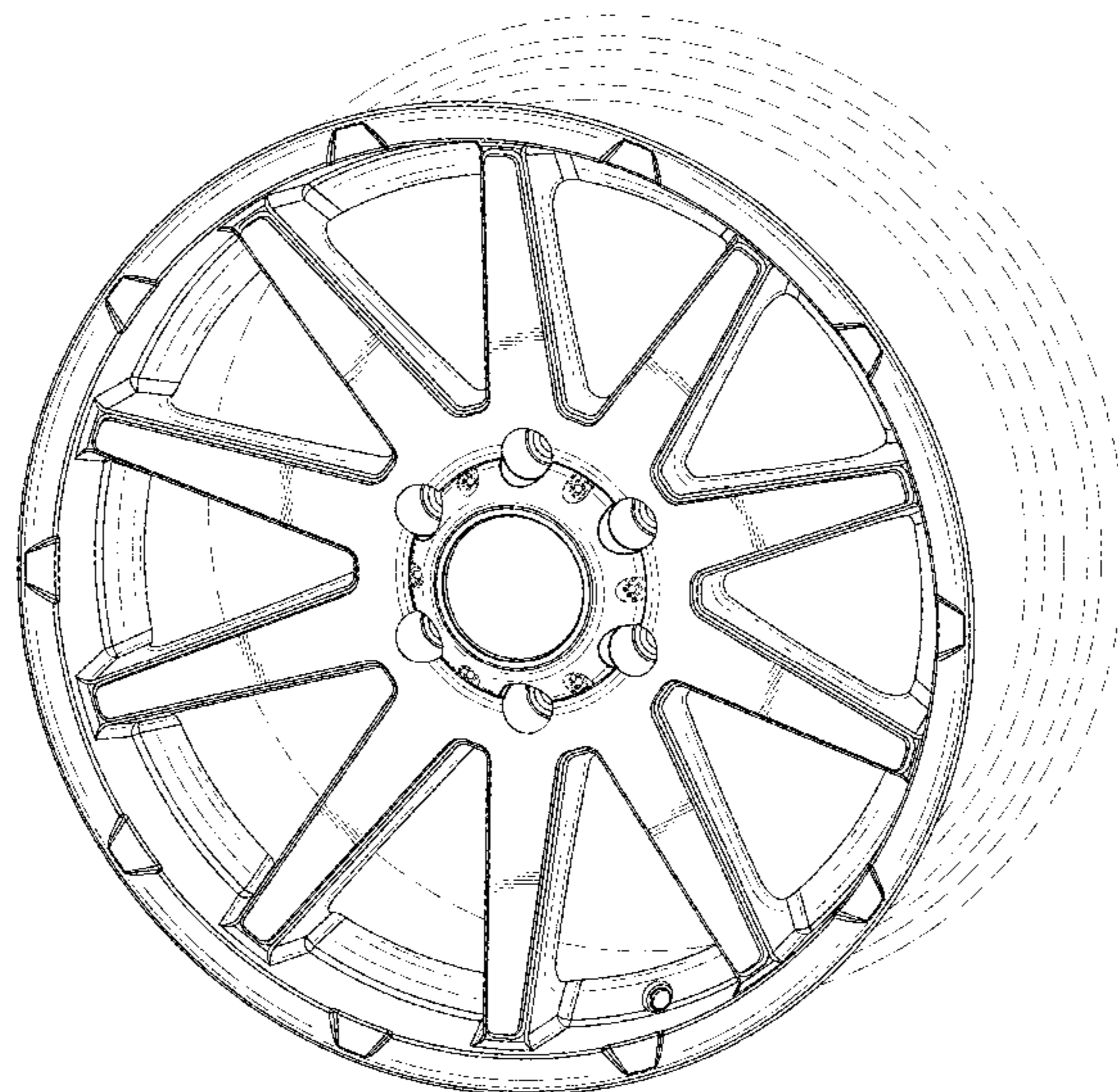
(57) **CLAIM**

The ornamental design for a wheel front face, as shown and described.

**DESCRIPTION**

FIG. 1 is a perspective view of a wheel front face showing my new design;  
FIG. 2 is a front elevation view thereof; and,  
FIG. 3 is a side elevation view thereof.  
The broken line in the drawings illustrate portions of the wheel front face that form no part of the claimed design.

**1 Claim, 3 Drawing Sheets**



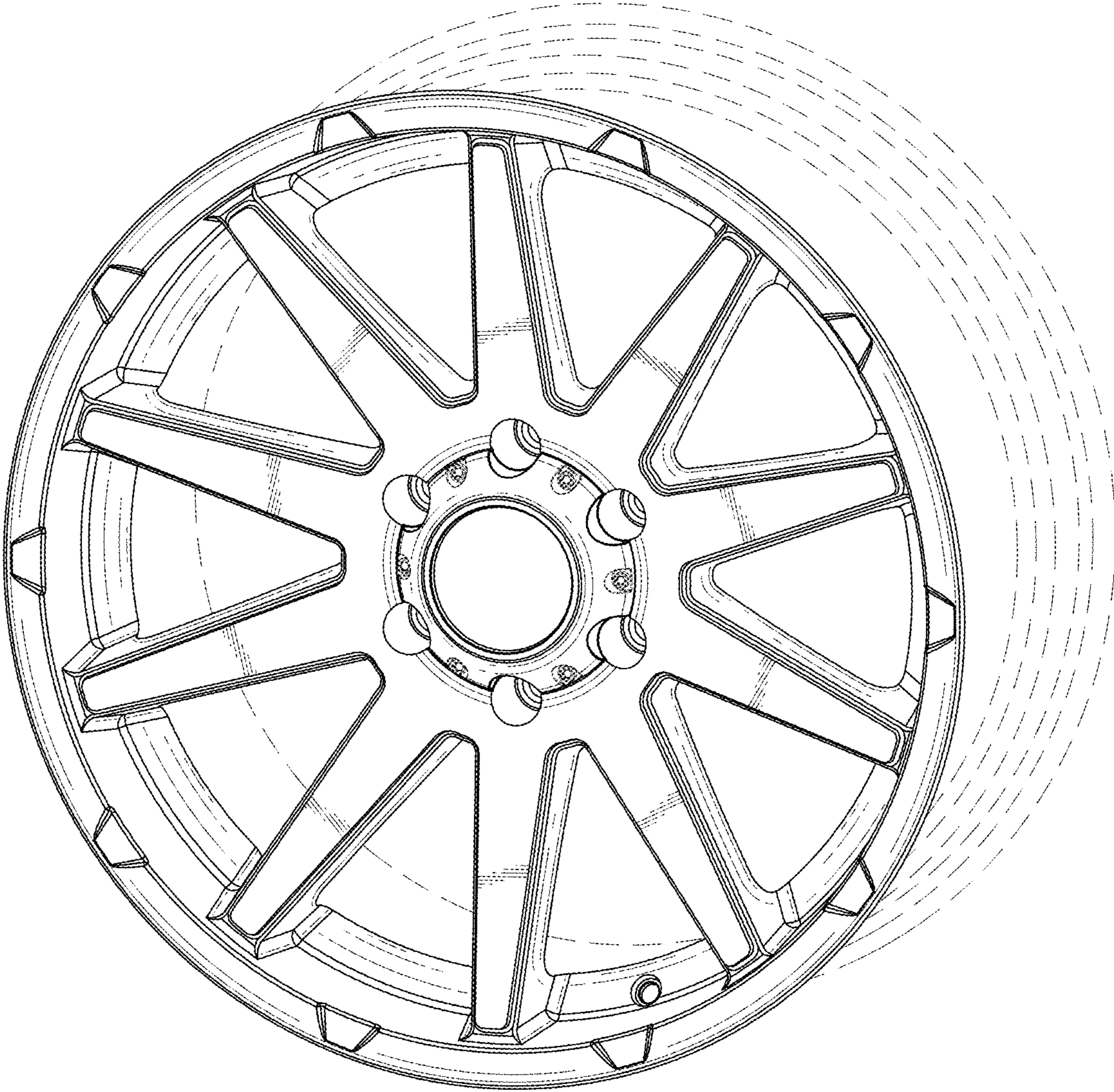


FIG. 1



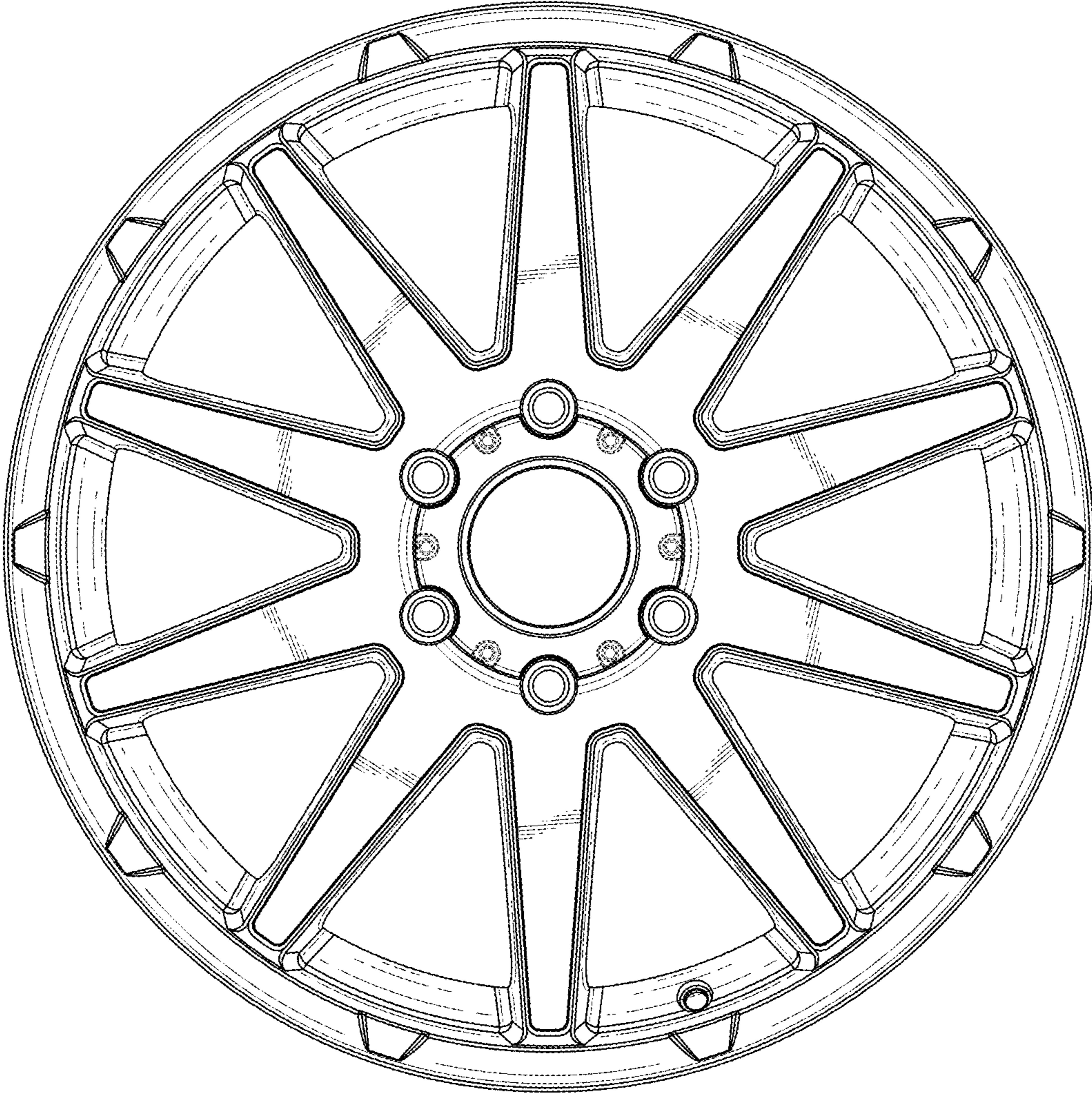


FIG. 2



FIG. 3