



US00D960065S

(12) **United States Design Patent**  
**Sempek**

(10) **Patent No.:** **US D960,065 S**

(45) **Date of Patent:** **\*\* Aug. 9, 2022**

- (54) **WHEEL RIM**
- (71) Applicant: **Allied Wheel Components**, Garden Grove, CA (US)
- (72) Inventor: **Christopher Sean Sempek**, Long Beach, CA (US)
- (73) Assignee: **Allied Wheel Components**, Garden Grove, CA (US)
- (\*\*) Term: **15 Years**
- (21) Appl. No.: **29/687,983**

D529,426 S	10/2006	Metros et al.
D534,473 S	1/2007	Bernoni
D538,215 S	3/2007	Laengerer
D542,210 S	5/2007	Plumer
D543,922 S	6/2007	Young
D555,065 S	11/2007	Hernandez
D587,179 S	2/2009	Pfeiffer
D608,711 S	1/2010	Juergens et al.
D609,624 S	2/2010	Matsubara
D617,710 S	6/2010	Ectors et al.
D619,070 S	7/2010	Pollmann
D620,862 S	8/2010	Pollmann
D623,110 S	9/2010	Juergens et al.
D628,948 S	12/2010	Chung
D629,347 S	12/2010	Kim
D632,239 S	2/2011	Gallert

(Continued)

(22) Filed: **Apr. 17, 2019**

(51) **LOC (13) Cl.** ..... **12-16**

(52) **U.S. Cl.**  
USPC ..... **D12/209**

(58) **Field of Classification Search**  
USPC ..... D12/204–213; D21/563  
CPC .... B60B 7/00; B60B 7/01; B60B 7/02; B60B 7/04; B60B 7/06; B60B 3/02; B60B 3/04; B60B 3/06; B60B 3/10; B60B 1/00; B60B 1/08; B60B 1/10; B60B 1/12  
See application file for complete search history.

(56) **References Cited**

**U.S. PATENT DOCUMENTS**

D58,279 S	6/1921	Weeh et al.
1,404,382 A	1/1922	Lewis et al.
1,530,863 A	3/1925	Vanderveer et al.
D396,208 S	7/1998	Baumgartner et al.
D450,649 S	11/2001	Penzes
D477,556 S	7/2003	Koch
D481,984 S	11/2003	Sulahian
D497,870 S	11/2004	Cahyono
D504,101 S	4/2005	Pfeiffer
D508,007 S	8/2005	Koch
D513,728 S	1/2006	Yazawa et al.
D516,490 S	3/2006	Baer
D524,217 S	7/2006	Aoki

**OTHER PUBLICATIONS**

Kansei Corsa Wheels, Published Jul. 26, 2019 [online], [retrieved on Apr. 19, 2022]. Retrieved from the Internet: [https://www.youtube.com/watch?v=L\\_G2v2NNojo](https://www.youtube.com/watch?v=L_G2v2NNojo) (Year: 2019).\*

(Continued)

*Primary Examiner* — Cary M Robinson  
*Assistant Examiner* — Adam C Mager  
(74) *Attorney, Agent, or Firm* — Joseph A. Andelin; Fish IP Law, LLP

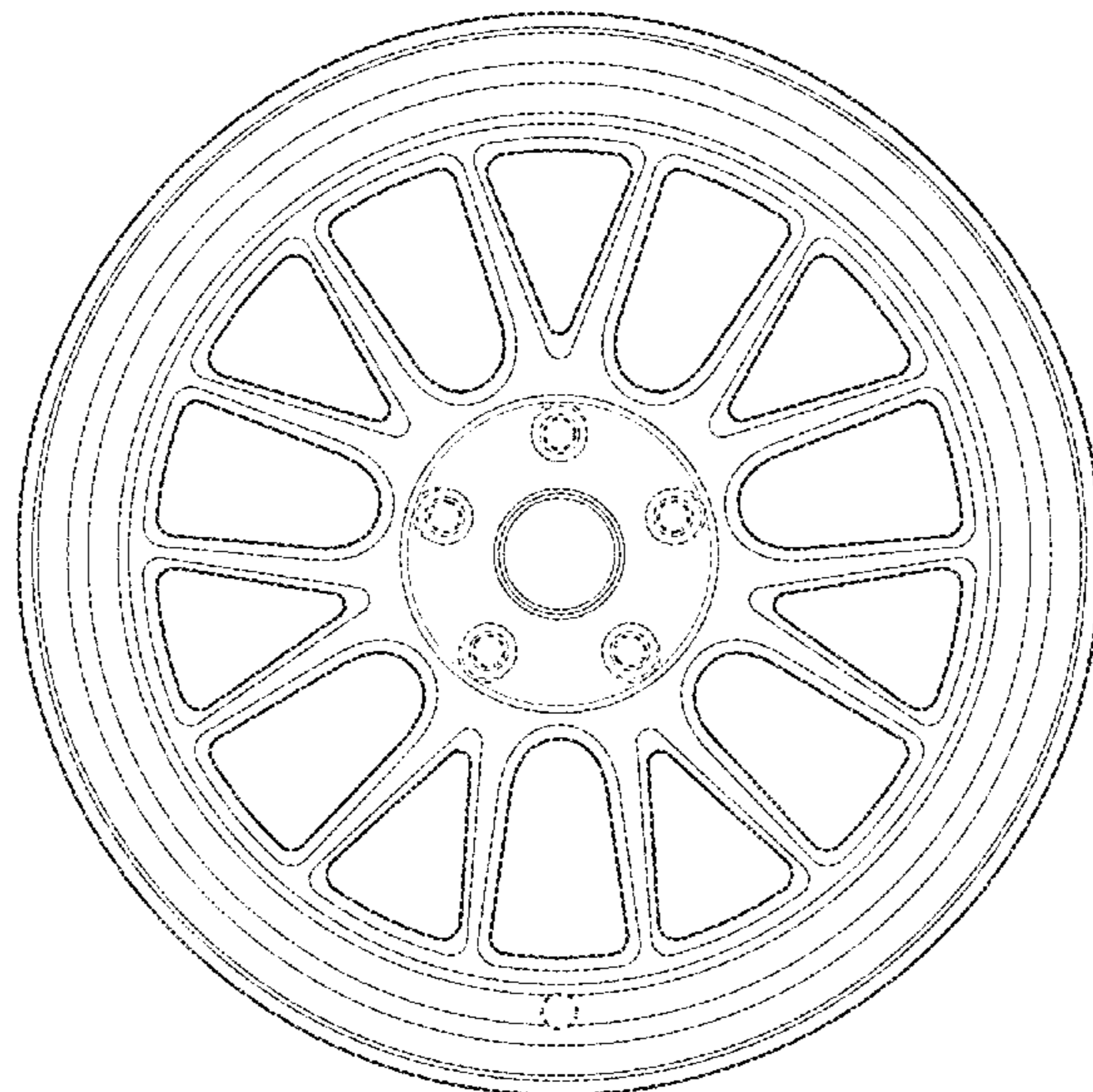
(57) **CLAIM**

I claim the ornamental design for a wheel rim, as shown and described.

**DESCRIPTION**

FIG. 1 is a front elevation view of a wheel rim of the new design; and,  
FIG. 2 is a top, front, right side perspective view thereof. The broken lines illustrate portions of the wheel rim that form no part of the claimed design.

**1 Claim, 2 Drawing Sheets**



(56)

References Cited

U.S. PATENT DOCUMENTS

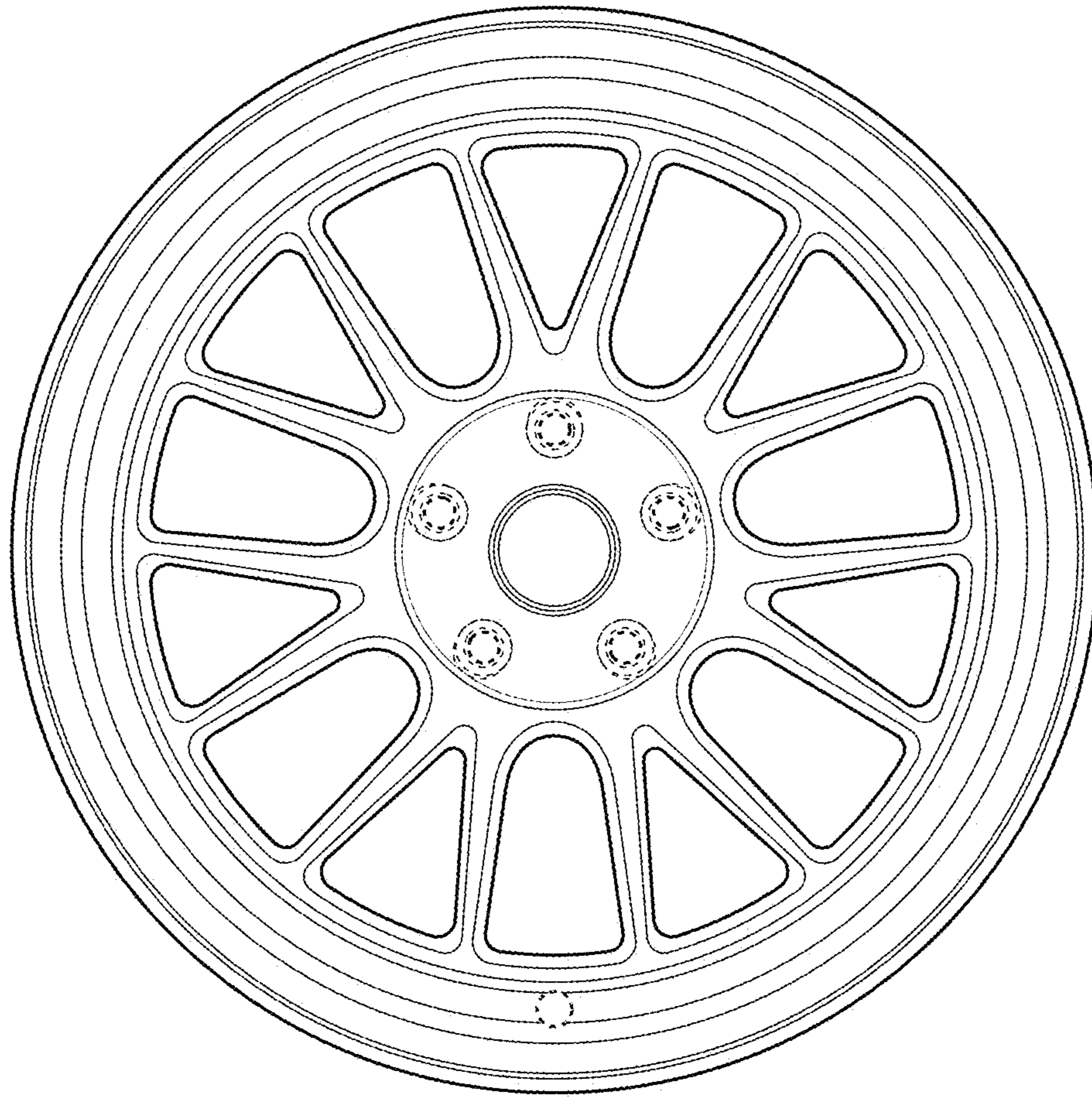
D639,222 S 6/2011 Johnson  
 D644,587 S 9/2011 Gotschke  
 D659,063 S 5/2012 Johnson  
 D660,220 S 5/2012 Chan  
 D666,546 S 9/2012 Juergens et al.  
 D667,355 S 9/2012 Gotschke  
 D682,180 S 5/2013 Zhao  
 D688,190 S 8/2013 Hodges  
 D691,542 S 10/2013 Chan  
 D695,183 S 12/2013 Chung  
 D702,173 S 4/2014 Perini  
 D706,196 S 6/2014 Lee  
 D715,722 S 10/2014 Johnson  
 D717,224 S 11/2014 Kim  
 D717,711 S 11/2014 Kern  
 D720,271 S 12/2014 Mielke et al.  
 D721,318 S 1/2015 Kim  
 D722,937 S 2/2015 Johnson  
 D724,515 S 3/2015 Chung  
 D726,089 S 4/2015 Hodges  
 D726,090 S 4/2015 Hilpert  
 D739,329 S 9/2015 Watkin  
 D744,399 S 12/2015 Juergens et al.  
 D744,931 S 12/2015 Curic et al.  
 D749,486 S 2/2016 Huang  
 D751,481 S 3/2016 Chung  
 D751,966 S 3/2016 Zhao  
 D754,049 S 4/2016 Valencia  
 D756,282 S \* 5/2016 Zhao ..... D12/209  
 D756,877 S 5/2016 Huang  
 D772,132 S \* 11/2016 Kong ..... D12/211  
 D772,133 S 11/2016 Stone et al.  
 D775,047 S 12/2016 Wheel  
 D782,951 S 4/2017 Bjerke  
 D786,768 S 5/2017 Youssef  
 D791,035 S 7/2017 Palana  
 D799,398 S 10/2017 Liffick  
 D800,628 S 10/2017 Tran  
 D803,129 S 11/2017 McMath  
 D806,630 S 1/2018 McMath  
 D808,325 S 1/2018 Chung

D813,137 S 3/2018 Sempek  
 D813,780 S 3/2018 Sempek  
 D817,844 S 5/2018 Hale, Jr.  
 D824,315 S \* 7/2018 Tran ..... D12/209  
 D824,316 S \* 7/2018 Tran ..... D12/209  
 D848,926 S \* 5/2019 Tran ..... D12/209  
 D854,996 S \* 7/2019 Chung ..... D12/209  
 D865,622 S \* 11/2019 Han ..... D12/209  
 D870,627 S \* 12/2019 Lu ..... D12/209  
 D886,704 S \* 6/2020 Williams ..... D12/209  
 D889,357 S \* 7/2020 Lee ..... D12/209  
 D894,812 S \* 9/2020 Sempek ..... D12/211  
 D904,271 S \* 12/2020 Henderson ..... D12/209  
 D910,525 S \* 2/2021 Tran ..... D12/209

OTHER PUBLICATIONS

Raceline Wheels, Go Everywhere, Catalog, Apr. 7, 2017, Allied Wheel Components INC, vol. 29, 16 pages.  
 Raceline Wheels, Go Everywhere, Catalog, Oct. 16, 2015, Allied Wheel Components INC, vol. 24, 28 pages.  
 Raceline Wheels, Go Everywhere, Catalog, Feb. 21, 2017, Allied Wheel Components INC, vol. 22, 9 page.  
 Raceline Wheels, Go Everywhere, Catalog, Feb. 21, 2017, Allied Wheel Components INC, vol. 23, 16 pages.  
 Raceline Wheels, Go Everywhere, Catalog, Feb. 23, 2017, Allied Wheel Components INC, vol. 28, 20 pages.  
 Raceline Wheels, Go Everywhere, Catalog, Mar. 24, 2016, Allied Wheel Components INC, vol. 26, 28 pages.  
 Raceline Wheels, Go Everywhere, Catalog, Oct. 24, 2016, Allied Wheel Components INC, vol. 27, 20 pages.  
 Raceline Wheels, Go Everywhere, Catalog, Oct. 25, 2017, Allied Wheel Components INC, vol. 30, 20 pages.  
 Raceline Wheels, Go Everywhere, Catalog, Jan. 26, 2016, Allied Wheel Components INC, vol. 25, 28 pages.  
 Raceline Wheels, Go Everywhere, Catalog, Feb. 27, 2018, Allied Wheel Components INC, vol. 31, 24 pages.  
 Raceline Wheels, Go Everywhere, Catalog, Allied Wheel Components INC, vol. 22, 16 pages.  
 Raceline Wheels, Go Everywhere, Catalog, Allied Wheel Components INC, vol. 26, 13 pages.

\* cited by examiner



*FIG. 1*

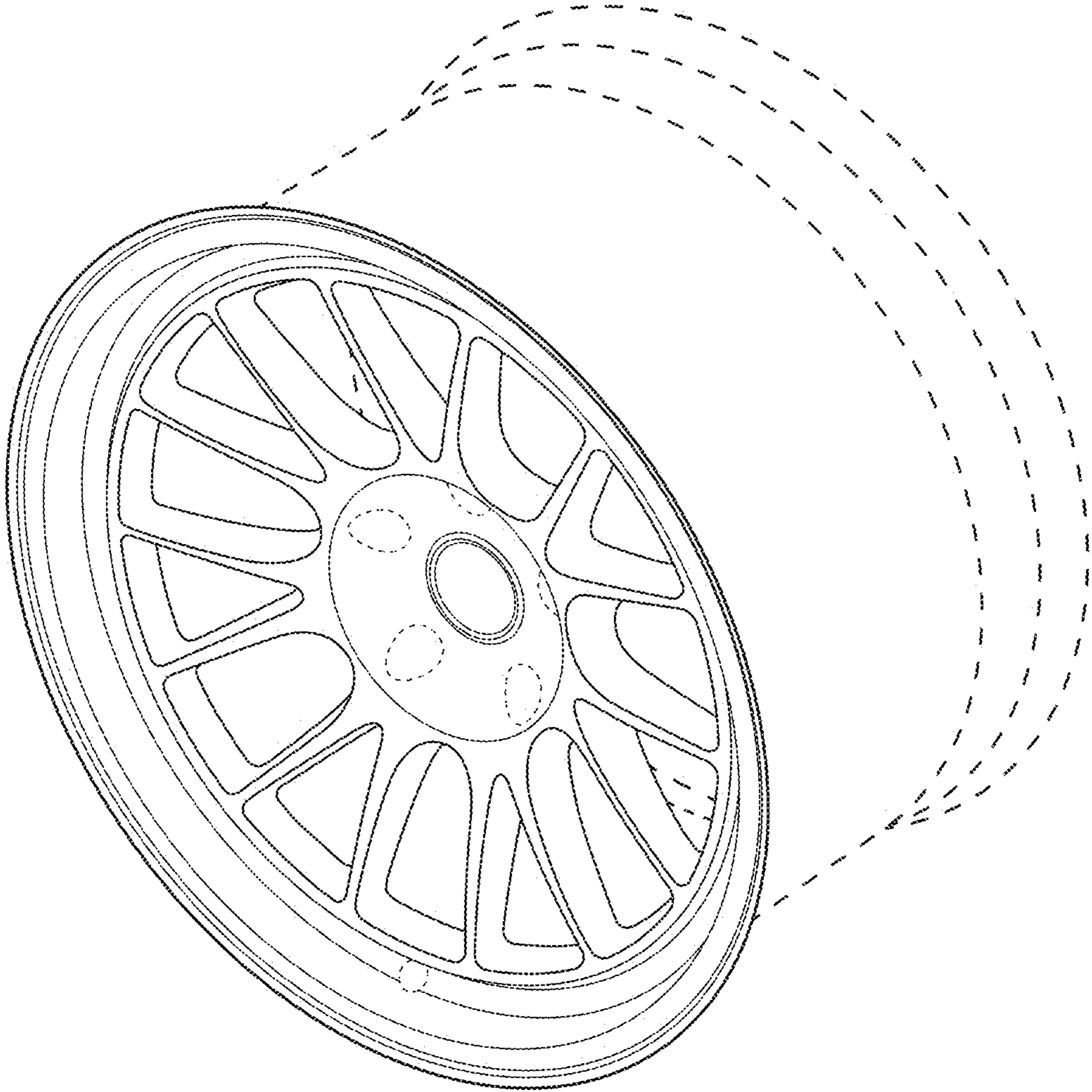


FIG. 2