

US00D960064S

(12) **United States Design Patent** (10) **Patent No.:** **US D960,064 S**
Williams (45) **Date of Patent:** **** *Aug. 9, 2022**

(54) **WHEEL FRONT FACE**
(71) Applicant: **WHEEL GROUP HOLDINGS, LLC**,
Ontario, CA (US)
(72) Inventor: **David A. Williams**, Chino Chills, CA
(US)
(73) Assignee: **WHEEL GROUP HOLDINGS, LLC**,
Ontario, CA (US)

D642,105 S * 7/2011 Chung D12/209
D695,183 S * 12/2013 Chung D12/209
D761,178 S * 7/2016 Johnson D12/209
D806,631 S * 1/2018 Sempek D12/211
D830,266 S * 10/2018 Licklitter D12/209
D855,002 S * 7/2019 Ranum D12/211
D856,251 S * 8/2019 Dewitt D12/209
D857,586 S * 8/2019 Dewitt D12/209
D871,997 S * 1/2020 Itaya D12/209
D876,305 S * 2/2020 Lee D12/209
D878,998 S * 3/2020 Liu D12/209

* cited by examiner

(*) Notice: This patent is subject to a terminal disclaimer.

Primary Examiner — Leanne Was-Englehart

(**) Term: **15 Years**

(74) *Attorney, Agent, or Firm* — Law Offices of S.J. Christine Yang

(21) Appl. No.: **29/679,406**

(22) Filed: **Feb. 5, 2019**

(57) **CLAIM**

(51) **LOC (13) Cl.** **12-16**

The ornamental design for a wheel front face, as shown and described.

(52) **U.S. Cl.**

USPC **D12/209**

(58) **Field of Classification Search**

USPC D12/204–213; D21/563

CPC B60B 7/00; B60B 7/02; B60B 7/04; B60B

7/01; B60B 7/06; B60B 3/02; B60B 3/04;

B60B 3/06; B60B 3/10; B60B 1/00;

B60B 1/08; B60B 1/10; B60B 1/12

See application file for complete search history.

DESCRIPTION

FIG. 1 is a perspective view of a wheel front face, showing my new design.

FIG. 2 is a front view of the wheel front face of FIG. 1; and, FIG. 3 is a side view of the wheel front face of FIG. 1.

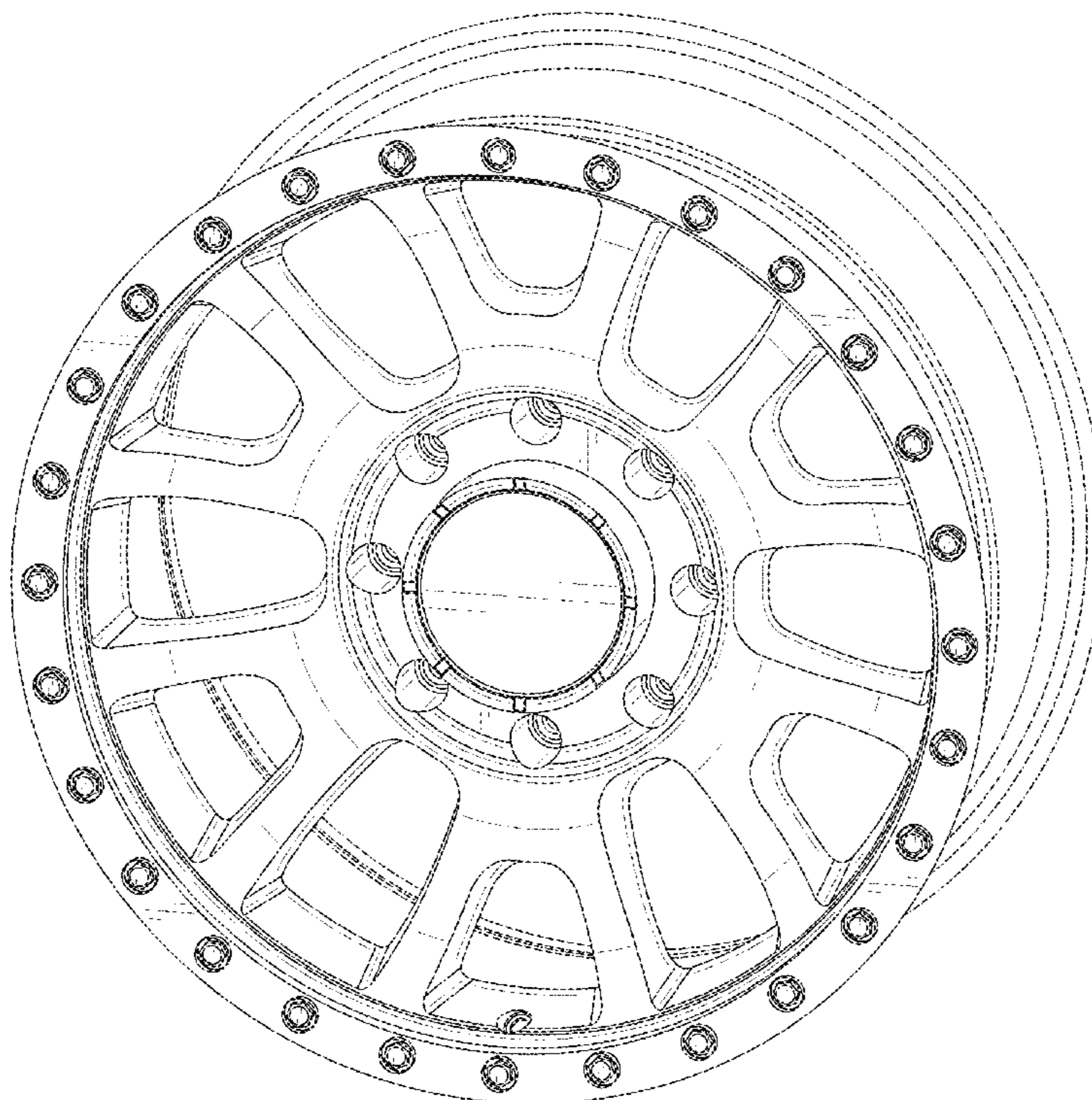
In the drawings, the broken lines depict environmental subject matter and form no part of the claimed design.

(56) **References Cited**

U.S. PATENT DOCUMENTS

D461,441 S * 8/2002 Hartanto D12/211
D528,061 S * 9/2006 Saridakis D12/211

1 Claim, 3 Drawing Sheets



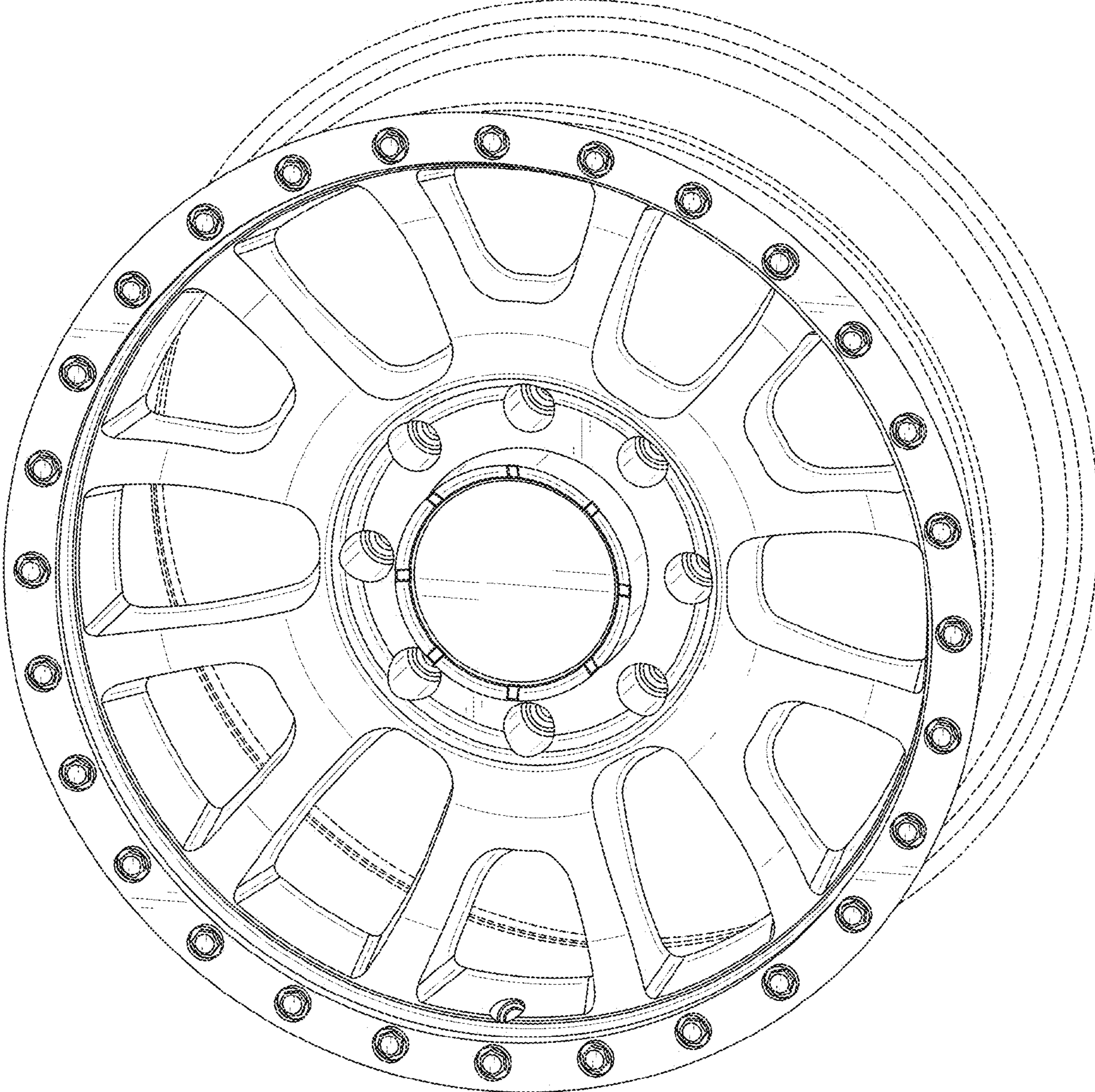


FIG. 1

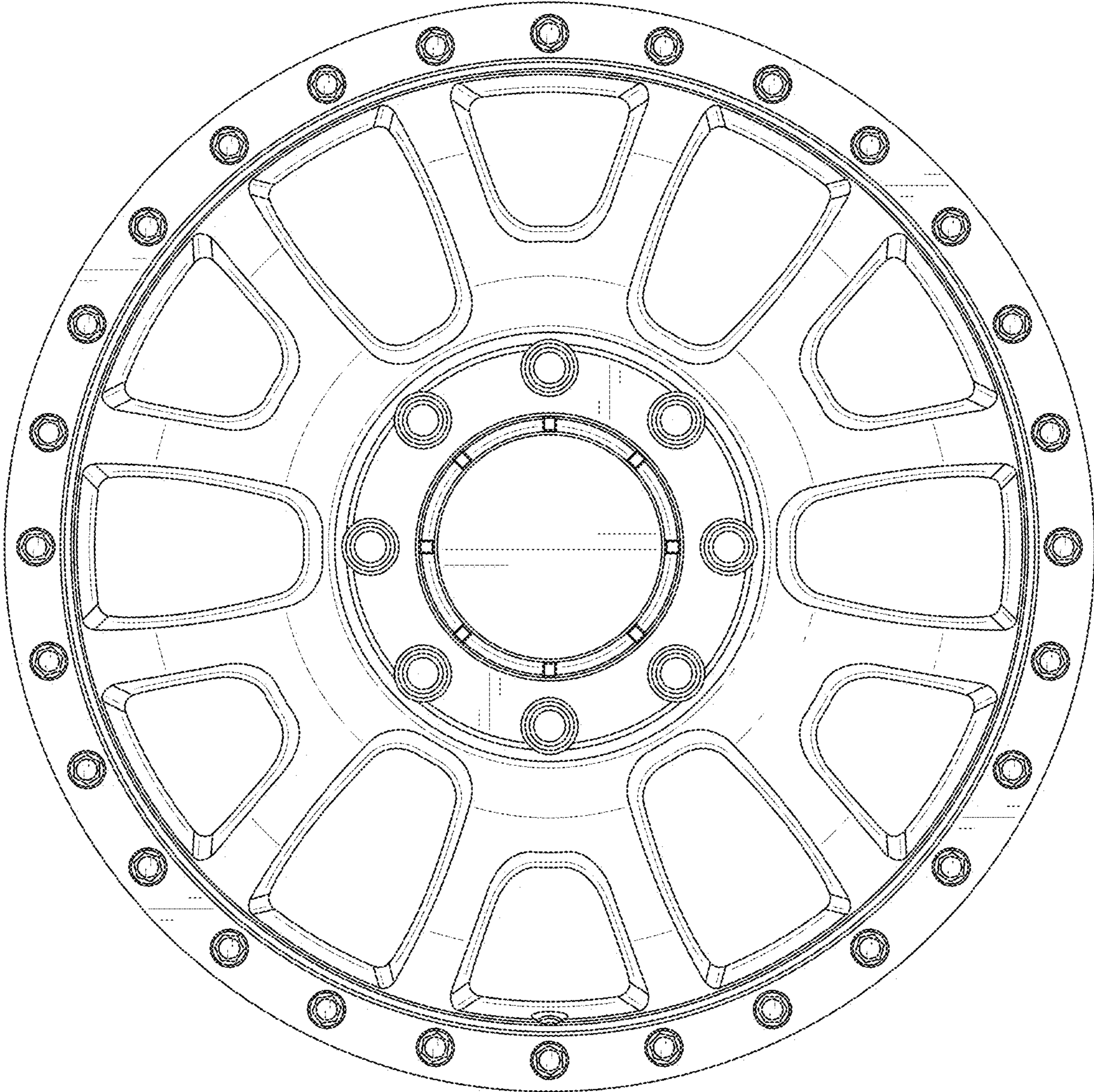


FIG. 2

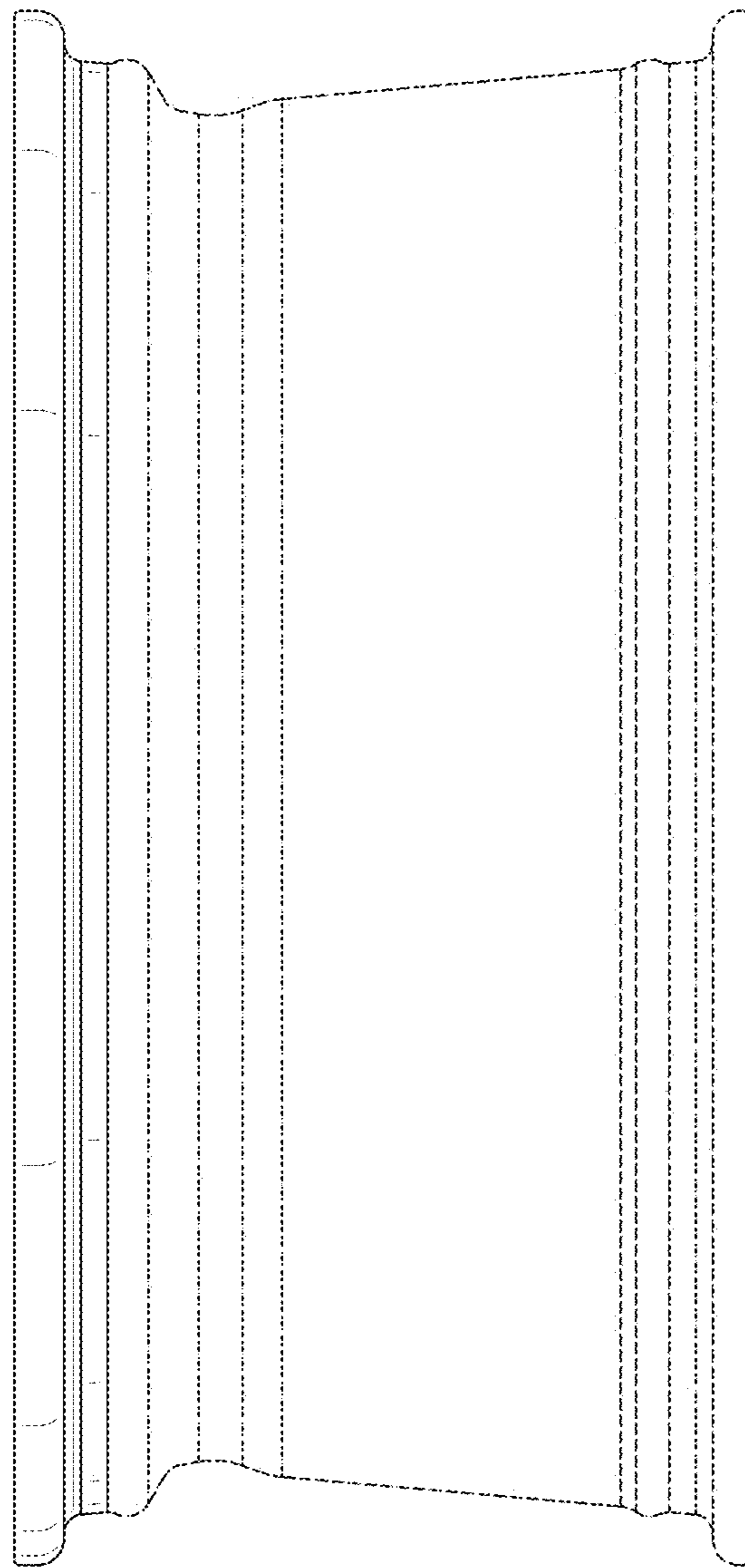


FIG. 3