



US00D960063S

(12) **United States Design Patent**
Hensel

(10) **Patent No.:** **US D960,063 S**

(45) **Date of Patent:** **** Aug. 9, 2022**

(54) **WHEEL ASSEMBLY**

(71) Applicant: **OTR Wheel Engineering, Inc.**, Rome, GA (US)

(72) Inventor: **Leonard Austin Hensel**, Rome, GA (US)

(73) Assignee: **OTR Wheel Engineering, Inc.**, Rome, GA (US)

(**) Term: **15 Years**

(21) Appl. No.: **29/686,634**

(22) Filed: **Apr. 5, 2019**

(51) **LOC (13) Cl.** **12-16**

(52) **U.S. Cl.**
USPC **D12/208**

(58) **Field of Classification Search**
USPC D12/204–213; D21/563
CPC B60B 7/00; B60B 7/02; B60B 7/04; B60B 7/01; B60B 7/06; B60B 3/02; B60B 3/04; B60B 3/06; B60B 3/10; B60B 1/00; B60B 1/08; B60B 1/10; B60B 1/12; B60B 1/042; B60B 27/0052; B60B 27/0057; B60B 27/0078; B60B 27/02; B60B 27/026; B62K 25/02

See application file for complete search history.

(56) **References Cited**

U.S. PATENT DOCUMENTS

3,724,905	A	*	4/1973	Kaehler	B60B 7/04
						301/37.42
D317,746	S	*	6/1991	Carter, III	D12/204
D492,923	S	*	7/2004	Whitehead	D12/204
D526,260	S	*	8/2006	Whitehead	D12/204
D527,324	S	*	8/2006	Whitehead	D12/204
D575,714	S	*	8/2008	Asada	D12/204

D590,759	S	*	4/2009	Eaton	D12/210
D733,631	S	*	7/2015	Dionisopoulos	D12/209
D742,294	S	*	11/2015	Iancului	D12/211
9,561,687	B2	*	2/2017	Polka	B60B 7/04
D788,670	S	*	6/2017	Chung	D12/209
D805,987	S	*	12/2017	Major	D12/204
D811,977	S	*	3/2018	Oscroft	D12/210
D823,213	S	*	7/2018	Snyder	D12/208
D865,606	S	*	11/2019	Han	D12/204
D866,435	S	*	11/2019	Interrante	D12/209
D867,966	S	*	11/2019	Barton	D12/213
D906,919	S	*	1/2021	Rosenthal	D12/204
D926,660	S	*	8/2021	Ricehouse	D12/213

* cited by examiner

Primary Examiner — Leanne Was-Englehart

(74) *Attorney, Agent, or Firm* — Lee & Hayes, P.C.

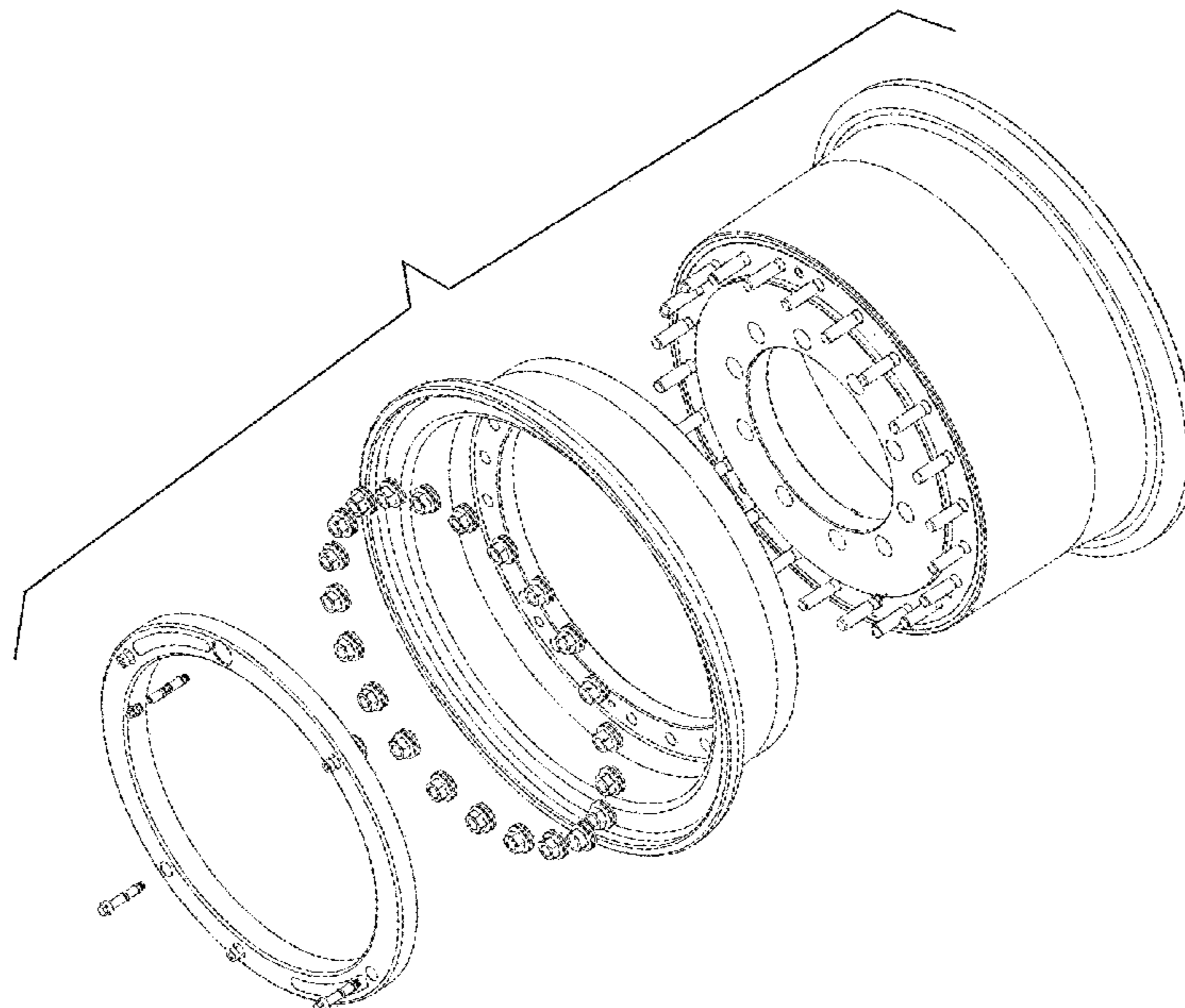
(57) **CLAIM**

The ornamental design for a wheel assembly, as shown and described.

DESCRIPTION

FIG. 1 is an exploded perspective view of a wheel assembly, showing my new design;
 FIG. 2 is a front view of the wheel assembly;
 FIG. 3 is a front view of the wheel assembly of FIG. 1 with a bolt cover ring and clamping units removed;
 FIG. 4 is a side view thereof;
 FIG. 5 is a rear view thereof;
 FIG. 6 is a front view of a portion of the wheel assembly of FIG. 1, namely the bolt cover ring;
 FIG. 7 is a rear view of the portion of the wheel assembly of FIG. 6
 FIG. 8 is a perspective rear view of the portion of the wheel assembly of FIG. 6; and,
 FIG. 9 is a front perspective view of the inner wheel portion of the wheel assembly of FIG. 1.

1 Claim, 9 Drawing Sheets



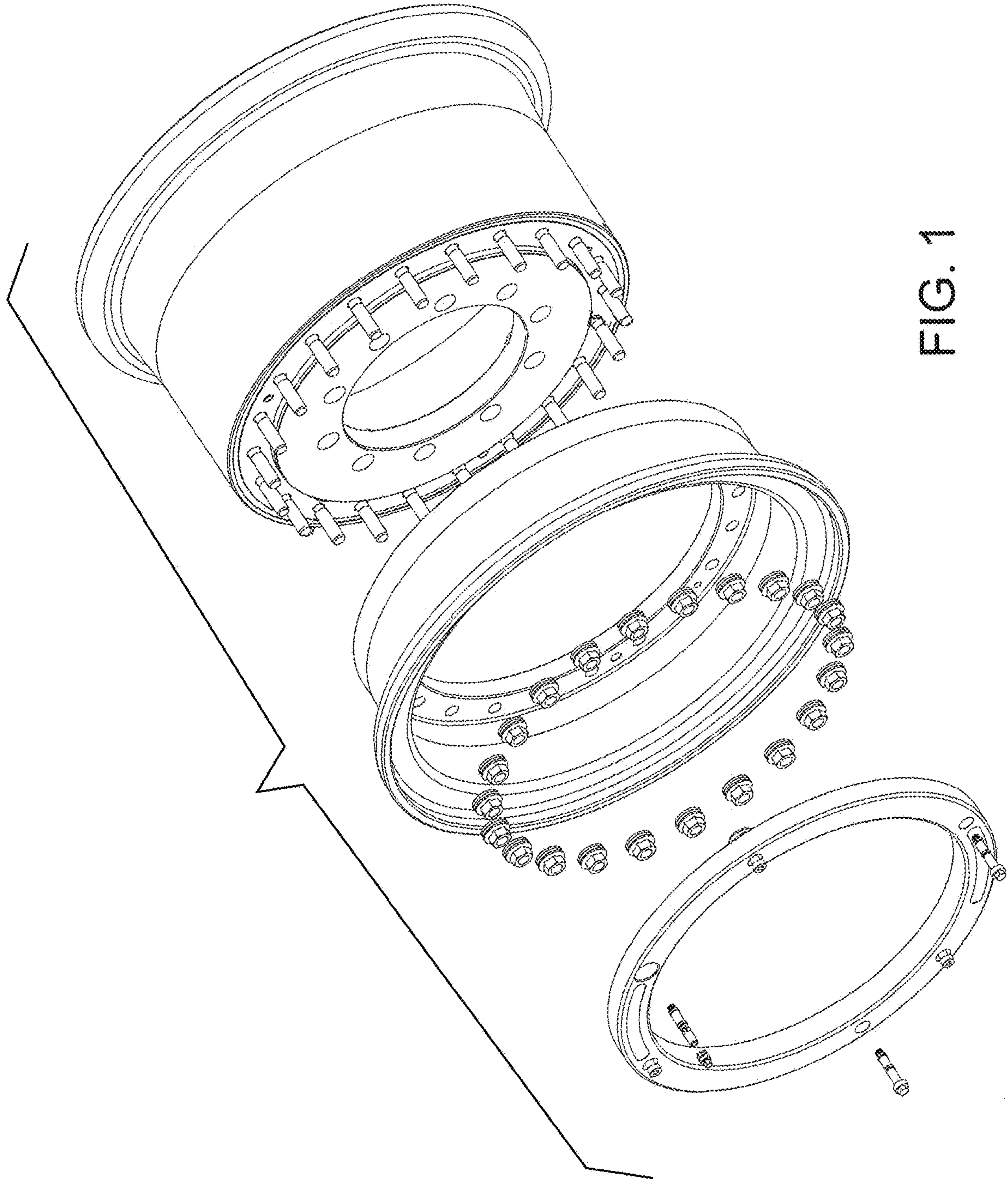


FIG. 1

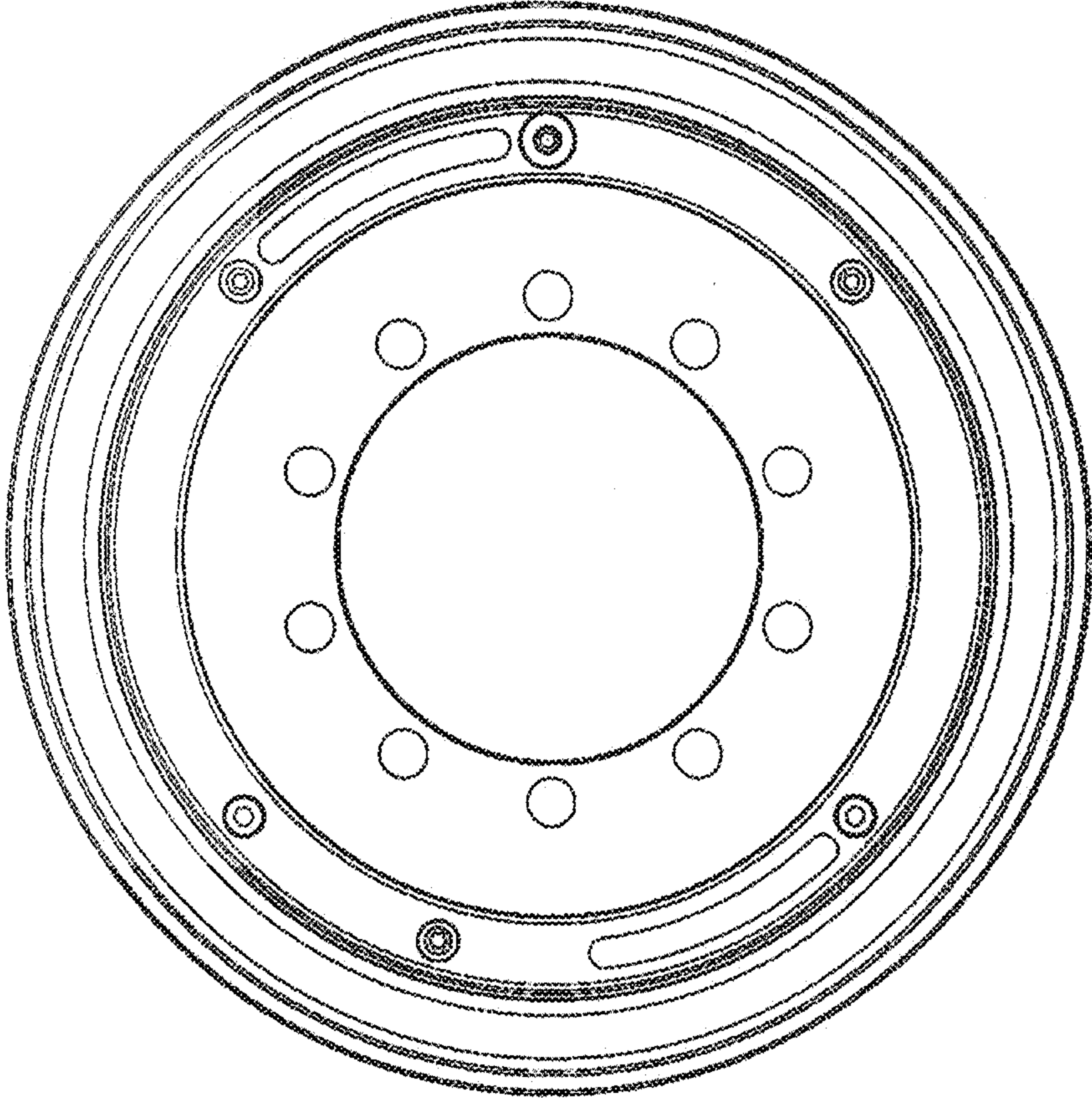


FIG. 2

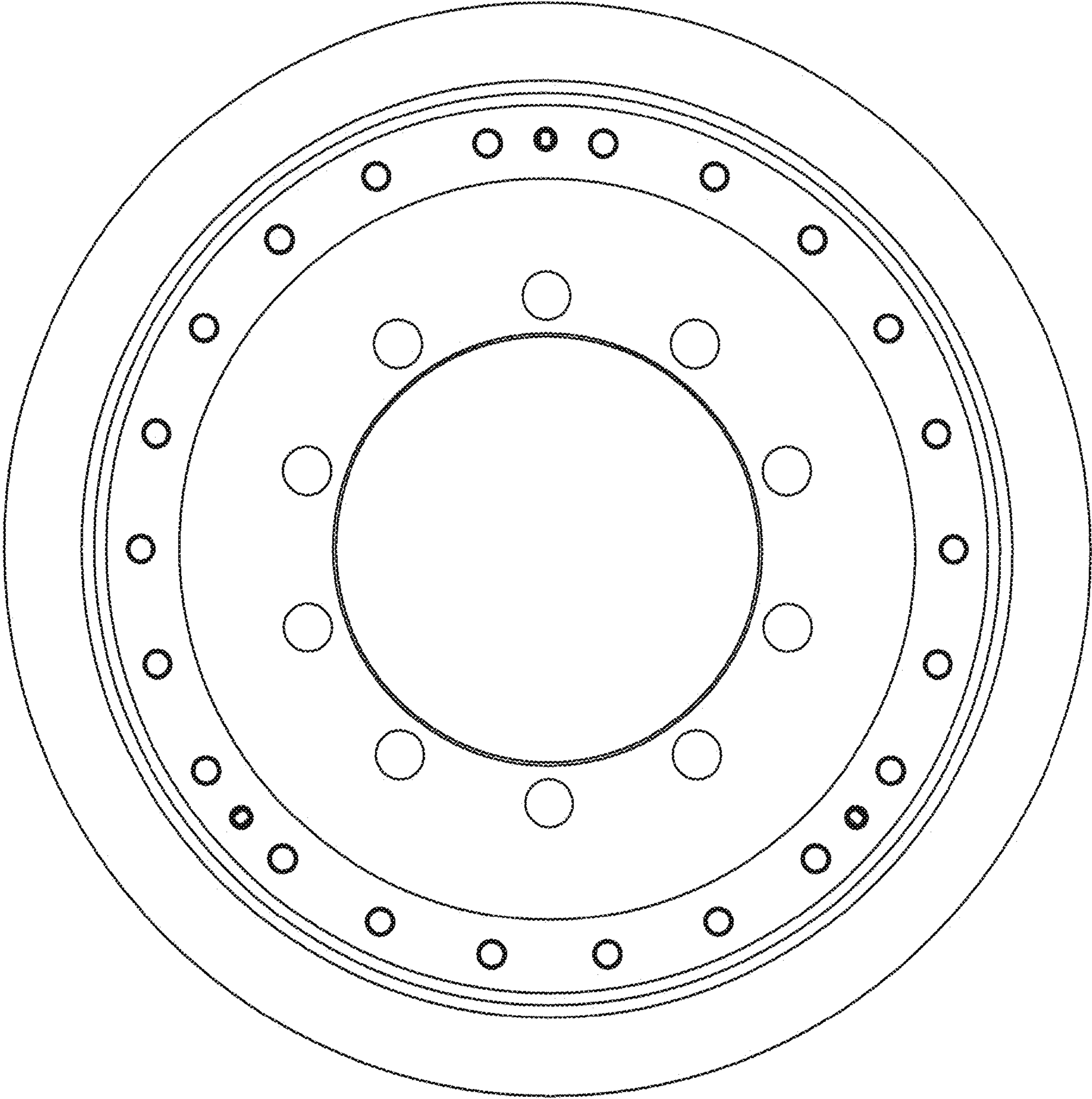


FIG. 3

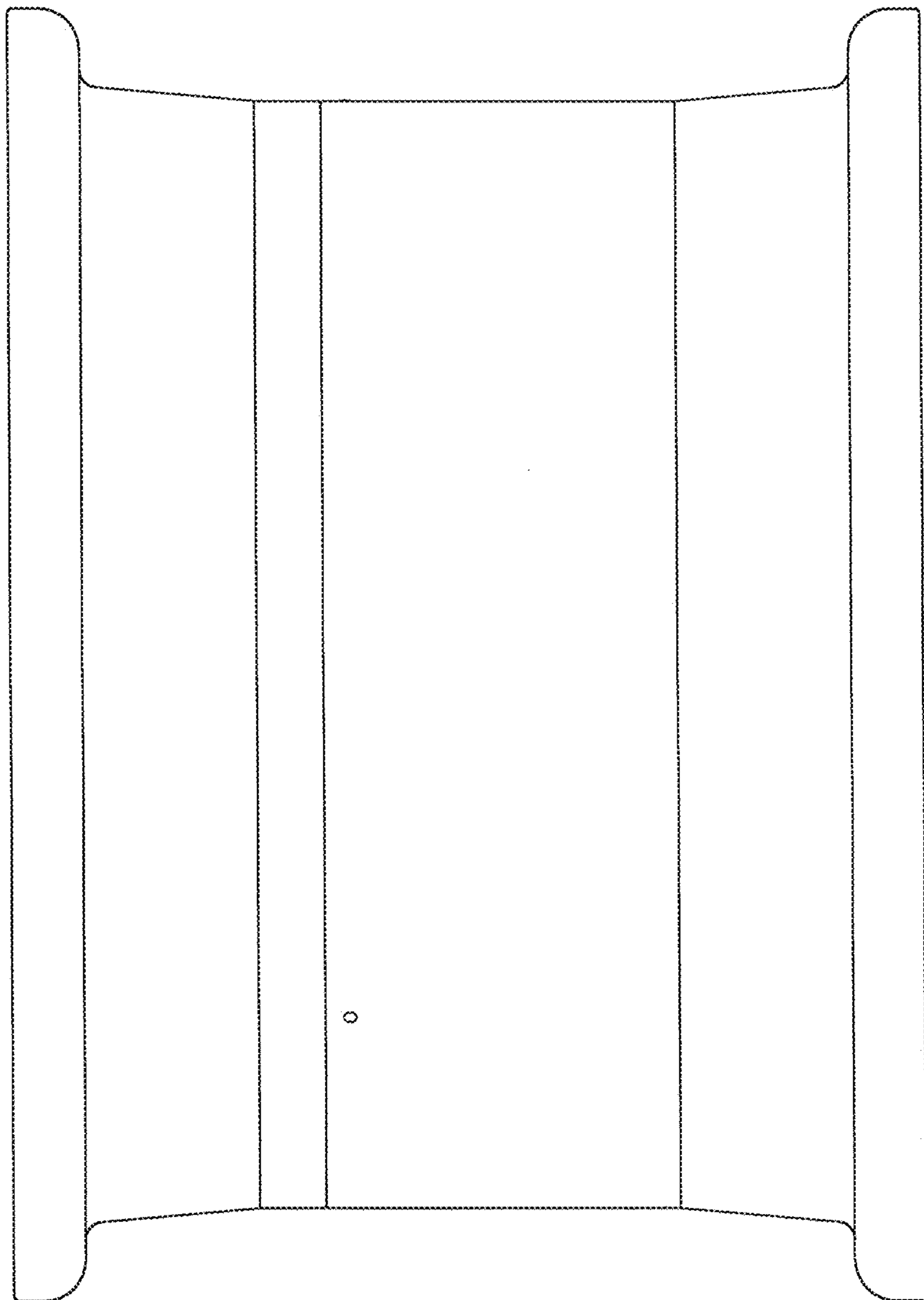


FIG. 4

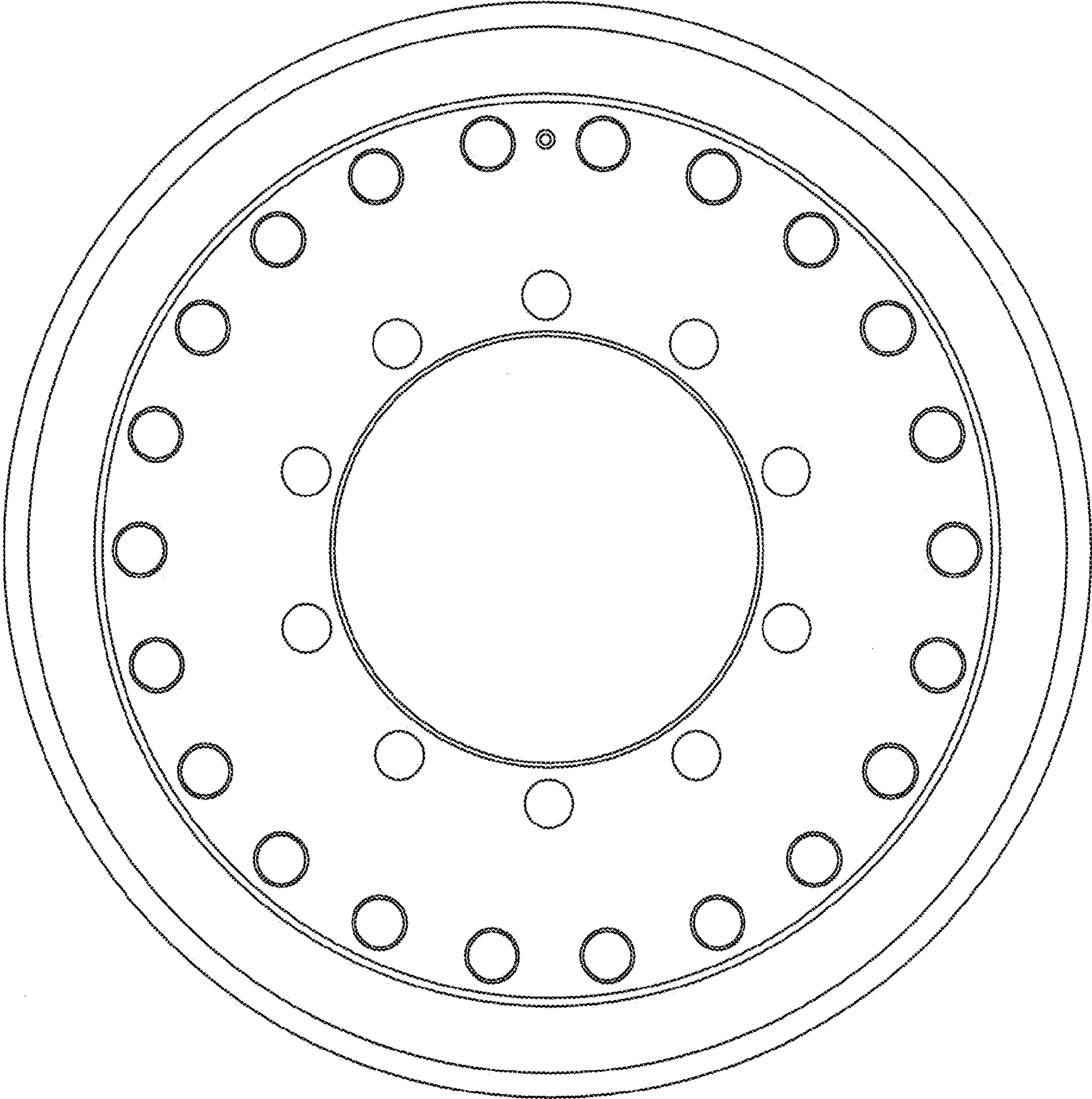


FIG. 5

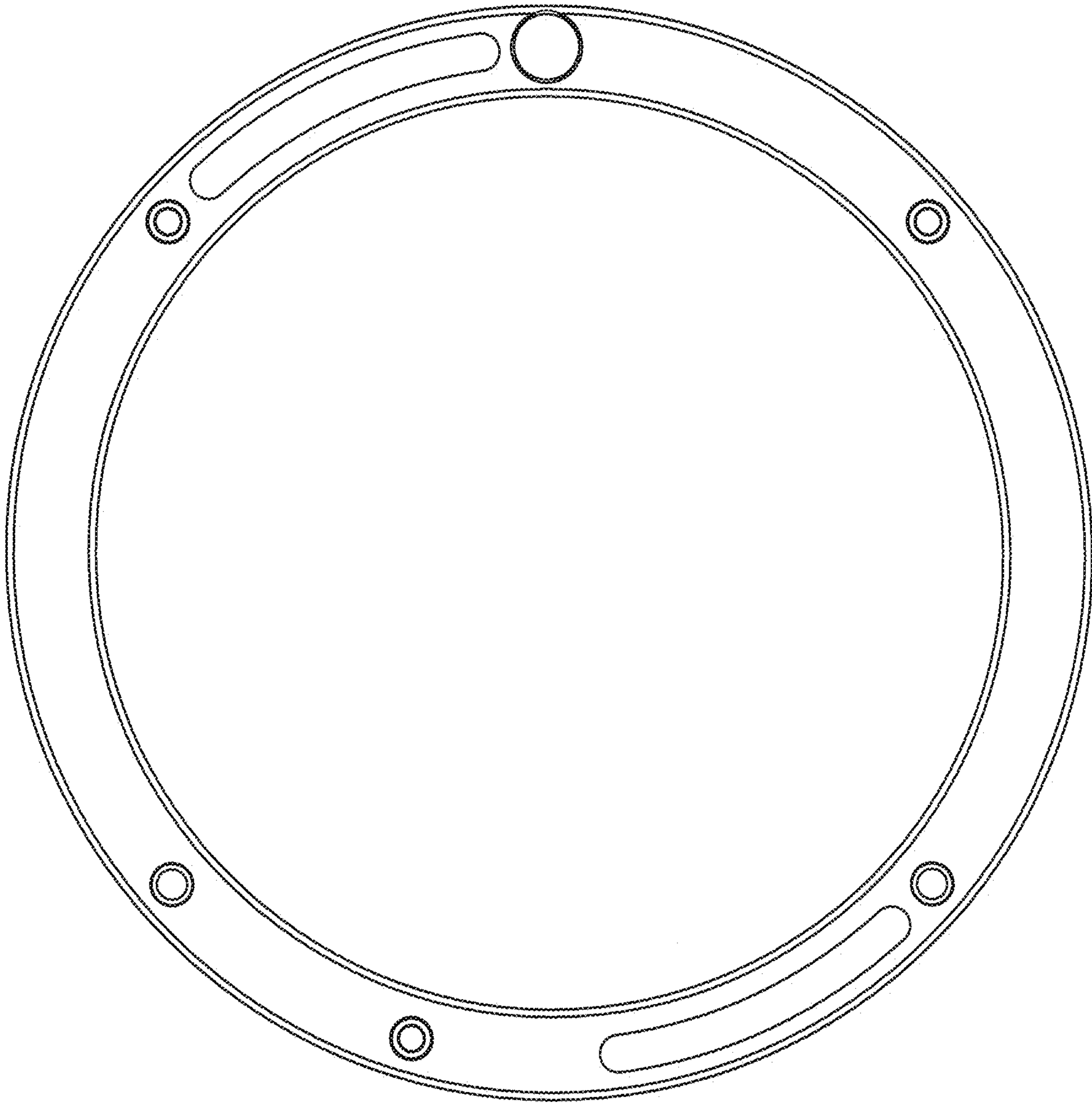


FIG. 6

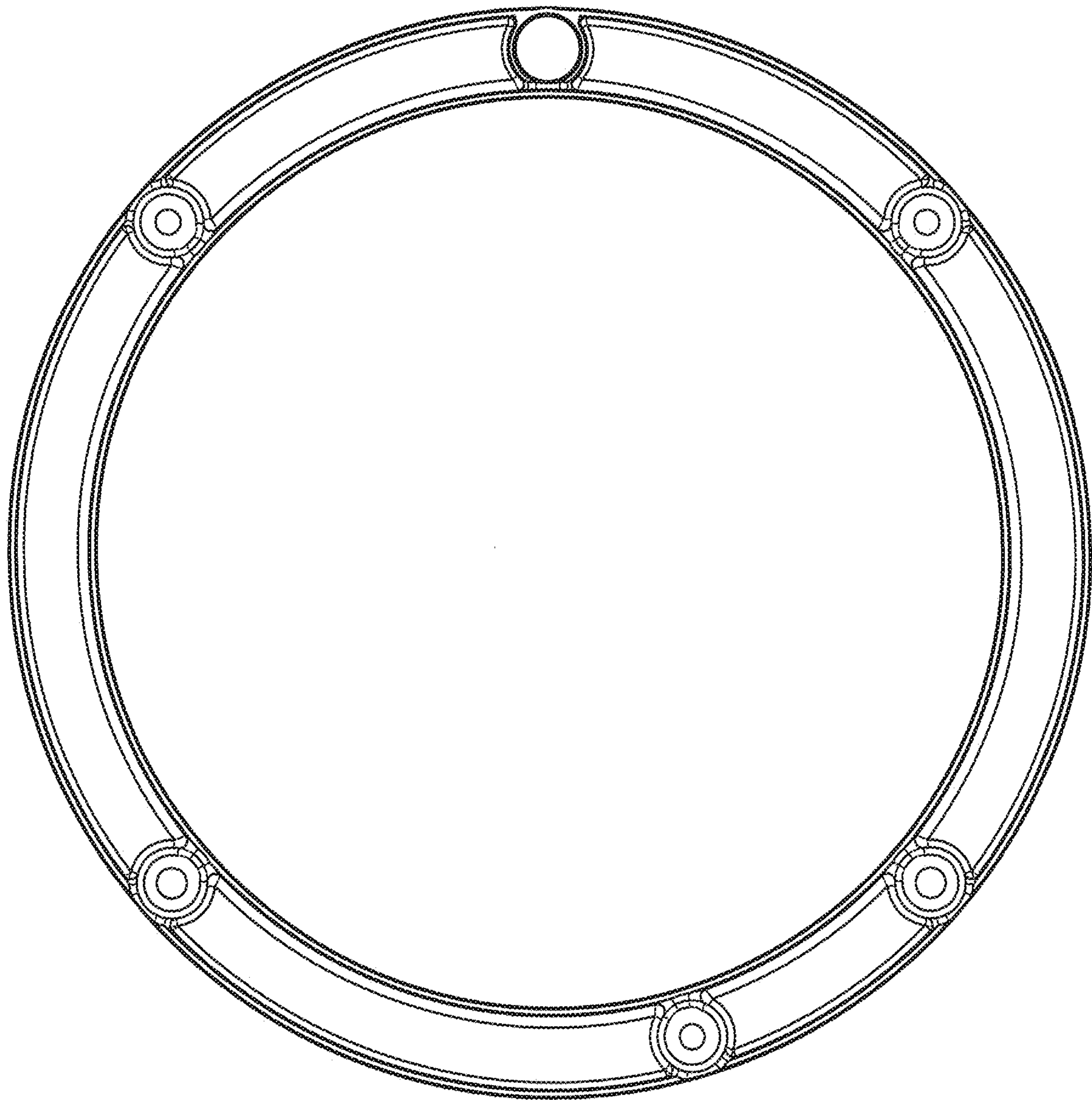


FIG. 7

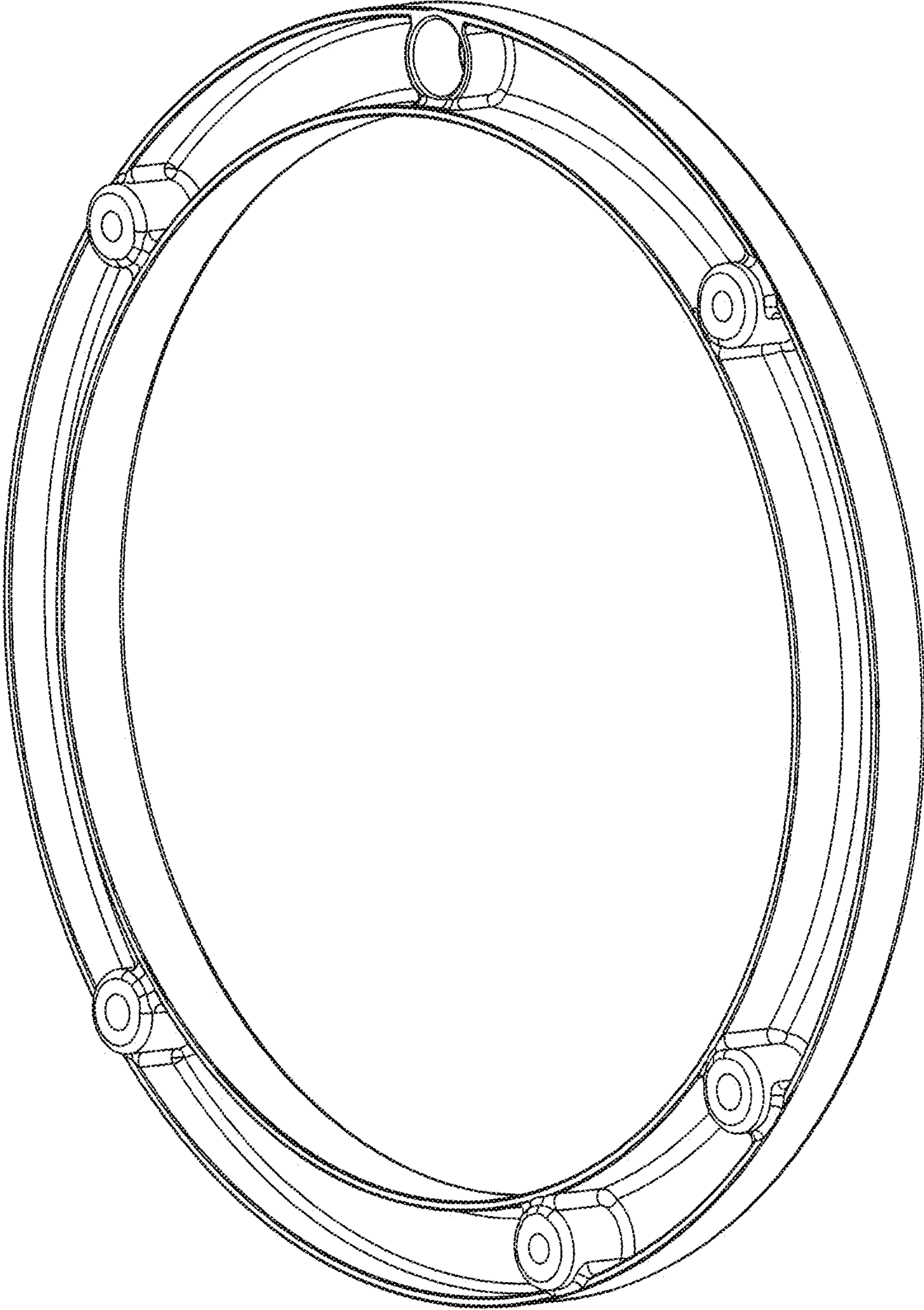


FIG. 8

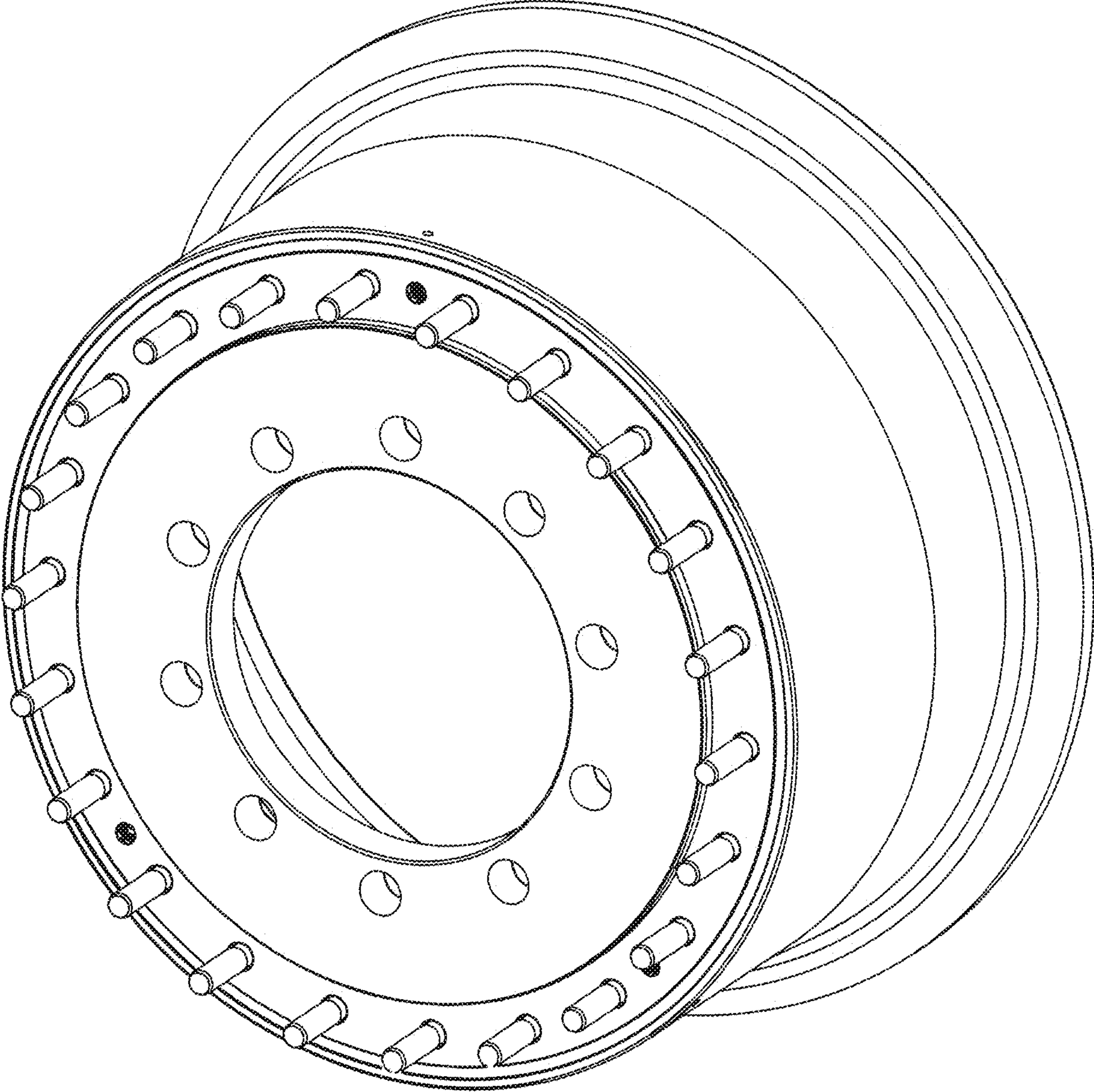


FIG. 9