



US00D960060S

(12) **United States Design Patent** (10) **Patent No.:** **US D960,060 S**
Moore et al. (45) **Date of Patent:** **** Aug. 9, 2022**

(54) **FENDER COVER**
(71) Applicant: **JS Products, Inc.**, Las Vegas, NV (US)
(72) Inventors: **James Moore**, Las Vegas, NV (US);
Richard Yang, Las Vegas, NV (US)
(73) Assignee: **JS Products, Inc.**, Las Vegas, NV (US)
(**) Term: **15 Years**
(21) Appl. No.: **29/709,019**
(22) Filed: **Oct. 10, 2019**
(51) **LOC (13) Cl.** **12-16**
(52) **U.S. Cl.**
USPC **D12/196**
(58) **Field of Classification Search**
USPC D12/190, 401, 196, 400
CPC B60J 11/04; B60J 11/06; G03B 11/04;
B65D 65/02
See application file for complete search history.

5,924,761 A * 7/1999 Harrison B60P 3/341
296/159
5,931,255 A 8/1999 Sewell
5,945,194 A * 8/1999 Pester B60J 11/06
428/120

(Continued)

OTHER PUBLICATIONS

Fender covers. (Design—© Questel) orbit.com. [Online PDF compilation of references] 26 pgs. Print Dates Range Dec. 14, 2020-Jan. 23, 2014 [Retrieved Jan. 12, 2022].*

(Continued)

Primary Examiner — Manpreet S Matharu
Assistant Examiner — Suzanne E Tisdell
(74) *Attorney, Agent, or Firm* — Weide & Miller, Ltd.

(57) **CLAIM**

The ornamental design for a fender cover, as shown and described.

DESCRIPTION

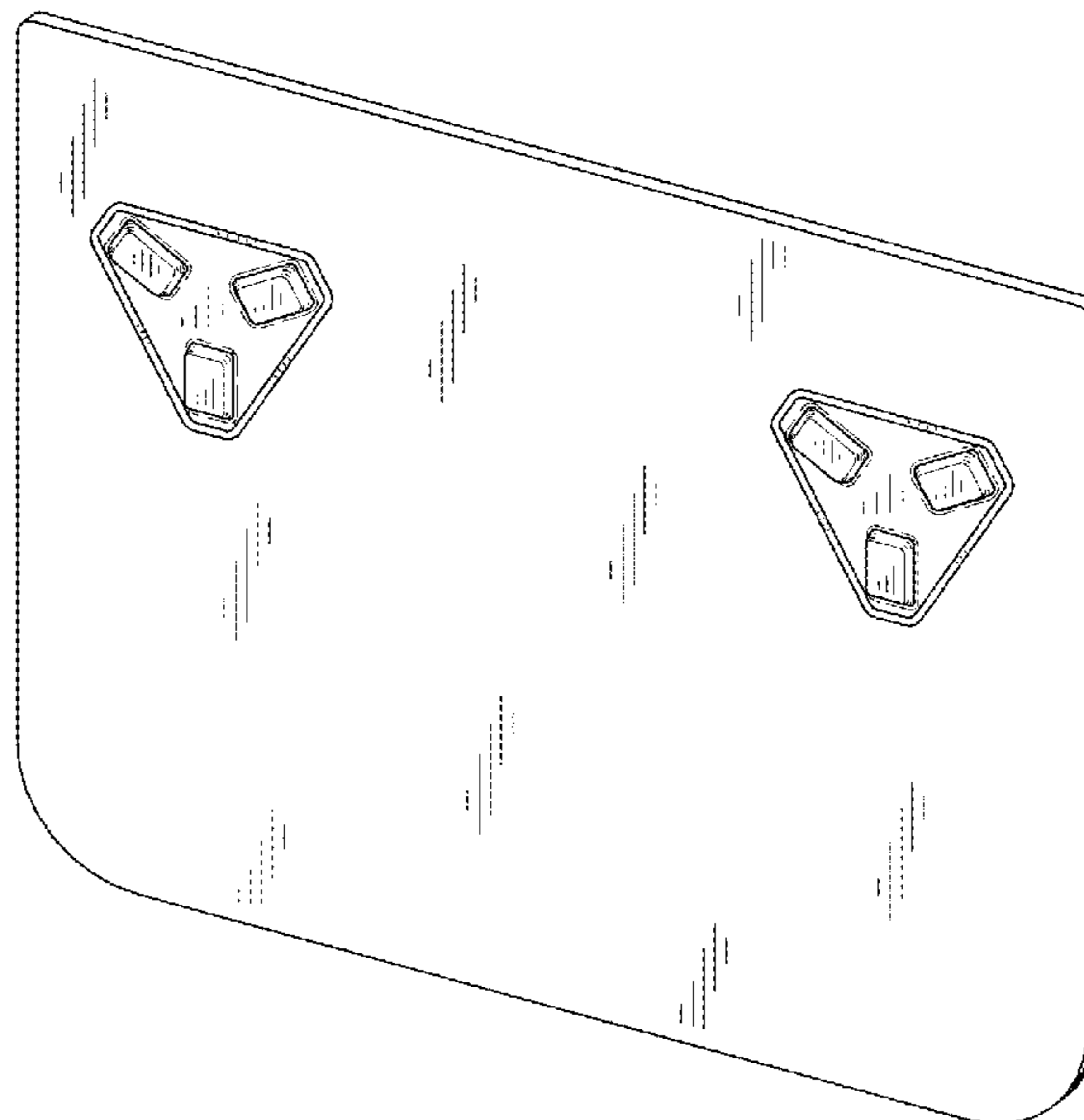
FIG. 1 is a top right perspective view of a fender cover showing the new design;
FIG. 2 is a top view of the fender cover shown in FIG. 1;
FIG. 3 is a left-side view of the fender cover shown in FIG. 1;
FIG. 4 is a rear view of the fender cover shown in FIG. 1;
FIG. 5 is a right-side view of the fender cover shown in FIG. 1;
FIG. 6 is a bottom view of the fender cover shown in FIG. 1; and
FIG. 7 is a front view of the fender cover shown in FIG. 1; and,
FIG. 8 is a top left perspective view of the fender cover shown in FIG. 1 in an exemplary environment of use.
The broken lines indicate environmental subject-matter that forms no part of the claimed design.

(56) **References Cited**

U.S. PATENT DOCUMENTS

4,639,027 A	1/1987	Boyd	
4,810,015 A	3/1989	McNeil	
4,849,272 A	7/1989	Haney et al.	
4,884,824 A	12/1989	Radke	
5,050,925 A	9/1991	Brown	
5,072,979 A	12/1991	Swinton	
5,129,695 A	7/1992	Norman, II	
5,188,407 A	2/1993	Villaveces et al.	
5,788,307 A	8/1998	Gilbert	
5,799,975 A	9/1998	Circk	
D408,006 S *	4/1999	Webb	D12/401
5,899,287 A *	5/1999	Kadlubski	B60J 11/00 180/68.6
D411,162 S	6/1999	Richter	
5,919,541 A *	7/1999	Emory	B32B 3/08 428/76

1 Claim, 3 Drawing Sheets



(56)

References Cited

U.S. PATENT DOCUMENTS

6,152,487 A * 11/2000 Crick B60J 11/06
 280/770
 D435,241 S * 12/2000 Brantley D12/401
 6,209,599 B1 * 4/2001 Richardson B62J 19/00
 150/167
 6,286,964 B1 * 9/2001 Litmer B60R 1/06
 150/154
 D494,904 S * 8/2004 Dishong D12/190
 2006/0043761 A1 * 3/2006 Harcourt B60J 11/00
 296/136.02
 2011/0304129 A1 * 12/2011 Owens B62D 25/182
 280/849
 2015/0114532 A1 * 4/2015 Yang B60J 11/04
 150/166

OTHER PUBLICATIONS

Performance Tool W80583 Fender Cover with Foam Packing and
 Tool Pockets. Jul. 7, 2004. Amazon. [https://www.amazon.com/
 Performance-Tool-W80583-Fender-Cover/dp/B0002KO3AG/ref=
 psdc_15735711_t2_B091YP7W99?th=1](https://www.amazon.com/Performance-Tool-W80583-Fender-Cover/dp/B0002KO3AG/ref=psdc_15735711_t2_B091YP7W99?th=1).*

Lisle 89880 Red Fender Cover. Jun. 25, 2019. Amazon. [https://
 www.amazon.com/Lisle-89880-Red-Fender-Cover/dp/B07TM71FK6/
 ref=psdc_15735711_t5_B091YP7W99](https://www.amazon.com/Lisle-89880-Red-Fender-Cover/dp/B07TM71FK6/ref=psdc_15735711_t5_B091YP7W99).*

RUPSE Automotive Mechanic Magnetic Fender Cover Mat Pad Set
 3pcs. Dec. 18, 2016. Amazon. [https://www.amazon.com/RUPSE-
 Automotive-Mechanic-Magnetic-Protective/dp/B01NCNBR0V/ref=
 pd_sbs_5/141-4877602-3041268?pd_rd_w=rhlTQ&pf_rd_p=690958f6-
 2825-419e-9c16-73ffd4055b65&pf_rd_r=
 3TYCEGKW8GJJEAV4B2SC&pd_rd_r=d2dbe623-2643](https://www.amazon.com/RUPSE-Automotive-Mechanic-Magnetic-Protective/dp/B01NCNBR0V/ref=pd_sbs_5/141-4877602-3041268?pd_rd_w=rhlTQ&pf_rd_p=690958f6-2825-419e-9c16-73ffd4055b65&pf_rd_r=3TYCEGKW8GJJEAV4B2SC&pd_rd_r=d2dbe623-2643).*

* cited by examiner

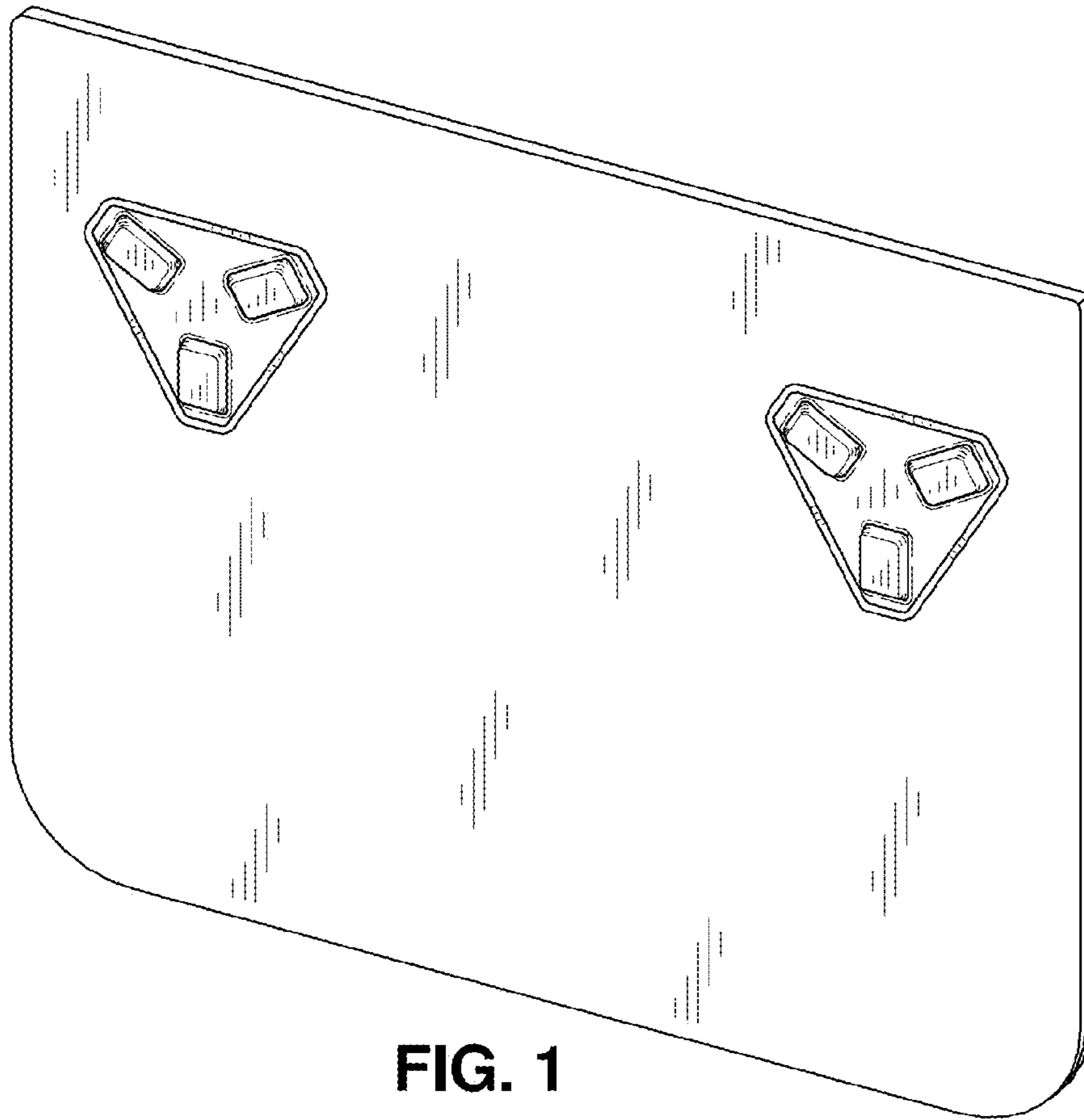


FIG. 1

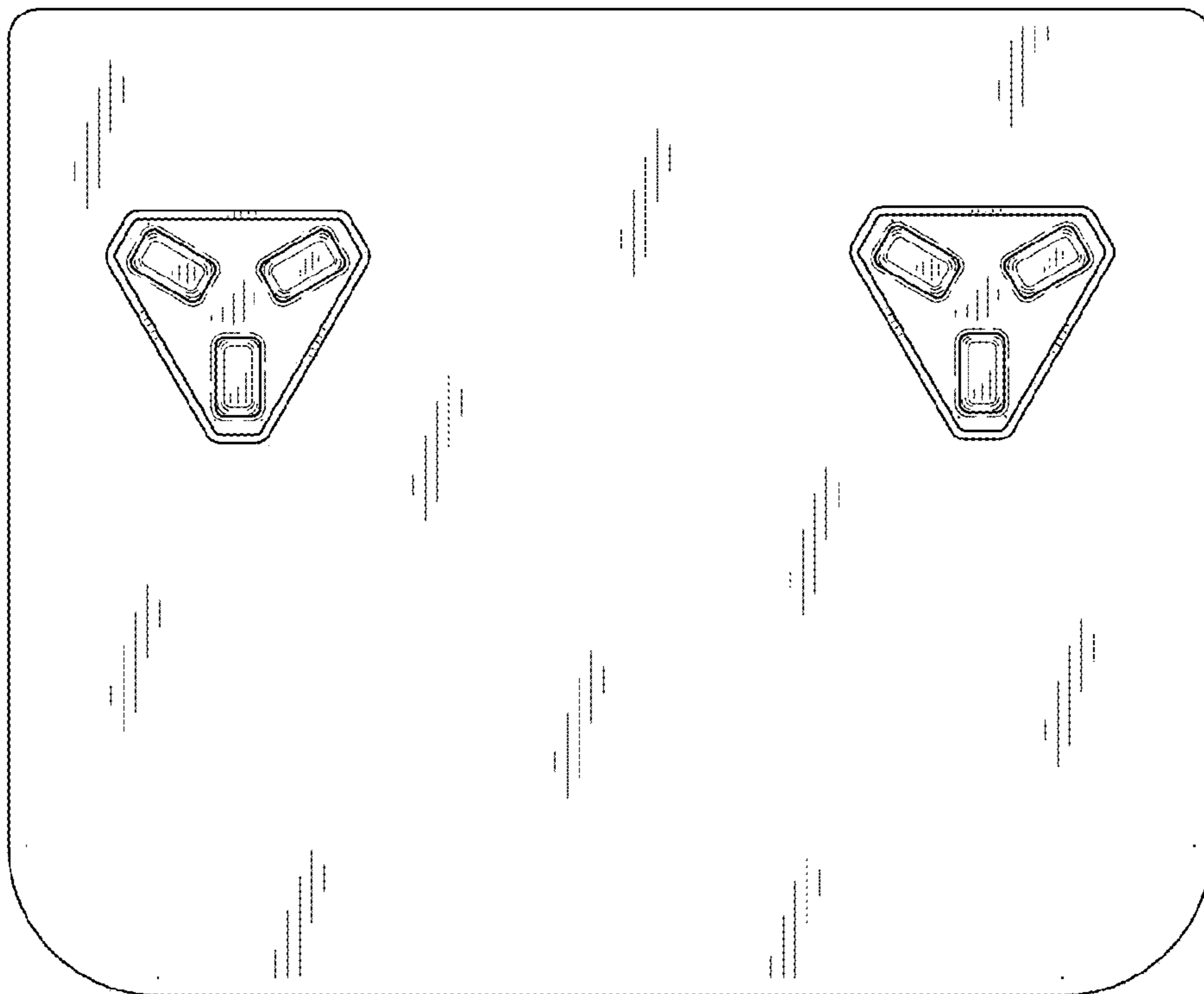


FIG. 2

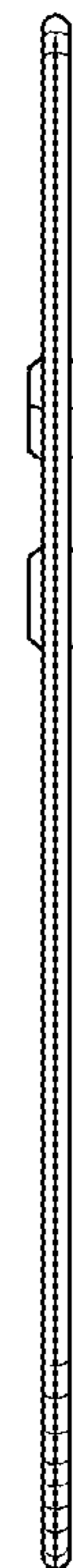


FIG. 3

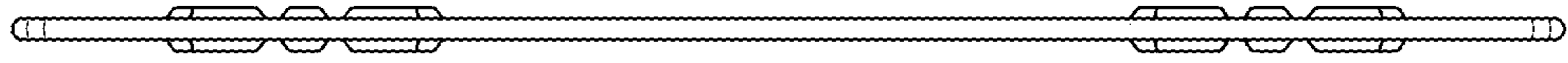


FIG. 4

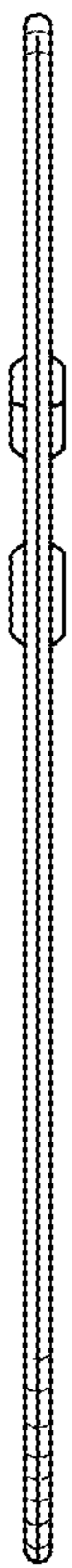


FIG. 5

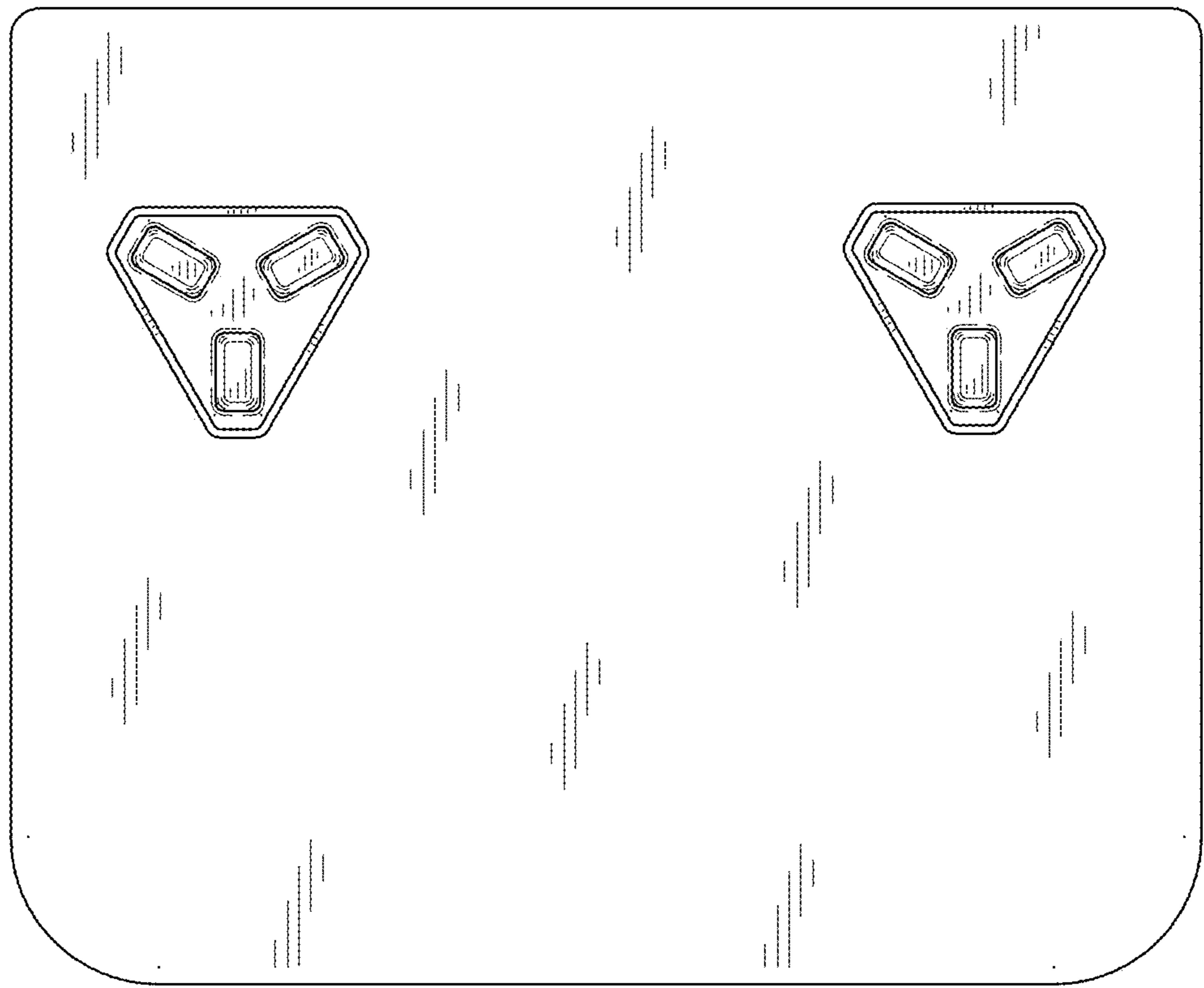


FIG. 6

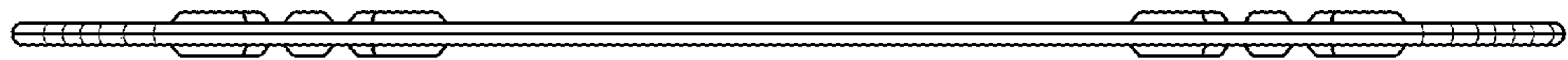


FIG. 7

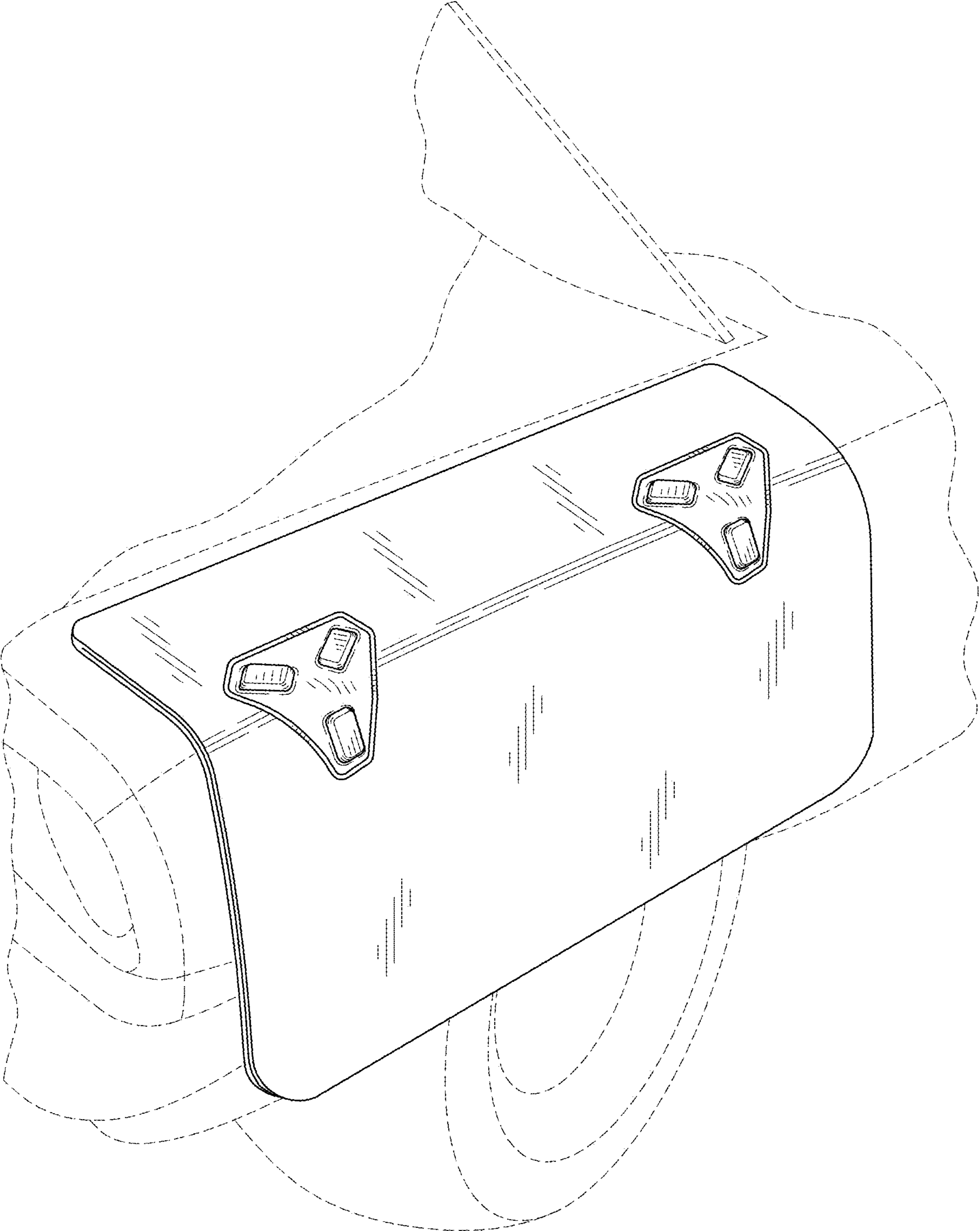


FIG. 8