



US00D960059S

(12) **United States Design Patent** (10) **Patent No.:** **US D960,059 S**
Mallicote et al. (45) **Date of Patent:** **** Aug. 9, 2022**

(54) **FENDER FLARES**

(71) Applicant: **Bodyguard Products LLC**, Paris, TX (US)

(72) Inventors: **Charles Grant Mallicote**, Sumner, TX (US); **Kelli Renee Mallicote**, Sumner, TX (US); **Caleb Michael Hix**, Paris, TX (US)

(73) Assignee: **Bodyguard Products LLC**, Paris, TX (US)

(**) Term: **15 Years**

(21) Appl. No.: **29/788,696**

(22) Filed: **Jul. 19, 2021**

Related U.S. Application Data

(60) Division of application No. 29/707,736, filed on Sep. 30, 2019, now Pat. No. Des. 925,421, which is a continuation of application No. 29/665,493, filed on Oct. 3, 2018, now Pat. No. Des. 861,561.

(51) **LOC (13) Cl.** **12-16**

(52) **U.S. Cl.**
USPC **D12/184**

(58) **Field of Classification Search**
USPC D12/114, 181, 184, 196; D15/28
CPC B60R 13/00; B60R 13/08; B32B 27/08;
B62D 25/02; B62D 25/16; B62D 25/18
See application file for complete search history.

(56) **References Cited**

U.S. PATENT DOCUMENTS

5,511,808 A 4/1996 Rowland
7,044,515 B2 5/2006 Mooijman
D582,825 S 12/2008 Logan
D610,511 S 2/2010 Dubanowski et al.
D623,103 S * 9/2010 Braga D12/181
D644,581 S * 9/2011 Beigel D12/181

D652,358 S 1/2012 Hodges
D712,324 S * 9/2014 McFarlin D12/181
8,882,121 B2 11/2014 Ducroquet
9,278,716 B1 3/2016 Joseph et al.
D756,870 S 5/2016 Tsutamori
D758,935 S 6/2016 Platto et al.

(Continued)

OTHER PUBLICATIONS

Fender Flares. (Design—© Questel) orbit.com. [Online PDF compilation of references] 29 pgs. Print Dates Range Apr. 25, 2019-Oct. 10, 2003 [Retrieved Mar. 9, 2022].*

(Continued)

Primary Examiner — Manpreet S Matharu
Assistant Examiner — Suzanne E Tisdell

(74) *Attorney, Agent, or Firm* — Knobbe, Martens, Olson & Bear, LLP

(57) **CLAIM**

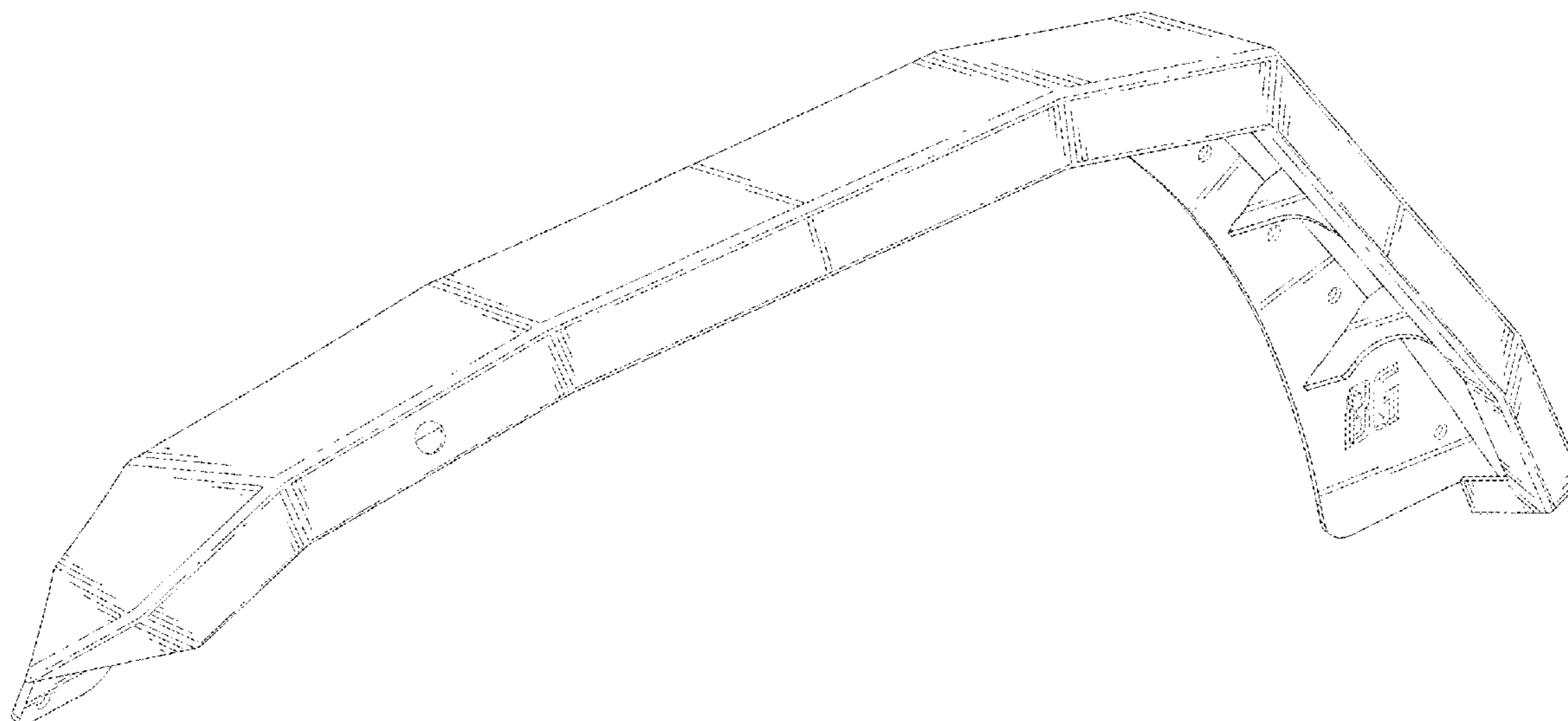
The ornamental design for a fender flare, as shown and described.

DESCRIPTION

FIG. 1 is a perspective view showing top and front surfaces of a fender flare.
FIG. 2 is a perspective view showing bottom and rear surfaces thereof.
FIG. 3 is a front view thereof.
FIG. 4 is a rear view thereof.
FIG. 5 is a left side view thereof.
FIG. 6 is a right side view thereof.
FIG. 7 is a top view thereof; and,
FIG. 8 is a bottom view thereof.

The broken lines in the drawings illustrate portions of the fender flares which form no part of the claimed design. Certain features, such as fasteners, fastener holes, mounting structures and cut-out logos are shown in broken lines and disclaimed.

1 Claim, 7 Drawing Sheets



(56)

References Cited

U.S. PATENT DOCUMENTS

9,403,557 B1 8/2016 Sharma
 D765,569 S 9/2016 Hall et al.
 9,487,238 B2 11/2016 Iwano et al.
 D775,031 S 12/2016 Frascella
 D778,795 S 2/2017 Johns et al.
 D781,193 S 3/2017 McMath
 D785,522 S 5/2017 McMath
 D787,395 S 5/2017 Curic et al.
 D790,418 S 6/2017 McMath
 9,669,876 B2 6/2017 Iwano
 9,738,322 B2 8/2017 Matthiessen et al.
 D803,119 S 11/2017 Beermann
 D803,741 S 11/2017 Tsubaki et al.
 D805,013 S 12/2017 Whitla et al.
 D806,622 S 1/2018 Granlund
 D807,261 S 1/2018 Zavatski et al.
 9,890,966 B2 2/2018 Mueller et al.
 D817,829 S 5/2018 Behmer et al.
 D823,741 S 7/2018 Kim
 10,023,241 B2 7/2018 Umemoto
 10,035,543 B2 7/2018 Sato et al.
 D826,811 S 8/2018 Lim
 D827,527 S 9/2018 Loeb
 D827,528 S 9/2018 Gueler et al.
 D827,529 S 9/2018 Al Attar
 D828,254 S 9/2018 Simm
 10,077,085 B2 9/2018 Pfaffelhuber
 D829,751 S 10/2018 Schaper et al.
 D855,519 S * 8/2019 Bundy D12/184
 D861,561 S * 10/2019 Mallicote D12/184
 D863,159 S * 10/2019 Goodrich D12/184
 D875,006 S * 2/2020 DiCanzio D12/184
 D892,694 S * 8/2020 Li D12/196
 D901,348 S * 11/2020 Goodrich D12/184
 D911,893 S * 3/2021 Li D12/184
 D925,421 S * 7/2021 Mallicote D12/184
 D935,965 S * 11/2021 Yang D12/184

D935,966 S * 11/2021 Bibb, VI D12/184
 2007/0182151 A1 8/2007 Aulabaugh
 2020/0108873 A1 4/2020 Mallicote et al.

OTHER PUBLICATIONS

Chevy Silverado GMC Sierra Texture Black Fender Flare Kit. 2006. Pro Tuning Lab. https://www.protuninglab.com/99chsisuavsi.html?utm_source=googlepepla&utm_medium=adwords&id=1486002722327&gclid=EAAlQobChMIluq50IW69glVPwalCR3fKAIiNEAQYAiABEgKIRfD_BwE.*
 Jeep Wrangler Fender Flares. 2006. Extreme Terrain. https://www.extremeterrain.com/jeep-wrangler-fender-flares-wf-jeep97-mbk.html?utm_content=XTEterior-FenderFlares%7CStoreBrand&T5_Var4=J143134&intl=0&utm_campaign=XTW+Wrangler+No+Vehicle+High+RLSA&dialogtech=ppc&utm_source=google-pla&utm_medium=shopping&T5_Var.*
 Barricade Jeep Wrangler Tubular Fender Flares. 2018. Extreme Terrain. https://www.extremeterrain.com/barricade-tubular-fender-flares-0717-jk-1.html?utm_content=XTEterior-FenderFlares%7CBarricade&T5_Var4=J107018&intl=0&utm_campaign=XTW+Wrangler+No+Vehicle+High+RLSA&dialogtech=ppc&utm_source=google-pla&utm_mediu.*
 Hammerhead Armor Facebook page imagine post of Fender Armor dated Jan. 18, 2017.
 Hammerhead, “Hammerhead Front Armor Flares Installation Instructions: 2007-2017 Jeep JK”, dated Nov. 14, 2016, in 4 pages.
 Jeep JL Rear Fender Flares For 18-Pres Wrangler JL Black Ravager Series Hammerhead Armor | Hammethead Armor. <https://hammerheadarmor.com/product/jeep-jl-gladiator-replacement-front-flares-2018-20xx/>.
 Jeep JL 2018—20XX, Ravager Rear Flare Installation Instructions, 600-56-0827, dated Sep. 24, 2018, in 6 pages.
 Jeep JL 2018—20XX, Ravager Rear Flare Installation Instructions, 600-56-0829, dated Sep. 24, 2018, in 7 pages.

* cited by examiner

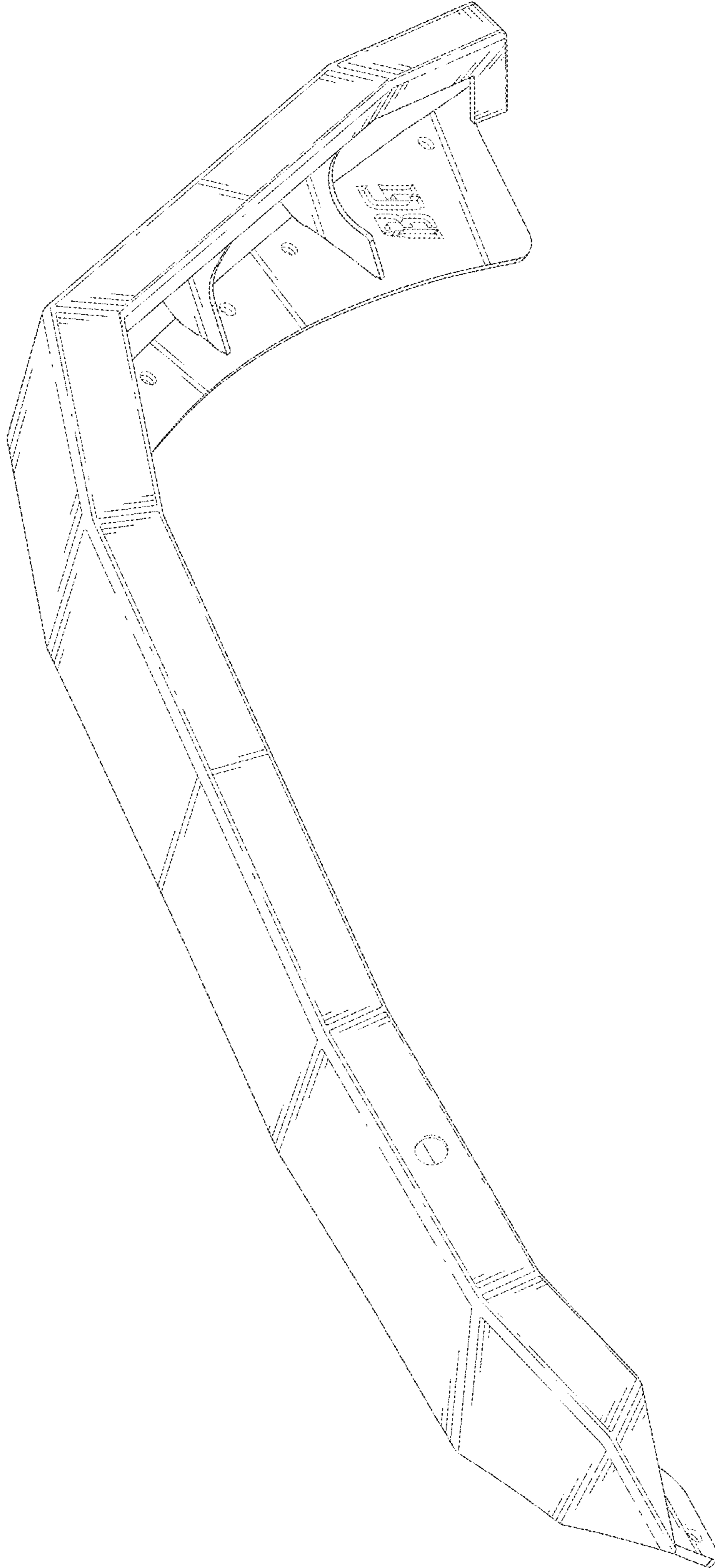


FIG. 1

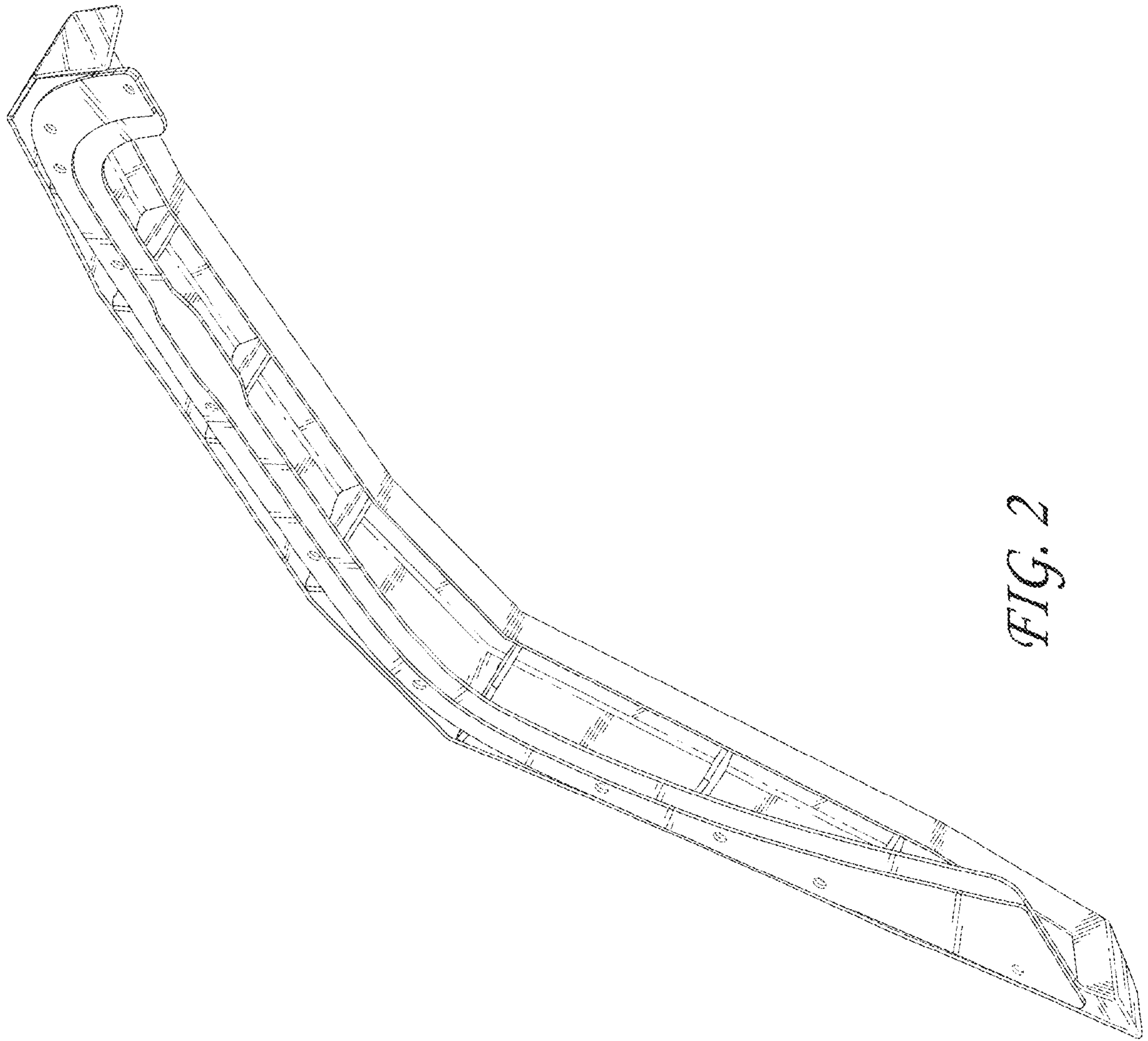


FIG. 2

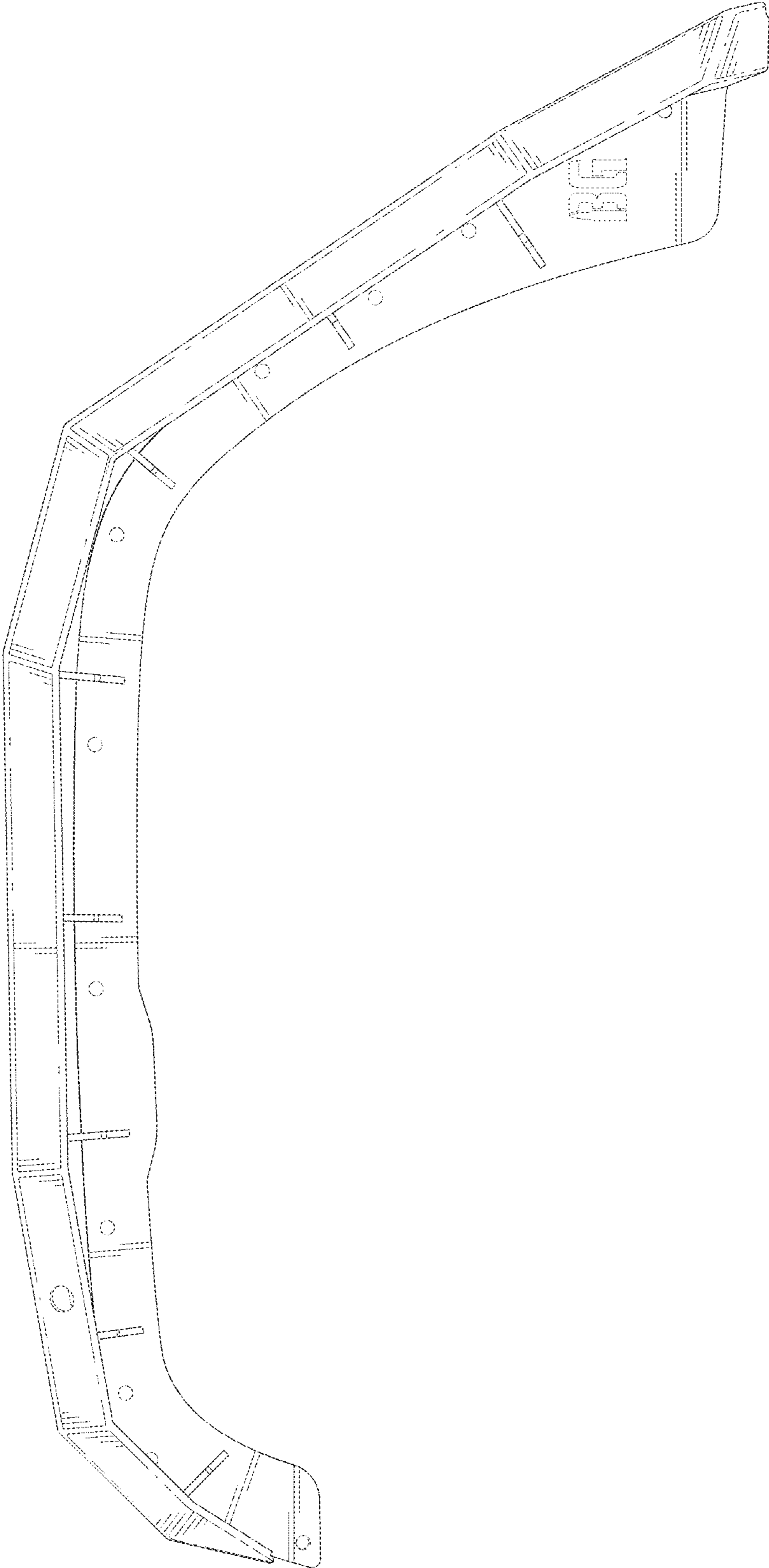


FIG. 3

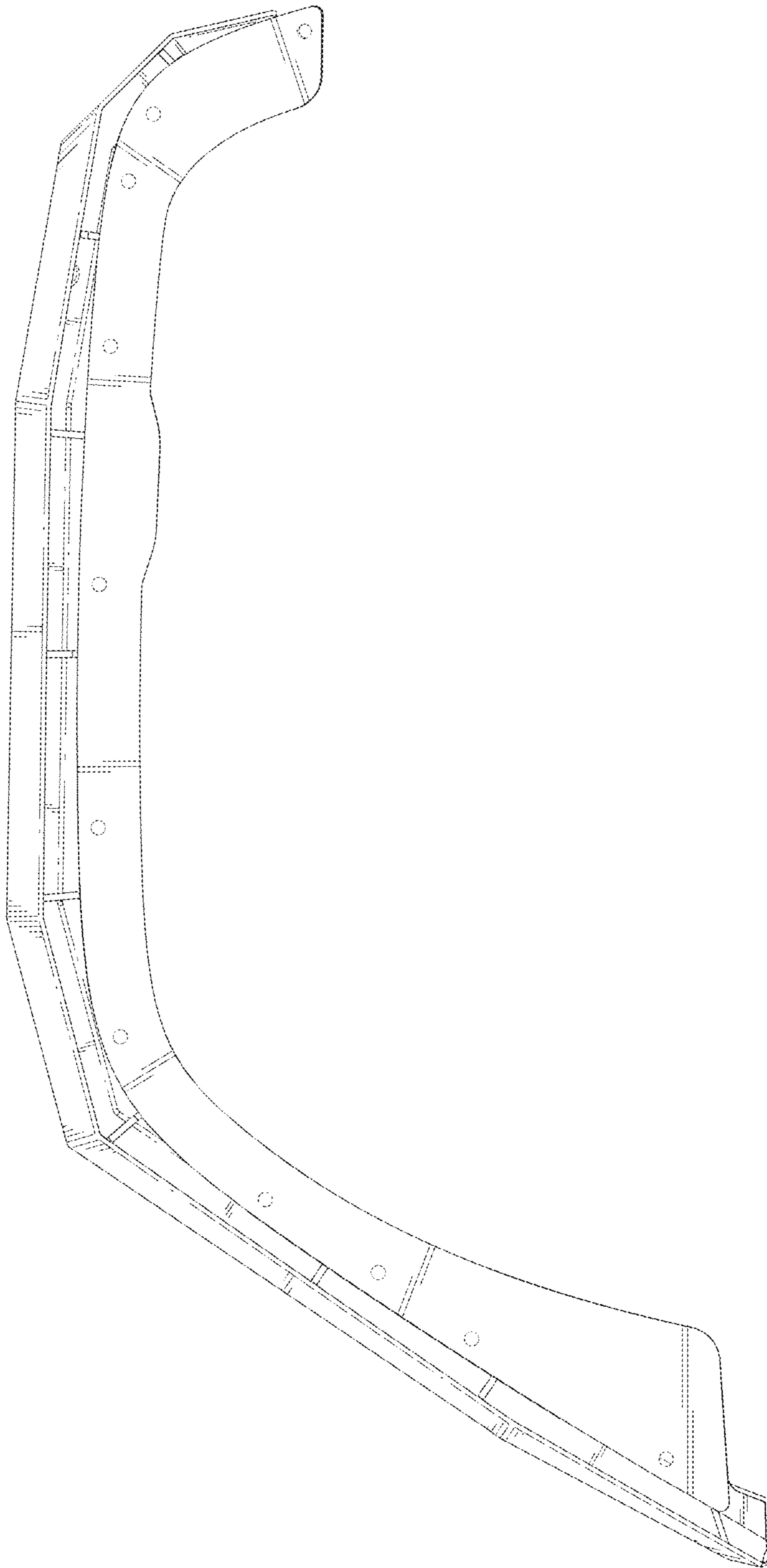


FIG. 4

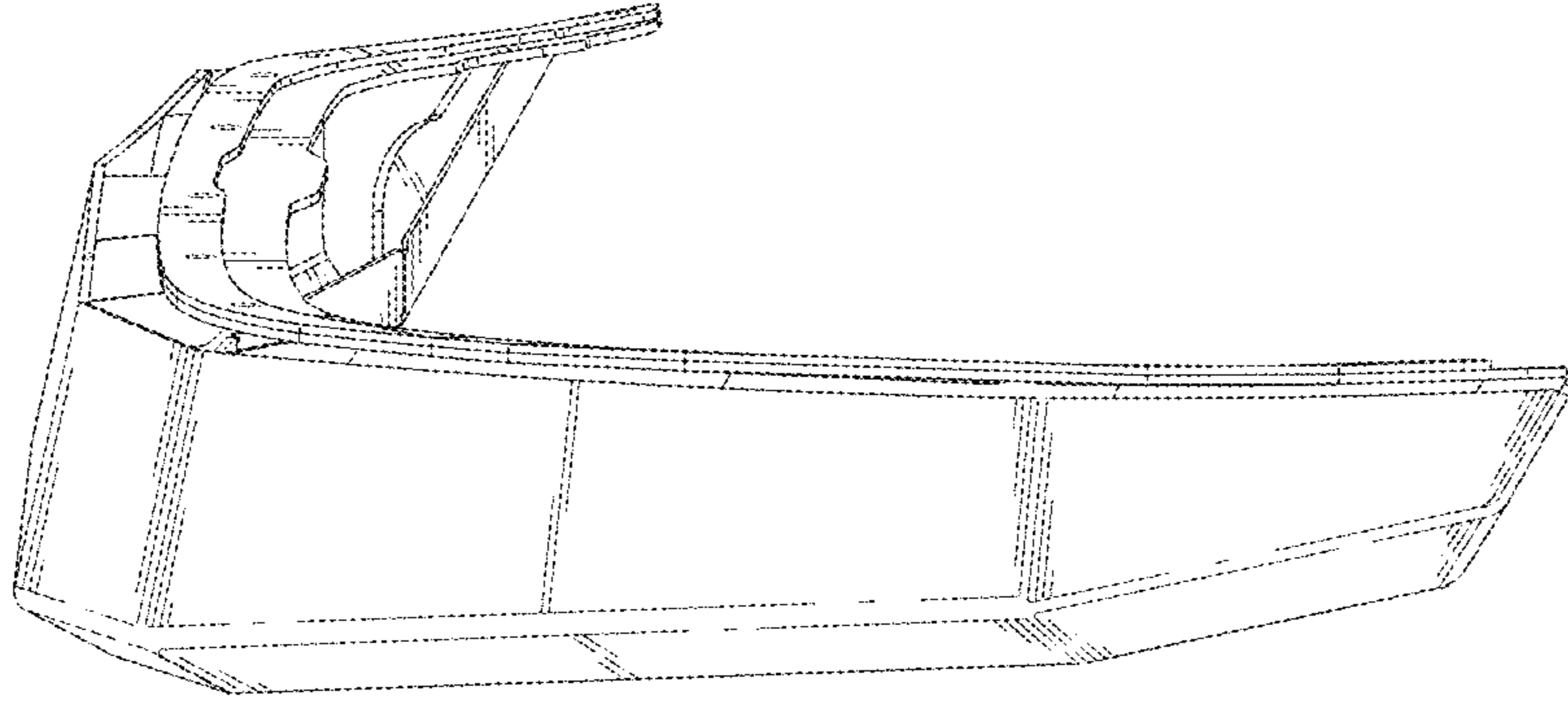


FIG. 6

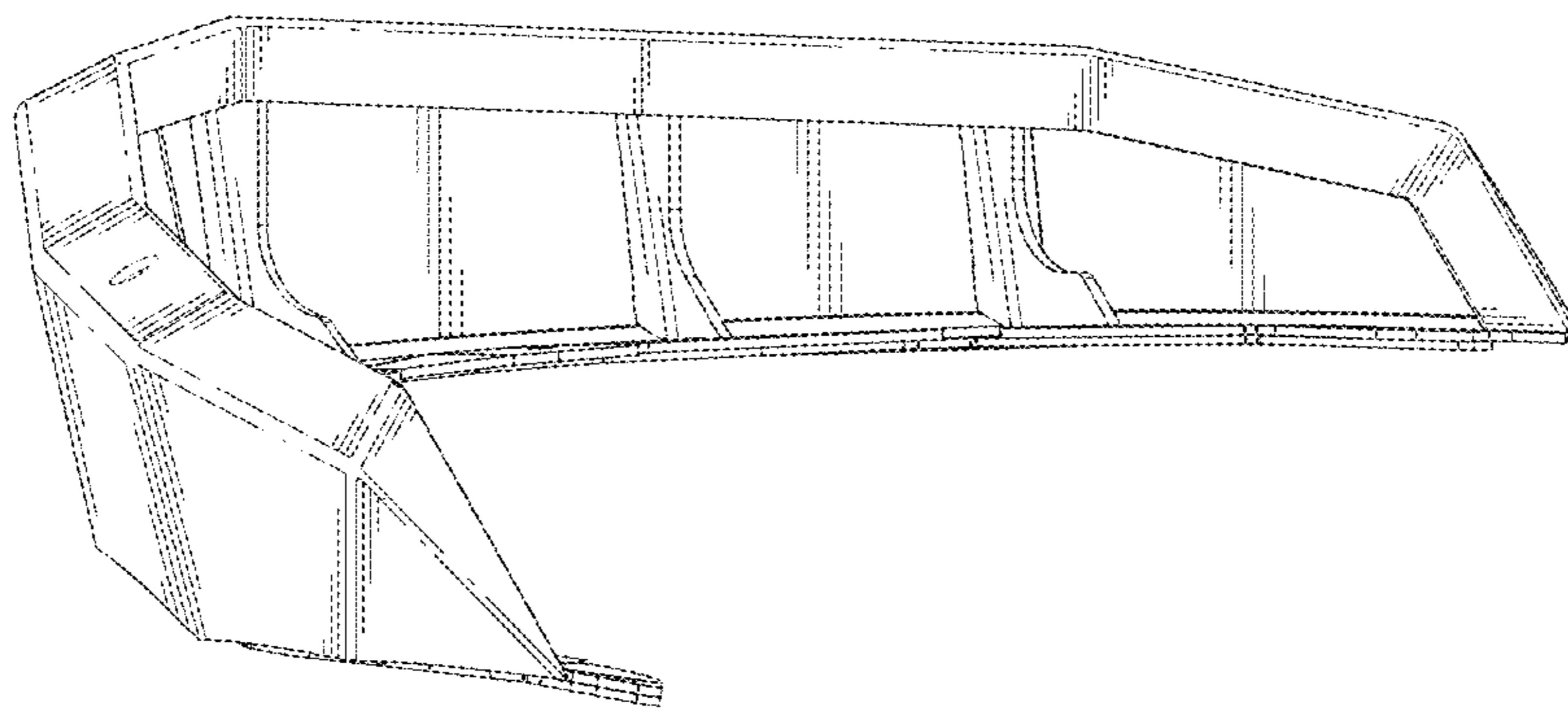


FIG. 5

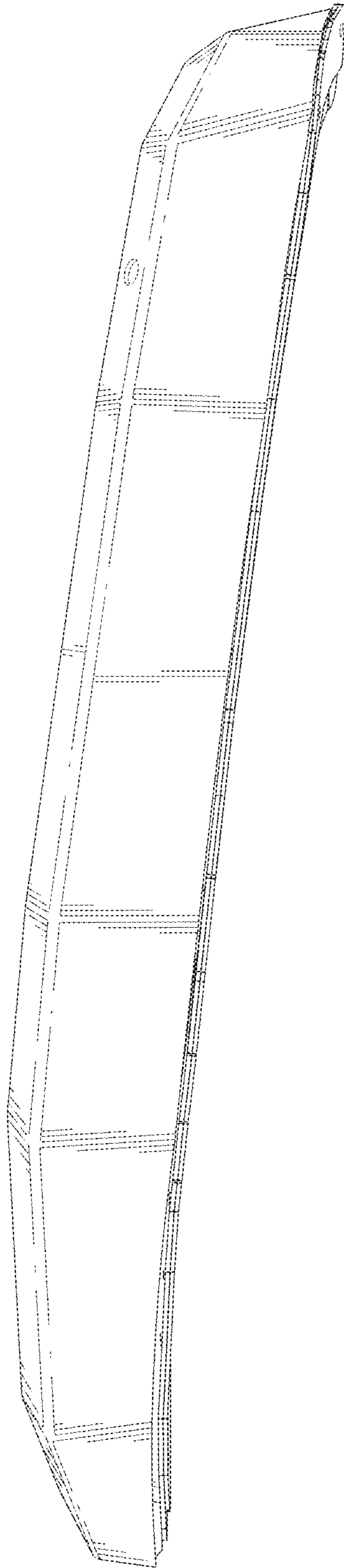


FIG. 7

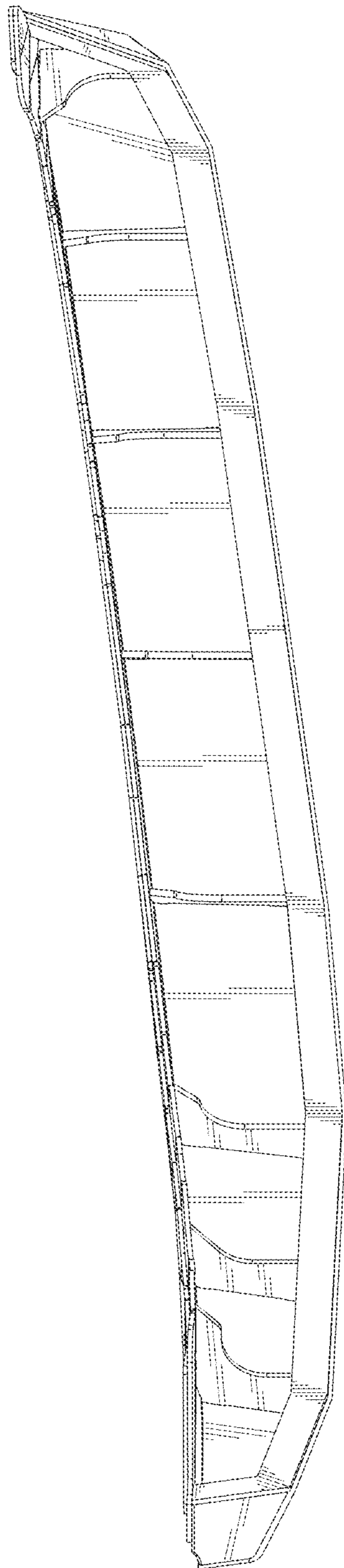


FIG. 8