



US00D960057S

(12) **United States Design Patent Grant** (10) **Patent No.:** **US D960,057 S**
(45) **Date of Patent:** **** Aug. 9, 2022**

- (54) **ELECTRIC WHEELCHAIR**
- (71) Applicant: **Pride Mobility Products Corporation**, Exeter, PA (US)
- (72) Inventor: **Michael A. Grant**, Jermyn, PA (US)
- (73) Assignee: **PRIDE MOBILITY PRODUCTS CORPORATION**, Exeter, PA (US)
- (**) Term: **15 Years**
- (21) Appl. No.: **29/805,581**
- (22) Filed: **Aug. 27, 2021**

- D627,270 S * 11/2010 Kretschmer D12/131
- D643,345 S 8/2011 Barenbrug
- D652,357 S 1/2012 Jurkiewicz et al.
- D653,176 S * 1/2012 Jurkiewicz D12/133
- D656,070 S 3/2012 Spalding et al.
- D720,659 S 1/2015 Tuckowski et al.
- D745,441 S * 12/2015 Ohruh D12/131
- D745,443 S 12/2015 Van Olst et al.
- D746,182 S 12/2015 Santamaria
- D746,724 S 1/2016 Mascull et al.
- D787,382 S 5/2017 Elon et al.
- D801,234 S 10/2017 Elon et al.
- D808,868 S 1/2018 Cheng
- D809,436 S 2/2018 Tang
- D811,279 S 2/2018 McCullough et al.
- D824,292 S 7/2018 Surbeck et al.
- D833,919 S 11/2018 McCollough et al.
- D848,317 S 5/2019 Sugie et al.
- D857,562 S 8/2019 McCollough et al.
- D871,272 S * 12/2019 Cheng D12/131
- D872,658 S * 1/2020 Zhang D12/131

Related U.S. Application Data

- (63) Continuation of application No. 29/744,765, filed on Jul. 31, 2020, now Pat. No. Des. 929,584, which is a continuation of application No. 29/698,780, filed on Jul. 19, 2019, now Pat. No. Des. 891,996, which is a continuation of application No. 29/640,672, filed on Mar. 16, 2018, now Pat. No. Des. 860,068.

- (51) **LOC (13) Cl.** **12-12**
- (52) **U.S. Cl.**
USPC **D12/131**
- (58) **Field of Classification Search**
USPC D12/131
CPC A61G 5/04; A61G 5/041-047; A61G 2005/048
See application file for complete search history.

(56) **References Cited**

U.S. PATENT DOCUMENTS

- D443,563 S * 6/2001 Johnson D12/131
- D572,175 S 7/2008 Lai
- D585,794 S * 2/2009 Lin D12/131
- D600,169 S 9/2009 Chiu
- D621,307 S * 8/2010 Kagi D12/131

Primary Examiner — Charles D Hanson
(74) *Attorney, Agent, or Firm* — Morgan, Lewis & Bockius LLP

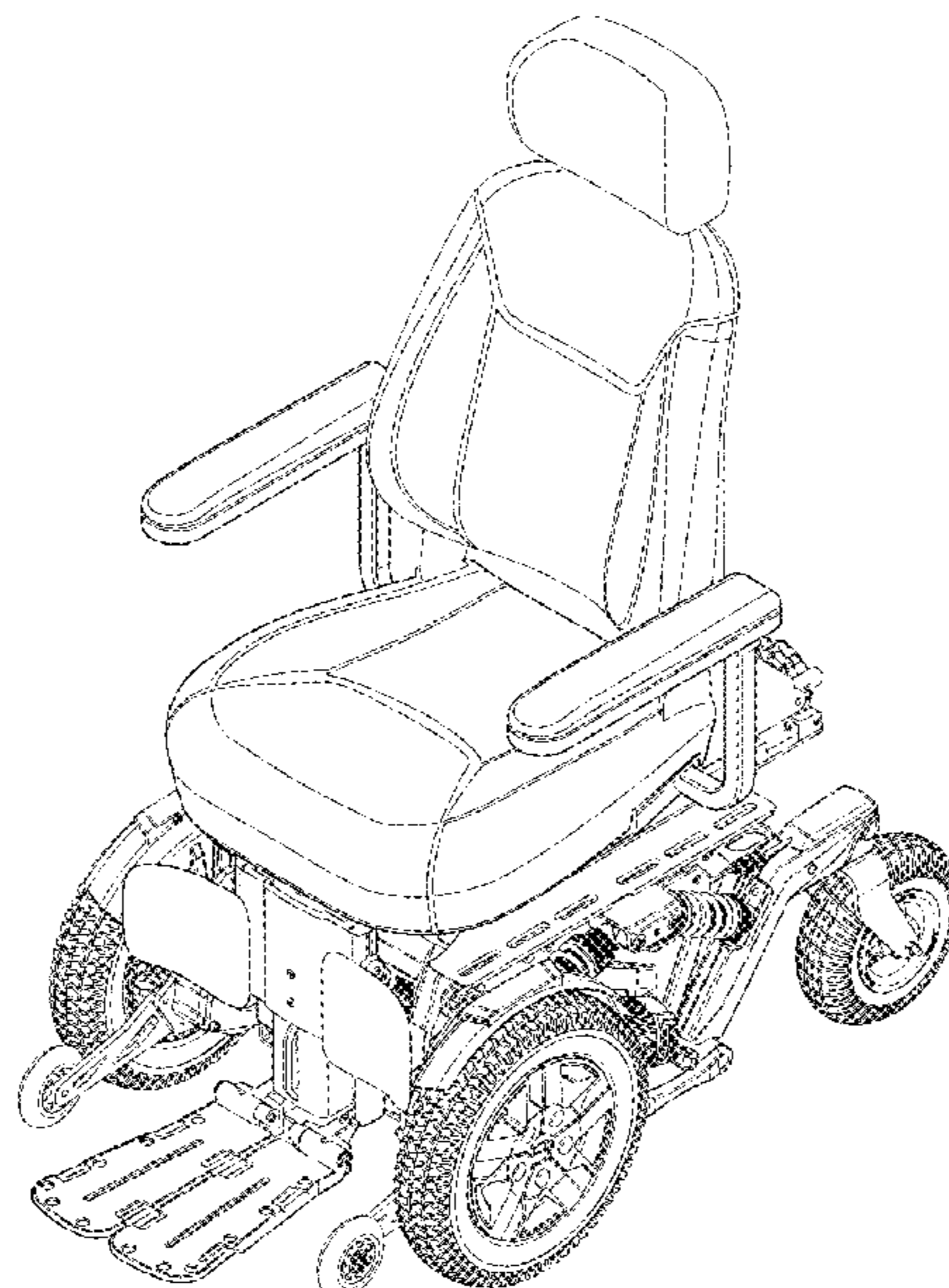
(57) **CLAIM**

The ornamental design for an electric wheelchair, as shown and described.

DESCRIPTION

FIG. 1 is a front perspective view of an electric wheelchair showing my new design;
FIG. 2 is a rear perspective view thereof;
FIG. 3 is a front elevational view thereof;
FIG. 4 is a rear elevational view thereof;
FIG. 5 is a left-side elevational view thereof;
FIG. 6 is a right-side elevational view thereof;
FIG. 7 is a top plan view thereof; and,
FIG. 8 is a bottom plan view thereof.

1 Claim, 8 Drawing Sheets



(56)

References Cited

U.S. PATENT DOCUMENTS

D905,600 S * 12/2020 Codet D12/131
D926,087 S * 7/2021 Tsukamoto D12/131

* cited by examiner

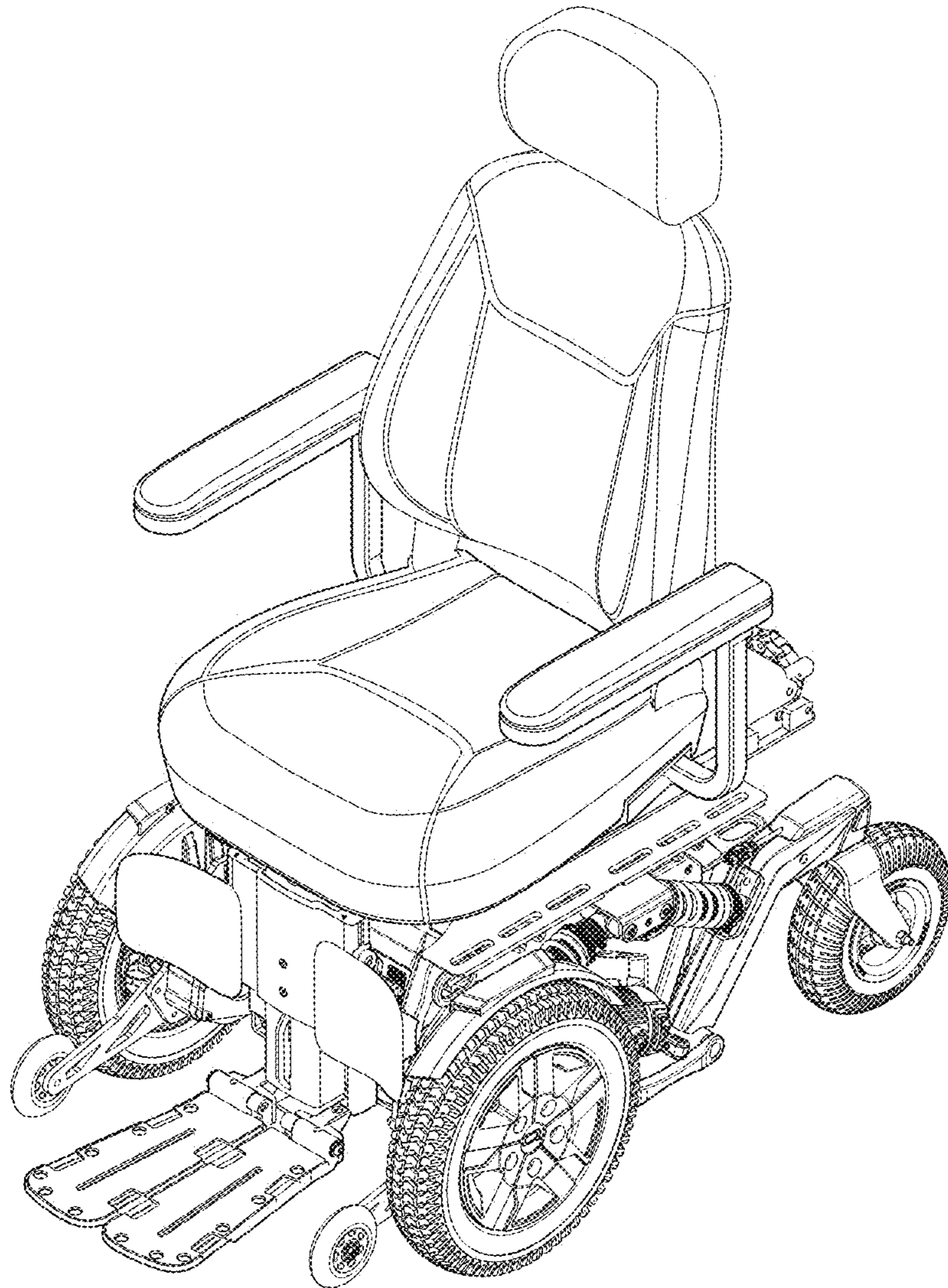


FIG. 1

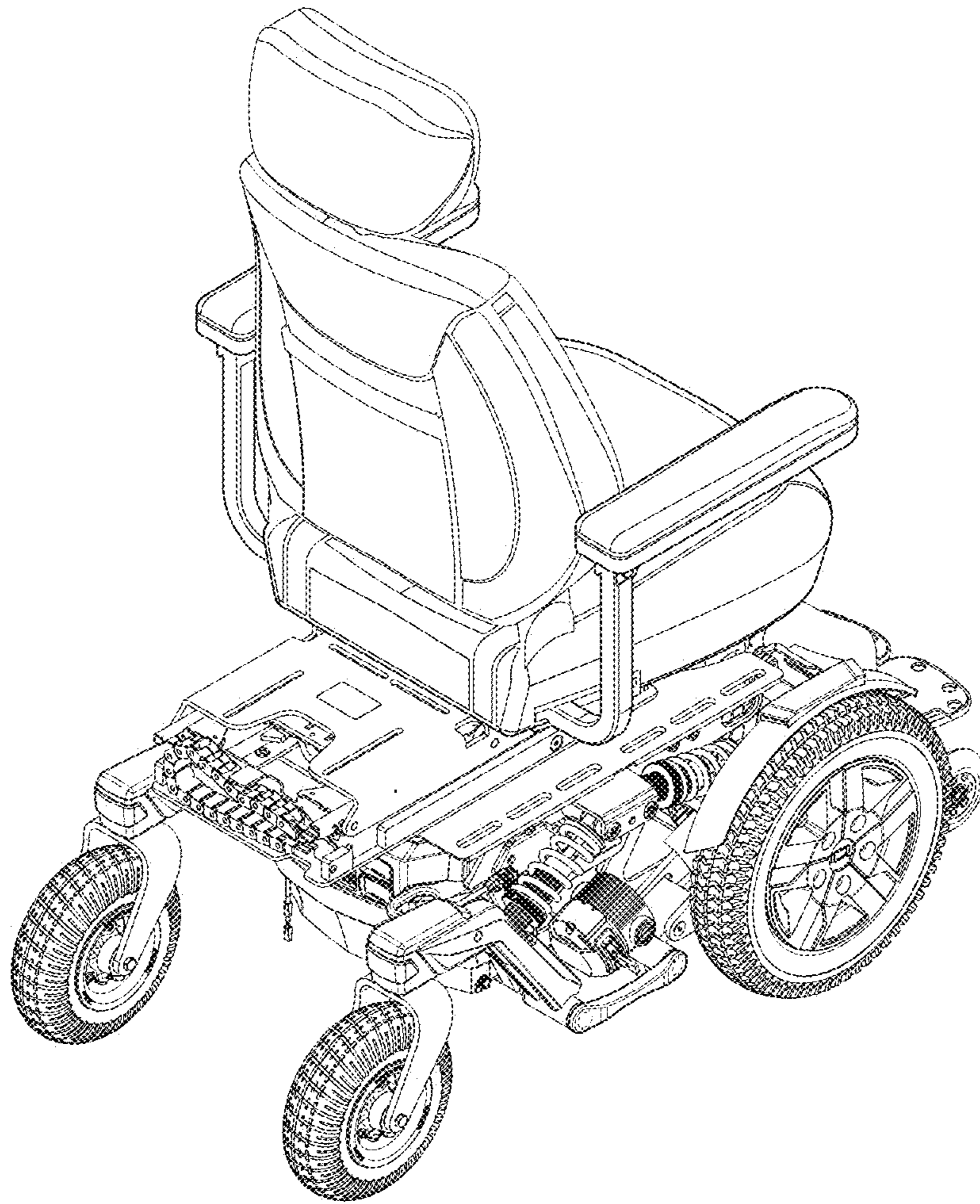


FIG. 2

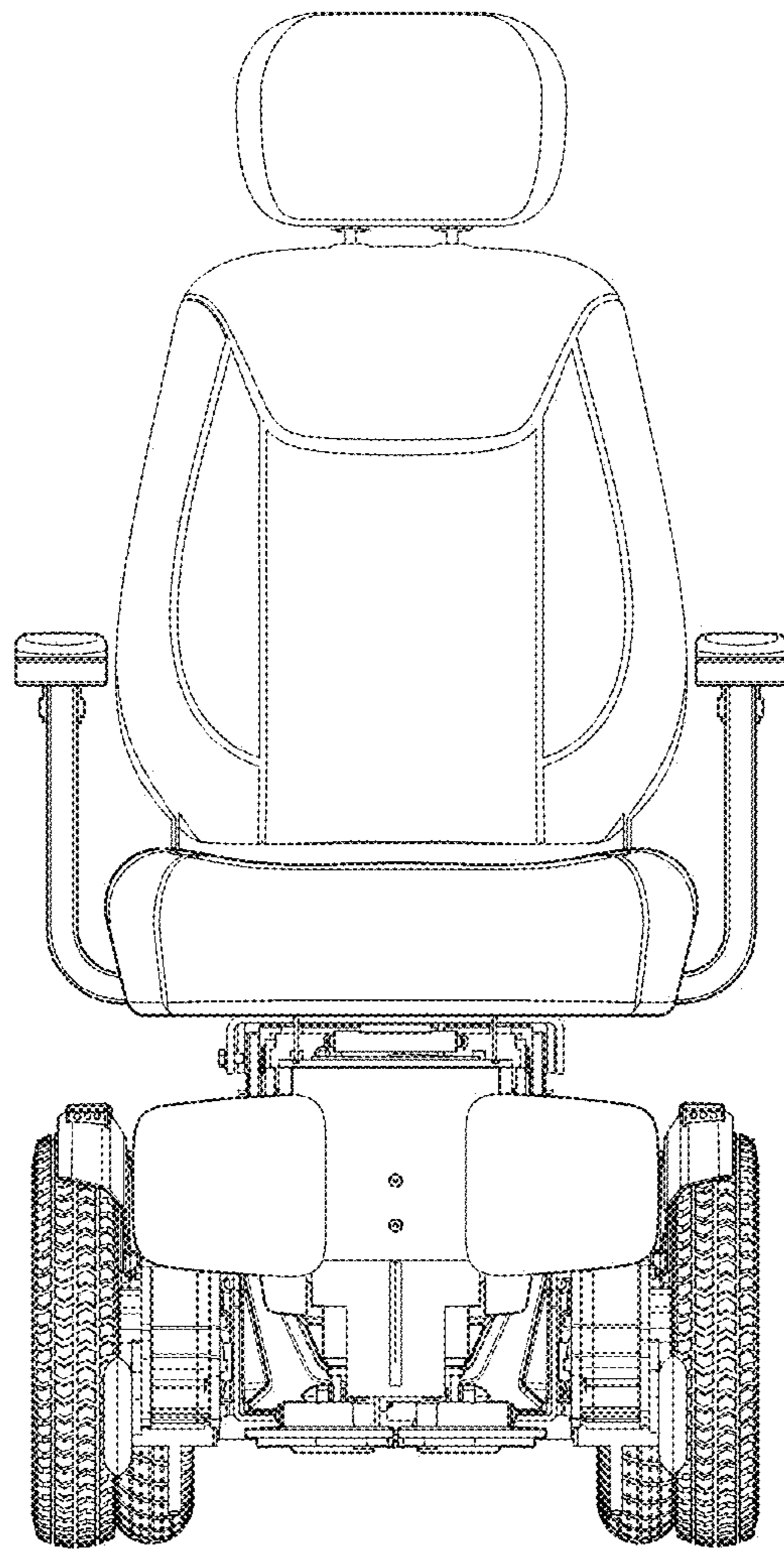


FIG. 3

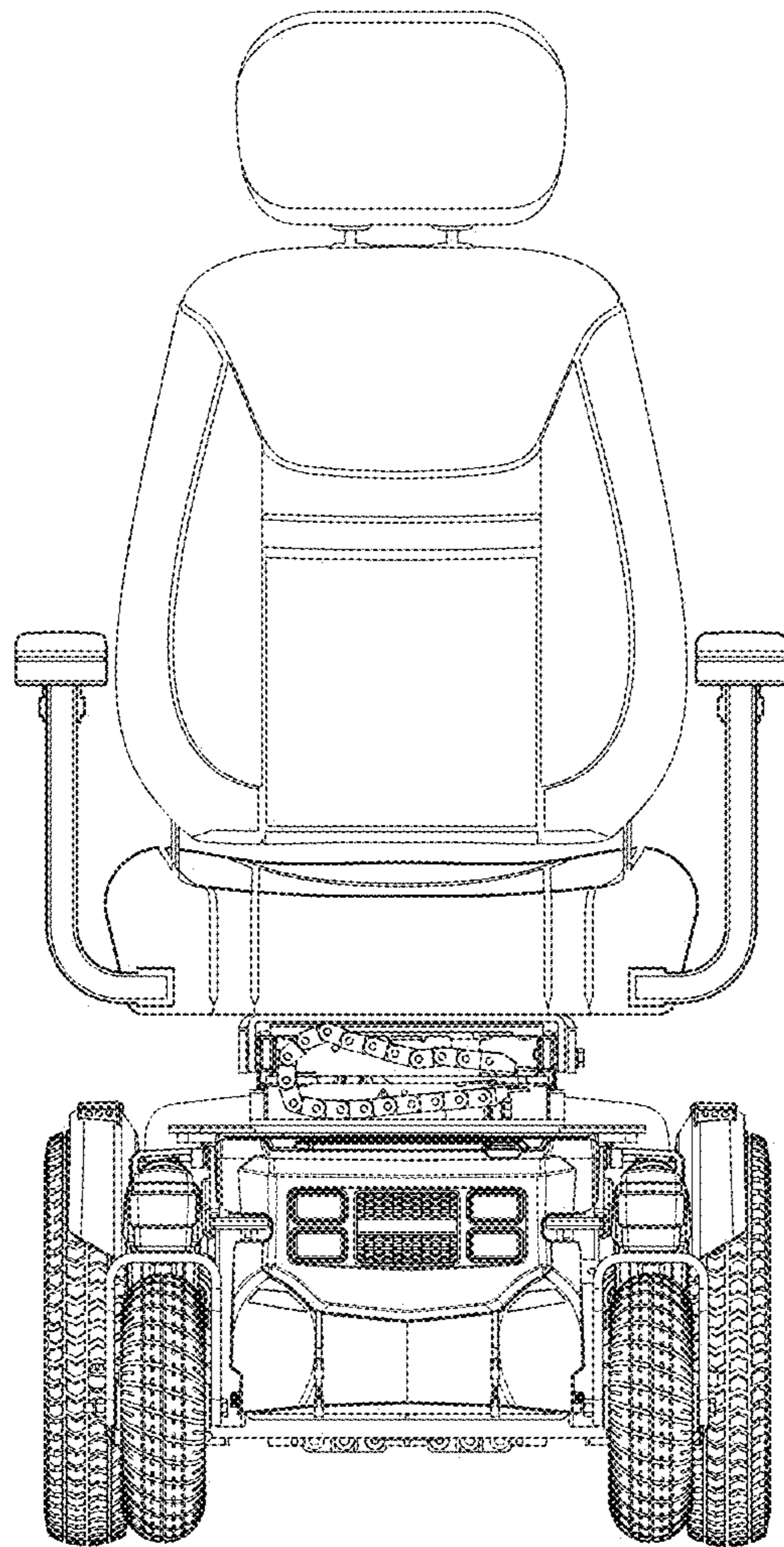


FIG. 4

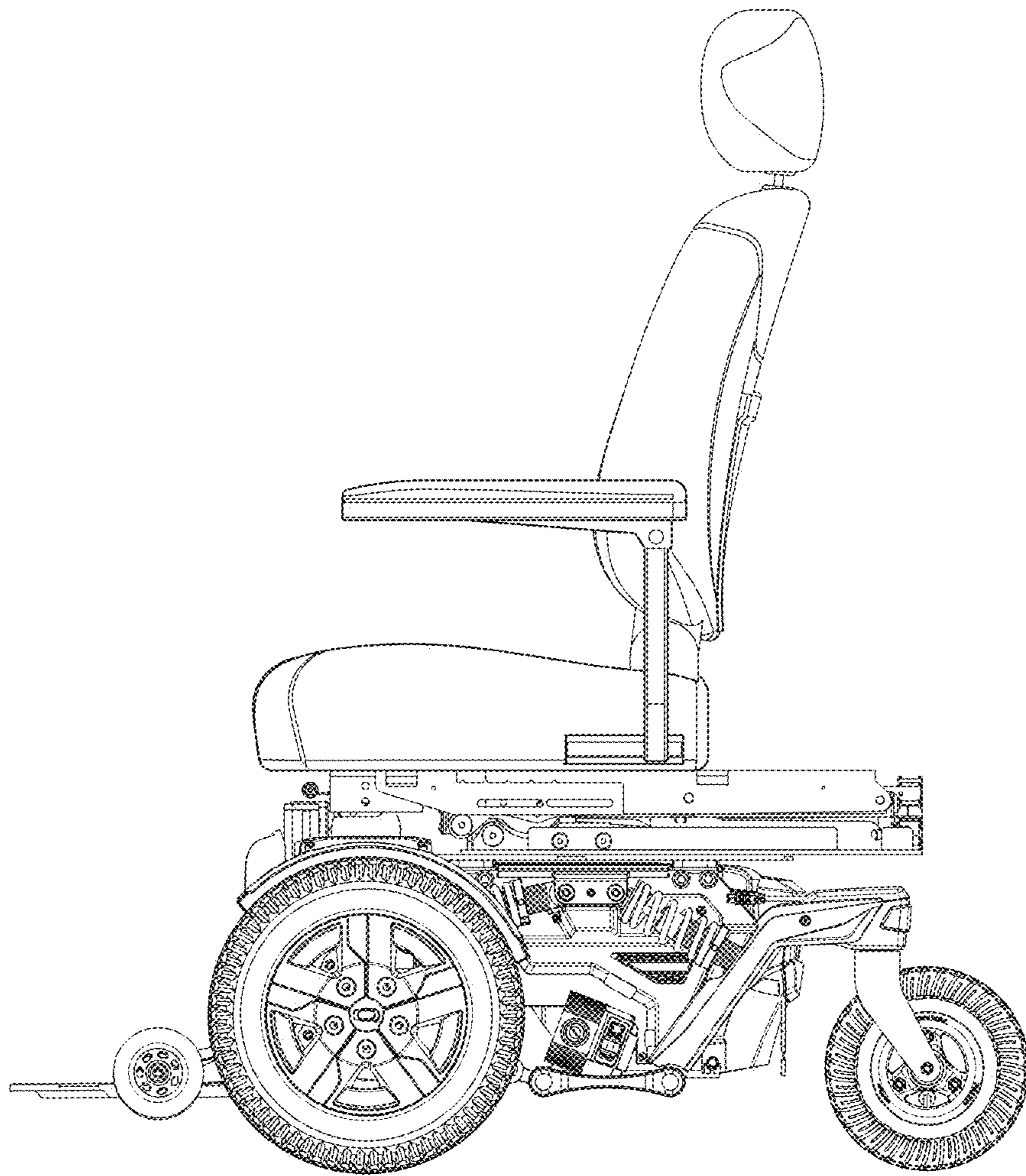


FIG. 5

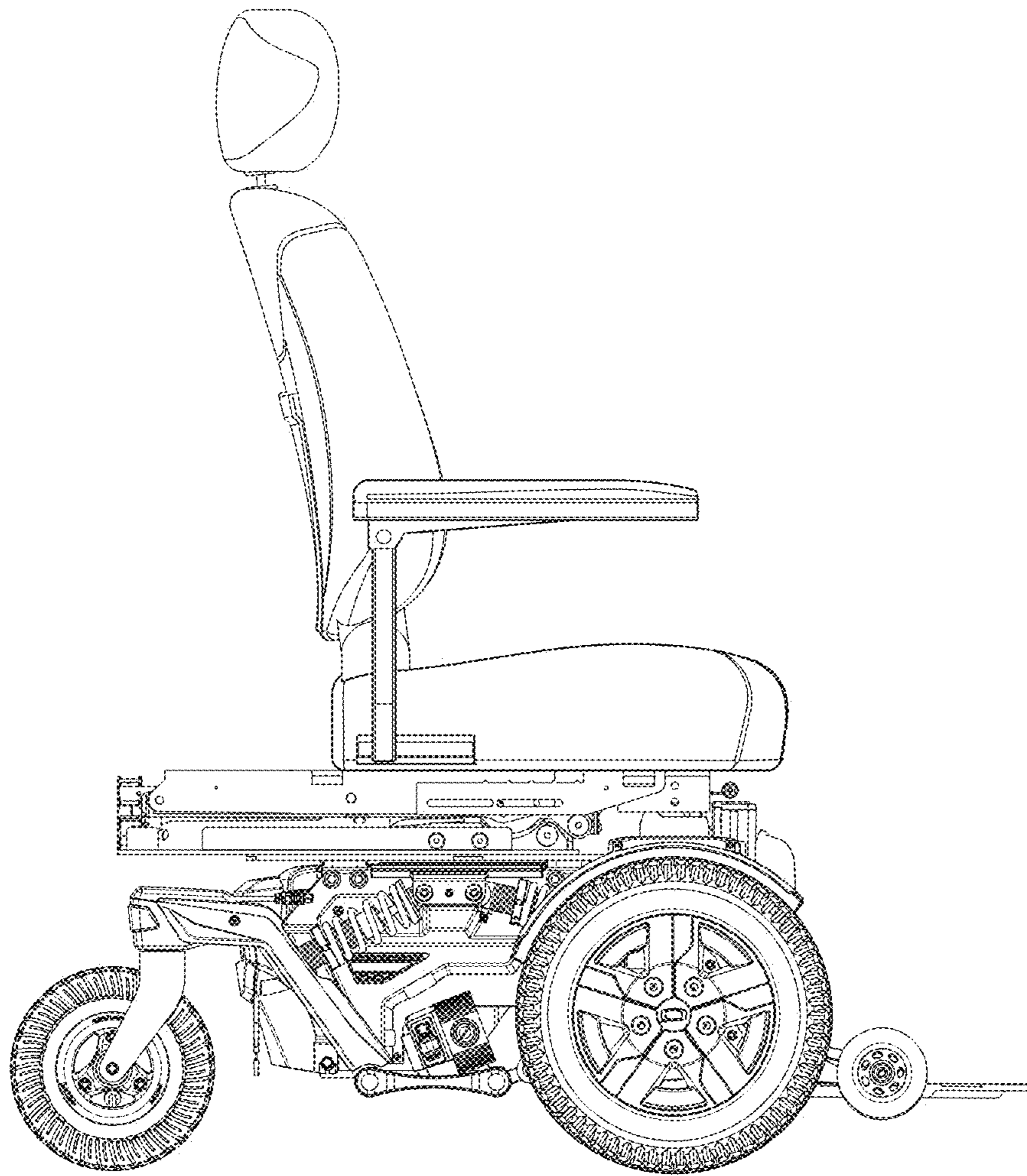


FIG. 6

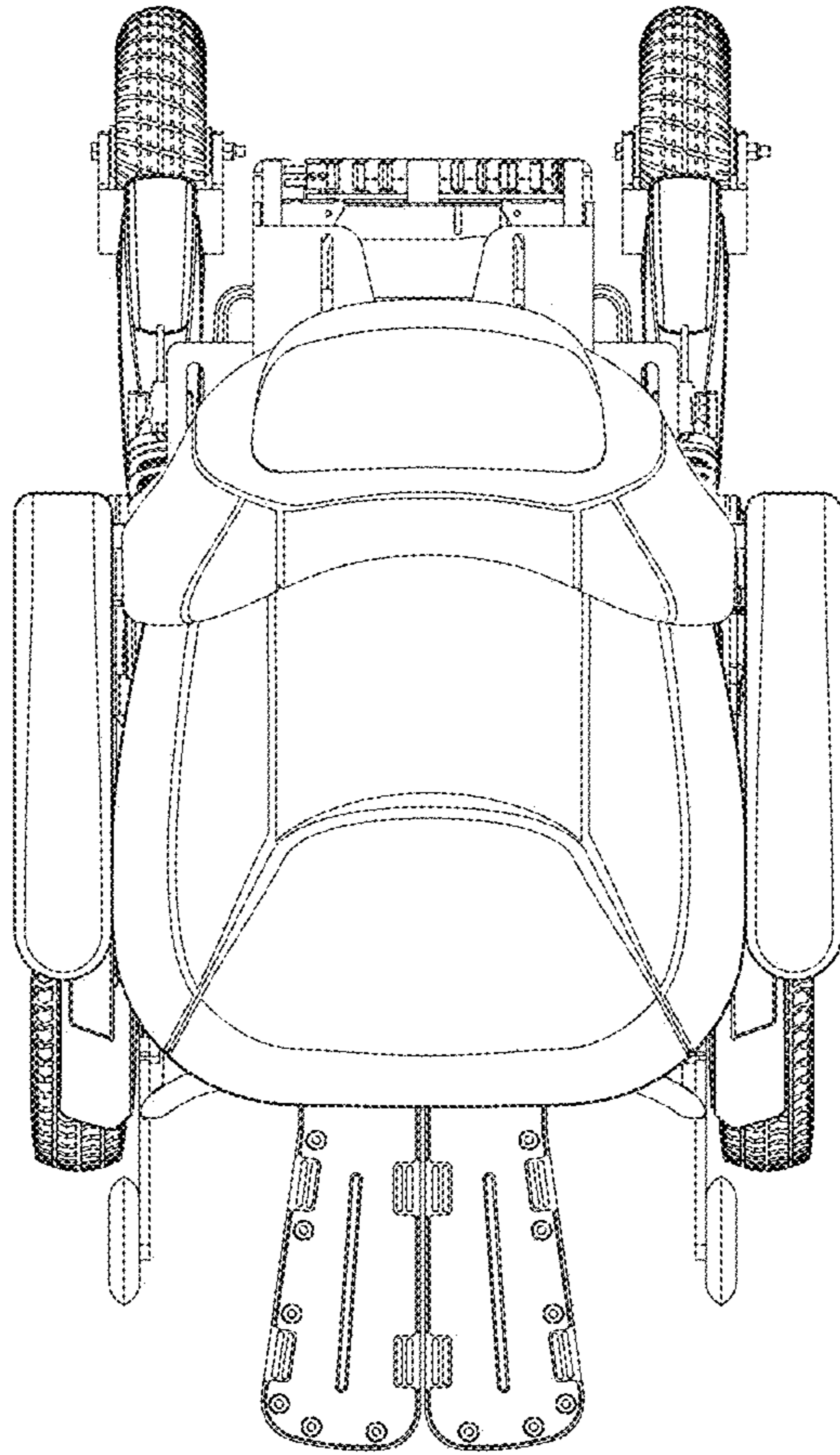


FIG. 7

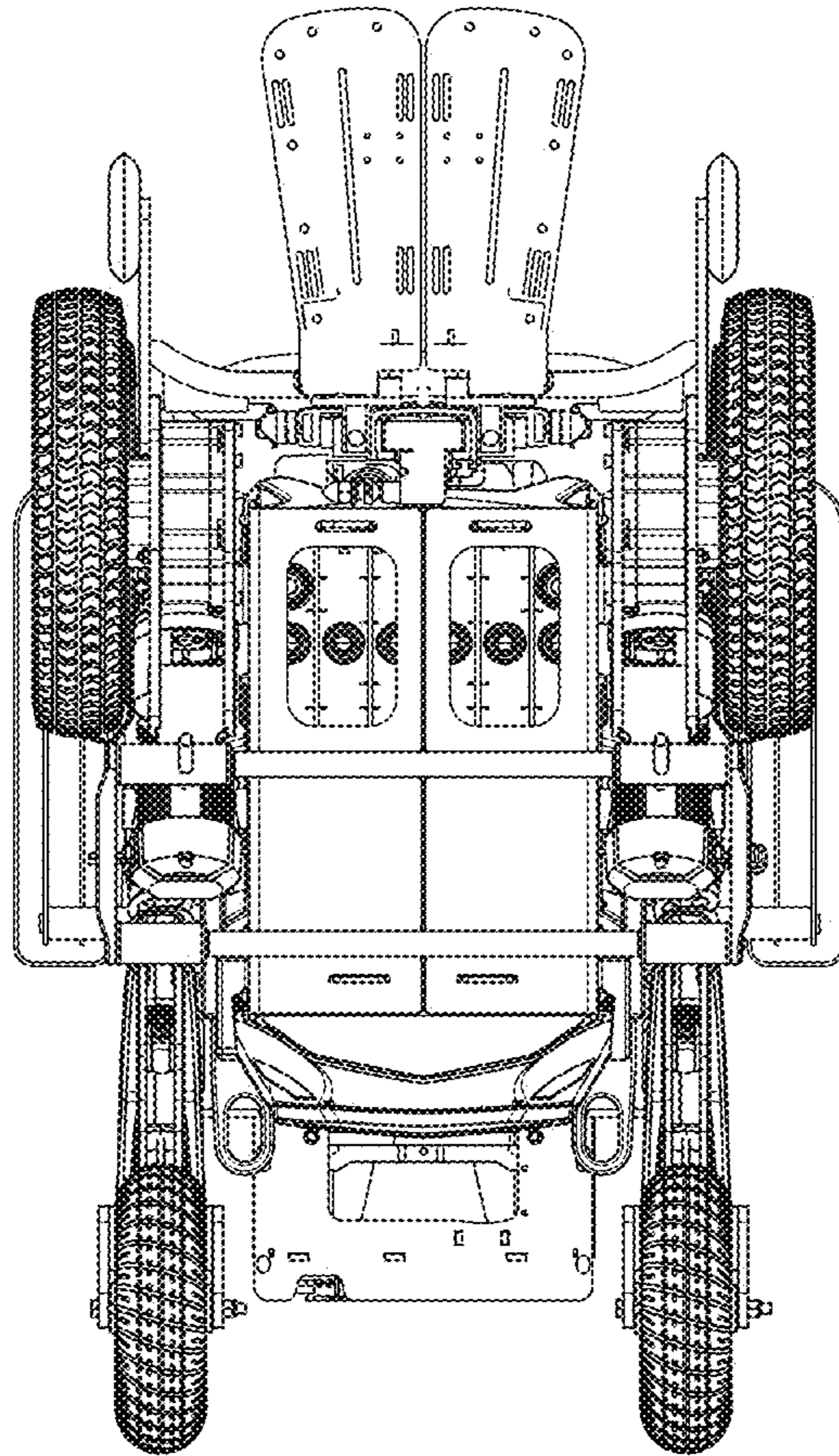


FIG. 8