



US00D960055S

(12) **United States Design Patent**
Fang

(10) **Patent No.:** **US D960,055 S**

(45) **Date of Patent:** **** Aug. 9, 2022**

- (54) **PHONE HOLDER FOR BIKE**
- (71) Applicant: **Wanying Fang**, Dongguan (CN)
- (72) Inventor: **Wanying Fang**, Dongguan (CN)
- (**) Term: **15 Years**
- (21) Appl. No.: **29/812,936**
- (22) Filed: **Oct. 26, 2021**
- (51) **LOC (13) Cl.** **12-11**
- (52) **U.S. Cl.**
USPC **D12/114**
- (58) **Field of Classification Search**
USPC D12/114, 415, 407, 406, 223; D14/432,
D14/447, 251-253
CPC B62J 11/00; B60R 11/00; B60R 11/02;
B60R 11/0241; B60R 11/0252; H04M
1/04; F16M 11/04; F16M 11/041; F16M
11/06; F16M 13/00
See application file for complete search history.

D836,646 S *	12/2018	Brownlow	D14/453
D838,214 S *	1/2019	Jang	D12/114
D840,388 S *	2/2019	Wieth	D14/251
D860,870 S *	9/2019	Zhou	D12/114
D860,915 S	9/2019	Tang		
D861,541 S *	10/2019	Yan	D12/114
D861,670 S *	10/2019	Li	D14/447
D894,168 S	8/2020	Lou		
D897,332 S *	9/2020	Zhang	D3/218
D903,652 S *	12/2020	Qiu	D14/253
D909,393 S *	2/2021	Benett	D14/447
D915,389 S *	4/2021	Lin	D14/253
D928,041 S	8/2021	Jones		
D931,270 S *	9/2021	Qiu	D14/253

* cited by examiner

Primary Examiner — Michelle E. Wilson

Assistant Examiner — Clese Moore, Jr.

(74) *Attorney, Agent, or Firm* — Wen IP LLC; Zhihua Han

(57) **CLAIM**

The ornamental design for a phone holder for bike, as shown and described.

DESCRIPTION

FIG. 1 is a front, top, and left side perspective view of a phone holder for bike, showing my new design;
 FIG. 2 is a left side elevation view thereof;
 FIG. 3 is a right side elevation view thereof;
 FIG. 4 is a top plan view thereof;
 FIG. 5 is a bottom plan view thereof;
 FIG. 6 is a front elevation view thereof;
 FIG. 7 is a rear elevation view thereof;
 FIG. 8 is a rear, top and right side perspective view thereof;
 and,
 FIG. 9 is a rear, bottom and left side perspective view thereof.

1 Claim, 9 Drawing Sheets

(56) **References Cited**

U.S. PATENT DOCUMENTS

D368,098 S *	3/1996	Su	D14/149
D370,193 S *	5/1996	Shull	D12/114
D411,543 S *	6/1999	Richter	D14/253
D456,024 S *	4/2002	Richter	D14/434
D529,905 S *	10/2006	Richter	D14/447
D606,065 S *	12/2009	Rihu	D14/253
D652,779 S *	1/2012	Richter	D12/407
D653,190 S *	1/2012	Richter	D12/407
D685,687 S *	7/2013	Richter	D12/114
D707,672 S *	6/2014	Lai	D14/253
D748,087 S *	1/2016	Lee	D14/251
D767,557 S *	9/2016	Lee	D14/253
D772,218 S *	11/2016	Alesi	D14/253
D790,528 S *	6/2017	Lindloff	D14/253
D804,487 S *	12/2017	Theis	D14/447

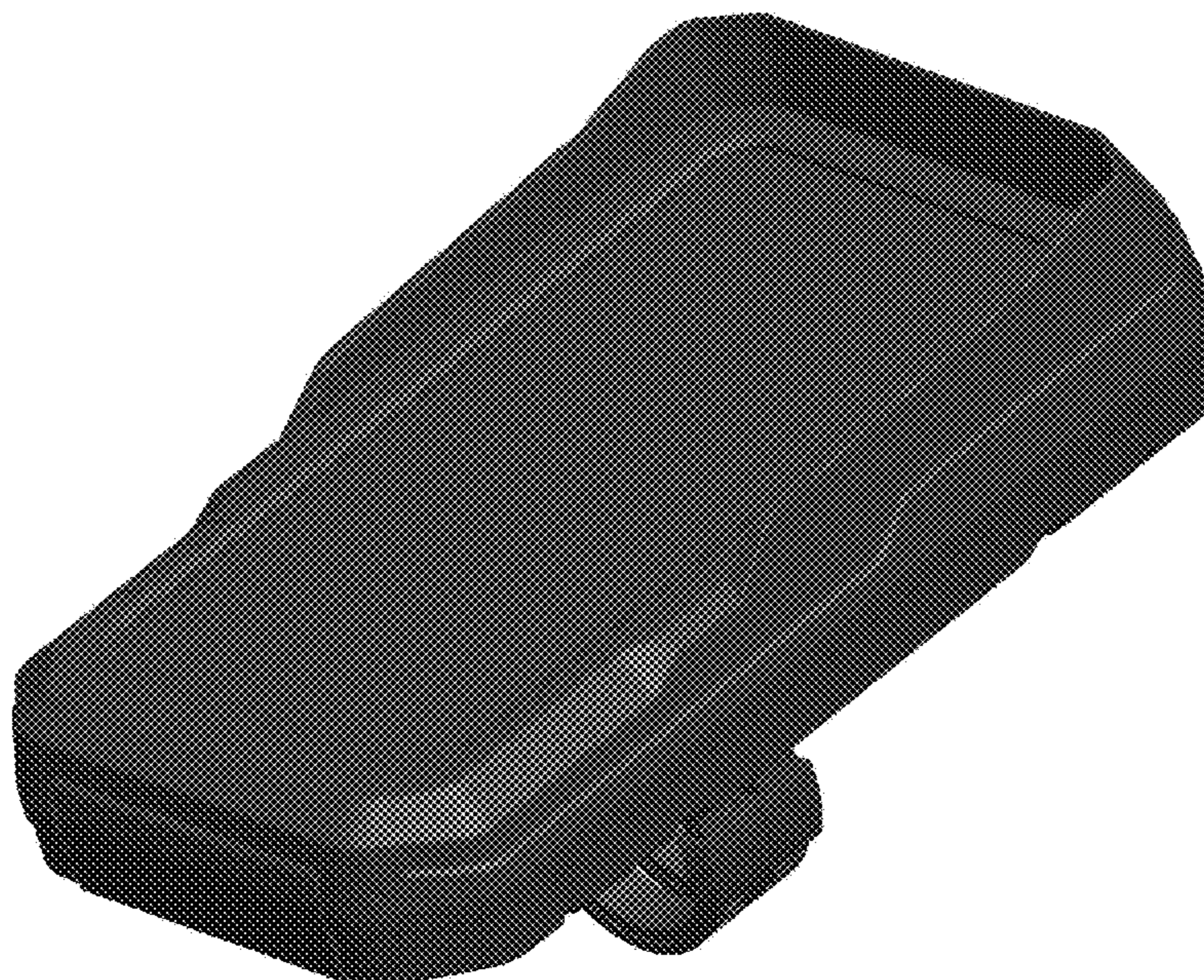




FIG. 1

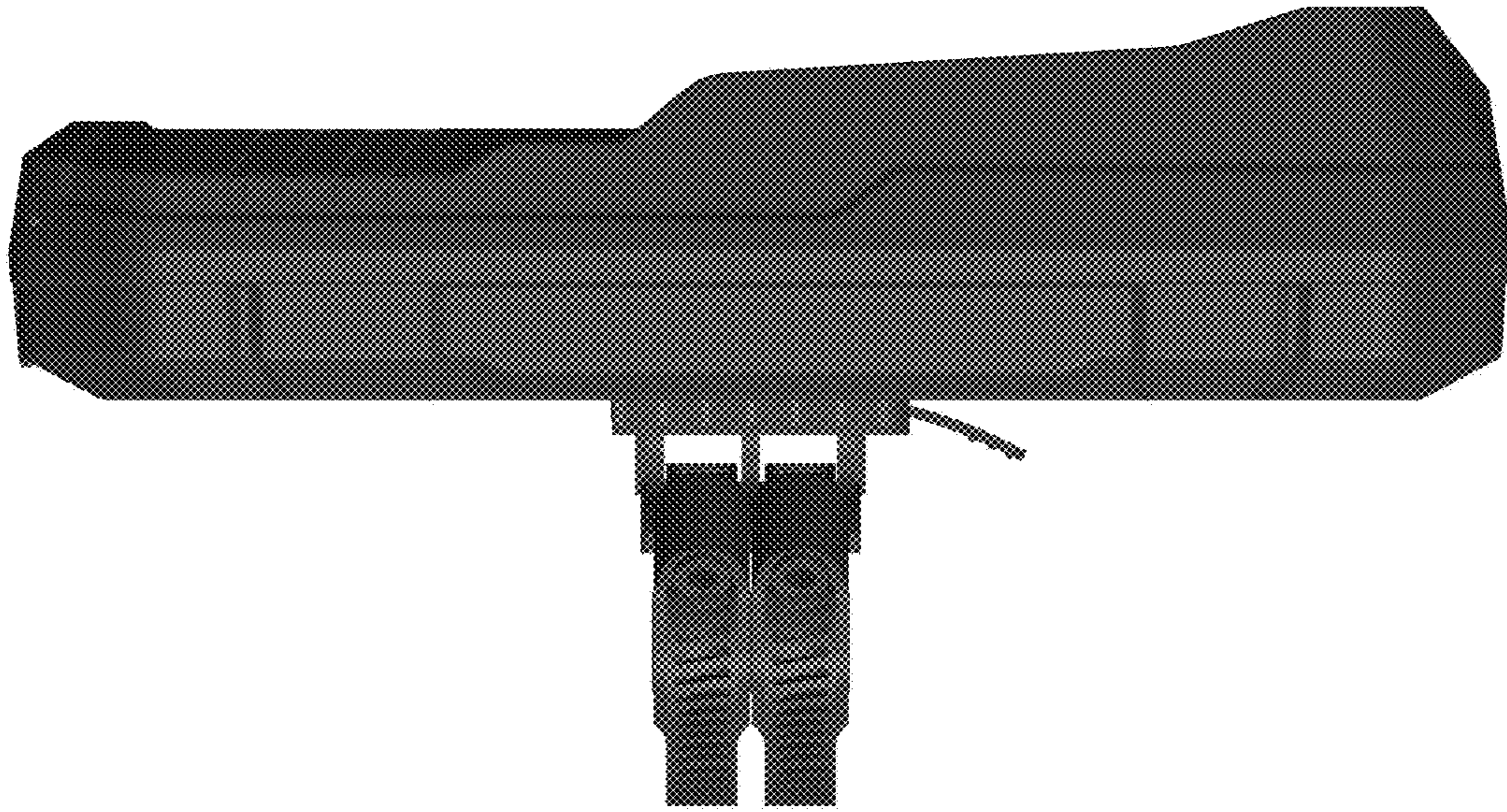


FIG. 2

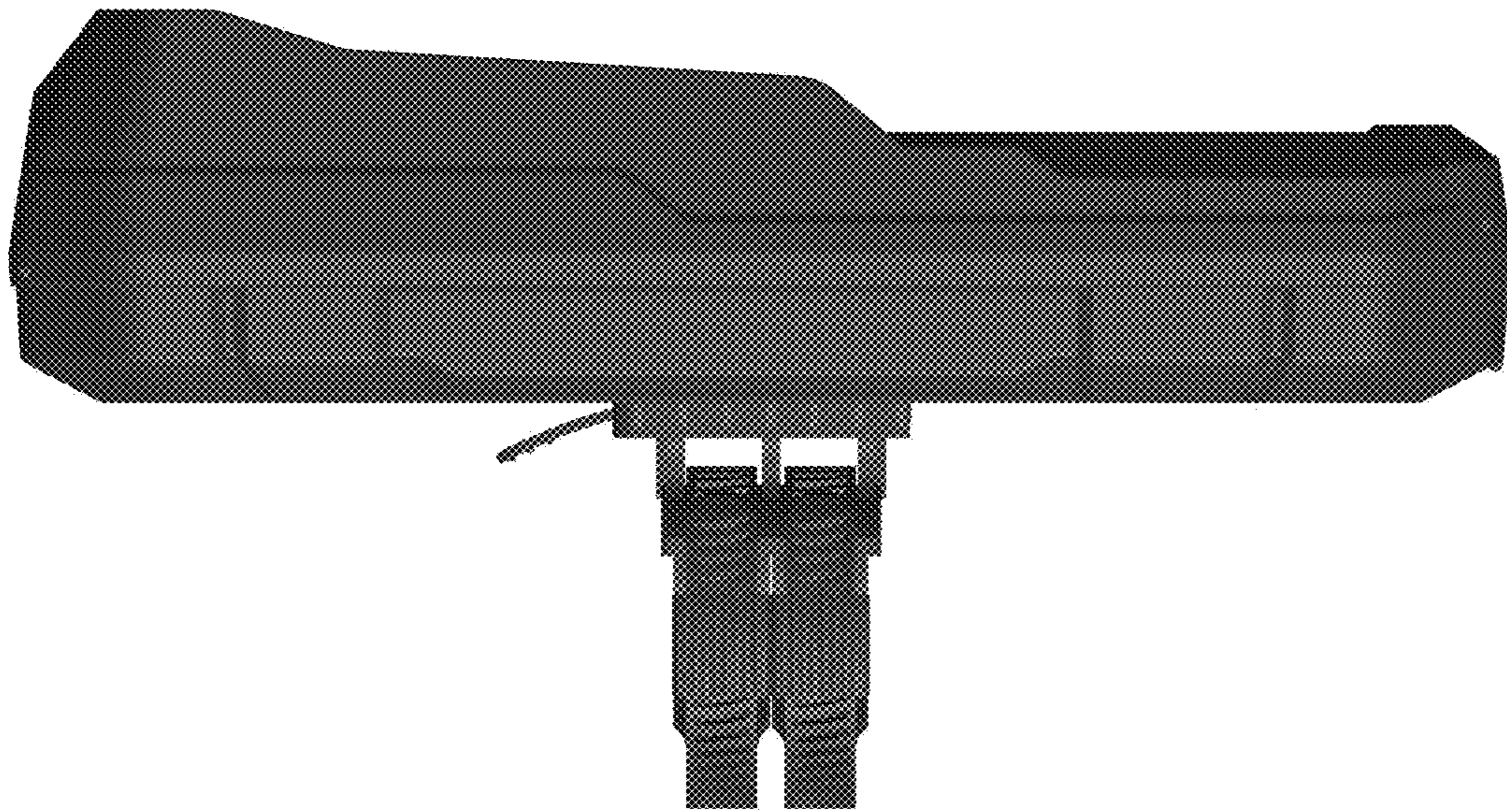


FIG. 3



FIG. 4



FIG. 5

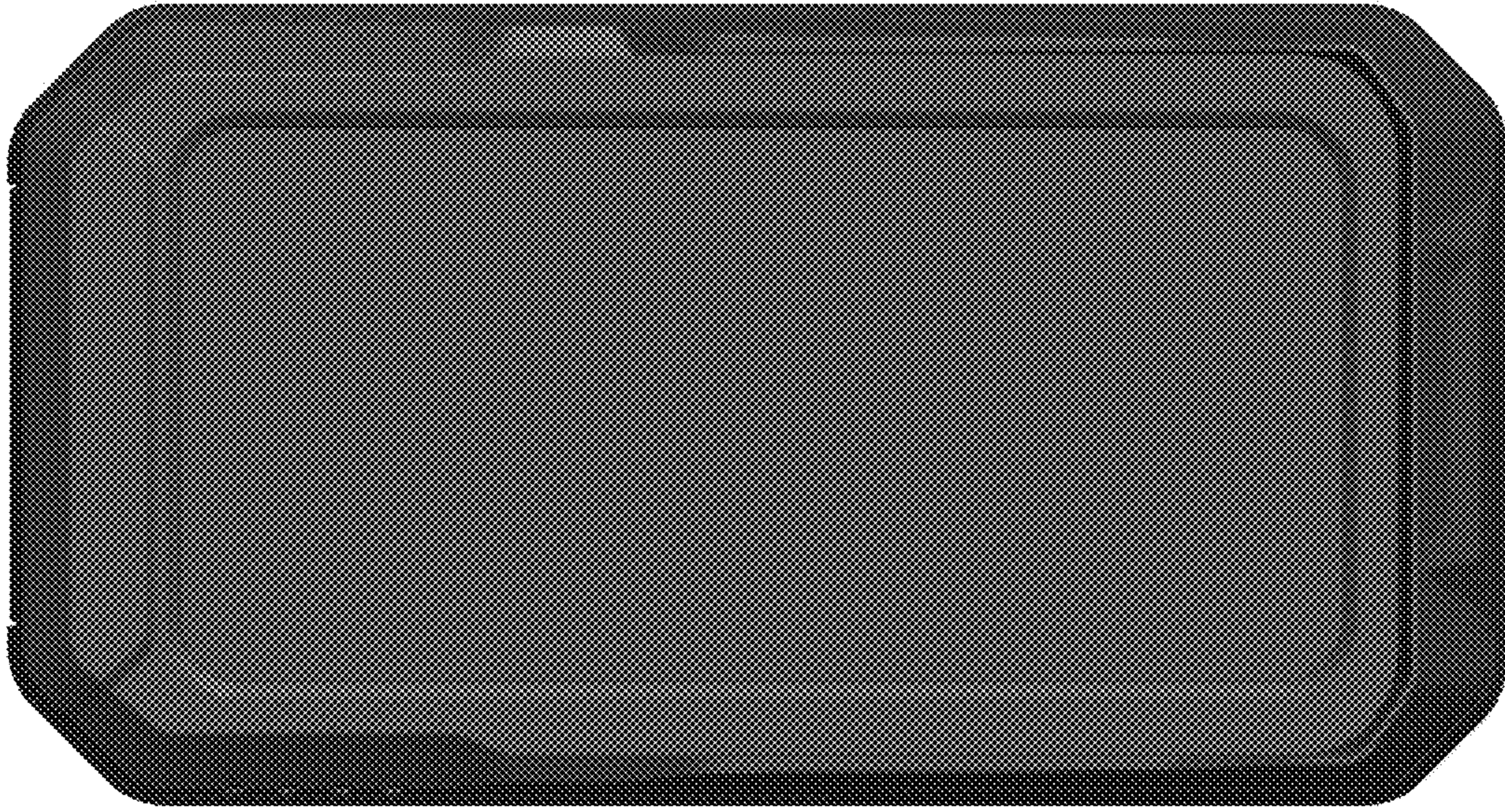


FIG. 6

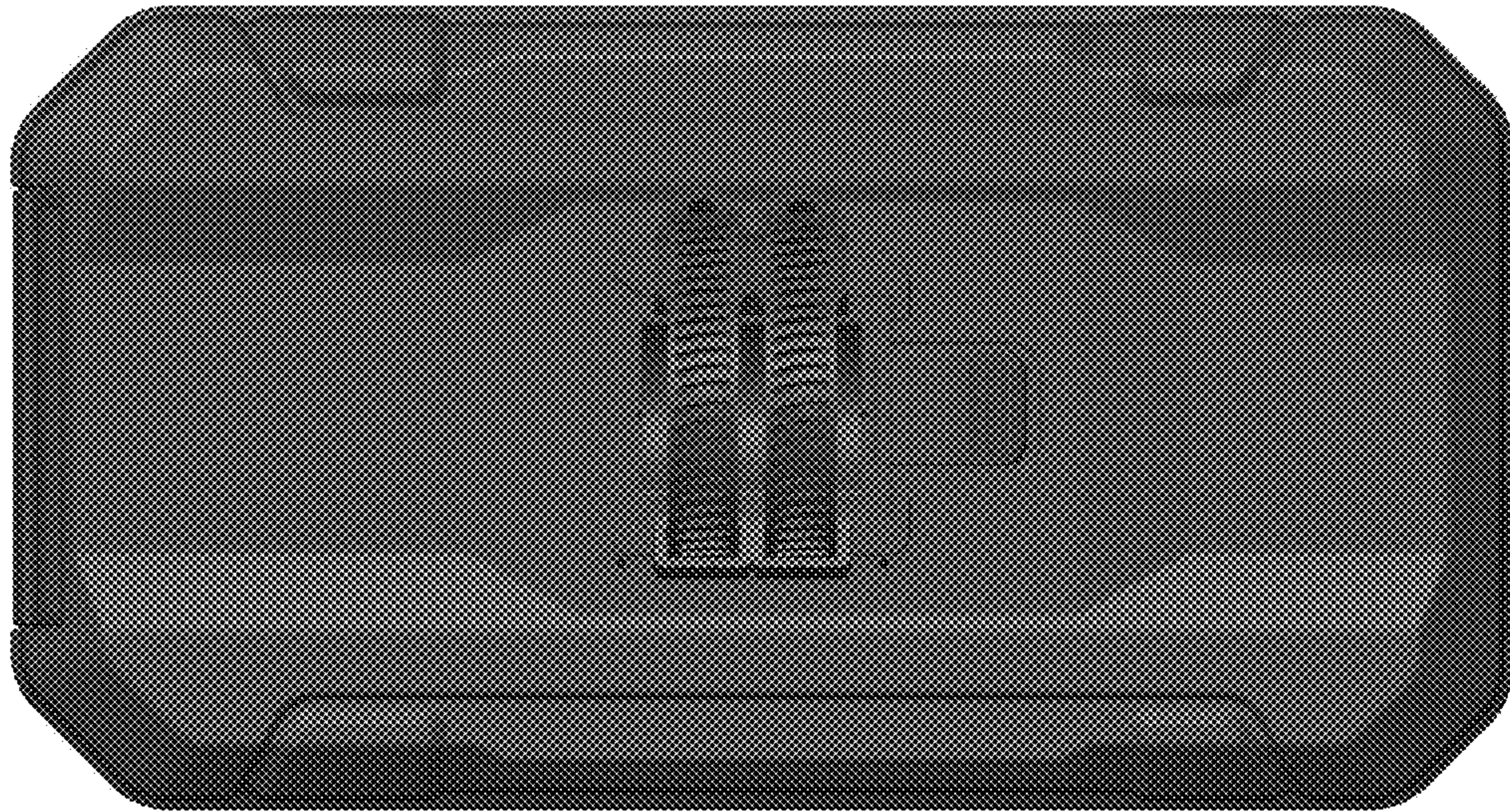


FIG. 7



FIG. 8



FIG. 9