

US00D960054S

(12) **United States Design Patent**
Yang

(10) **Patent No.:** **US D960,054 S**

(45) **Date of Patent:** **** Aug. 9, 2022**

(54) **ELECTRIC BICYCLE**

(71) Applicant: **Le Yang**, Changde (CN)

(72) Inventor: **Le Yang**, Changde (CN)

(**) Term: **15 Years**

(21) Appl. No.: **29/804,054**

(22) Filed: **Aug. 18, 2021**

(51) **LOC (13) Cl.** **12-11**

(52) **U.S. Cl.**
USPC **D12/111**

(58) **Field of Classification Search**
USPC D12/111, 117; D21/412, 414, 419,
D21/423-428, 431-435
CPC B62K 3/00; B62K 3/02; B62K 3/06
See application file for complete search history.

(56) **References Cited**

U.S. PATENT DOCUMENTS

| | | | | | |
|-----------|------|---------|-----------|-------|-------------|
| 4,634,138 | A * | 1/1987 | Fryer | | B62K 15/008 |
| | | | | | 280/278 |
| 5,836,602 | A * | 11/1998 | Wang | | B62K 15/008 |
| | | | | | 280/278 |
| 6,267,401 | B1 * | 7/2001 | De Jong | | B62K 15/008 |
| | | | | | 280/287 |
| D487,234 | S * | 3/2004 | Chen | | D12/111 |
| 7,055,842 | B1 * | 6/2006 | Lin | | B62K 15/008 |
| | | | | | 292/164 |
| 7,156,409 | B2 * | 1/2007 | Chuang | | B62K 15/006 |
| | | | | | 280/281.1 |
| D617,687 | S * | 6/2010 | Brady | | D12/111 |
| D654,403 | S * | 2/2012 | Kyu | | D12/111 |
| D756,264 | S * | 5/2016 | Thompson | | D12/111 |
| D807,232 | S * | 1/2018 | Bailie | | D21/432 |
| D807,233 | S * | 1/2018 | Zhang | | D12/111 |
| D814,361 | S * | 4/2018 | Shi | | D12/111 |
| D900,680 | S * | 11/2020 | Chen | | D12/111 |
| D903,532 | S | 12/2020 | Ma et al. | | |
| D910,496 | S | 2/2021 | Zhu | | |

| | | | | | |
|----------|-----|---------|-------|-------|---------|
| D914,548 | S * | 3/2021 | Chen | | D12/111 |
| D914,549 | S * | 3/2021 | Chen | | D12/111 |
| D925,404 | S * | 7/2021 | Lin | | D12/111 |
| D925,405 | S * | 7/2021 | Lin | | D12/111 |
| D928,668 | S * | 8/2021 | Li | | D12/111 |
| D929,269 | S * | 8/2021 | Chen | | D12/111 |
| D933,538 | S * | 10/2021 | Chen | | D12/111 |
| D934,120 | S * | 10/2021 | Zhu | | D12/111 |
| D934,124 | S * | 10/2021 | Avery | | D12/111 |
| D934,125 | S * | 10/2021 | Avery | | D12/111 |
| D934,126 | S * | 10/2021 | Avery | | D12/111 |

(Continued)

OTHER PUBLICATIONS

“G-force Bike User Manual.” G-force., May 28, 2021 [online], [retrieved on Feb. 25, 2022]. Retrieved from the Internet <URL: <https://www.g-forcebike.com/pub/media/doc/Ebike-T41-user-manual.pdf>>.*

(Continued)

Primary Examiner — Darlington Ly

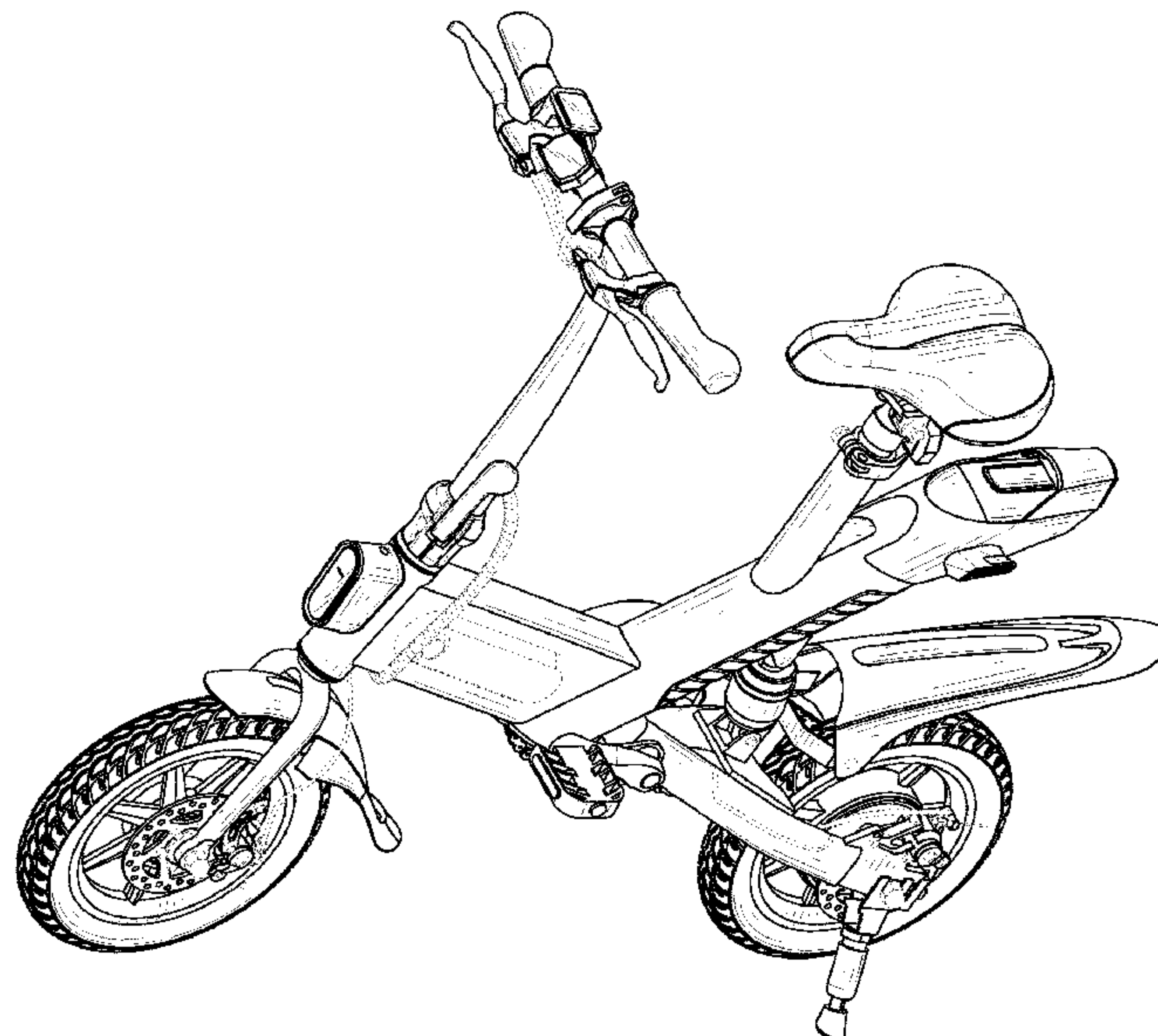
(57) **CLAIM**

The ornamental design for a electric bicycle, as shown and described.

DESCRIPTION

FIG. 1 is a top and front perspective view of an electric bicycle embodying my new design;
FIG. 2 is a bottom and rear perspective view thereof;
FIG. 3 is a left side elevation view thereof;
FIG. 4 is a right side elevation view thereof;
FIG. 5 is a front elevation view thereof;
FIG. 6 is a rear elevation view thereof;
FIG. 7 is a top plan view thereof; and,
FIG. 8 is a bottom plan view thereof.
The broken lines shown in the drawings depict portions of the electric bicycle in which the design is embodied that form no part of the claimed design.

1 Claim, 8 Drawing Sheets



(56)

References Cited

U.S. PATENT DOCUMENTS

D934,740 S * 11/2021 Avery D12/111
D948,384 S * 4/2022 Cai D12/111

OTHER PUBLICATIONS

“G-Force T42 Folding Electric Bike Review and Video.” Folding Wheels., Jul. 28, 2021 [online], [retrieved on Feb. 4, 2022]. Retrieved from the Internet <URL: <https://www.foldingwheels.com/g-force-t42-folding-e-bike-review-and-video/>.*

“Eahora Azarias 750W Folding Electric Bike Review and Video.” Folding Wheels., Nov. 23, 2021 [online], [retrieved on Feb. 4, 2022]. Retrieved from the Internet <URL: <https://www.foldingwheels.com/eahora-azarias-750w-folding-electric-bike-review/>.*

* cited by examiner

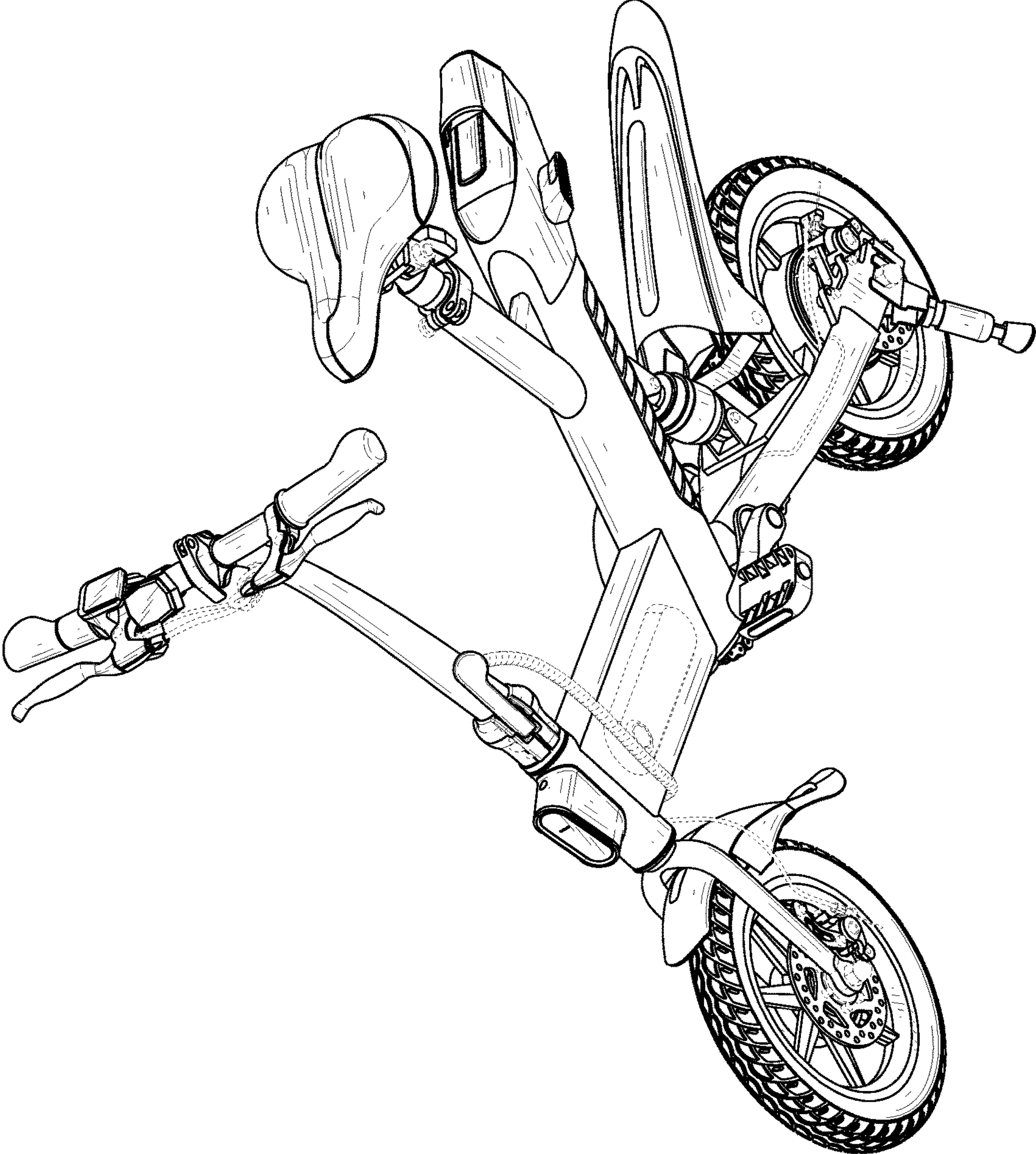


FIG. 1

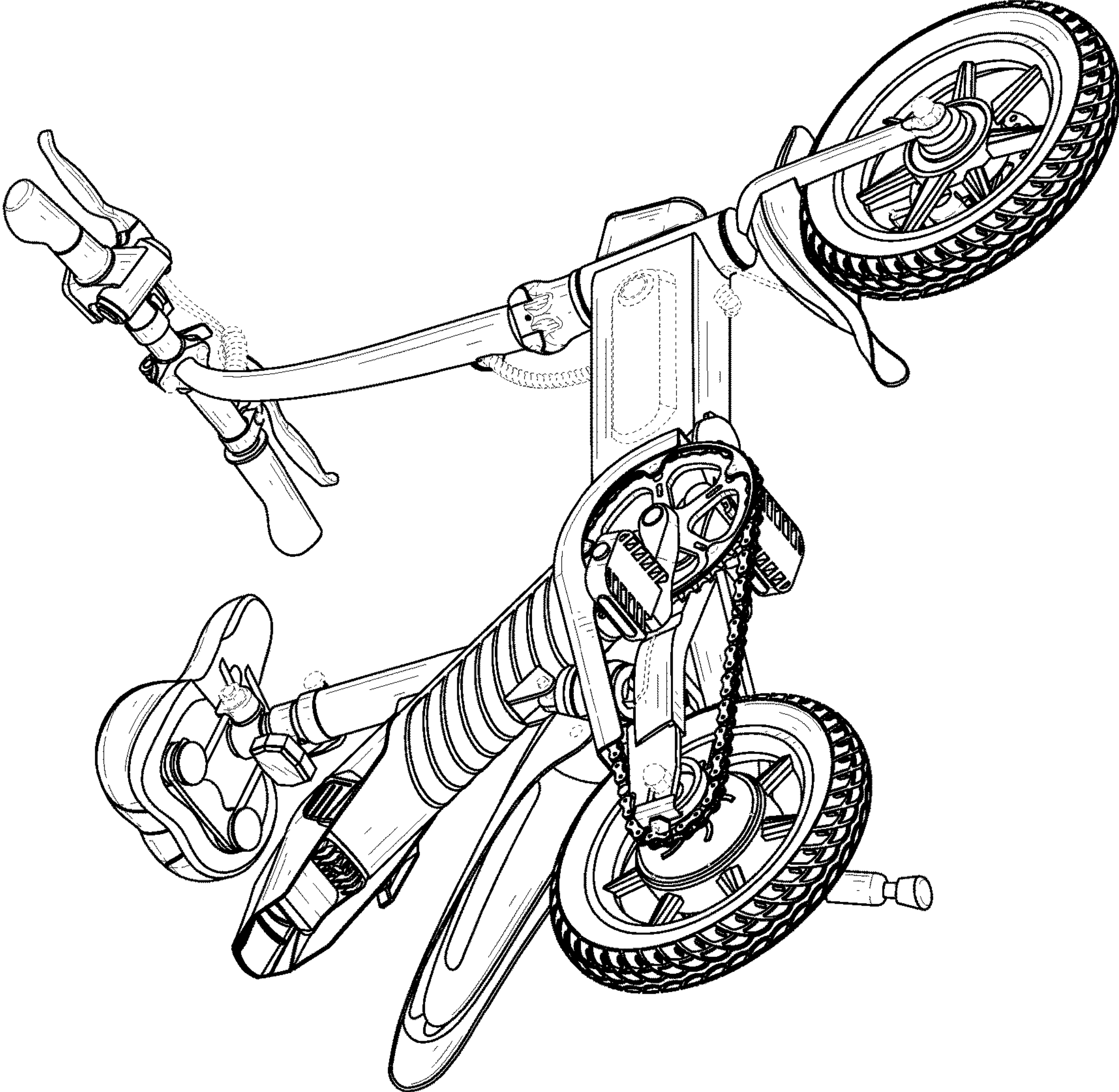


FIG. 2

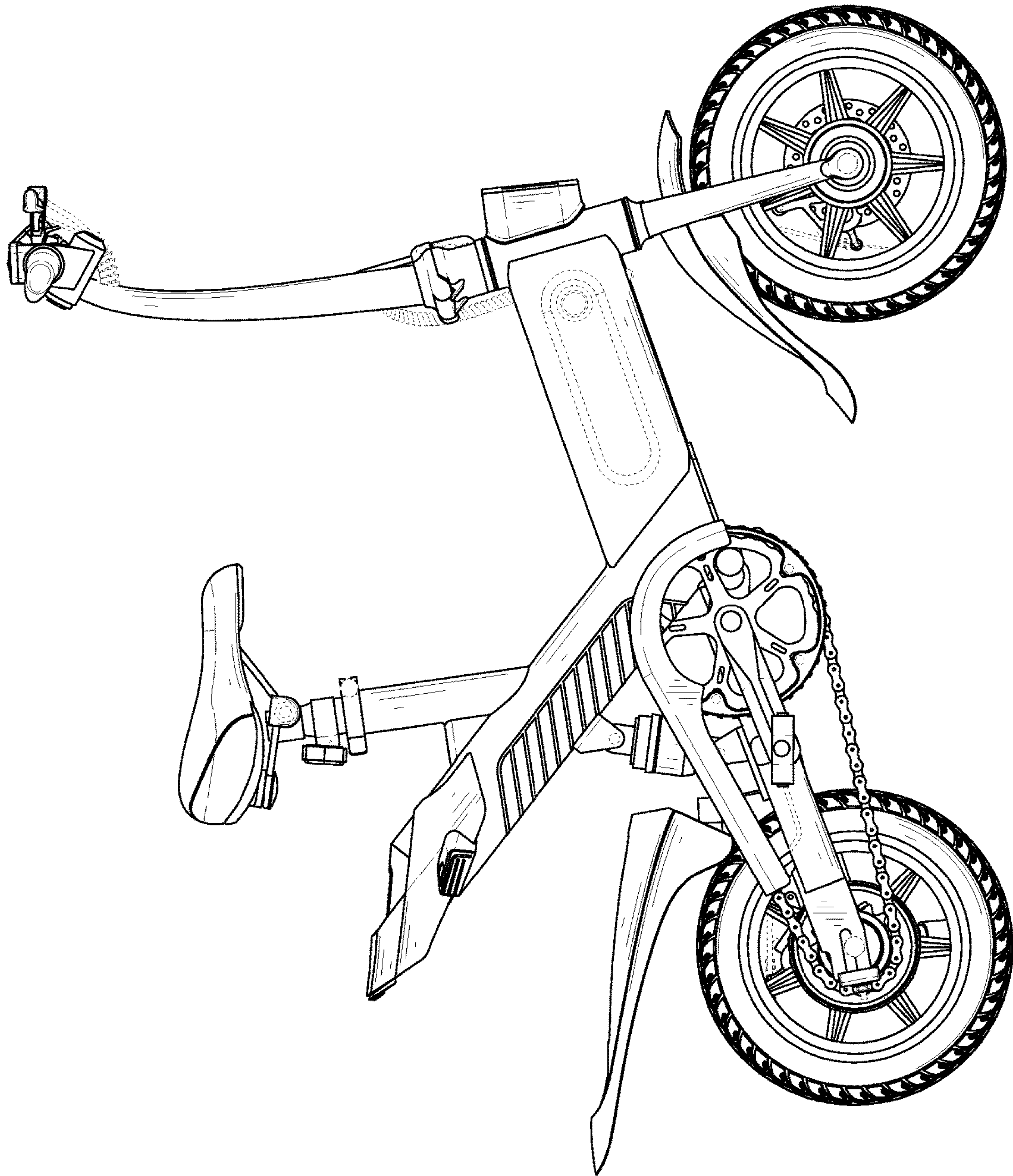


FIG. 4

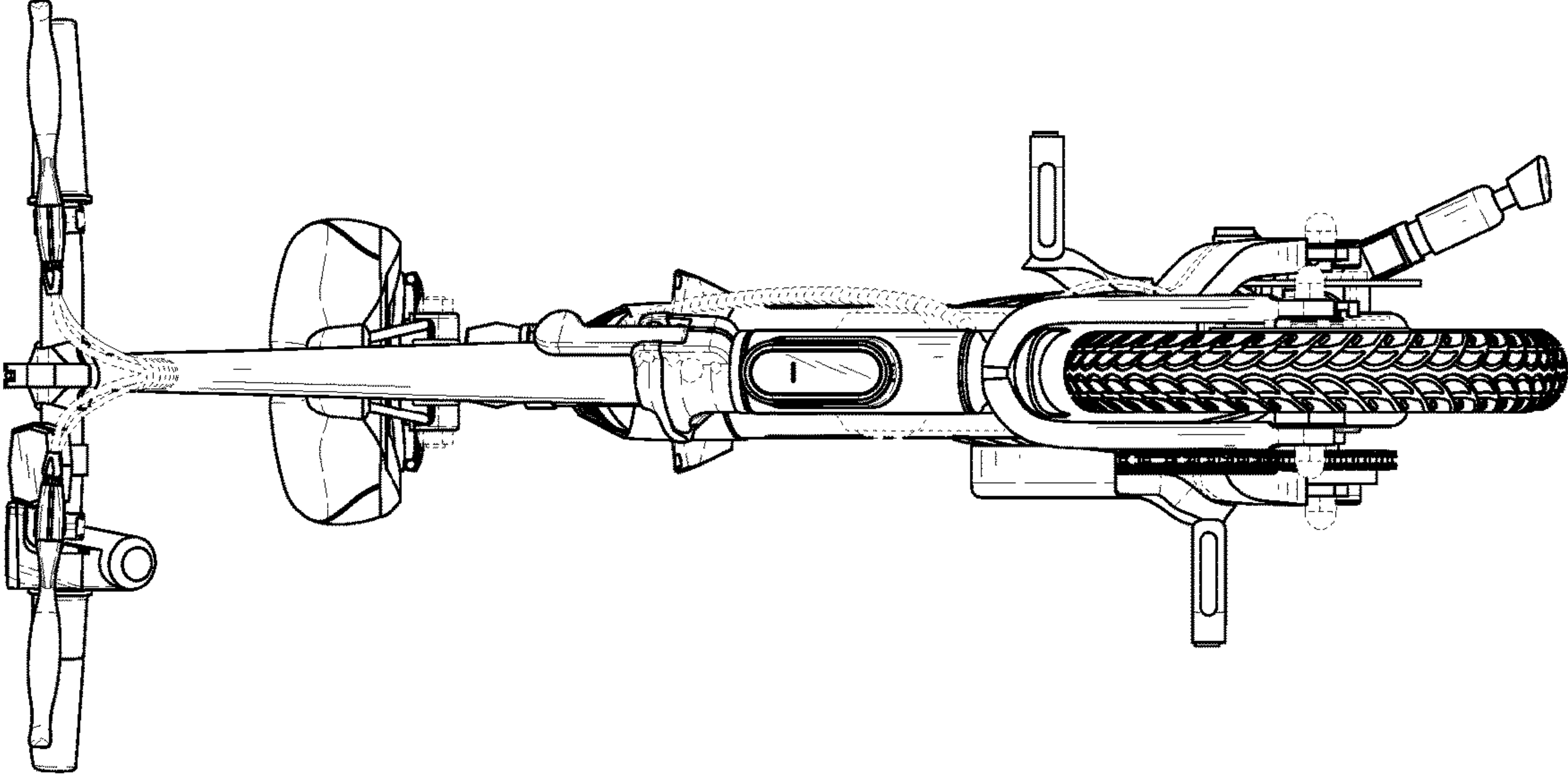


FIG. 5

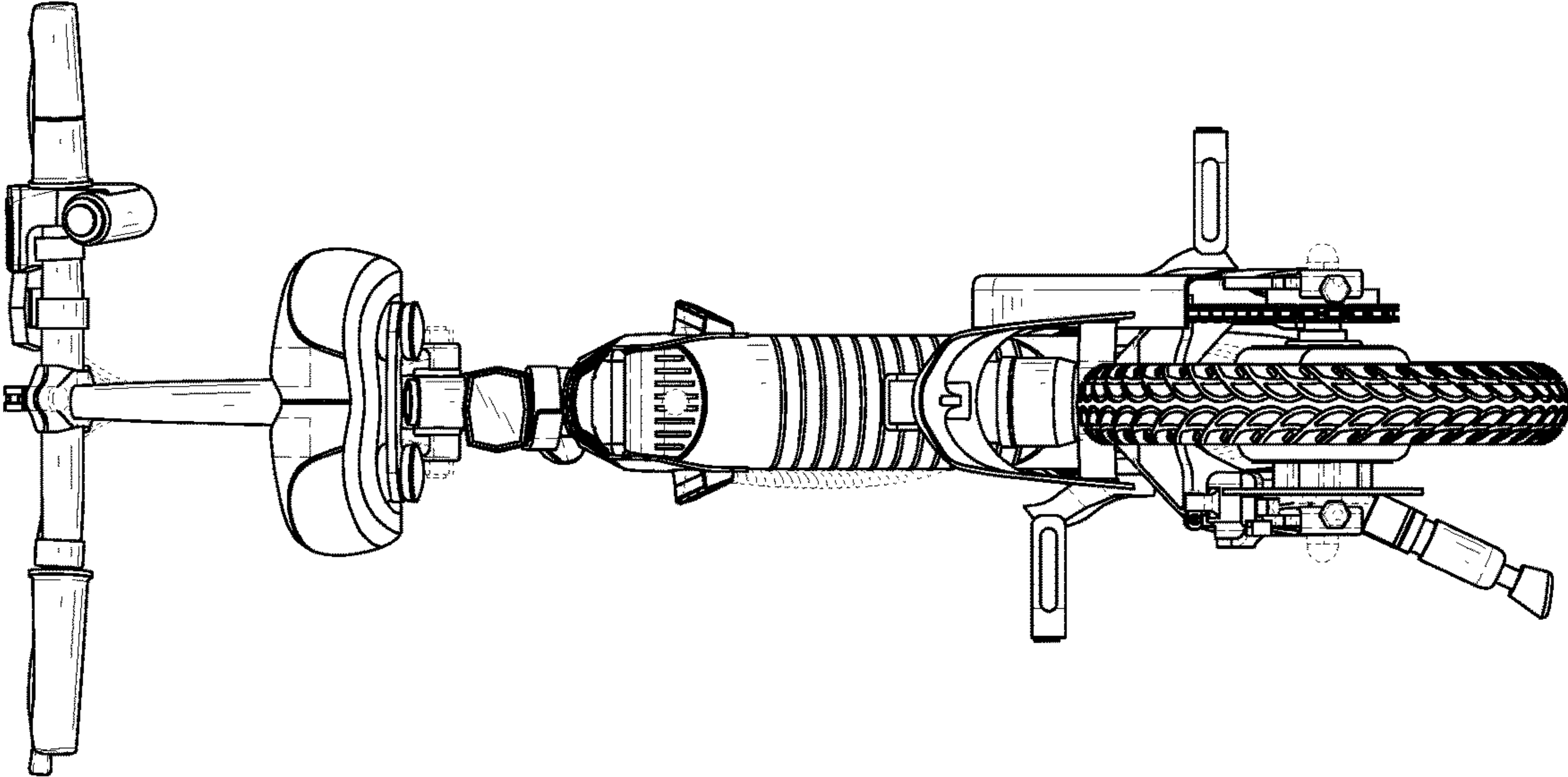


FIG. 6

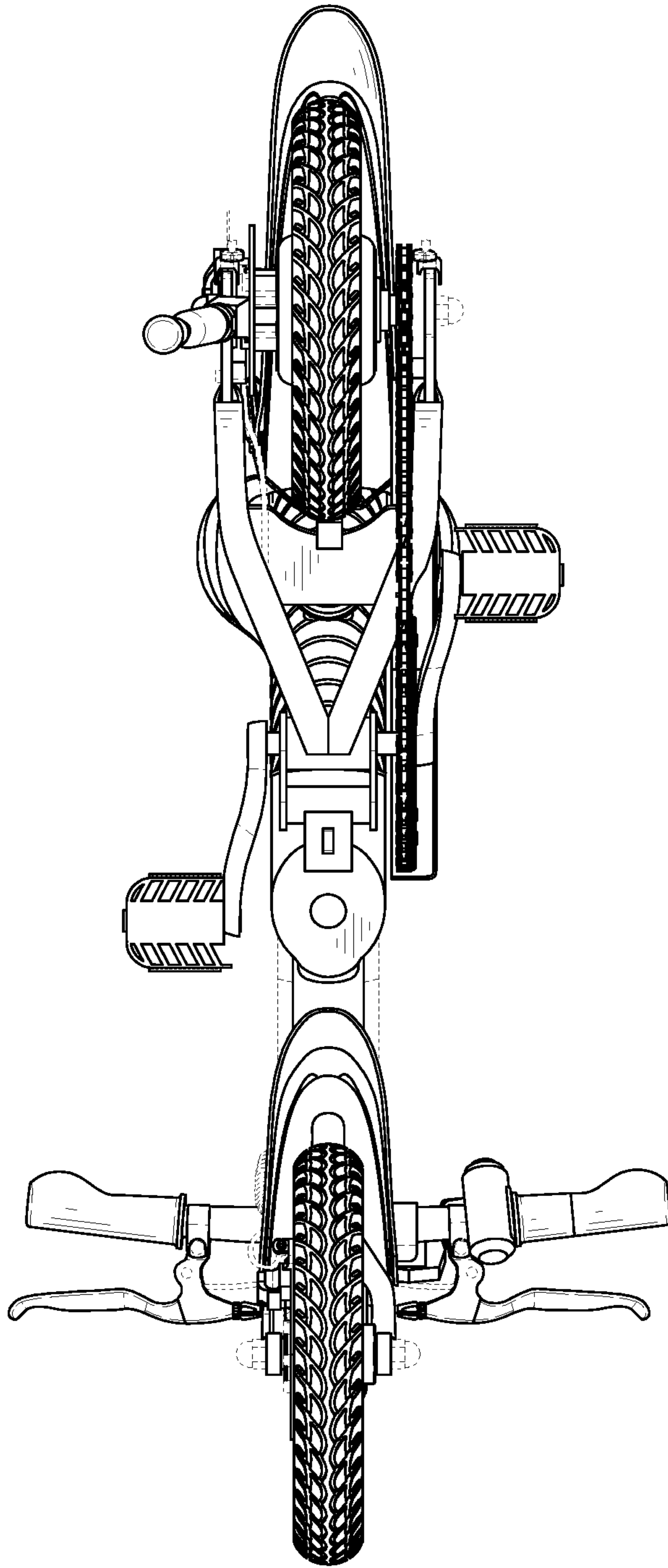


FIG. 8