

US00D960050S

(12) **United States Design Patent**  
**Akita et al.**

(10) **Patent No.:** **US D960,050 S**

(45) **Date of Patent:** **\*\* Aug. 9, 2022**

(54) **MOTORCYCLE**

(71) Applicant: **Kawasaki Motors, Ltd.**, Hyogo (JP)

(72) Inventors: **Kohei Akita**, Akashi (JP); **Takumi Uemoto**, Kobe (JP)

(73) Assignee: **KAWASAKI MOTORS, LTD.**

(\*\*) Term: **15 Years**

(21) Appl. No.: **29/758,186**

(22) Filed: **Nov. 12, 2020**

(30) **Foreign Application Priority Data**

Sep. 17, 2020 (JP) ..... 2020-019831

(51) **LOC (13) Cl.** ..... **12-11**

(52) **U.S. Cl.**  
USPC ..... **D12/110**

(58) **Field of Classification Search**  
USPC ..... D12/110, 111, 117; D21/432, 538  
CPC ..... B62K 11/00; B62K 11/02; B62K 11/04;  
B62K 11/10; B62K 17/00; B62K 19/00;  
B62K 2202/00  
See application file for complete search history.

(56) **References Cited**

**U.S. PATENT DOCUMENTS**

D606,906 S *	12/2009	Chosa	.....	D12/110
D611,881 S *	3/2010	Toriyama	.....	D12/110
D643,341 S *	8/2011	Uchiyama	.....	D12/110
D647,825 S *	11/2011	Shibuta	.....	D12/110
D670,204 S *	11/2012	Yasuhara	.....	D12/110
D686,538 S *	7/2013	Nagao	.....	D12/110
D688,982 S *	9/2013	Oyanagi	.....	D12/110
D689,406 S *	9/2013	Yasuhara	.....	D12/110
D755,084 S *	5/2016	Sakata	.....	D12/110
D755,680 S *	5/2016	Yashuhara	.....	D12/110
D755,681 S *	5/2016	Martin	.....	D12/110
D755,682 S *	5/2016	Hahn-Woernle	.....	D12/110

D756,268 S *	5/2016	Yamada	.....	D12/110
D758,923 S *	6/2016	Yamada	.....	D12/110
D758,924 S *	6/2016	Tamura	.....	D12/110
D782,368 S *	3/2017	Fujimoto	.....	D12/110
D795,746 S *	8/2017	Akita	.....	D12/110
D797,002 S *	9/2017	Toyama	.....	D12/110
D797,608 S *	9/2017	Tachibana	.....	D12/110
D801,230 S *	10/2017	Endo	.....	D12/110
D807,231 S *	1/2018	Petersson	.....	D12/110
D815,566 S *	4/2018	Oyanagi	.....	D12/110
D817,230 S *	5/2018	Tamura	.....	D12/110
D821,269 S *	6/2018	Sasanami	.....	D12/110
D847,031 S *	4/2019	Kobayashi	.....	D12/110
D849,602 S *	5/2019	Oyanagi	.....	D12/110
D871,976 S *	1/2020	Martin	.....	D12/110

(Continued)

**OTHER PUBLICATIONS**

“2021 Ninja® ZX™—10RR.” kawasaki., Nov. 23, 2020 [online], [retrieved on Apr. 5, 2022]. Retrieved from the Internet <URL: [https://www.kawasaki.com/en-us/motorcycle/ninja/supersport/ninja-zx-10r/2021-ninja-zx-10r?cm\\_re=CATEGORY:MOTORCYCLE\\_-\\_CATEGORYVEHICLES\\_-\\_VEHICLEBUCKET](https://www.kawasaki.com/en-us/motorcycle/ninja/supersport/ninja-zx-10r/2021-ninja-zx-10r?cm_re=CATEGORY:MOTORCYCLE_-_CATEGORYVEHICLES_-_VEHICLEBUCKET)>.\*

(Continued)

*Primary Examiner* — Darlington Ly

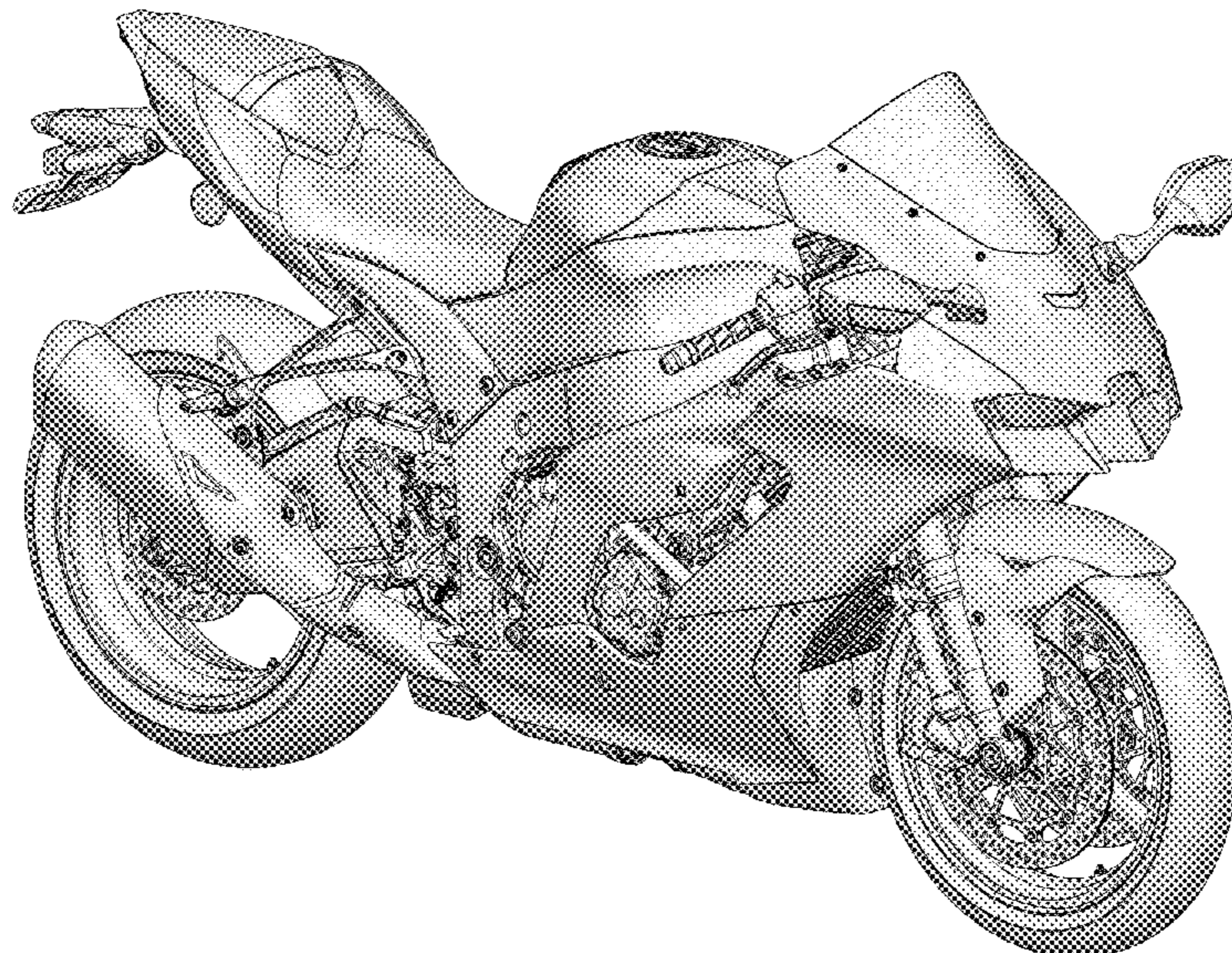
(57) **CLAIM**

The ornamental design for a motorcycle, as shown and described.

**DESCRIPTION**

FIG. 1 is a front elevational view of a motorcycle showing our new design;  
FIG. 2 is a rear elevational view thereof;  
FIG. 3 is a left side elevational view thereof;  
FIG. 4 is a right side elevational view thereof;  
FIG. 5 is a top plan view thereof;  
FIG. 6 is a front and left side perspective view thereof; and,  
FIG. 7 is a rear and right side perspective view thereof.

**1 Claim, 7 Drawing Sheets**



(56)

**References Cited**

U.S. PATENT DOCUMENTS

D874,985 S	*	2/2020	Shigihara .....	D12/110
D875,615 S	*	2/2020	Martin .....	D12/110
D875,616 S	*	2/2020	Martin .....	D12/110
D875,617 S	*	2/2020	Nagase .....	D12/110
D876,990 S	*	3/2020	Yoshitomi .....	D12/110
D884,562 S	*	5/2020	Usami .....	D12/110
D902,083 S	*	11/2020	Arru .....	D12/110
D911,223 S	*	2/2021	Kinoshita .....	D12/110

OTHER PUBLICATIONS

Jensen Beeler. "The 2021 Kawasaki Ninja ZX-10RR—\$29,000 & Only 500 Will Be Made." Asphalt & Rubber, Nov. 23, 2020 [online], [retrieved on Apr. 5, 2022]. Retrieved from the Internet <URL: <https://www.asphaltandrubber.com/bikes/2021-kawasaki-ninja-zx-10rr/>>.\*

Ron Lieback. "2021 Kawasaki Ninja ZX-10R and ZX-10RR: All-New (15 Fast Facts)." Asphalt & Rubber, Nov. 23, 2020 [online], [retrieved on Apr. 5, 2022]. Retrieved from the Internet <URL: <https://ultimatemotorcycling.com/2020/11/23/2021-kawasaki-ninja-zx-10r-and-zx-10rr-all-new-15-fast-facts/>>.\*

\* cited by examiner

Fig. 1

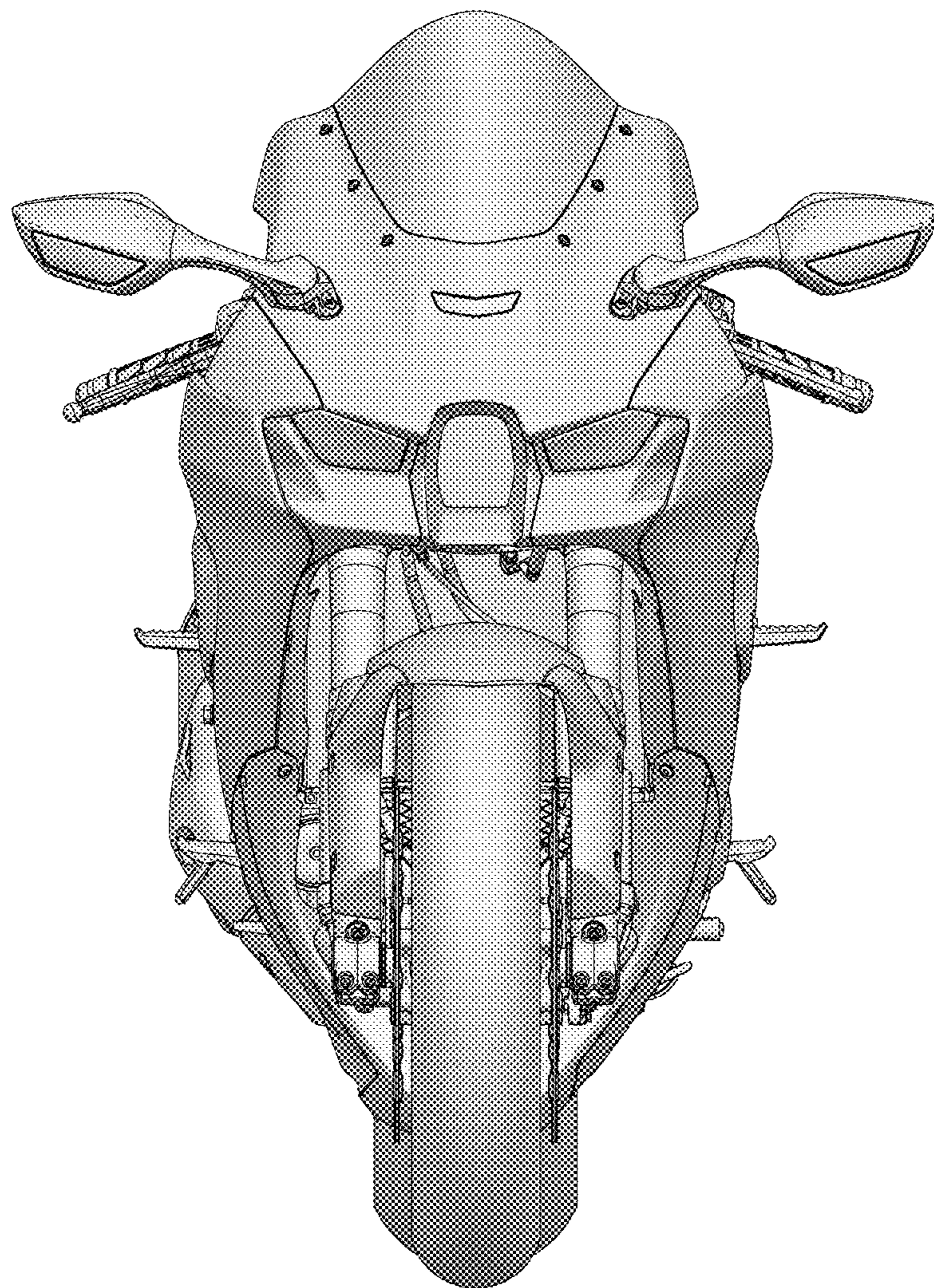
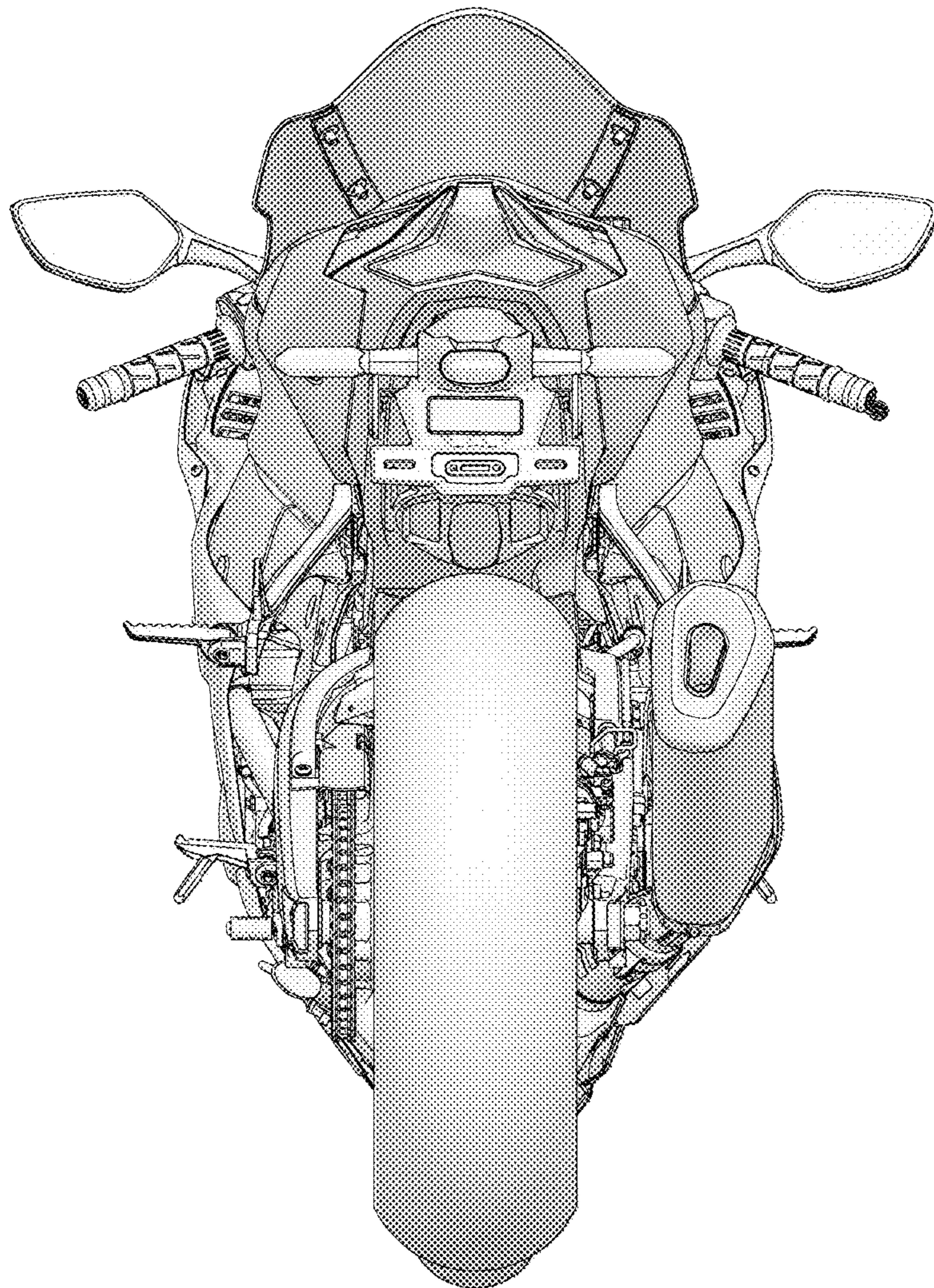


Fig. 2



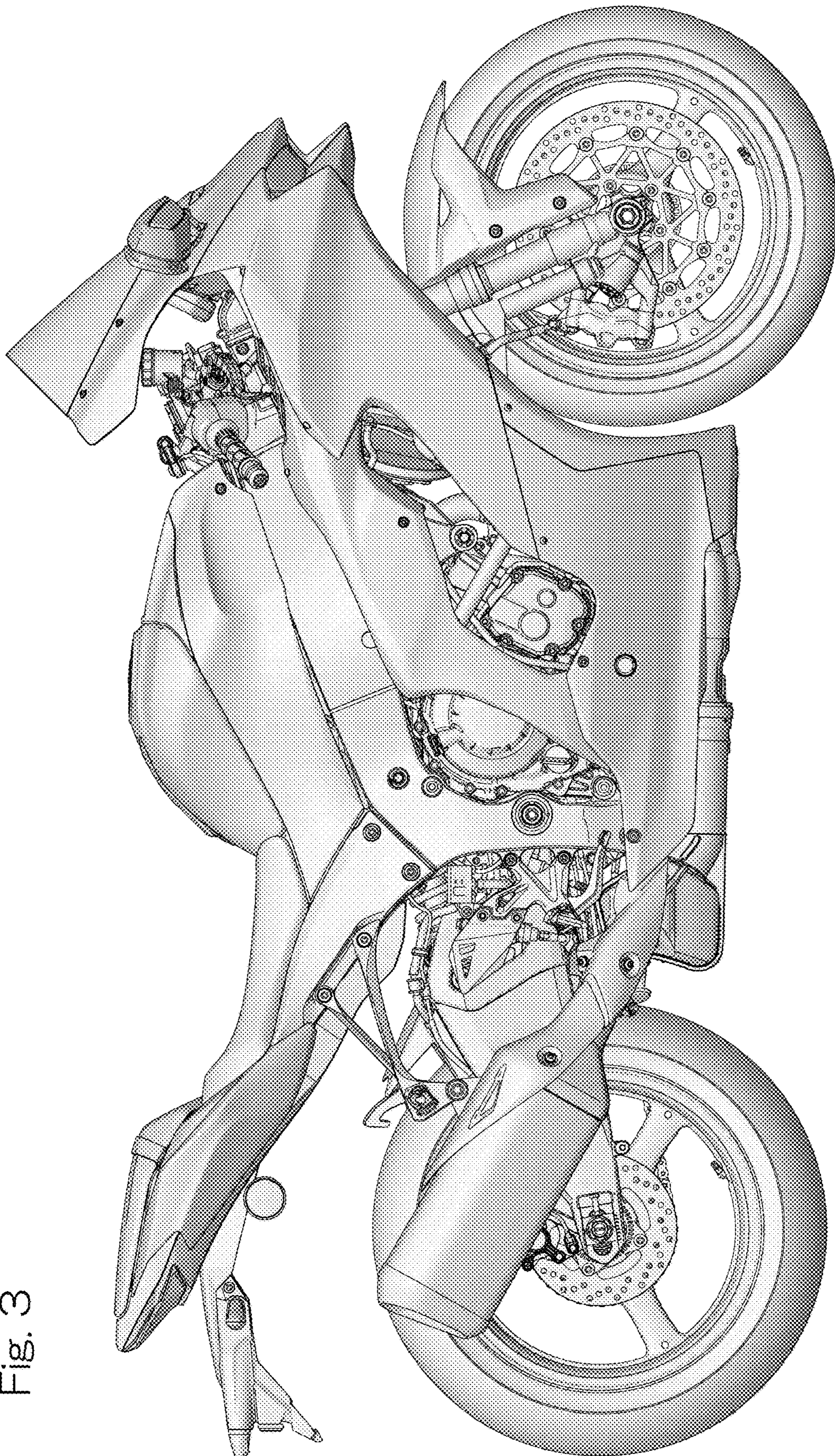


Fig. 3

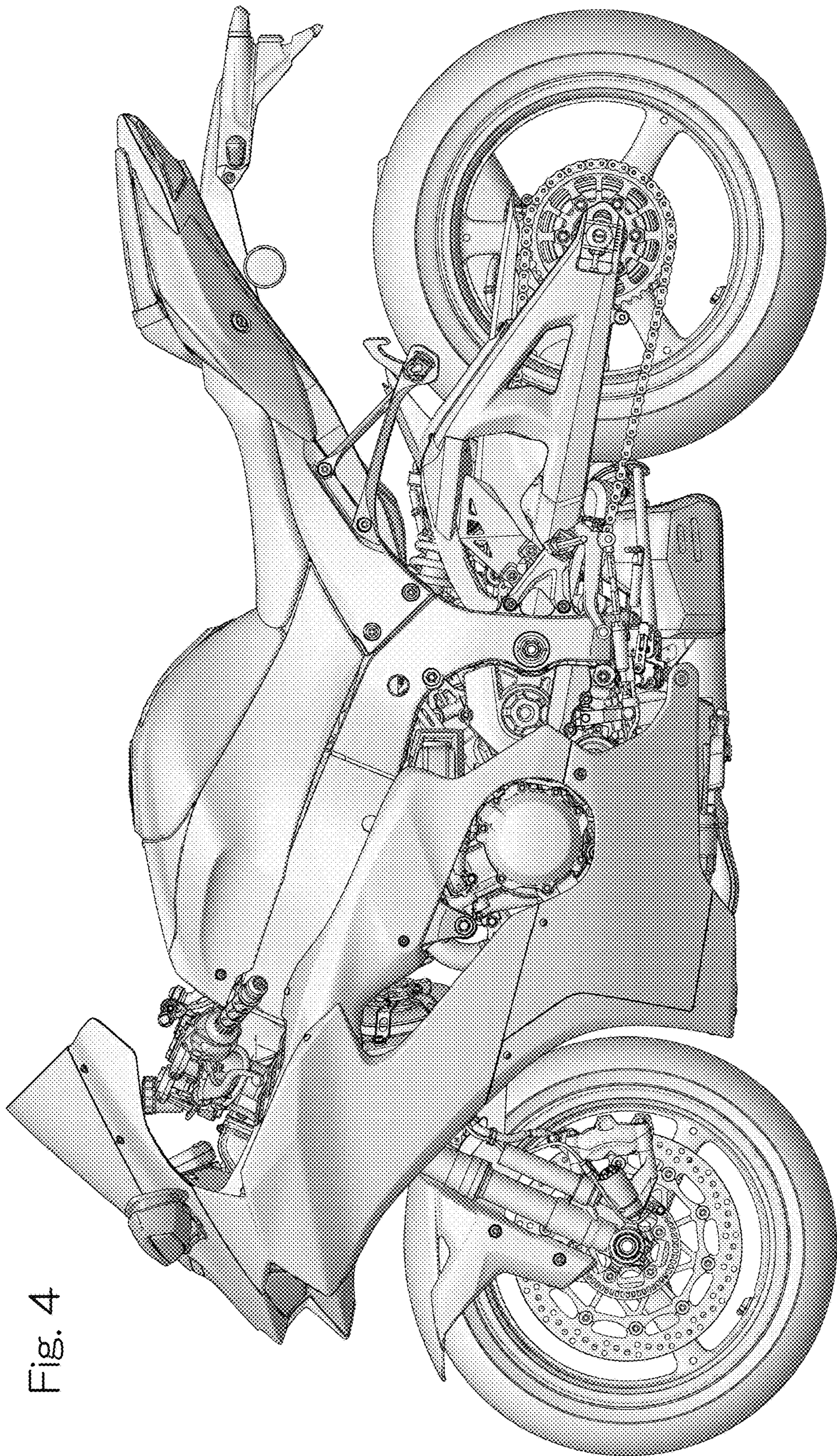
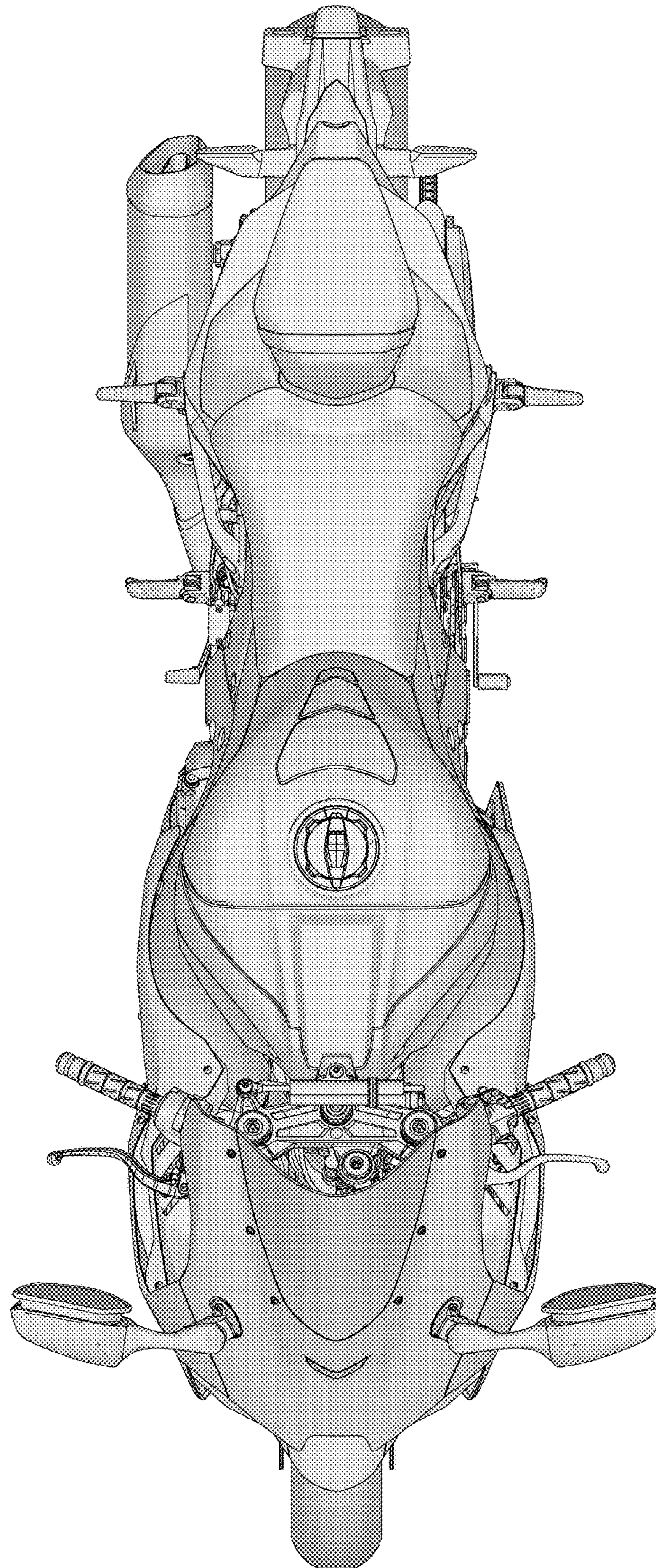


Fig. 4

Fig. 5



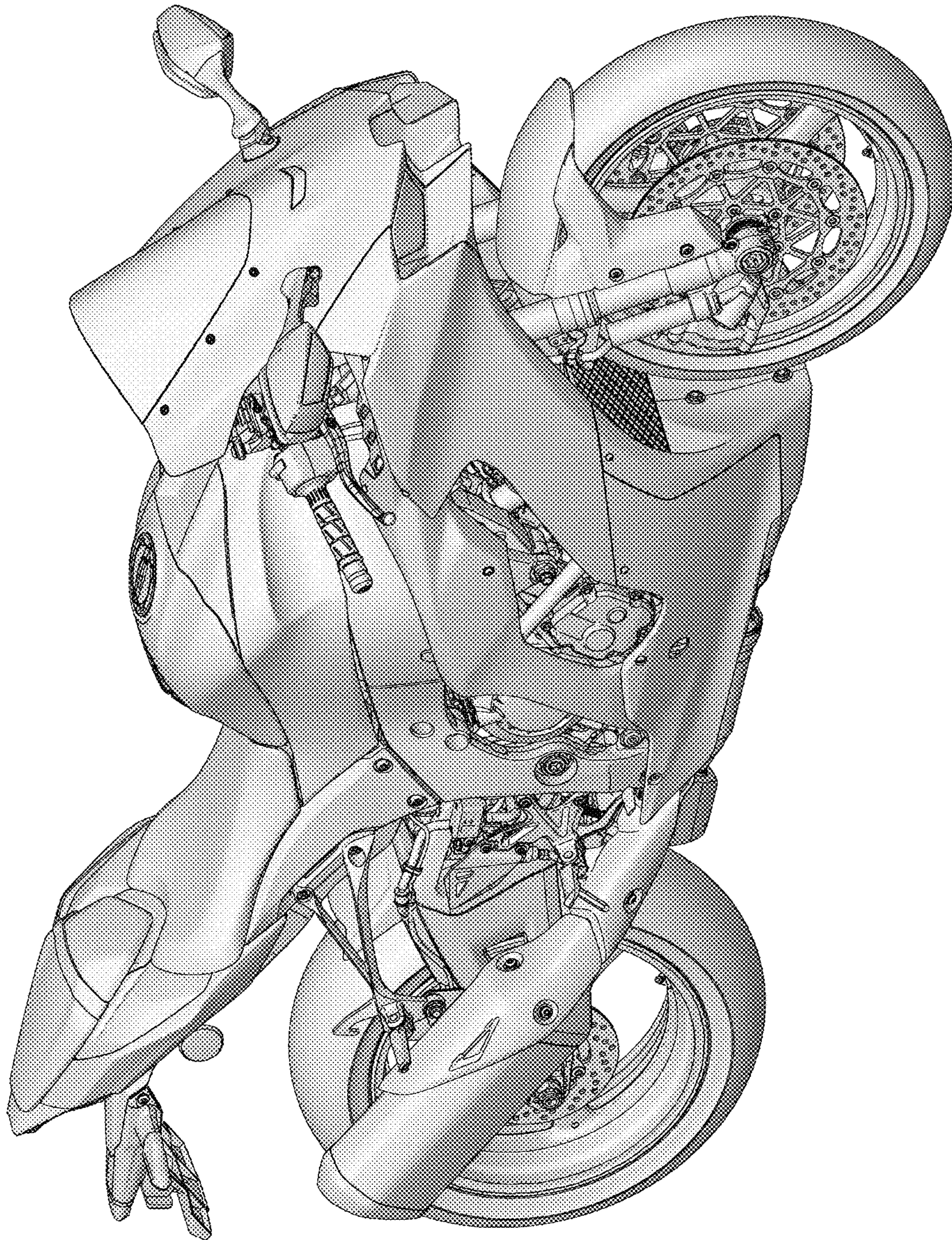


Fig. 6



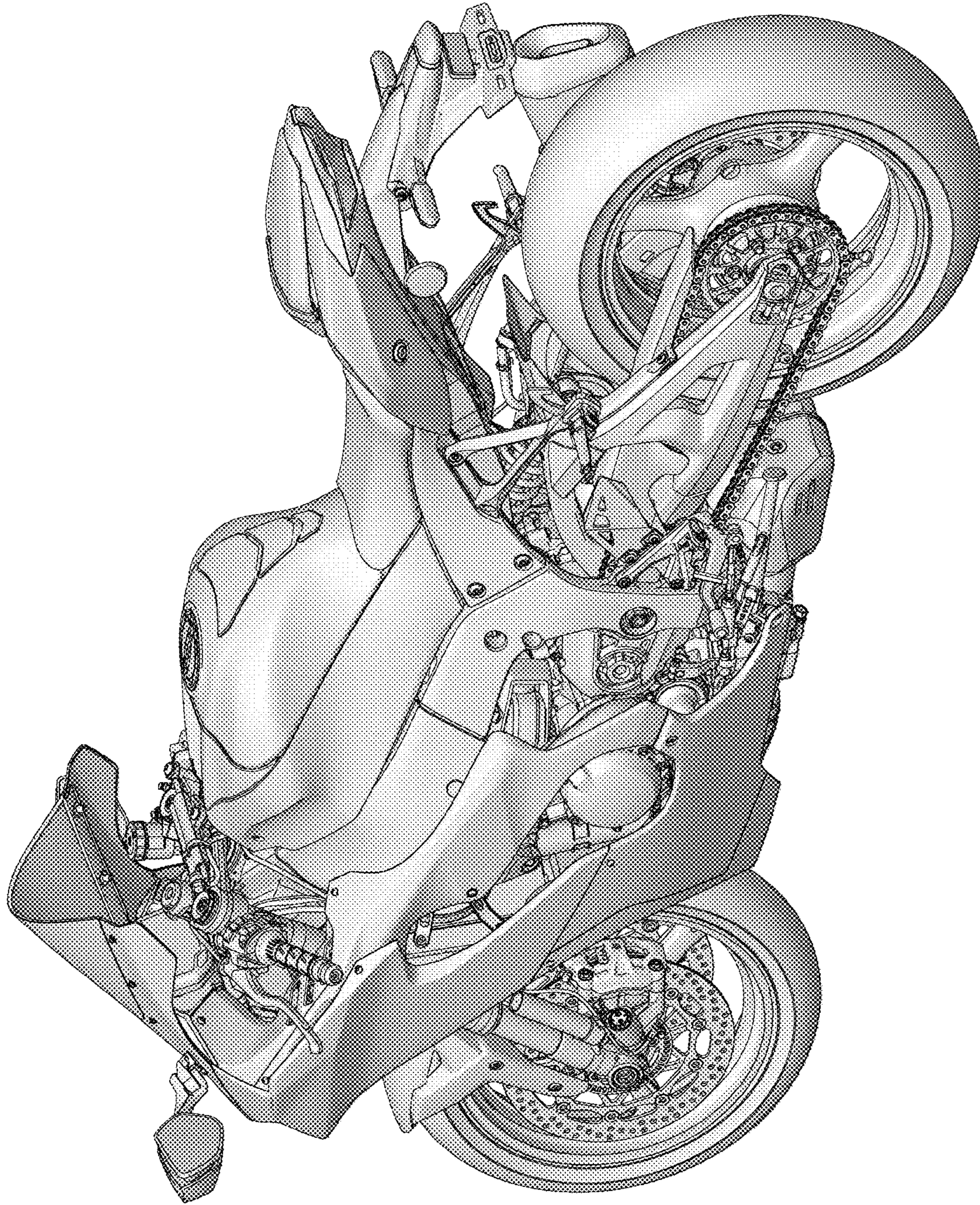


Fig. 7