



US00D960049S

(12) **United States Design Patent** (10) **Patent No.:** **US D960,049 S**
Zhang (45) **Date of Patent:** **** Aug. 9, 2022**

(54) **TAILGATE APPLIQUE PANEL**
(71) Applicants: **Weijun Chen**, El Monte, CA (US);
Huan Zhang, El Monte, CA (US)
(72) Inventor: **Huan Zhang**, El Monte, CA (US)
(**) Term: **15 Years**
(21) Appl. No.: **29/815,987**
(22) Filed: **Nov. 18, 2021**
(51) **LOC (13) Cl.** **12-16**
(52) **U.S. Cl.**
USPC **D12/109**
(58) **Field of Classification Search**
USPC D12/190, 181, 192, 400, 90, 91, 92, 196,
D12/197, 198, 199, 200, 171, 172, 163,
D12/110, 114
CPC B60S 9/205; B60R 13/005; B60R 13/02
See application file for complete search history.

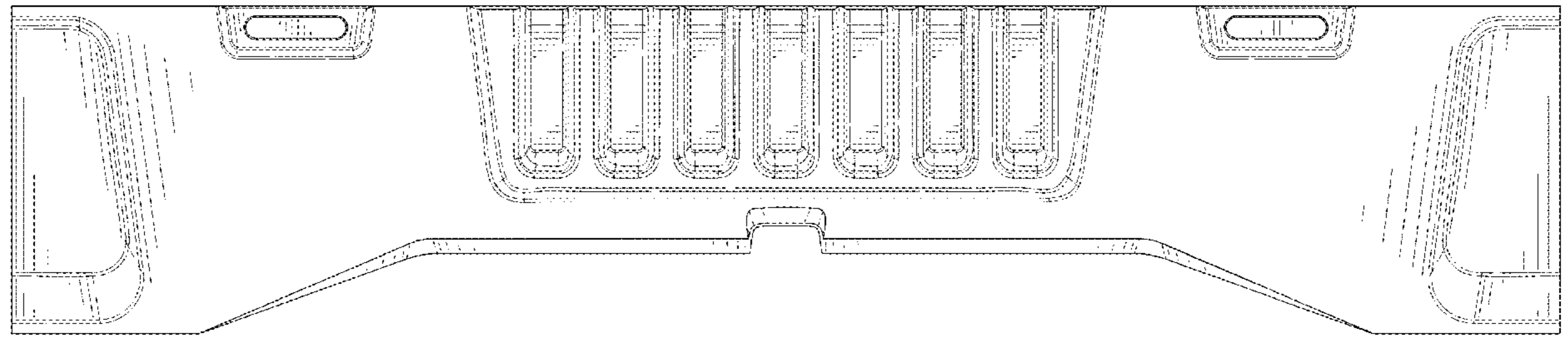
(56) **References Cited**
U.S. PATENT DOCUMENTS
D782,424 S 3/2017 Lin
D857,578 S * 8/2019 Yu D12/196
D873,753 S * 1/2020 Ahn D12/196
D890,069 S * 7/2020 Swerdloff D12/209

D893,376 S * 8/2020 Oh D12/196
D893,377 S * 8/2020 Kim D12/196
10,780,836 B1 * 9/2020 Fisher B60R 9/02
D900,692 S * 11/2020 Lim D12/196
D908,573 S * 1/2021 Langhals D12/196
D915,971 S * 4/2021 Jung D12/196
2019/0375465 A1 * 12/2019 Coudron B62D 29/043
* cited by examiner

Primary Examiner — Katrina A Betton
(57) **CLAIM**
The ornamental design for a tailgate applique panel, as shown and described.

DESCRIPTION
FIG. 1 is a front and top perspective view of a tailgate applique panel, showing my new design;
FIG. 2 is a rear and bottom perspective view thereof;
FIG. 3 is a front elevation view thereof;
FIG. 4 is a rear elevation view thereof;
FIG. 5 is a left side elevation view thereof;
FIG. 6 is a right side elevation view thereof;
FIG. 7 is a top plan view thereof;
FIG. 8 is a bottom plan view thereof; and,
FIG. 9 is an enlarged view of a portion labeled, 'FIG. 9' in FIG. 2.
The dash dot dash lines in FIGS. 2 and 9 are for the purpose of depicting the boundary lines of the enlarged view and form no part of the claimed design.

1 Claim, 9 Drawing Sheets



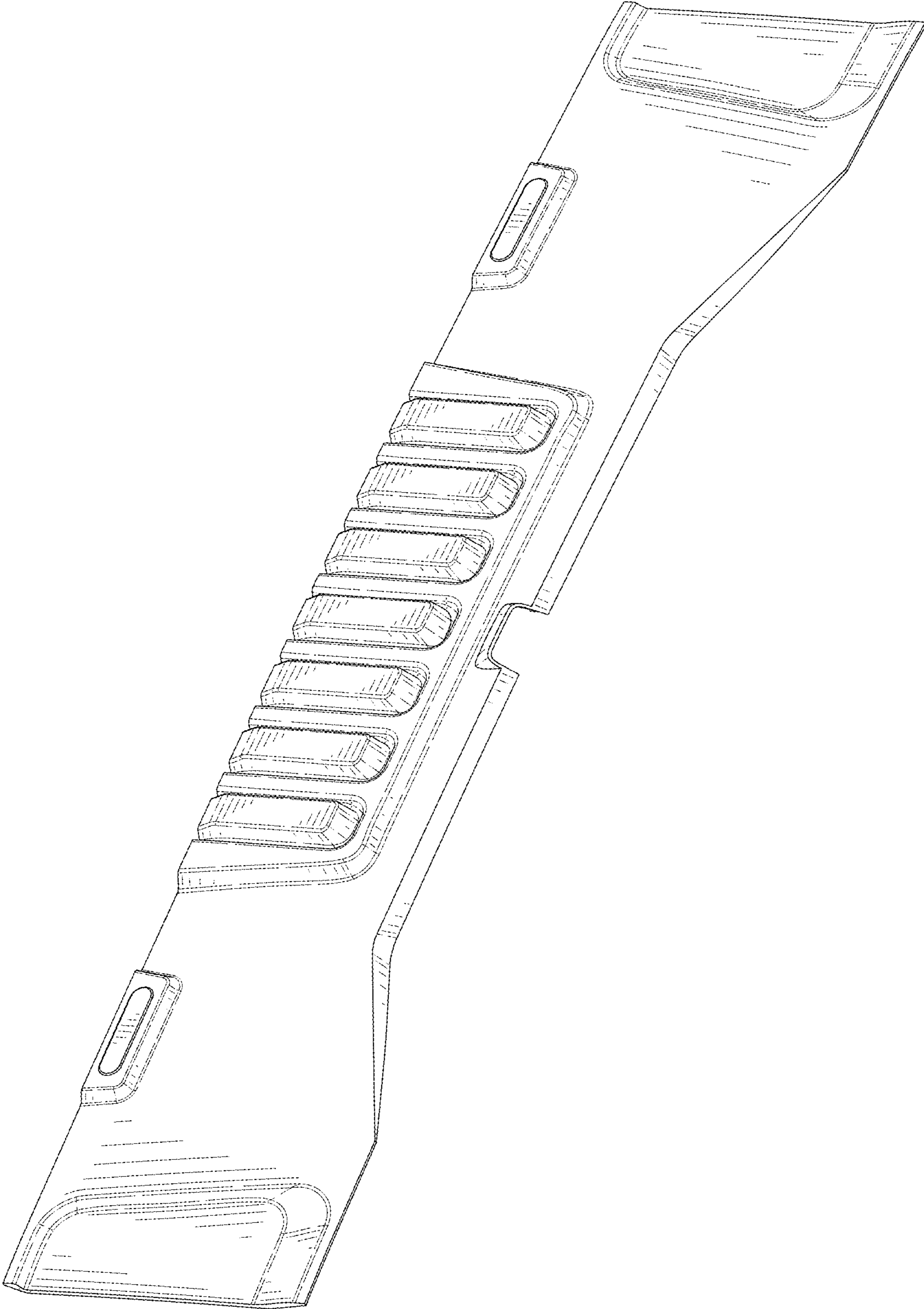


FIG. 1

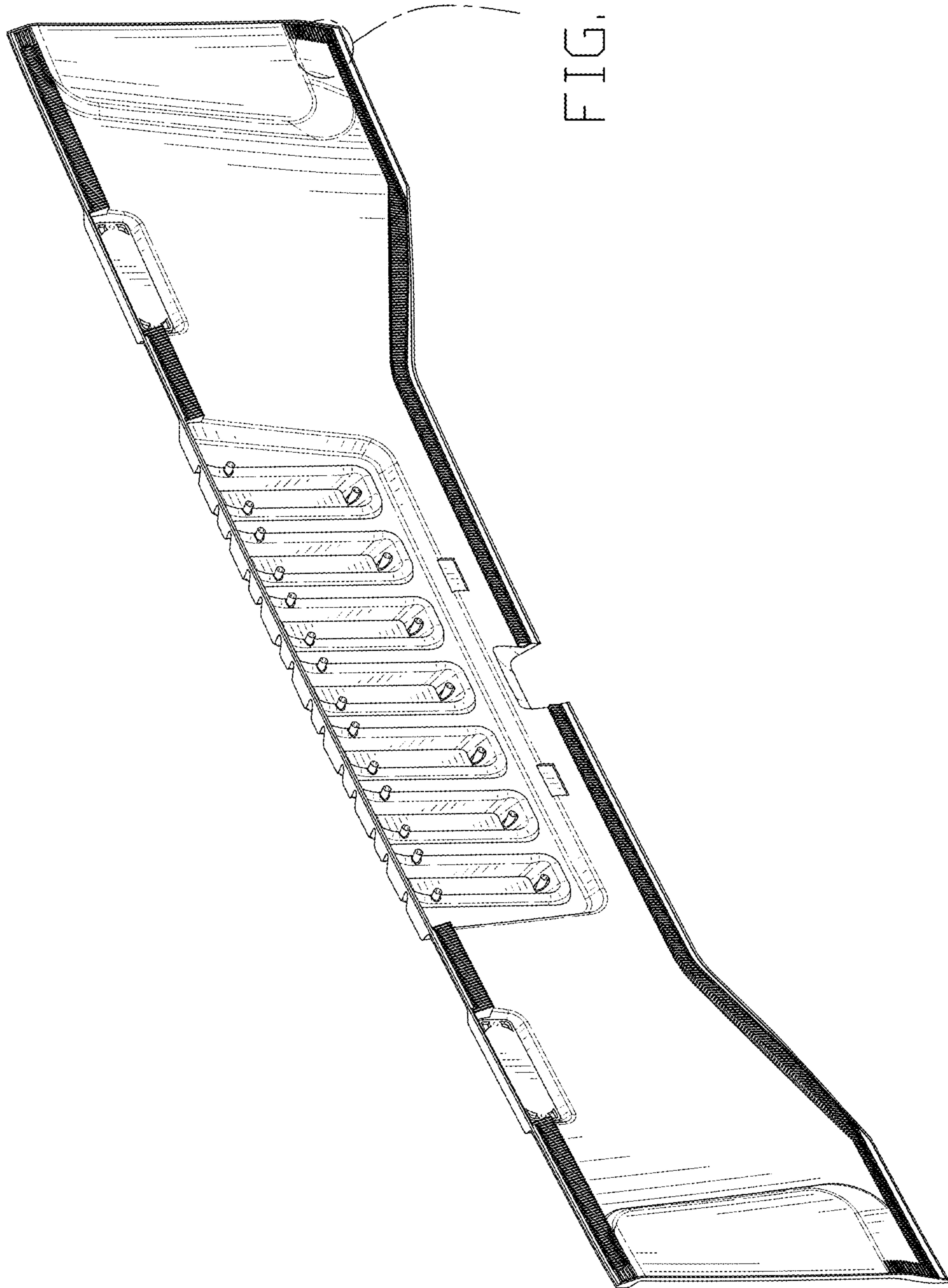


FIG. 9

FIG. 2

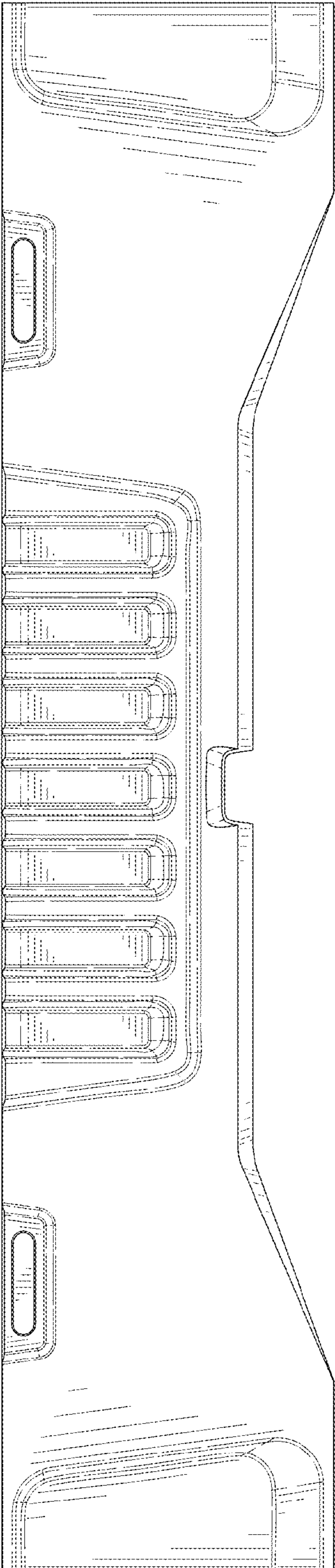


FIG. 3

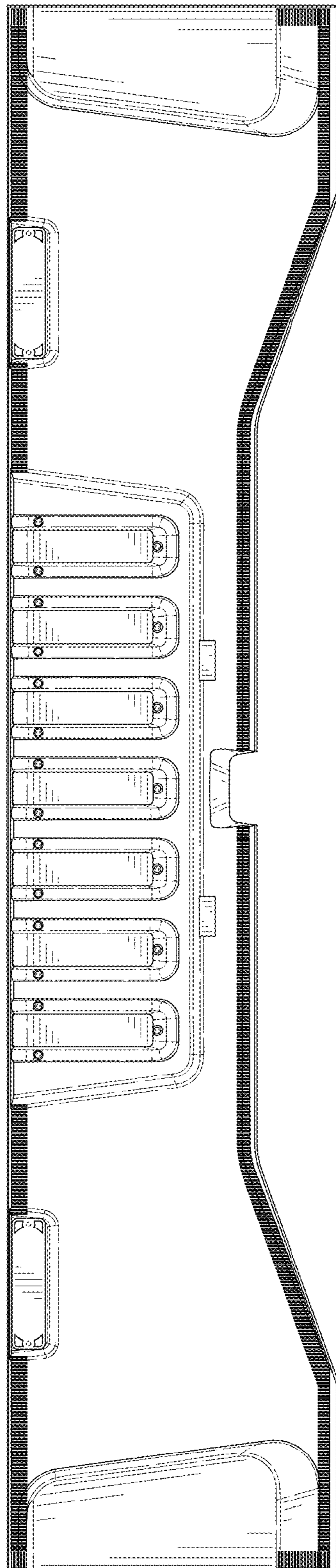


FIG. 4

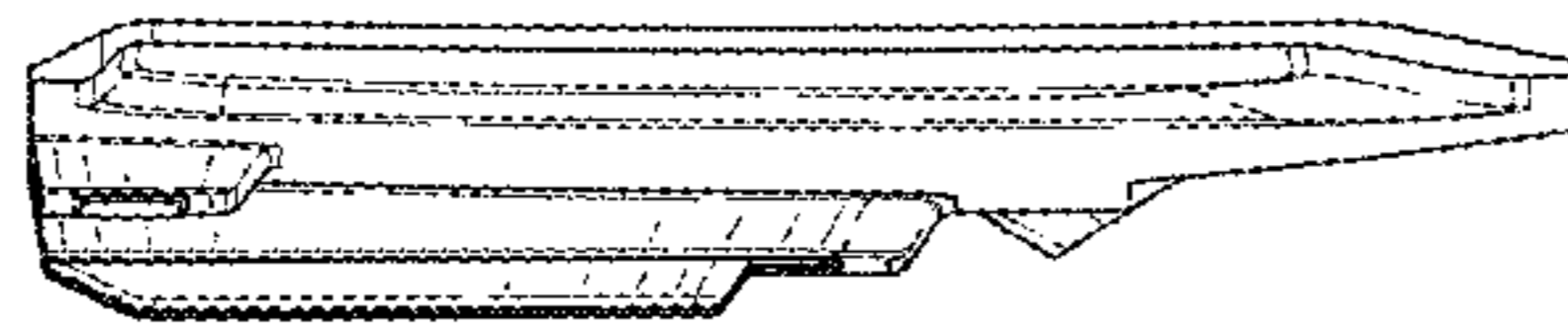


FIG. 5

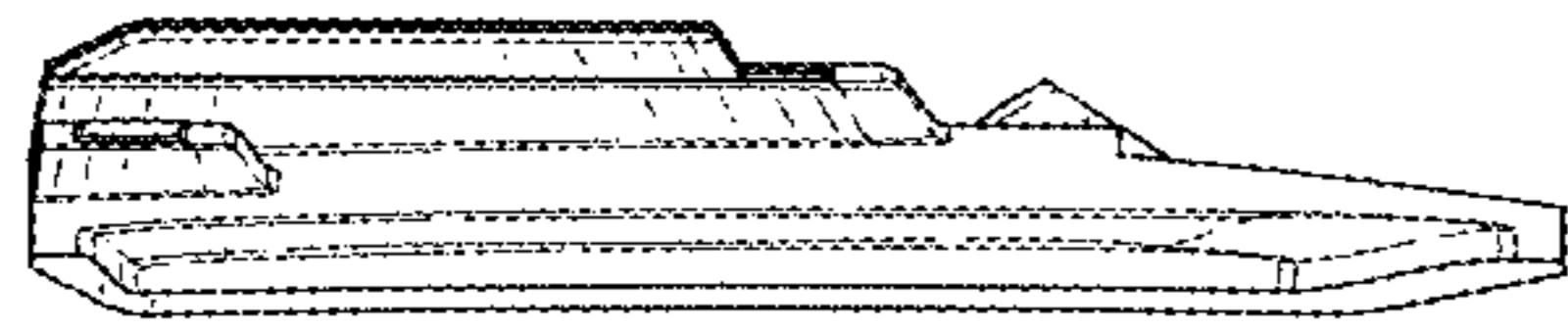


FIG. 6

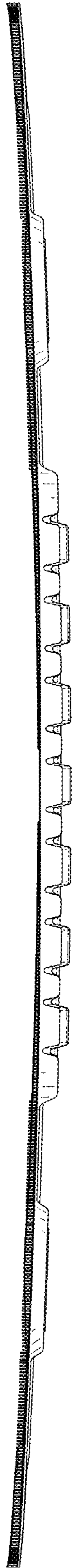


FIG. 7

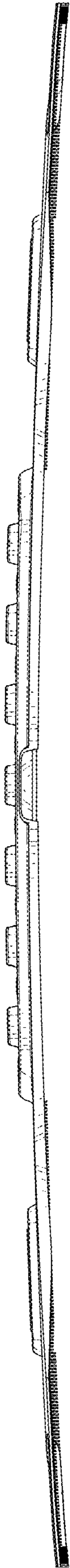


FIG. 8

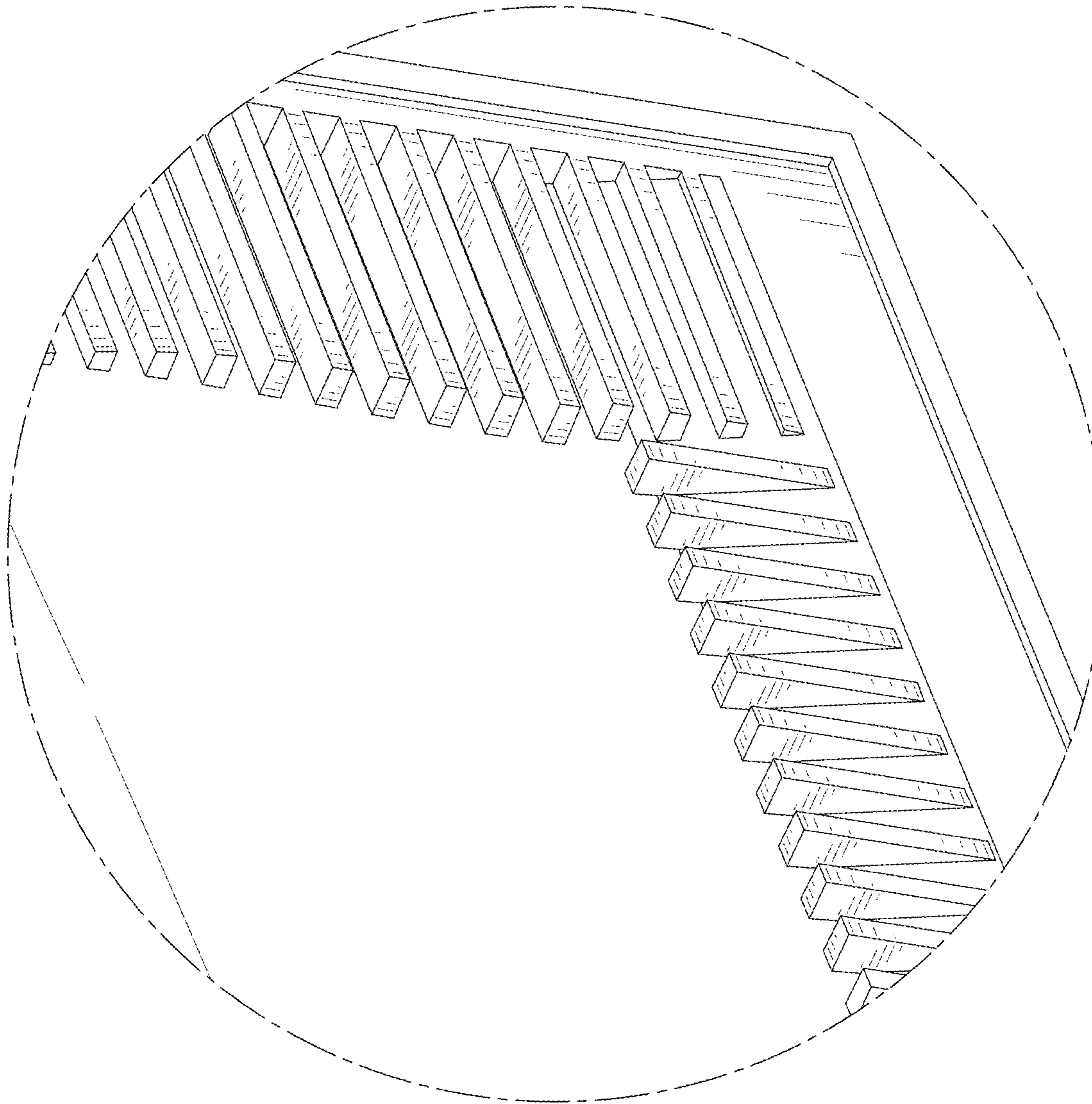


FIG. 9