



US00D960047S

(12) **United States Design Patent** (10) **Patent No.:** **US D960,047 S**
Larson (45) **Date of Patent:** **** Aug. 9, 2022**

(54) **MOTOR VEHICLE BODY, TOY VEHICLE BODY REPLICAS AND/OR OTHER REPLICAS**

(71) Applicant: **Dr. Ing. h.c. F. Porsche Aktiengesellschaft, Stuttgart (DE)**

(72) Inventor: **Grant Larson, Stuttgart (DE)**

(73) Assignee: **Dr. Ing. h.c. F. Porsche Aktiengesellschaft**

(**) Term: **15 Years**

(21) Appl. No.: **29/813,894**

(22) Filed: **Nov. 2, 2021**

(30) **Foreign Application Priority Data**

May 11, 2021 (EM) 8536890-0001

(51) **LOC (13) Cl.** **12-08**

(52) **U.S. Cl.**
USPC **D12/92**

(58) **Field of Classification Search**
USPC D12/86, 90-92, 88, 164; D21/424, 433, D21/434, 533; 296/181.1-181.5, 183.1
CPC B62D 25/00; B62D 25/06; B62D 33/00; B62D 35/00
See application file for complete search history.

(56) **References Cited**

U.S. PATENT DOCUMENTS

D641,665 S 7/2011 Larson
D663,240 S 7/2012 Scheinhütte
D669,001 S 10/2012 Varga
D684,896 S 6/2013 Scheinhutte
D701,146 S 3/2014 Varga
D704,099 S 5/2014 Varga
D705,131 S 5/2014 Larson
D731,929 S 6/2015 Schramm

D733,614 S 7/2015 Scheinhütte
D753,023 S * 4/2016 Villevoye D12/92
D774,421 S 12/2016 Larson
D797,607 S 9/2017 Preuninger
D805,435 S * 12/2017 Baum D12/92
D805,436 S 12/2017 Yamashita
D805,437 S * 12/2017 Varga D12/92
D808,862 S 1/2018 Ujhasi
D823,727 S * 7/2018 Hauser D12/92
D824,288 S * 7/2018 Hauser D12/92
D826,784 S * 8/2018 Hauser D12/92
D833,331 S 11/2018 Yamashita
D835,730 S * 12/2018 Chung D21/548
D839,786 S 2/2019 Baum
D842,759 S 3/2019 Baum
D861,539 S * 10/2019 Schmölz D12/92
D862,288 S * 10/2019 Baum D12/92
D868,631 S 12/2019 Larson
D870,596 S * 12/2019 Yamashita D12/92
D880,359 S * 4/2020 Baum D12/92

(Continued)

Primary Examiner — Melody N Brown

(74) *Attorney, Agent, or Firm* — RatnerPrestia

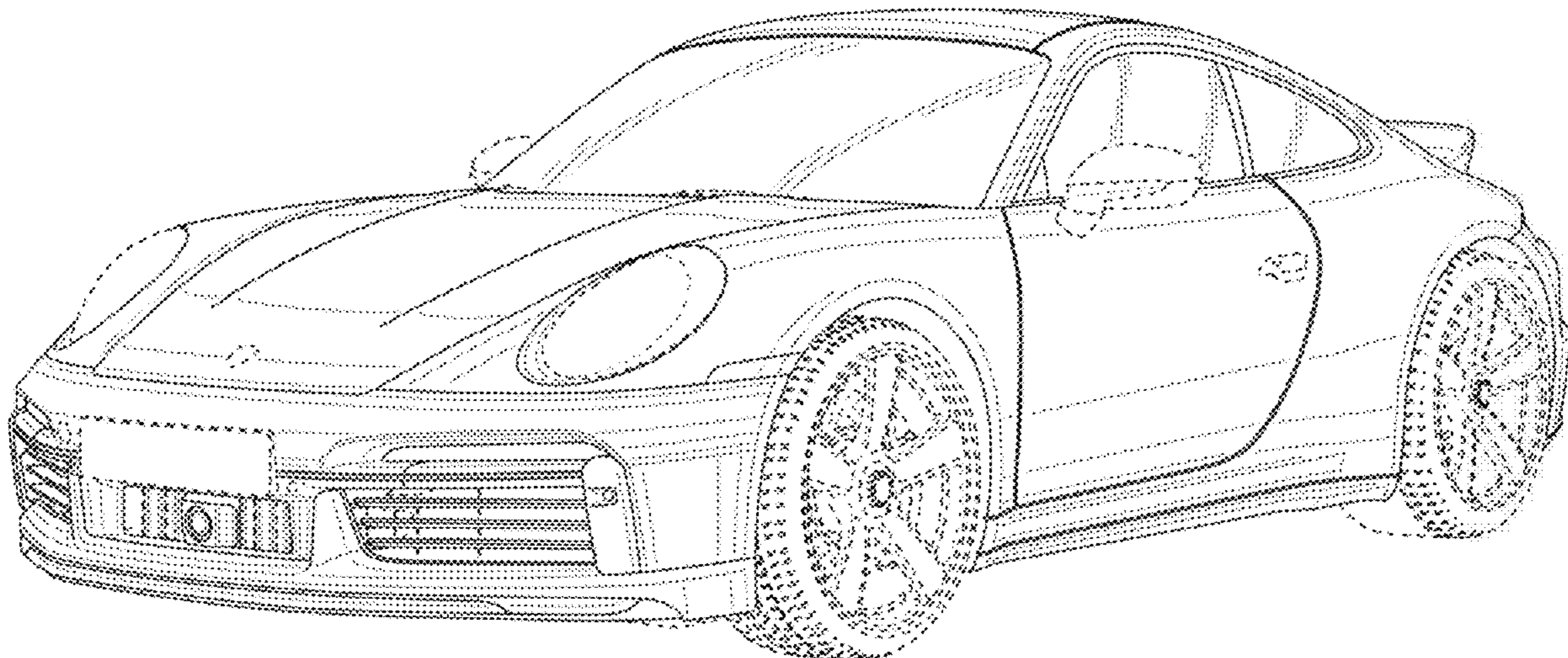
(57) **CLAIM**

The ornamental design for a motor vehicle body, toy vehicle body replica and/or other replica, as shown and described.

DESCRIPTION

FIG. 1 is a front perspective view of a motor vehicle body, toy vehicle body replica and/or other replica showing my new design;
FIG. 2 is a front view thereof;
FIG. 3 is a rear view thereof;
FIG. 4 is a left side view thereof, the right side being a mirror image thereof; and,
FIG. 5 is a top plan view thereof.
The broken lines shown throughout the drawing views are for environmental and illustrative purposes that form no part of the claimed design.

1 Claim, 5 Drawing Sheets



(56)

References Cited

U.S. PATENT DOCUMENTS

D881,075	S	*	4/2020	Larson	D12/92
D883,145	S	*	5/2020	Baum	D12/92
D883,146	S	*	5/2020	Baum	D12/92
D885,258	S	*	5/2020	Larson	D12/92
D887,900	S		6/2020	Stopka		
D897,902	S	*	10/2020	Scholz	D12/92
D897,903	S		10/2020	Scholz		
D897,904	S		10/2020	Stopka		
D913,854	S	*	3/2021	Lenglin	D12/92
D951,140	S	*	5/2022	Lenglin	D12/92
D951,141	S	*	5/2022	Verbrugge	D12/92

* cited by examiner

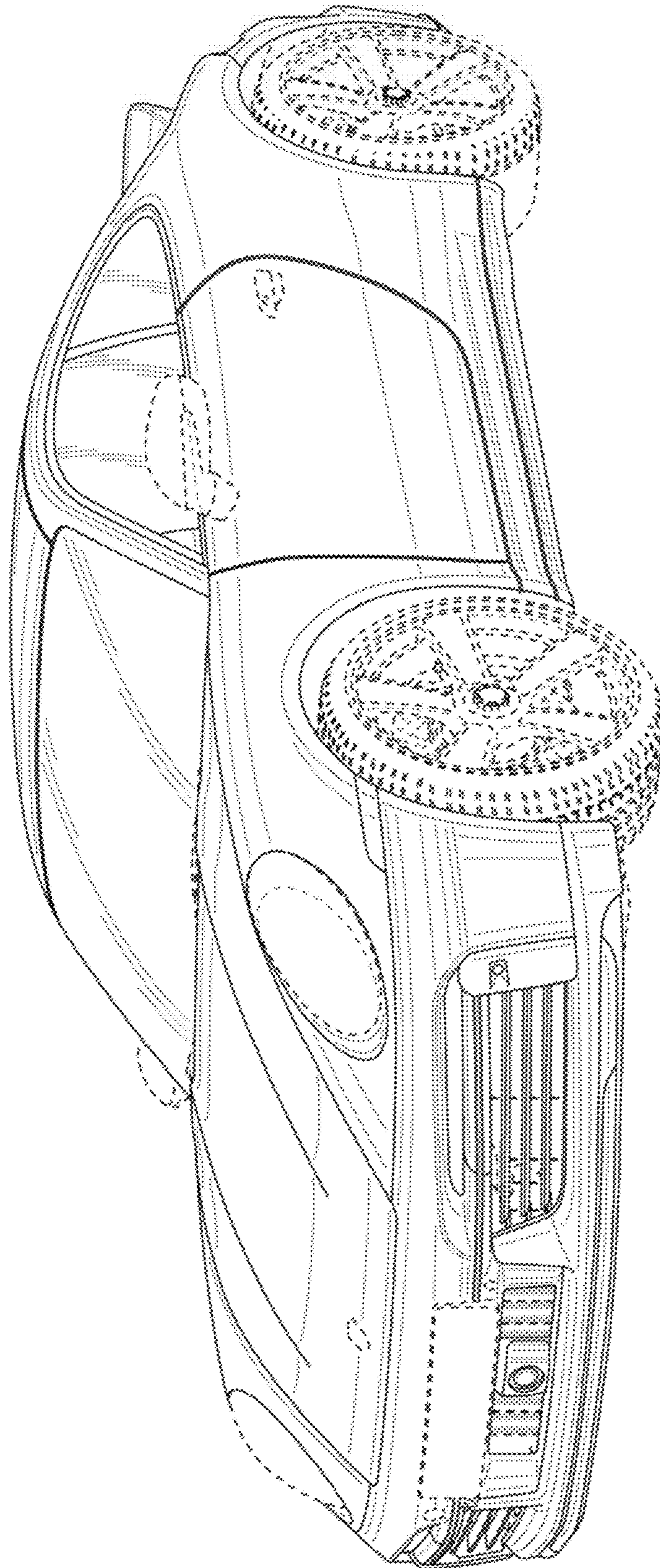


FIG. 1

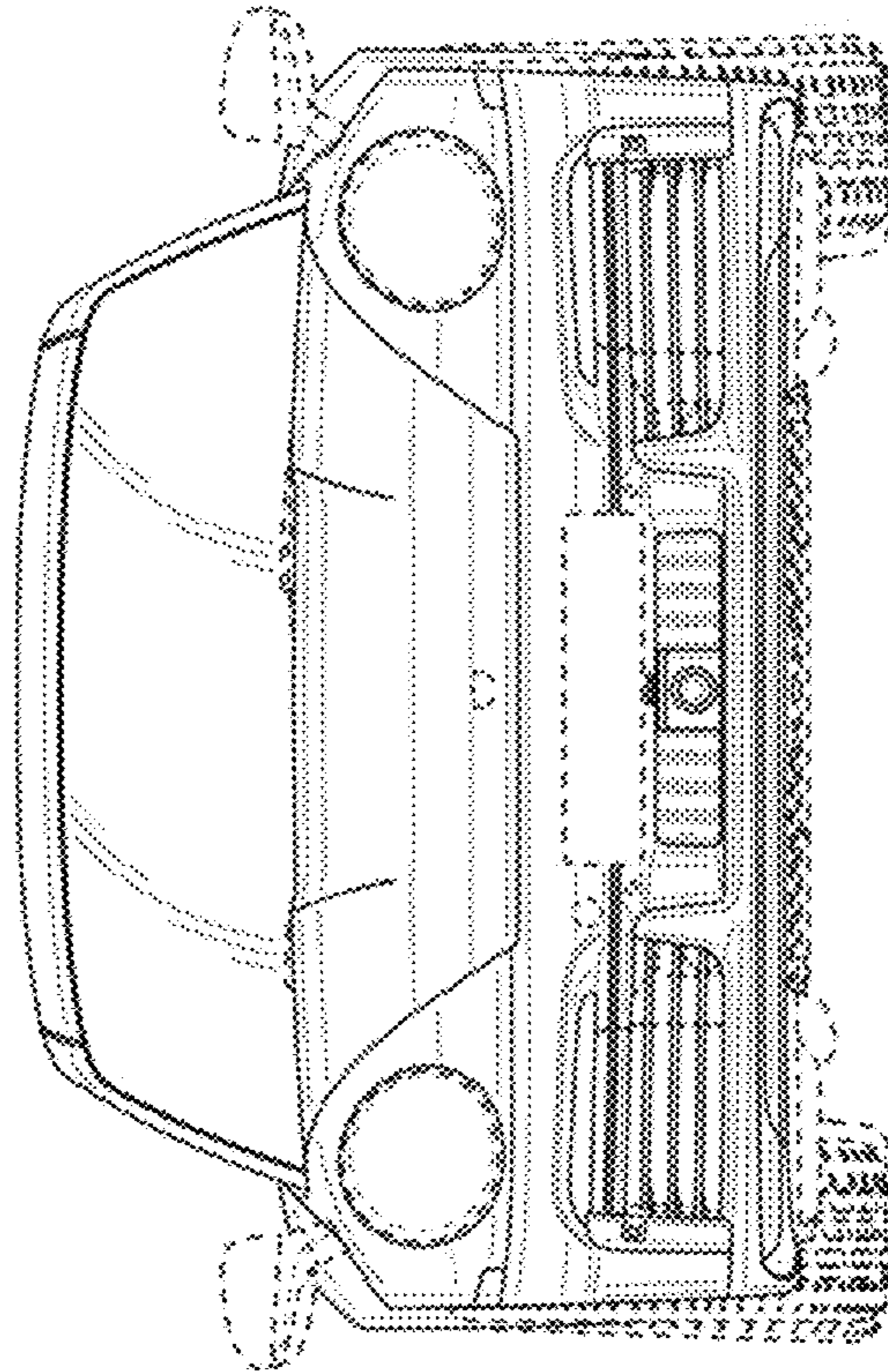


FIG. 2

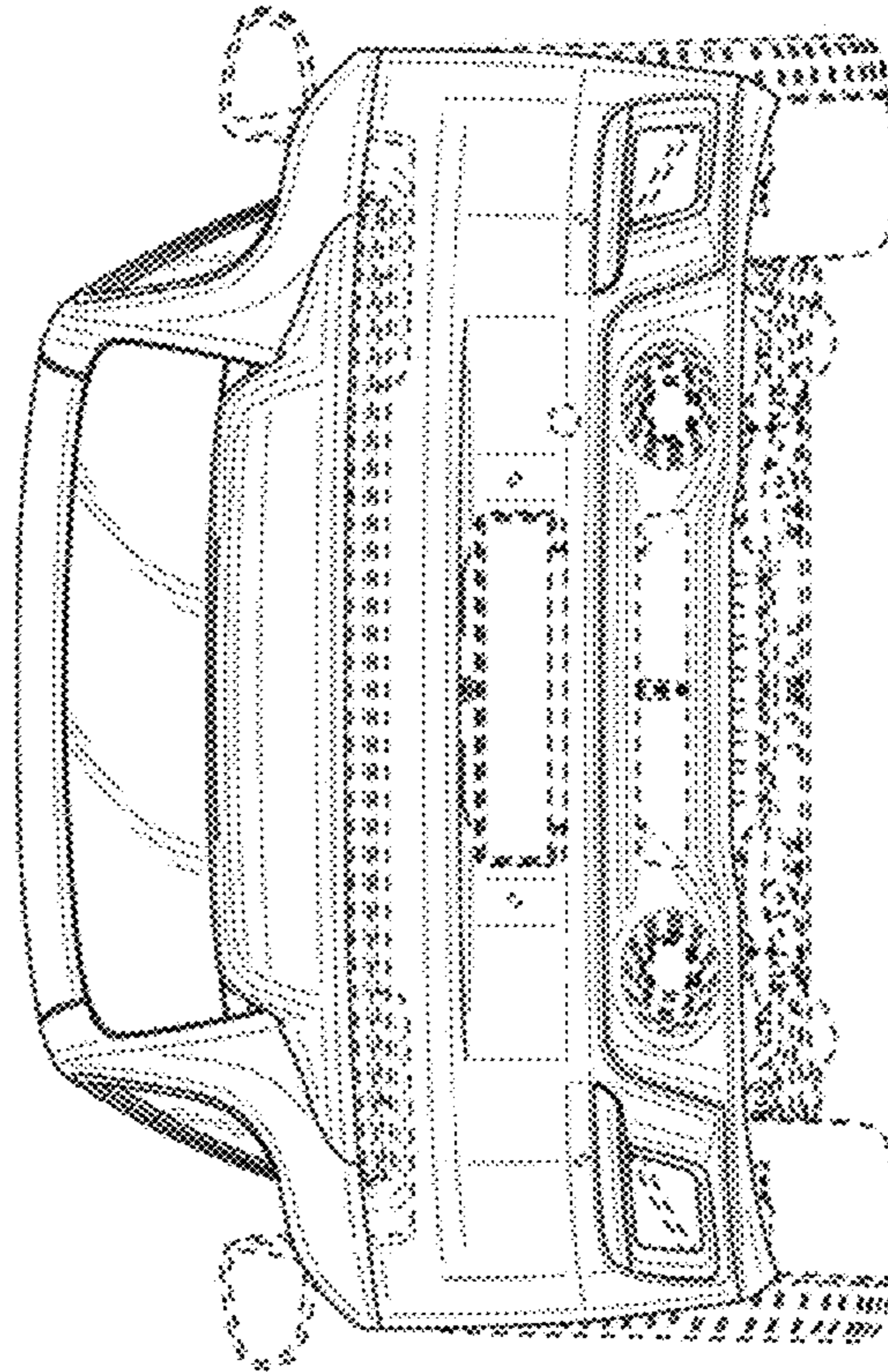


FIG. 3

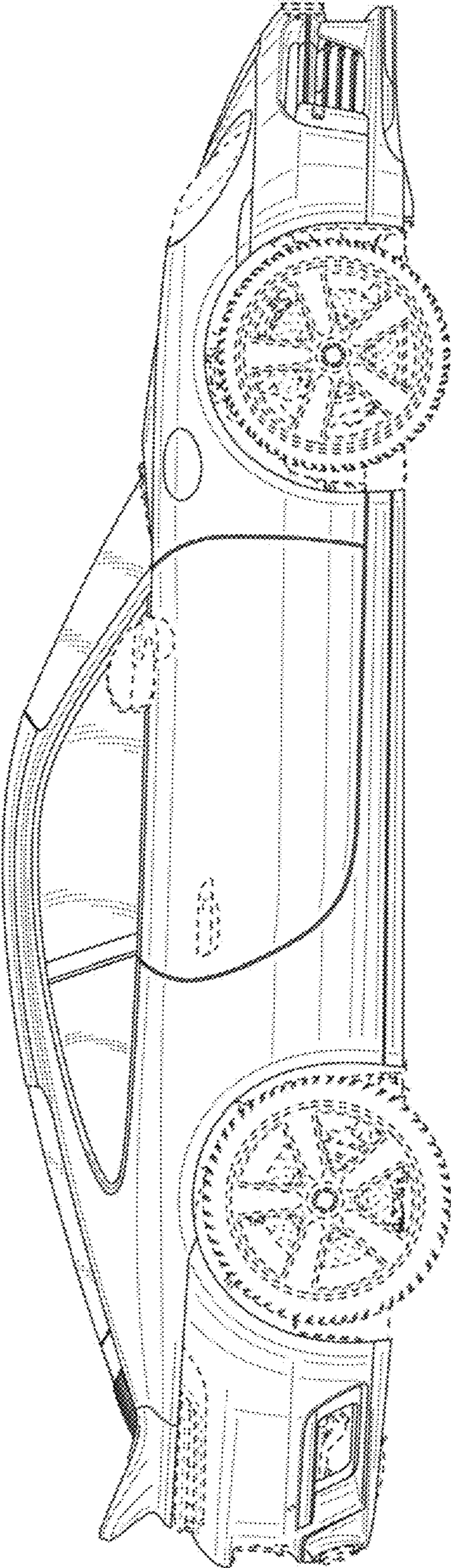


FIG. 4

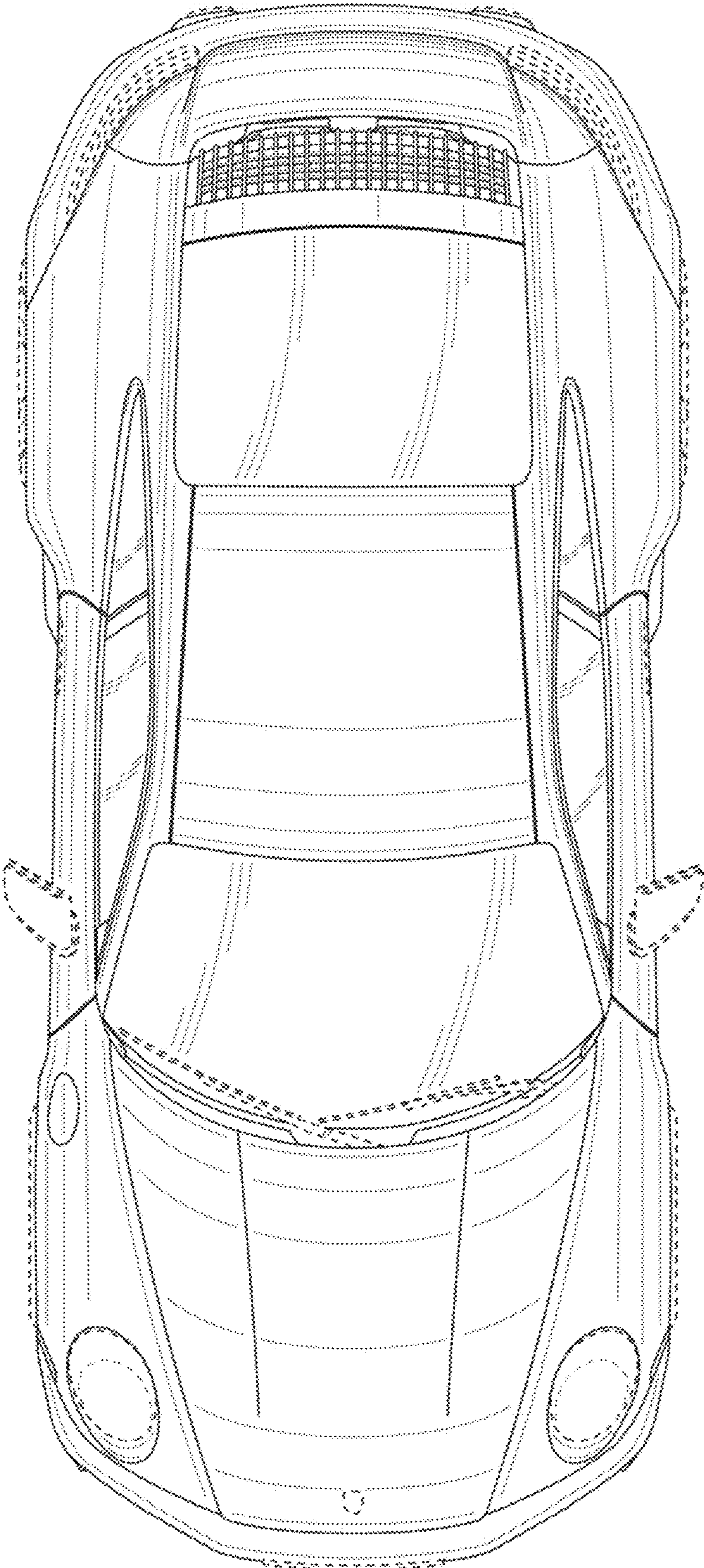


FIG. 5