

US00D960046S

(12) **United States Design Patent**  
**Yamashita**

(10) **Patent No.:** **US D960,046 S**

(45) **Date of Patent:** **\*\* Aug. 9, 2022**

(54) **MOTOR VEHICLE BODY, TOY REPLICA  
AND/OR OTHER REPLICA**

(71) Applicant: **Dr. Ing. h.c. F. Porsche  
Aktiengesellschaft, Stuttgart (DE)**

(72) Inventor: **Shuichi Yamashita, Gerlingen (DE)**

(73) Assignee: **Dr. Ing. h.c. F. Porsche  
Aktiengesellschaft**

(\*\*) Term: **15 Years**

(21) Appl. No.: **29/774,128**

(22) Filed: **Mar. 15, 2021**

(30) **Foreign Application Priority Data**

Sep. 16, 2020 (EM) ..... 8171789-0001

(51) **LOC (13) Cl.** ..... **12-08**

(52) **U.S. Cl.**  
USPC ..... **D12/91**

(58) **Field of Classification Search**  
USPC ..... D12/86, 90-92, 88, 164; D21/424, 433,  
D21/434, 533; 296/181.1-181.5, 183.1  
CPC ..... B62D 25/00; B62D 25/06; B62D 33/00;  
B62D 35/00

See application file for complete search history.

(56) **References Cited**

**U.S. PATENT DOCUMENTS**

D565,468 S *	4/2008	Abe	.....	D12/92
D646,205 S *	10/2011	Bittner	.....	D12/92
D668,182 S *	10/2012	Barba Franco	.....	D12/92
D683,269 S *	5/2013	Fuchigami	.....	D12/92
D684,900 S *	6/2013	Doyle	.....	D12/92
D686,536 S *	7/2013	McCabe	.....	D12/92
D695,645 S *	12/2013	Tase	.....	D12/91
D699,630 S *	2/2014	Abe	.....	D12/92

D710,761 S *	8/2014	Endo	.....	D12/92
D718,662 S *	12/2014	Ishizuka	.....	D12/92
D773,341 S *	12/2016	Liu	.....	D12/92
D790,401 S	6/2017	Scheinhütte		
D799,379 S *	10/2017	Komuro	.....	D12/92
D805,432 S	12/2017	Scheinhütte		
D805,433 S	12/2017	Scheinhütte		
D826,781 S	8/2018	Scheinhütte		
D830,231 S *	10/2018	Munakata	.....	D12/91
D830,905 S *	10/2018	Nakajima	.....	D12/91
D833,330 S *	11/2018	Sakai	.....	D12/91
D834,455 S	11/2018	Yamashita		
D836,489 S *	12/2018	Borkert	.....	D12/91
D838,627 S *	1/2019	Ino	.....	D12/91
D857,556 S	8/2019	Scheinhütte		
D858,354 S	9/2019	Scheinhütte		
D858,355 S	9/2019	Scheinhütte		
D867,932 S *	11/2019	Yamashita	.....	D12/92
D871,970 S *	1/2020	Kusunoki	.....	D12/92
D896,128 S *	9/2020	Utsunomiya	.....	D12/91

(Continued)

*Primary Examiner* — Melody N Brown

(74) *Attorney, Agent, or Firm* — RatnerPrestia

(57) **CLAIM**

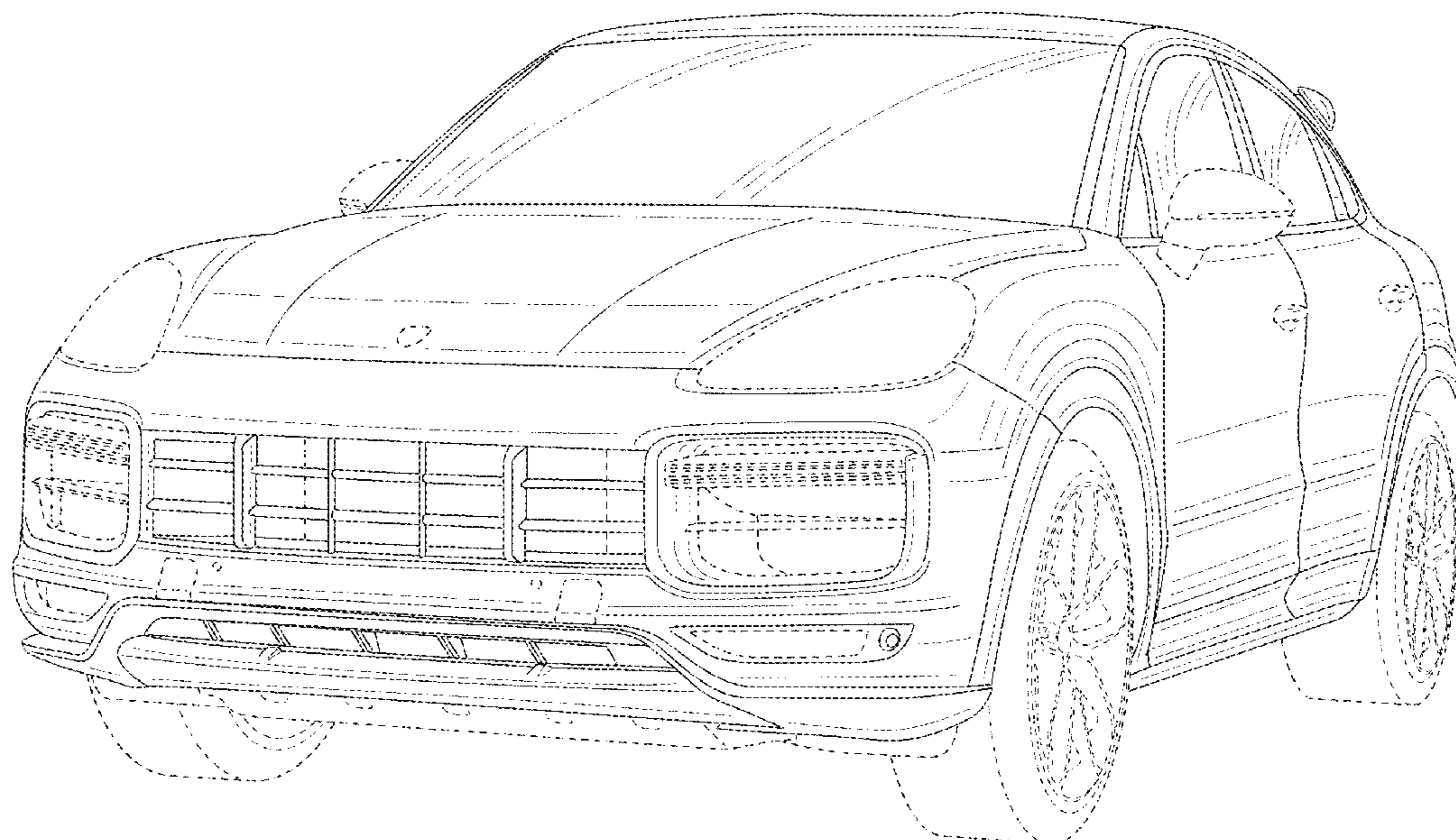
The ornamental design for a motor vehicle body, toy replica and /or other replica, as shown and described.

**DESCRIPTION**

FIG. 1 is a front perspective view of a motor vehicle body, toy replica and/or other replica showing my new design; FIG. 2 is a front view thereof; FIG. 3 is a rear view thereof; FIG. 4 is a right side view thereof; FIG. 5 is a left side view thereof; and, FIG. 6 is a top plan view thereof.

The broken lines shown throughout the drawing views are for environmental and illustrative purposes that form no part of the claimed design.

**1 Claim, 6 Drawing Sheets**



(56)

**References Cited**

U.S. PATENT DOCUMENTS

D906,179 S	*	12/2020	Fuchigami .....	D12/92
D913,855 S	*	3/2021	Wakabayashi .....	D12/92
D924,728 S	*	7/2021	Burki .....	D12/91
D946,469 S	*	3/2022	Taubert .....	D12/91
D951,142 S	*	5/2022	Schmölz .....	D12/92

\* cited by examiner

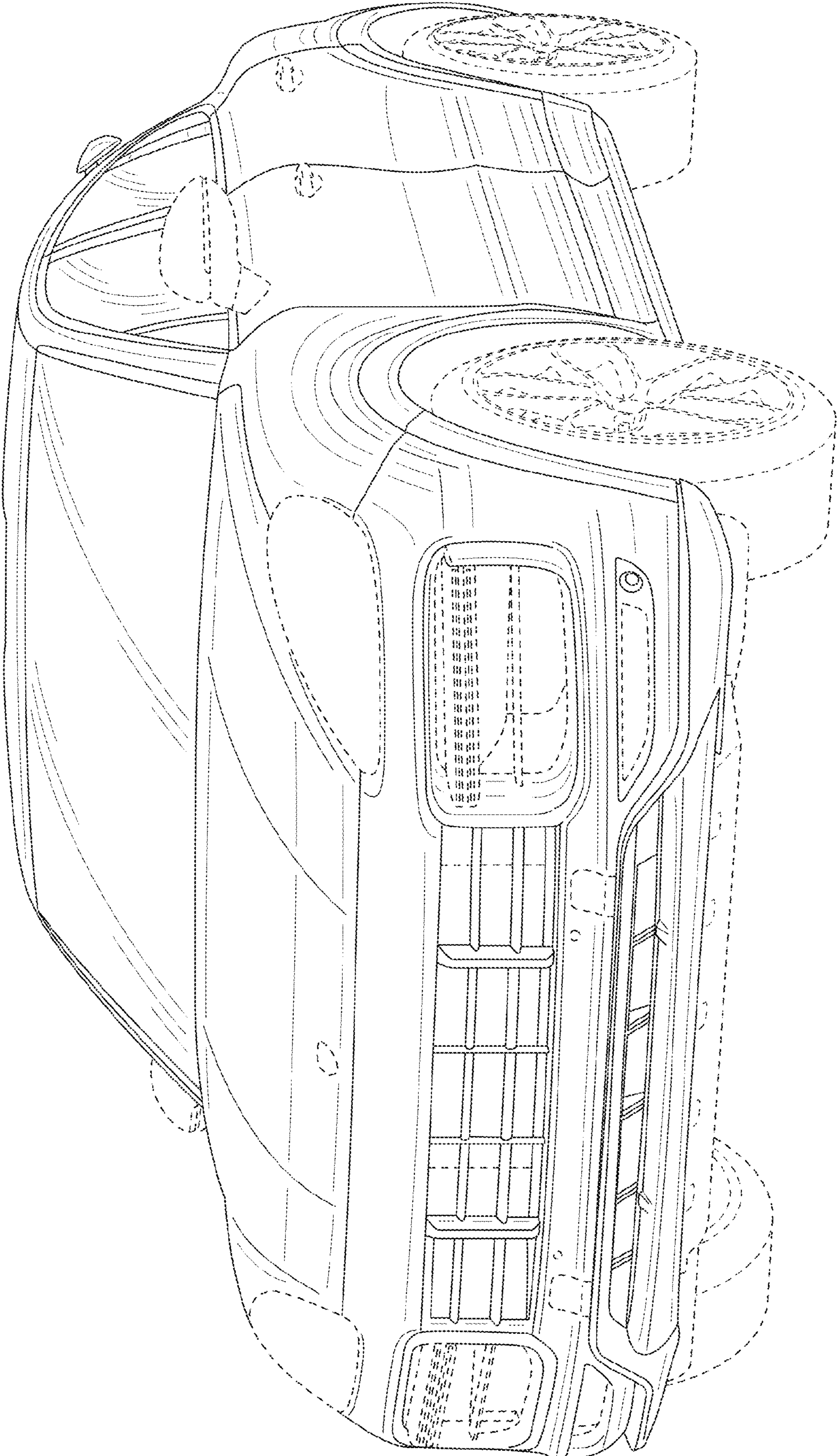


FIG. 1

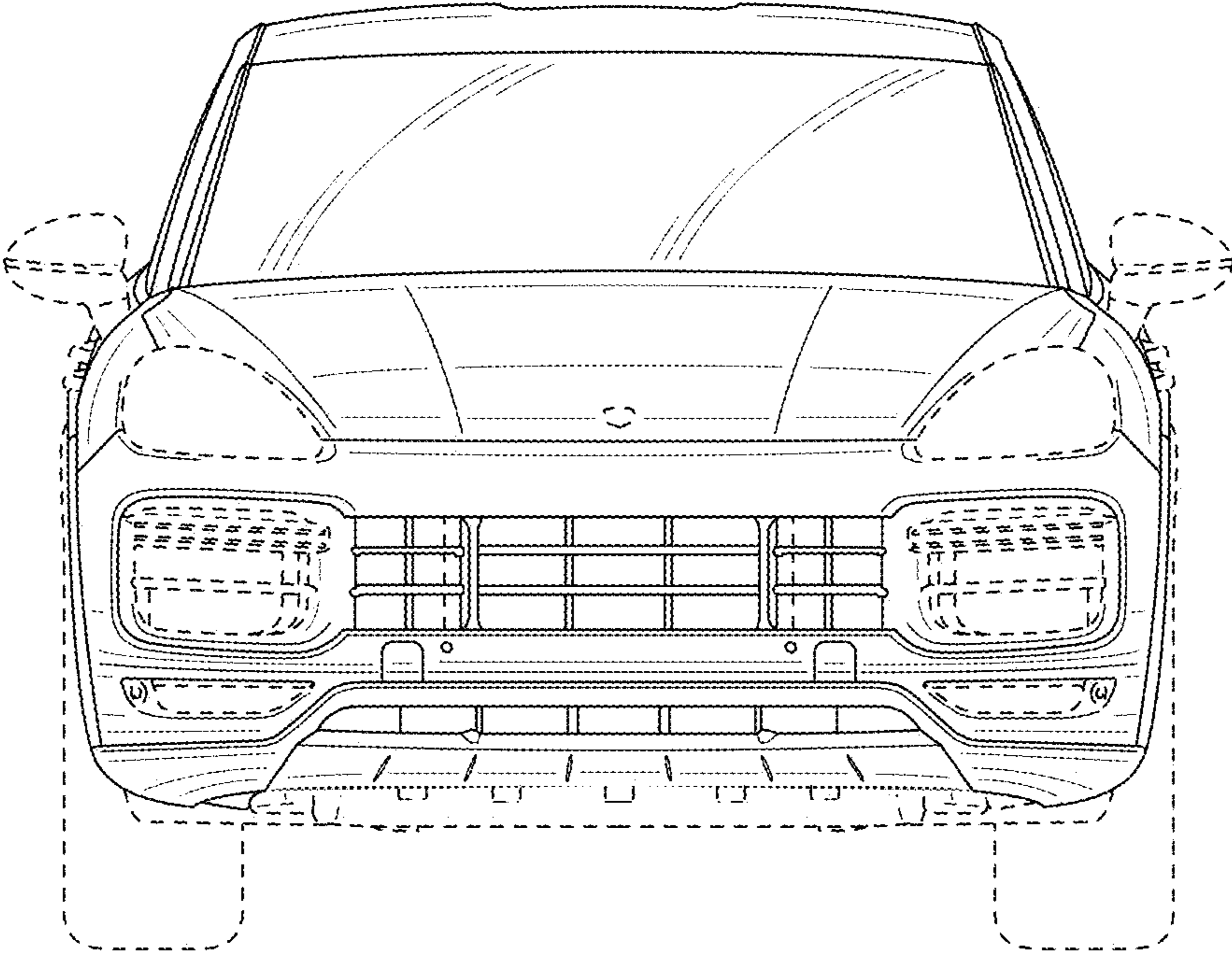


FIG. 2

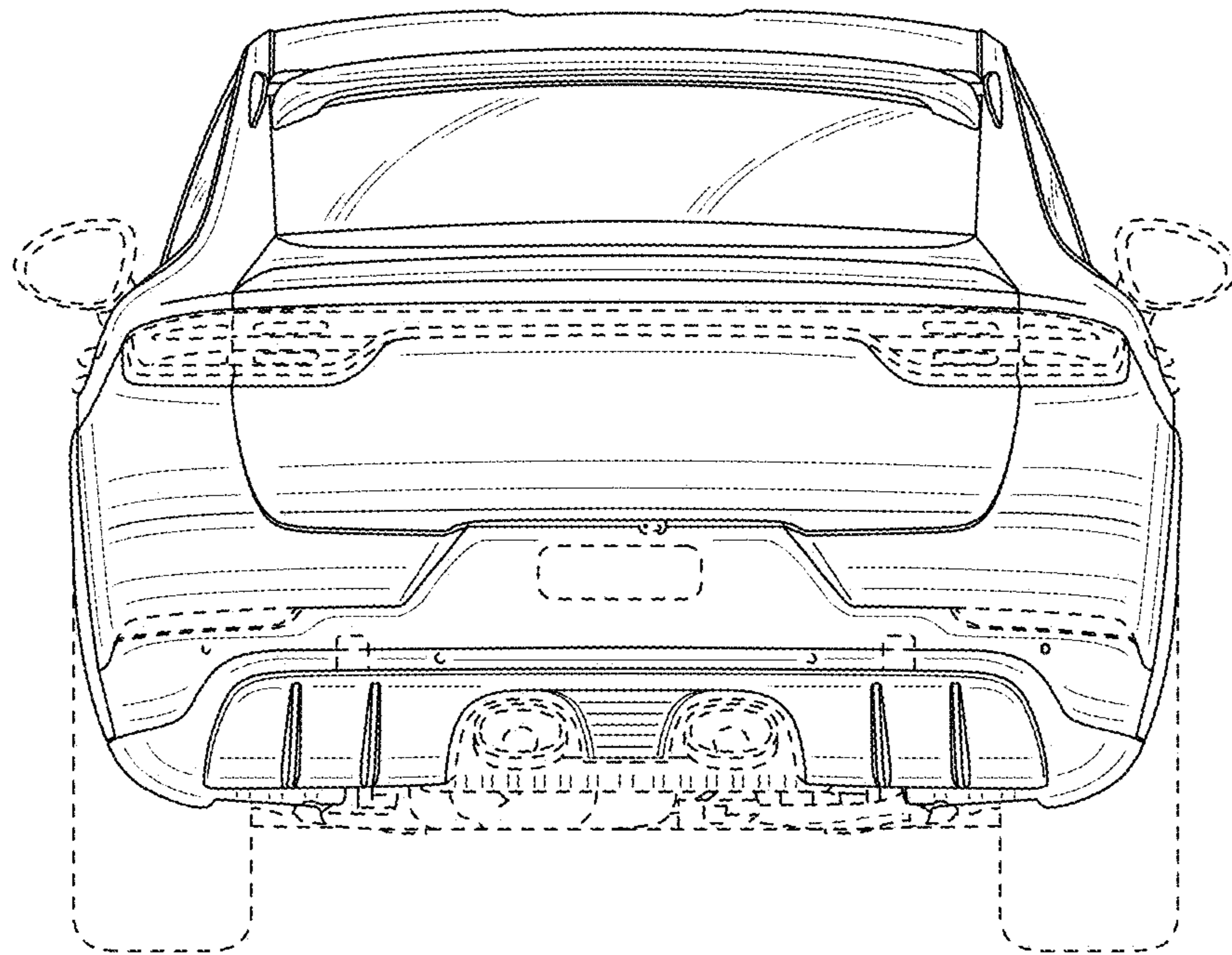


FIG. 3

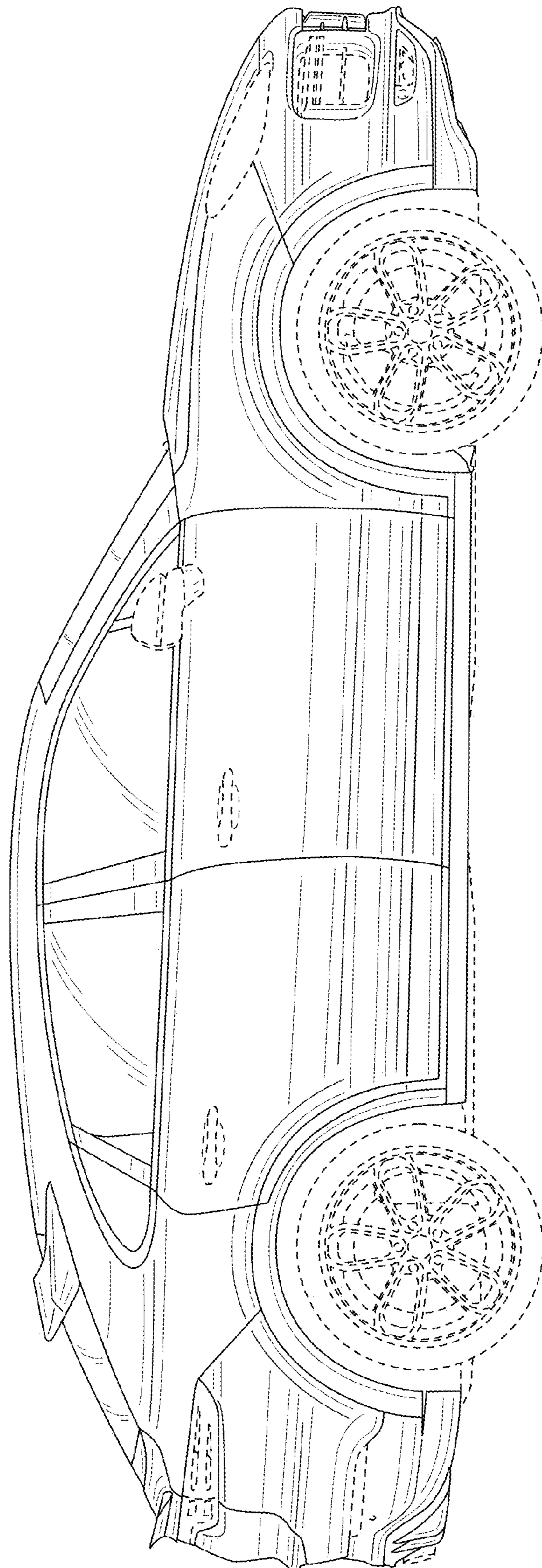


FIG. 4

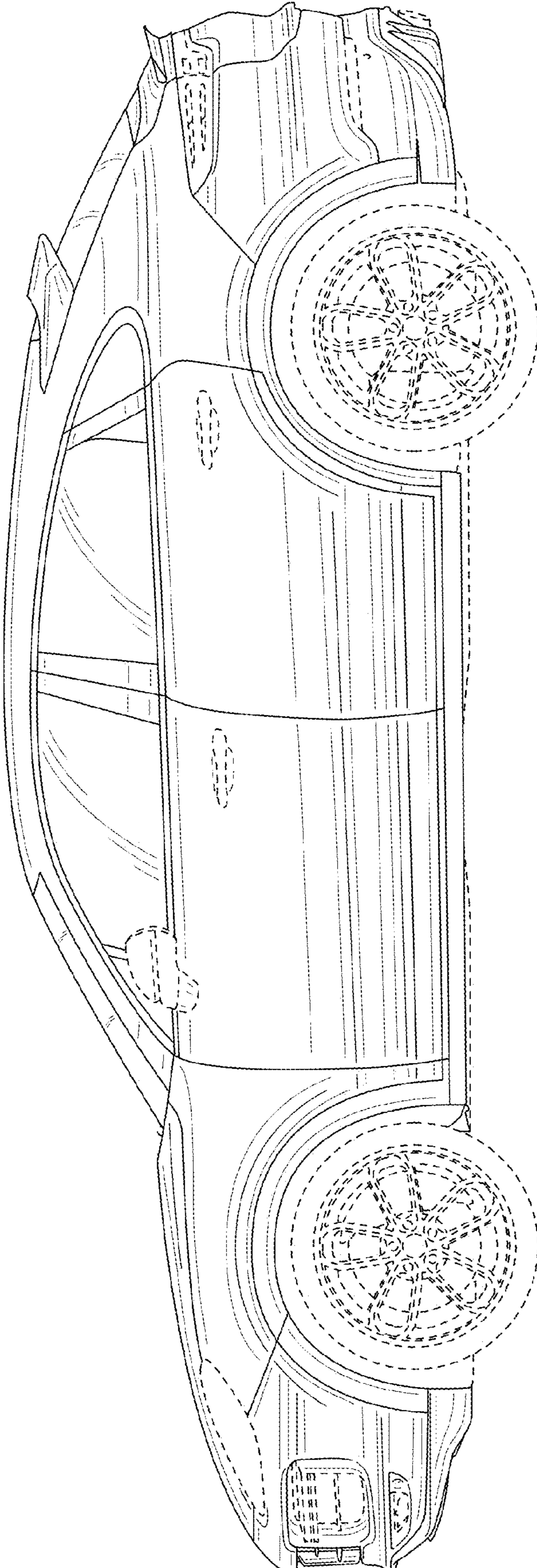


FIG. 5

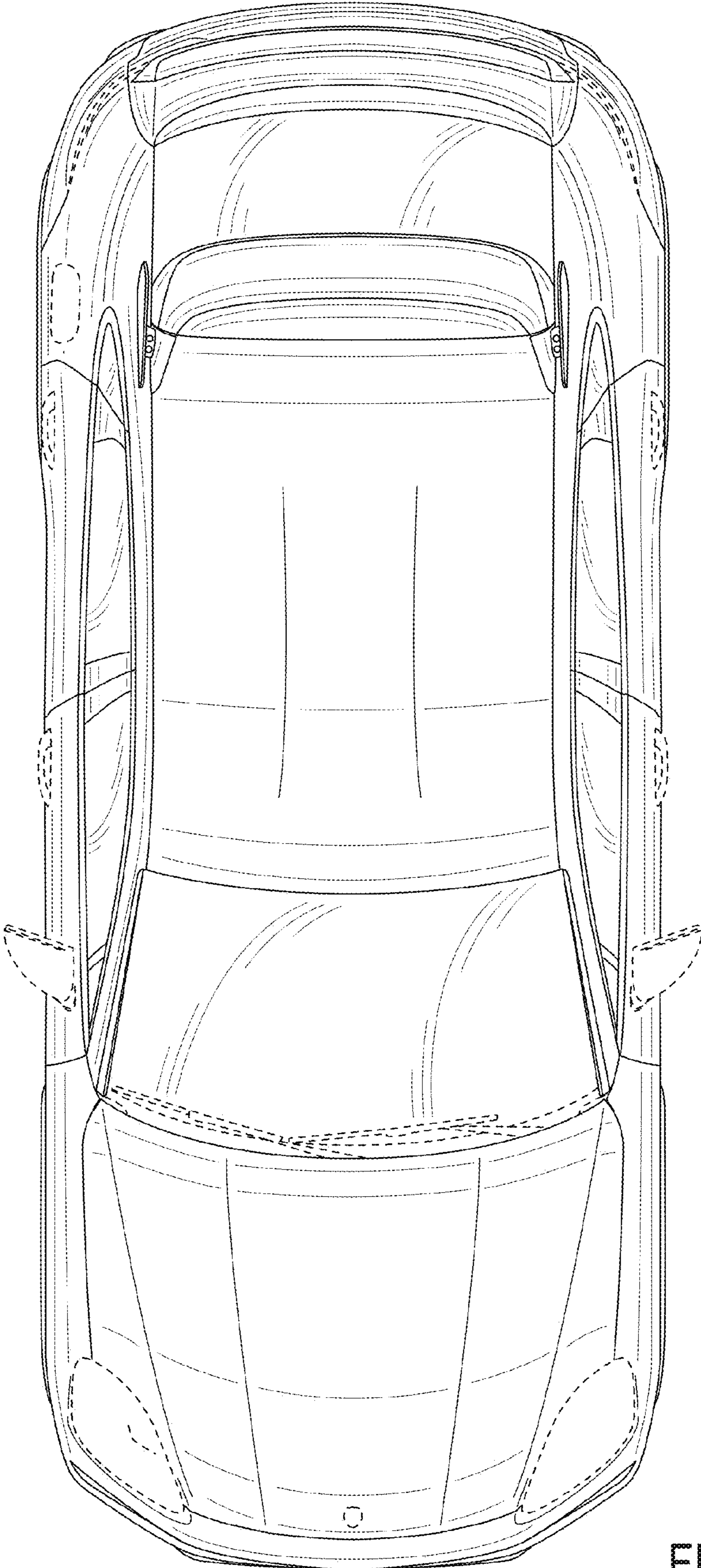


FIG. 6