



US00D960042S

(12) **United States Design Patent** (10) **Patent No.:** **US D960,042 S**
Mouquet et al. (45) **Date of Patent:** **** Aug. 9, 2022**

(54) **BELT BUCKLE**
(71) Applicant: **HERMES SELLIER (Société par actions simplifiée)**, Paris (FR)
(72) Inventors: **Philippe Mouquet**, Paris (FR); **Catherine de Karolyi**, Paris (FR)
(**) Term: **15 Years**
(21) Appl. No.: **35/511,992**
(22) Filed: **Dec. 9, 2020**
(80) **Hague Agreement Data**

D536,281 S * 2/2007 Mouquet D11/234
D556,081 S * 11/2007 Mouquet D11/87
D704,590 S * 5/2014 Liao D11/86
D713,294 S * 9/2014 Mouquet D11/231
D715,178 S * 10/2014 Venturini Fendi A44C 5/00
D11/87
D830,227 S * 10/2018 Mouquet D11/231
D856,846 S * 8/2019 Mouquet D11/231
D857,551 S * 8/2019 Mouquet D11/231
D857,552 S * 8/2019 Mouquet D11/231
D915,935 S * 4/2021 Mouquet D11/231
D915,937 S * 4/2021 Dumas D11/231
D915,939 S * 4/2021 Mouquet D11/231
D915,940 S * 4/2021 Mouquet D11/231
D918,770 S * 5/2021 Mouquet D11/231
D928,655 S * 8/2021 Mouquet D11/232
D938,304 S * 12/2021 Della Valle D11/218

Int. Filing Date: **Dec. 9, 2020**
Int. Reg. No.: **DM/211742**
Int. Reg. Date: **Dec. 9, 2020**
Int. Reg. Pub. Date: **Jun. 11, 2021**

(51) **LOC (13) Cl.** **02-07**
(52) **U.S. Cl.**
USPC **D11/232**

(58) **Field of Classification Search**
USPC D11/200, 202, 229, 61, 201, 206, 209, D11/213, 214, 221, 226, 230, 231, 232, D11/86, 87, 234, 233, 235, 236, 237, 238, D11/1-2, 22, 40, 79; 24/163 R, 170, 335, 24/616, 173, 177-179, 191, 194-195, 24/197, 200, 578.11, 578.1; D2/976, 978, D2/971, 853, 624; 2/300
CPC A44B 11/25; A44B 11/26; A44B 11/00; A44B 11/001; A44B 11/005; A44B 11/06; A44B 11/04; A44B 11/22; A44B 11/24; A44C 15/004; A44C 1/00
See application file for complete search history.

(56) **References Cited**
U.S. PATENT DOCUMENTS

D523,377 S * 6/2006 Mouquet D11/234
D525,557 S * 7/2006 Hardy D11/81

OTHER PUBLICATIONS

[Online] "Farwest belt buckle & Rayure strap 32 mm" https://www.hermes.com/us/en/product/farwest-belt-buckle-rayure-strap-32mm-U_BELT_32_SANGLEpH081655CB86pH080063UAAAM/. Retrieved Mar. 25, 2022.*

* cited by examiner

Primary Examiner — Melanie Pellegrini

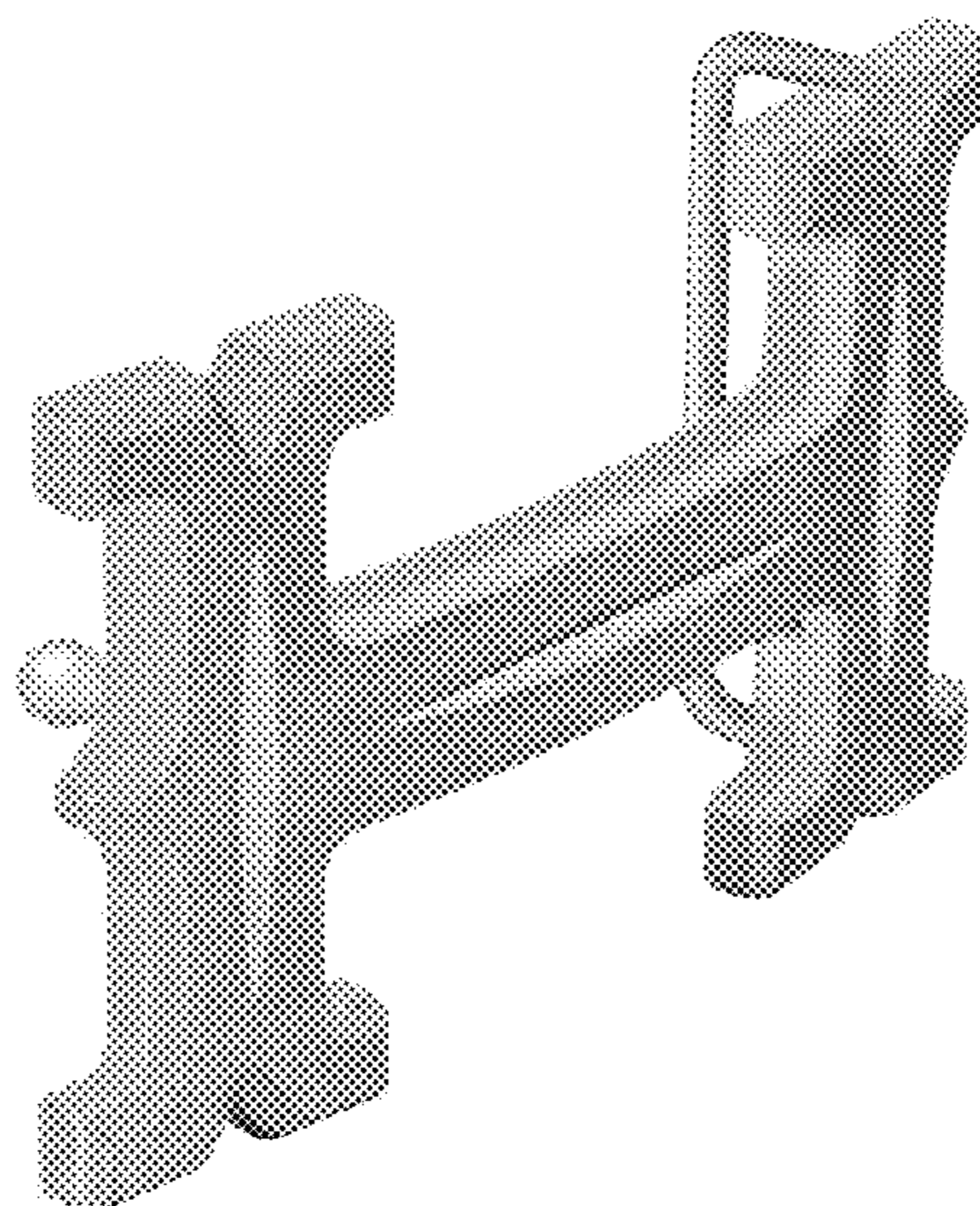
(57) **CLAIM**

The ornamental design for for a belt buckle, as shown and described.

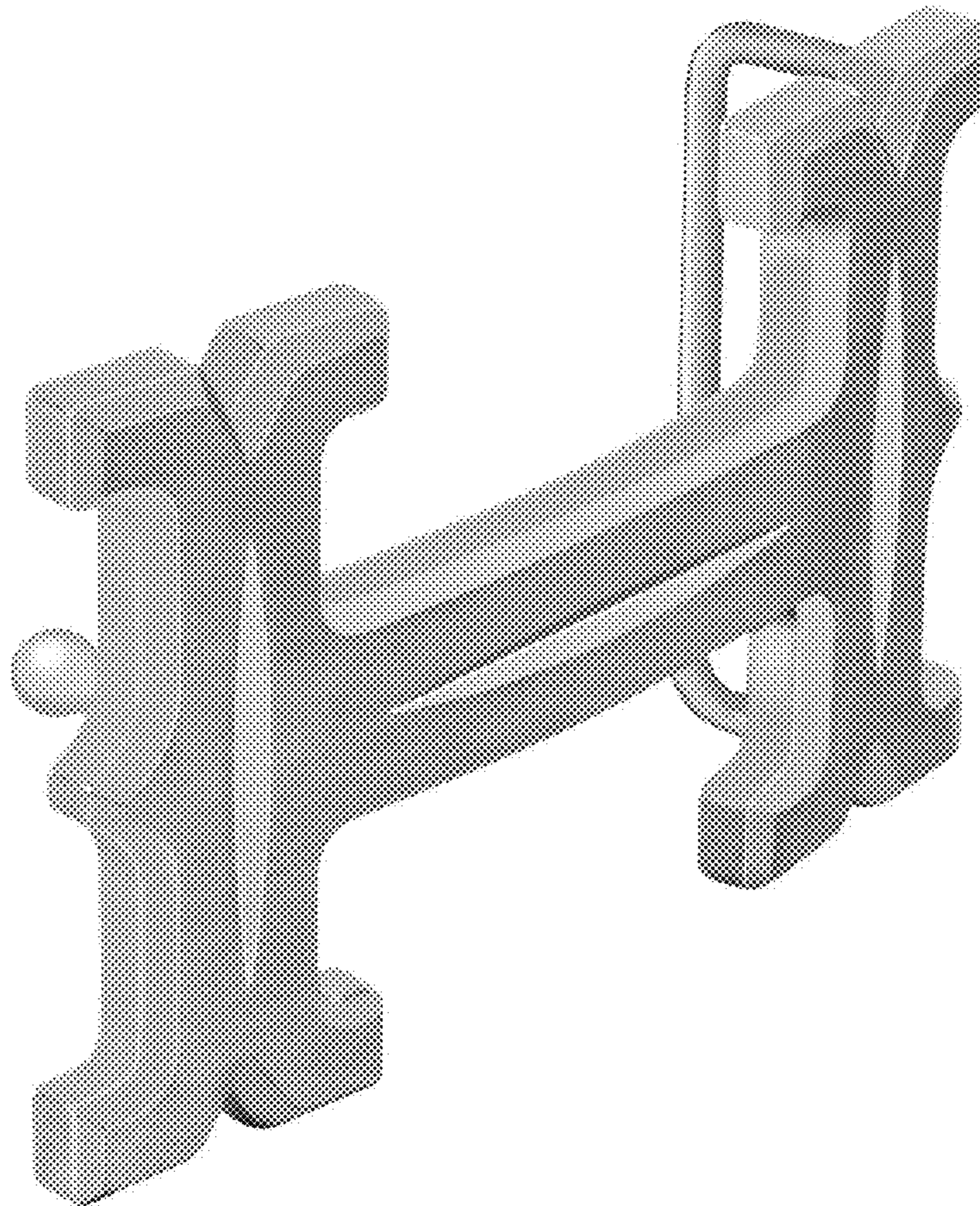
DESCRIPTION

- 1. Belt buckle
- 1.1 : Perspective
- 1.2 : Front
- 1.3 : Back
- 1.4 : Right
- 1.5 : Left
- 1.6 : Top
- 1.7 : Bottom

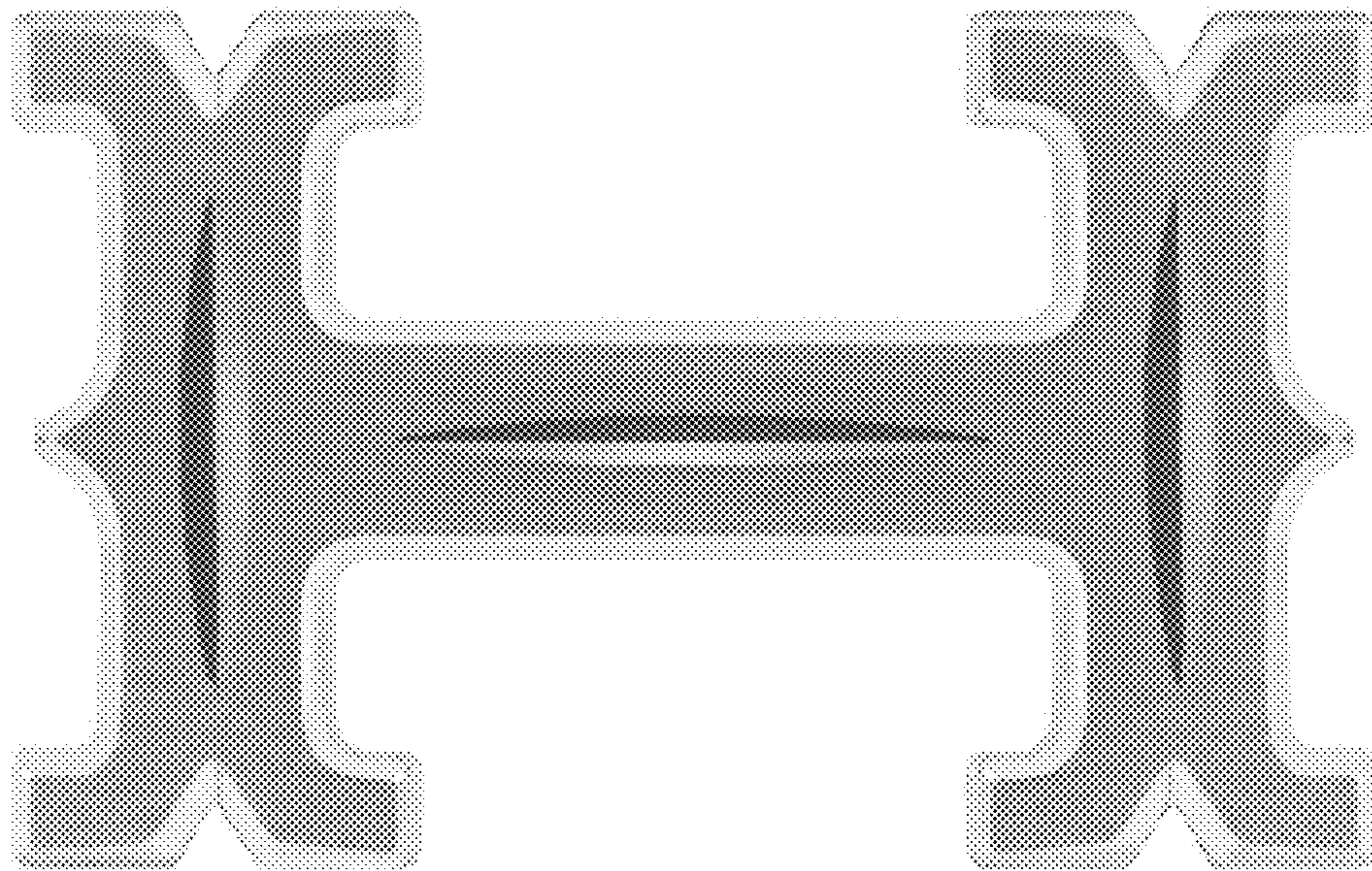
1 Claim, 7 Drawing Sheets



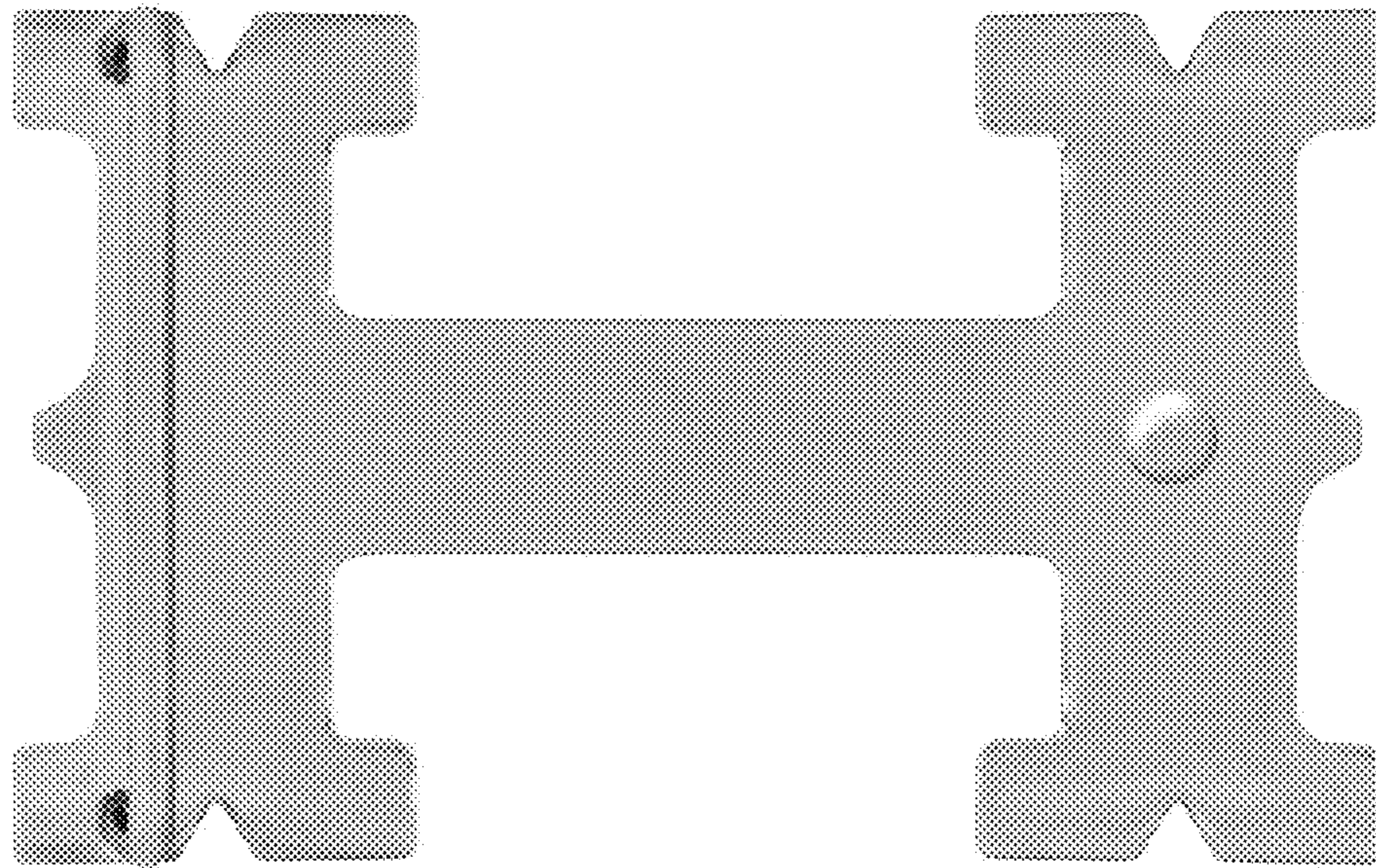
1.1



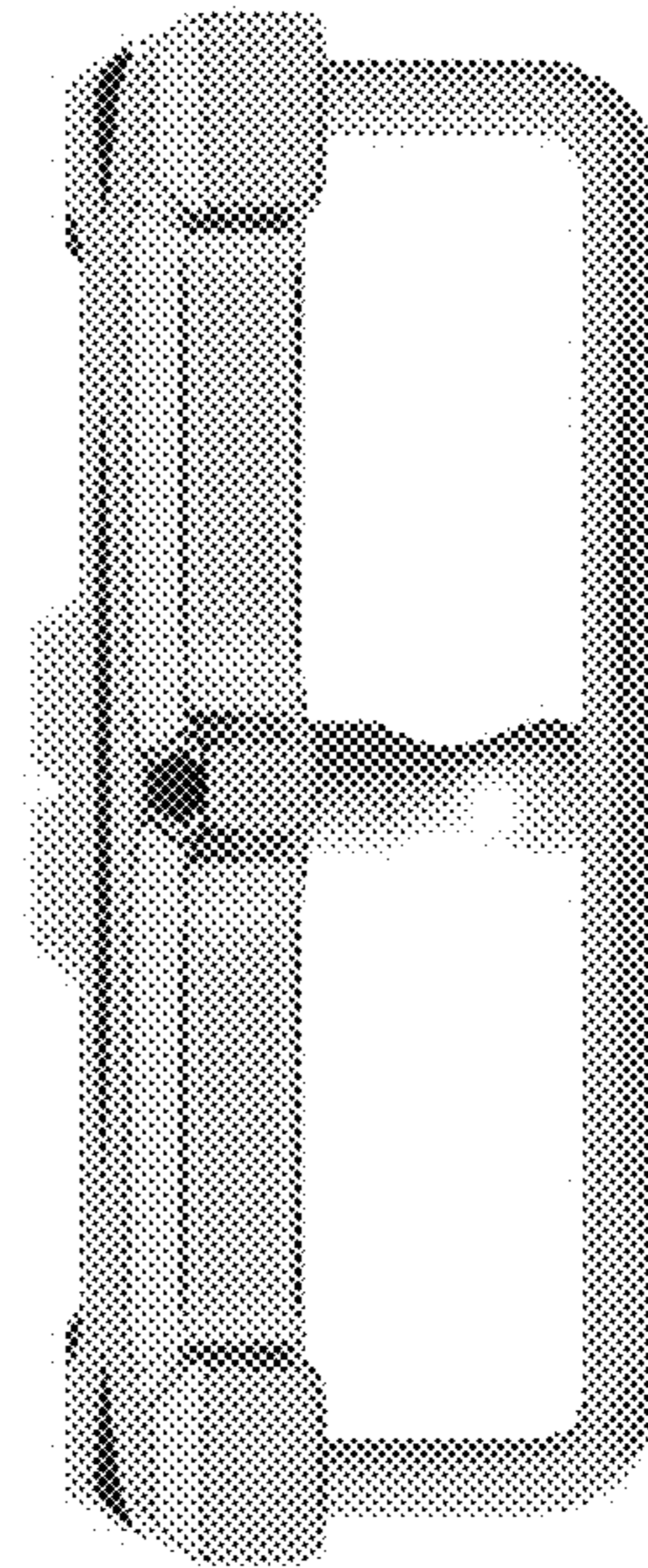
1.2



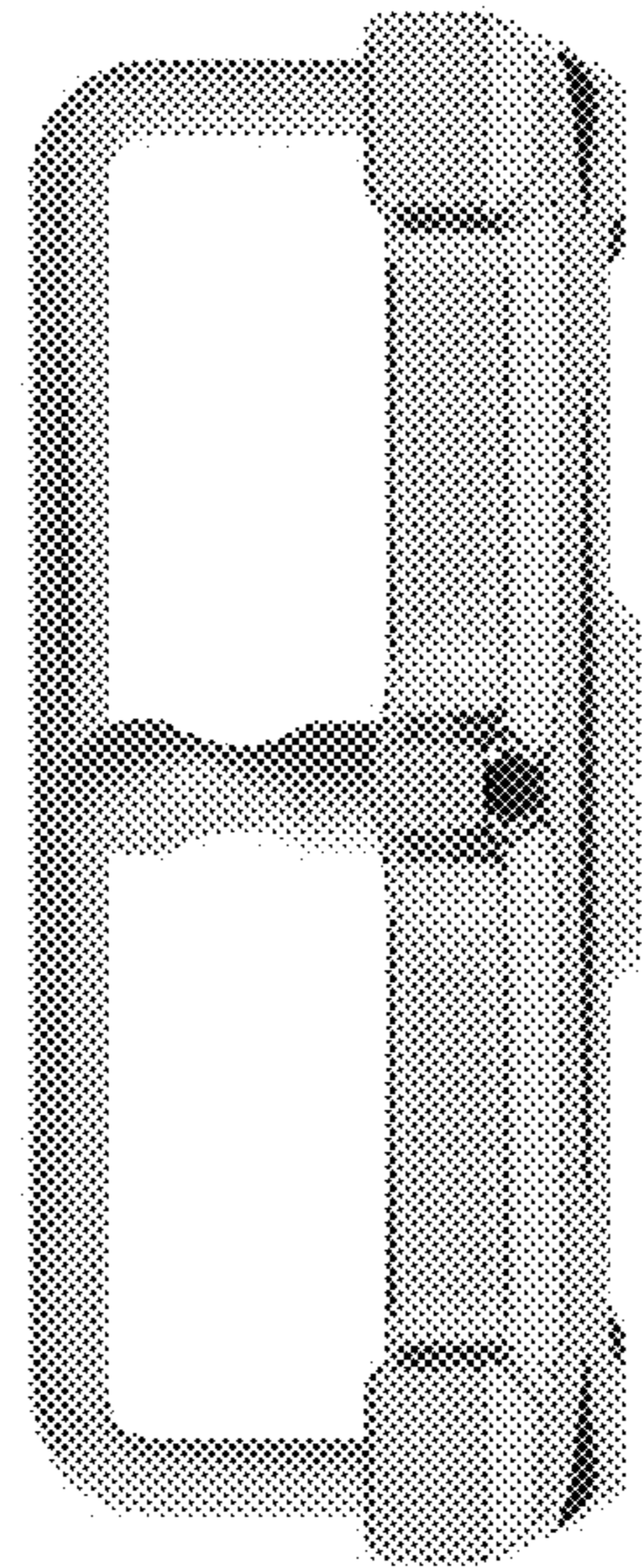
1.3



1.4



1.5



1.6



1.7

