



US00D960039S

(12) **United States Design Patent**
Montagano

(10) **Patent No.:** **US D960,039 S**

(45) **Date of Patent:** **** Aug. 9, 2022**

(54) **PROPAGATION TRAY**

(71) Applicant: **MONDI PRODUCTS LTD.,**
Vancouver (CA)

(72) Inventor: **Michael Montagano,** Vancouver (CA)

(73) Assignee: **MONDI PRODUCTS LTD.,**
Vancouver (CA)

(**) Term: **15 Years**

(21) Appl. No.: **29/813,784**

(22) Filed: **Nov. 1, 2021**

Related U.S. Application Data

(62) Division of application No. 29/699,730, filed on Jul. 29, 2019, now Pat. No. Des. 942,890.

(30) **Foreign Application Priority Data**

Apr. 24, 2019 (CA) CA 187138

(51) **LOC (13) Cl.** **11-02**

(52) **U.S. Cl.**
USPC **D11/155**

(58) **Field of Classification Search**
USPC D3/304, 315; D6/403, 404, 405, 680.2;
D26/55

CPC A01G 9/02
See application file for complete search history.

(56) **References Cited**

U.S. PATENT DOCUMENTS

D210,750 S 4/1968 Paxton
D259,777 S 7/1981 Ehrreich
D259,867 S 7/1981 Kenyon et al.
4,349,124 A 9/1982 Faller
D268,981 S * 5/1983 Monson 426/243

(Continued)

OTHER PUBLICATIONS

Monster Gardens website, Mondi black and white propagation tray, Publication date unknown, [site visited Feb. 21, 2021], Available on the Internet URL <https://nnonstergardens.com/nnonsti-black-and-white-propagation-tray-10-x-20-25-pack.html> (Year: 2021).

(Continued)

Primary Examiner — S. Bryan Reinholdt, Jr.

(74) *Attorney, Agent, or Firm* — Moore & Van Allen PLLC; Jeffrey R. Gray

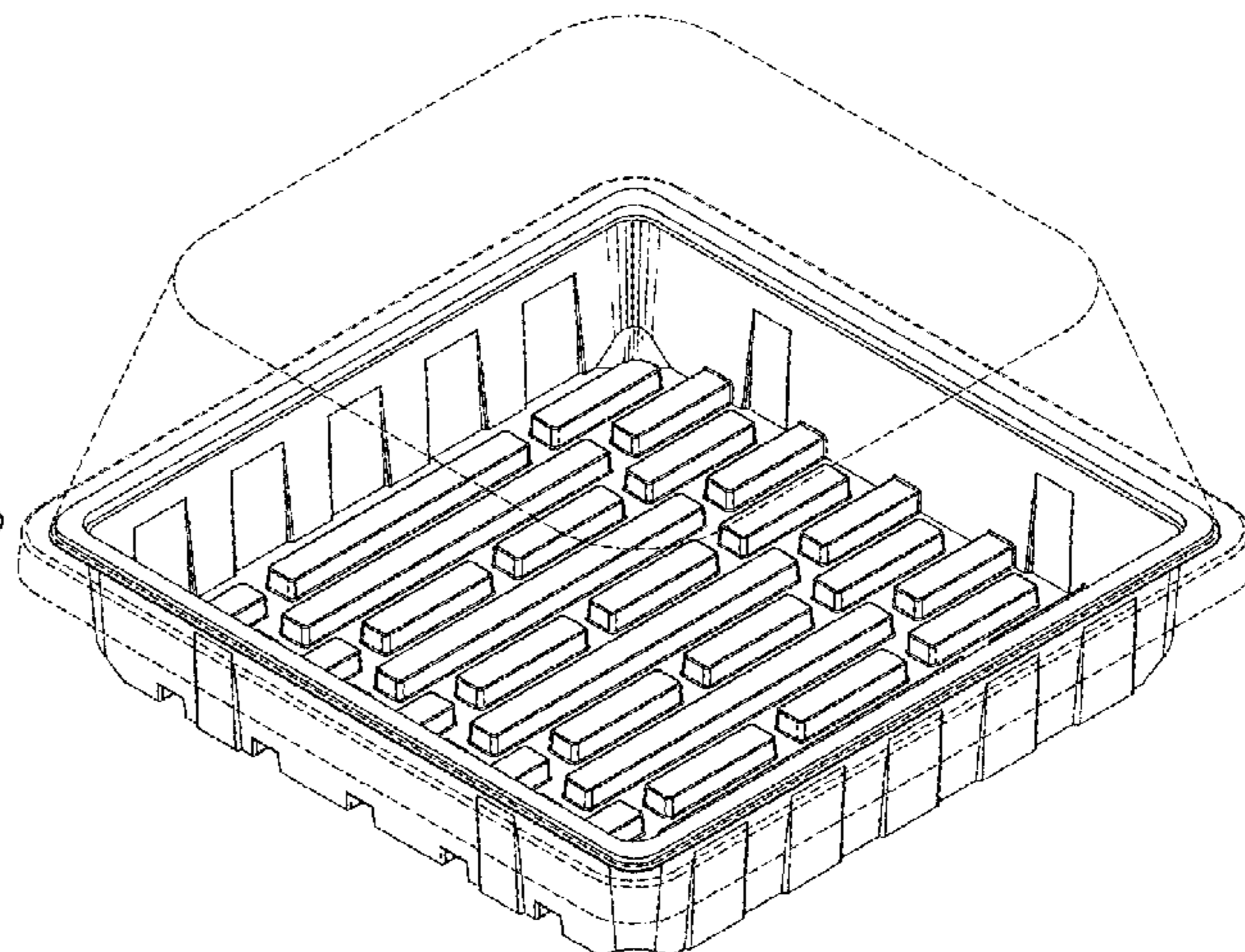
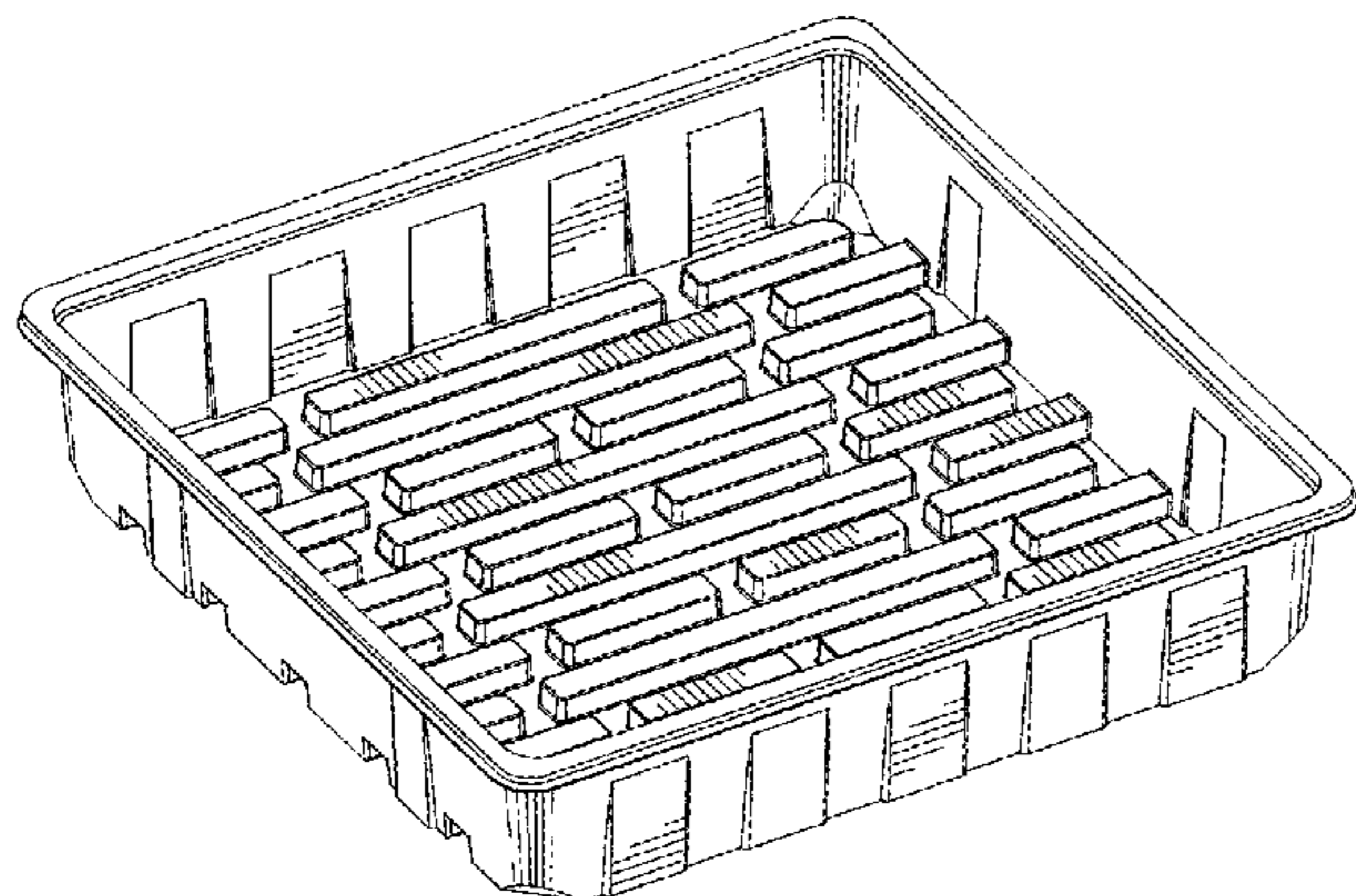
(57) **CLAIM**

The ornamental design for a propagation tray, as shown and described.

DESCRIPTION

FIG. 1 is a front perspective view of a propagation tray; FIG. 2 is a front view of the propagation tray of FIG. 1; FIG. 3 is a side perspective view of the propagation tray of FIG. 1; FIG. 4 is a side view of the propagation tray of FIG. 1; FIG. 5 is a top perspective view of the propagation tray of FIG. 1; FIG. 6 is an enlarged detail view of area 6 circumscribed within the propagation tray of FIG. 5; FIG. 7 is a bottom plan view of the propagation tray of FIG. 1; FIG. 8 is a perspective view of the propagation tray of FIG. 1 is a use configuration with environment; FIG. 9 is a perspective view of the propagation tray of FIG. 1 is a use configuration with environment; and, FIG. 10 is a perspective view of the propagation tray of FIG. 1 in a use configuration with environment. The dot dash broken lines in FIGS. 5 and 6 denote the boundaries of the enlargements that form no part of the claimed design. The evenly spaced broken lines in FIGS. 8, 9, and 10 depict environmental subject matter that forms no part of the claimed design.

1 Claim, 7 Drawing Sheets



(56)

References Cited

U.S. PATENT DOCUMENTS

D463,202	S	9/2002	Smith	
D558,453	S	1/2008	Richter	
D653,158	S	1/2012	Wardenburg	
D654,162	S	2/2012	Sykes	
D727,791	S	4/2015	Montagano	
D750,996	S	3/2016	Butler et al.	
D793,161	S	8/2017	Fullmer et al.	
D831,532	S	10/2018	Larsen	
D883,020	S *	5/2020	Hollinger D7/409
D933,523	S *	10/2021	Montagano D11/155
D942,889	S *	2/2022	Montagano D11/155
D942,890	S *	2/2022	Montagano D11/155
D942,891	S *	2/2022	Montagano D11/155
2016/0143235	A1	5/2016	Torres et al.	

OTHER PUBLICATIONS

Mondi website, Propagation Tray 1020, Earliest publication date on wayback machine Oct. 27, 2020, [site visited Feb. 21, 2021], Available on the Internet URL <https://web.archive.org/web/20201027061831/https://mondiproducts.com/product/propagation-tray-1020-no-holes/> (Year: 2020).

Growershouse website, Mondi Propagation Trays 10x20 with Holes, Publication date unknown, [site visited Feb. 21, 2021], Available on the Internet URL <https://growershouse.com/mondi-propagation-trays-10-x-20-with-holes> (Year: 2021).

Amazon website, Mondi 10"x20" Tray, Earliest comment date Mar. 27, 2017, [site visited Feb. 21, 2021], Available on the Internet URL <https://www.amazon.com/Mondi-Tray-Humidity-Dome-Propagation/dp/B01N1V1DWB> (Year: 2017).

* cited by examiner

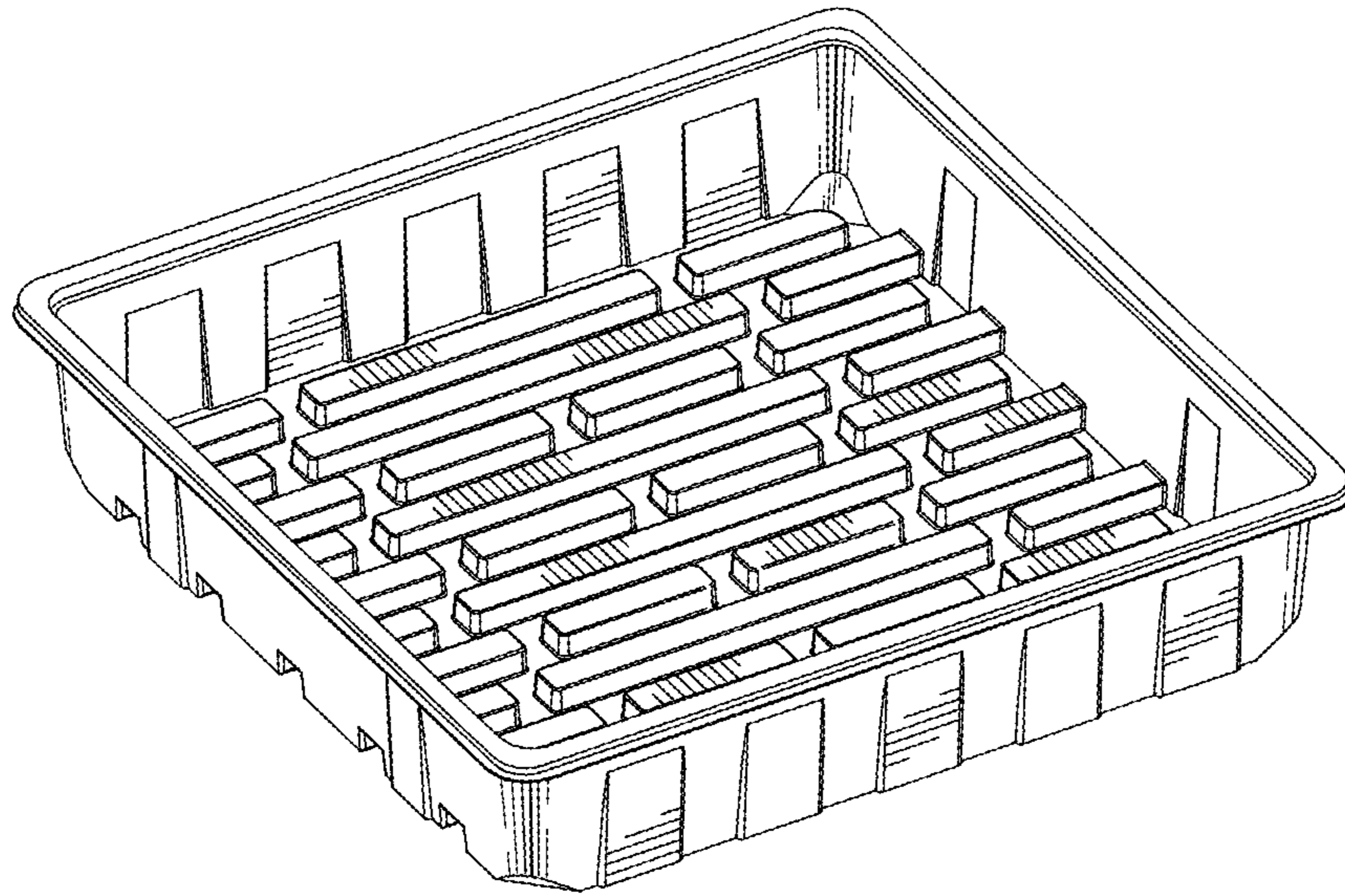


FIG. 1

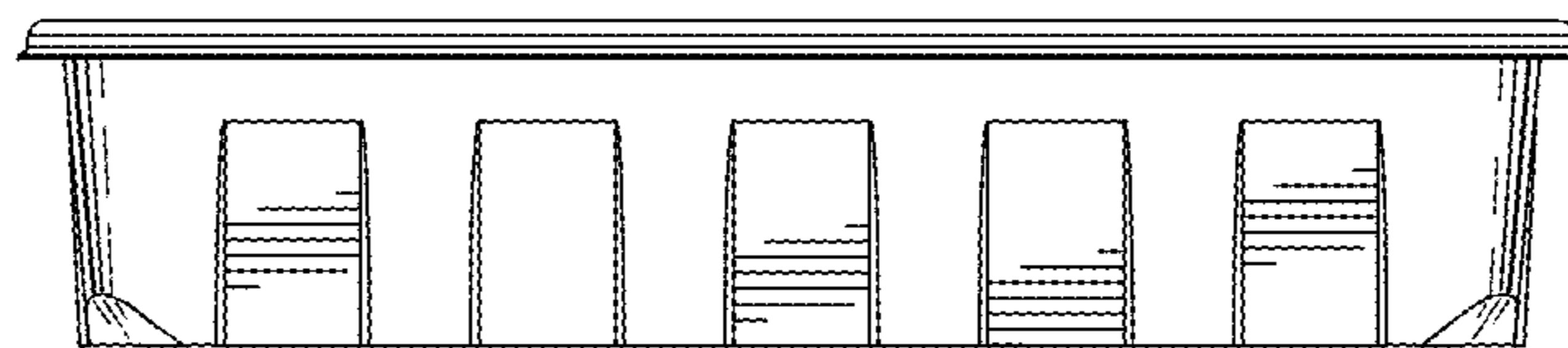


FIG. 2

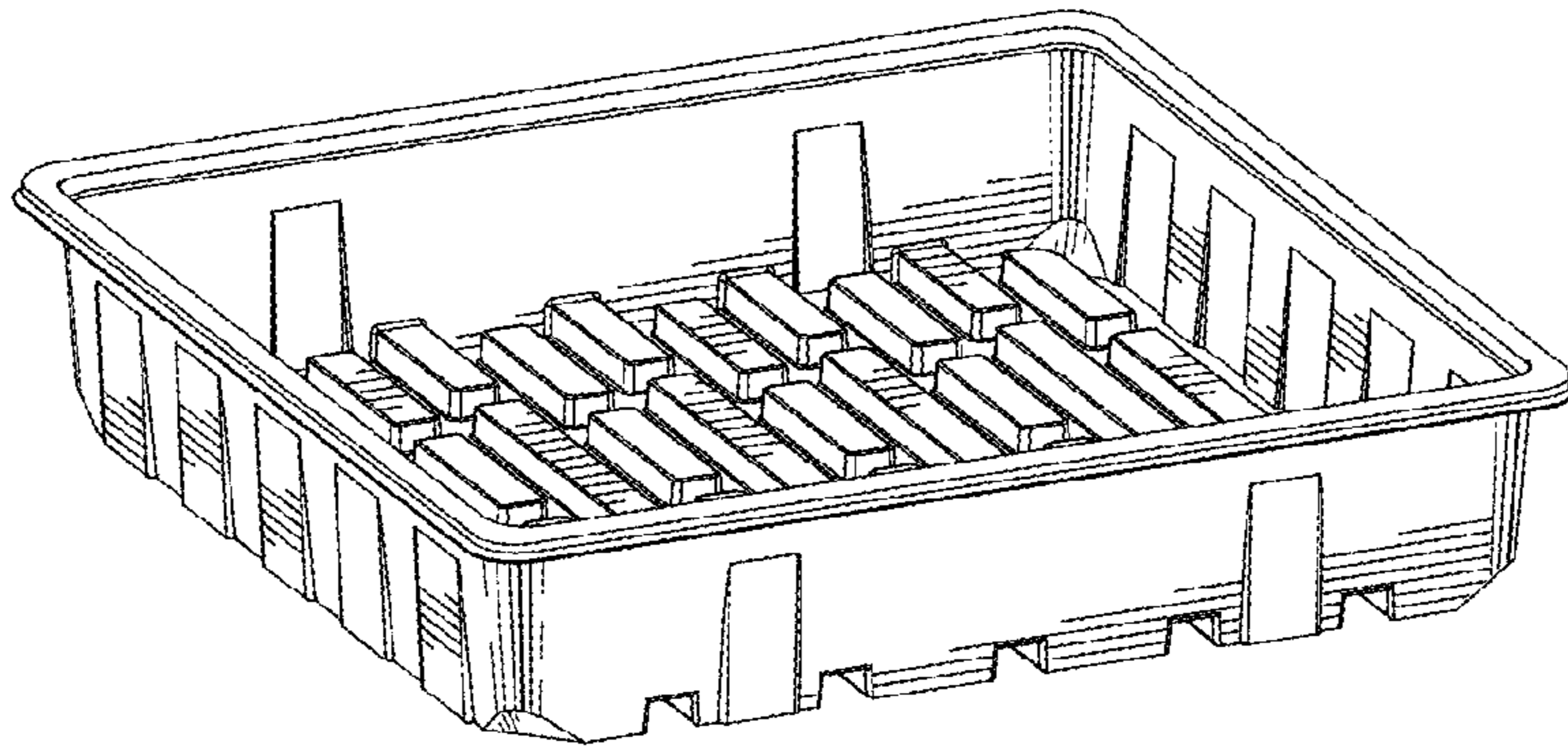


FIG. 3

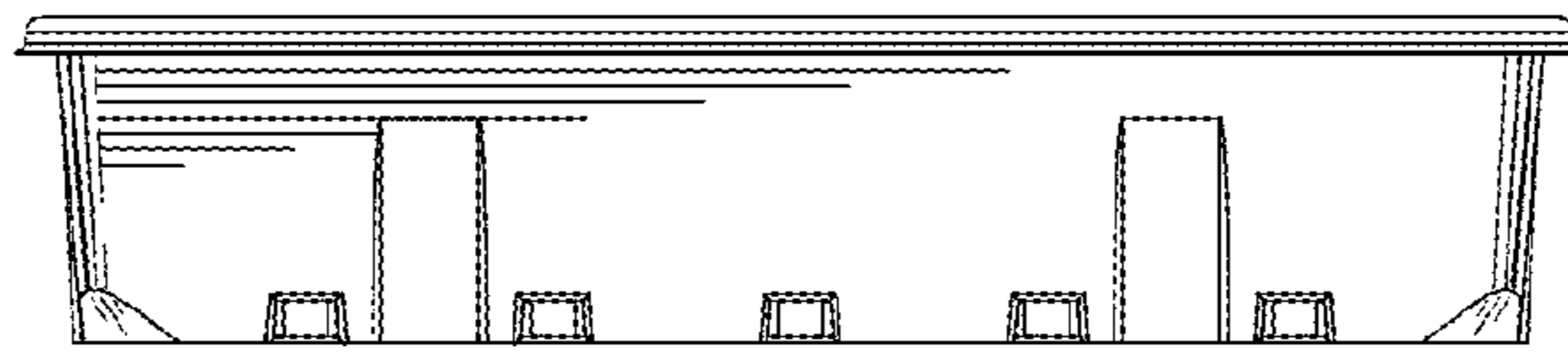


FIG. 4

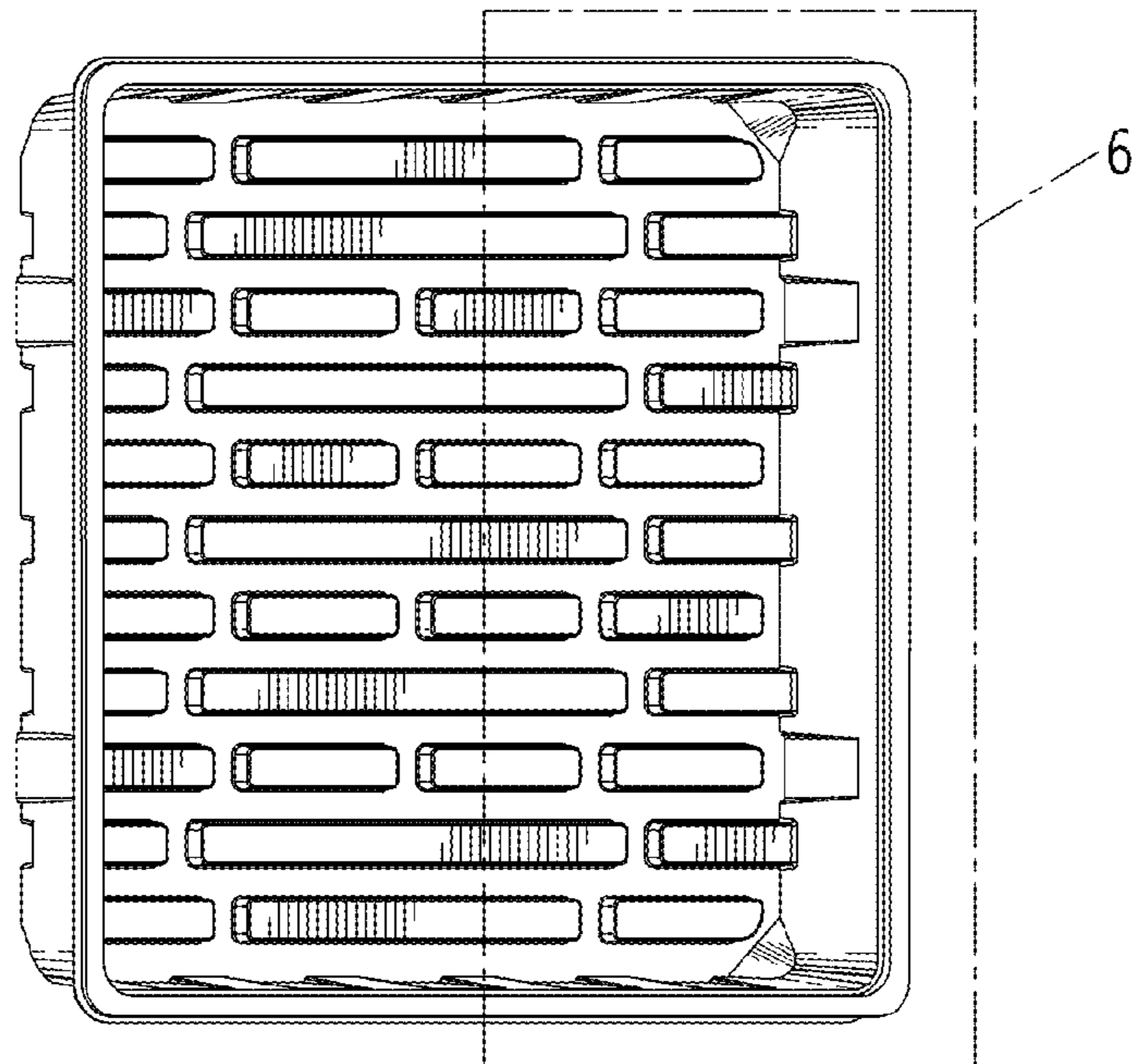


FIG. 5

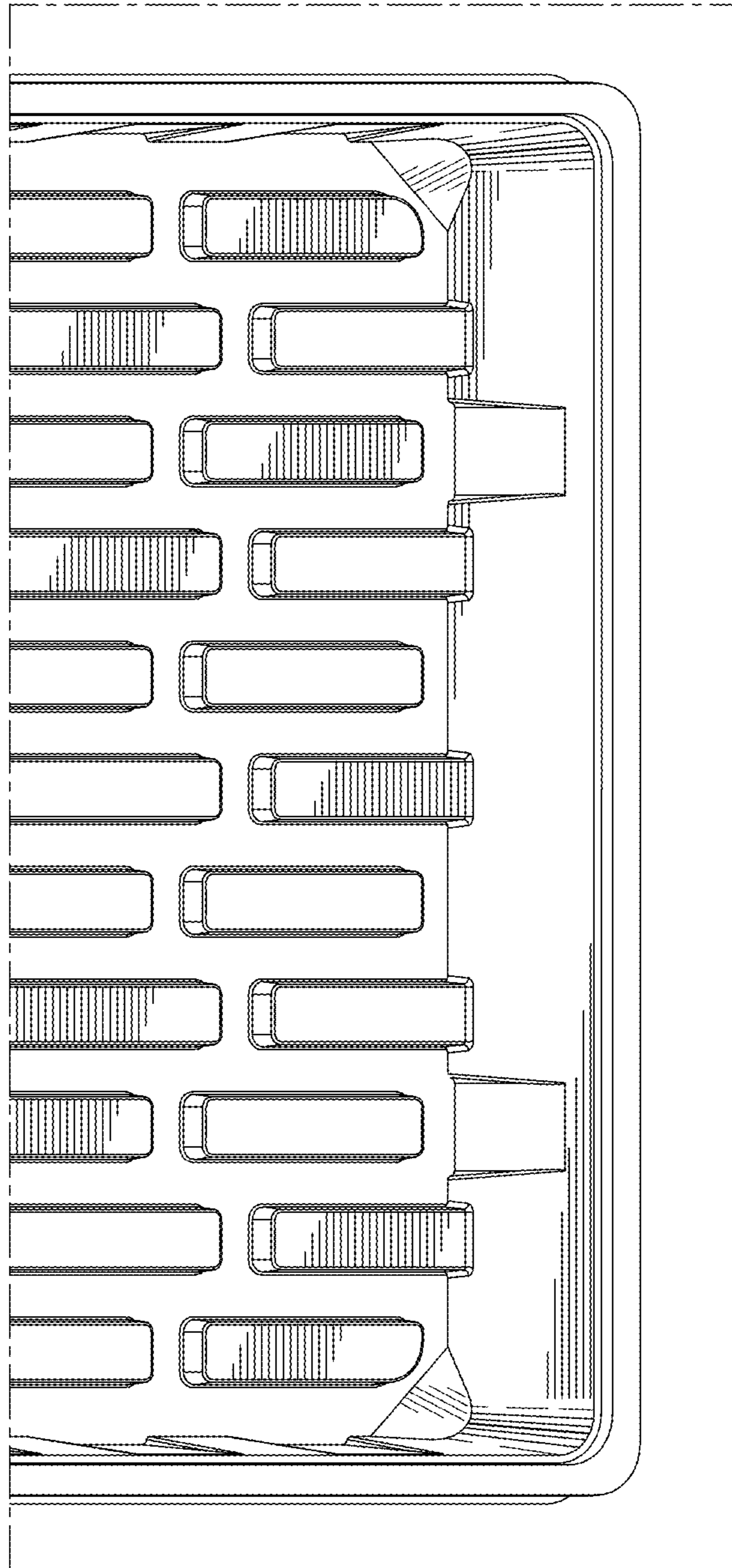


FIG. 6

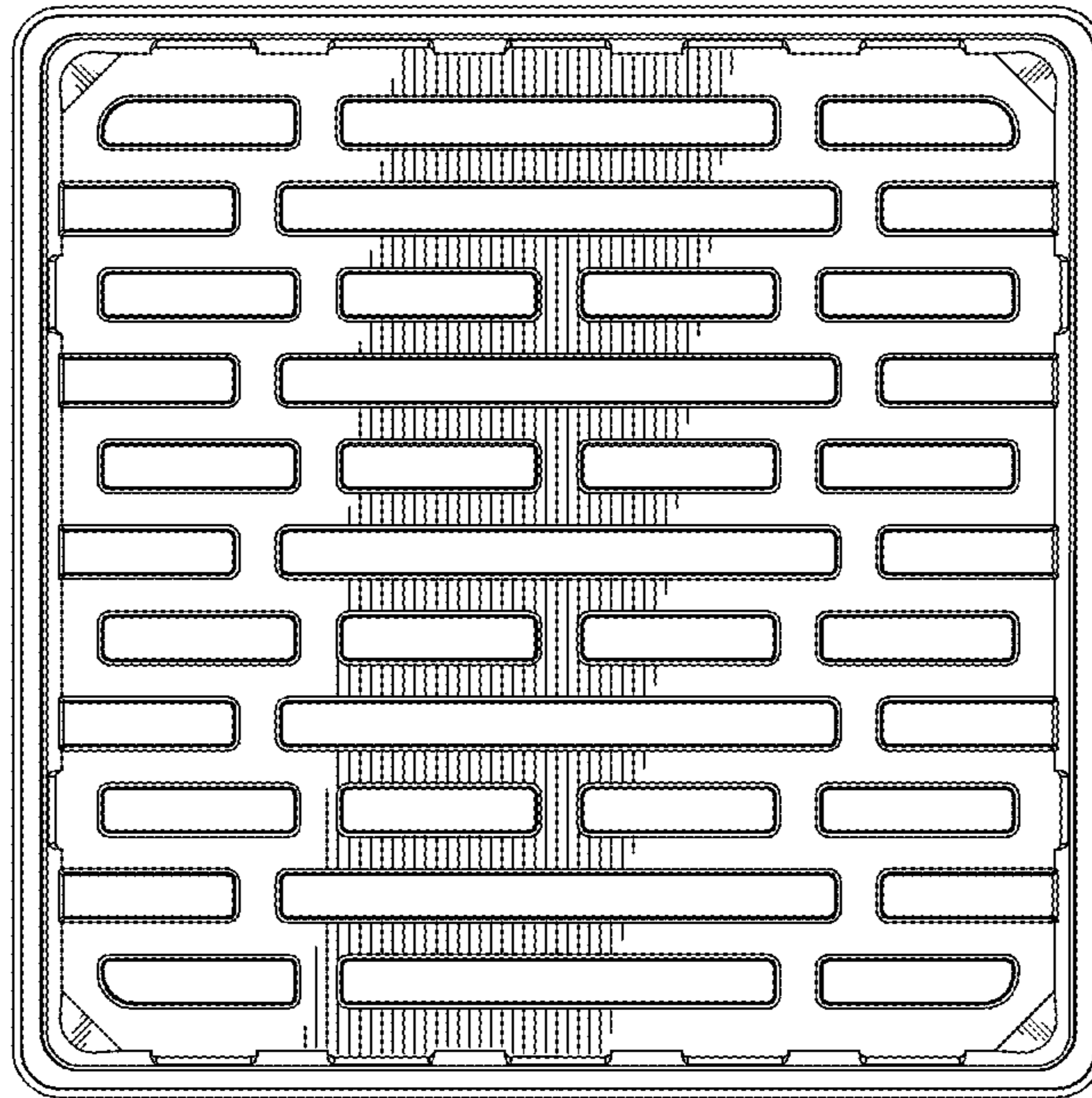


FIG. 7

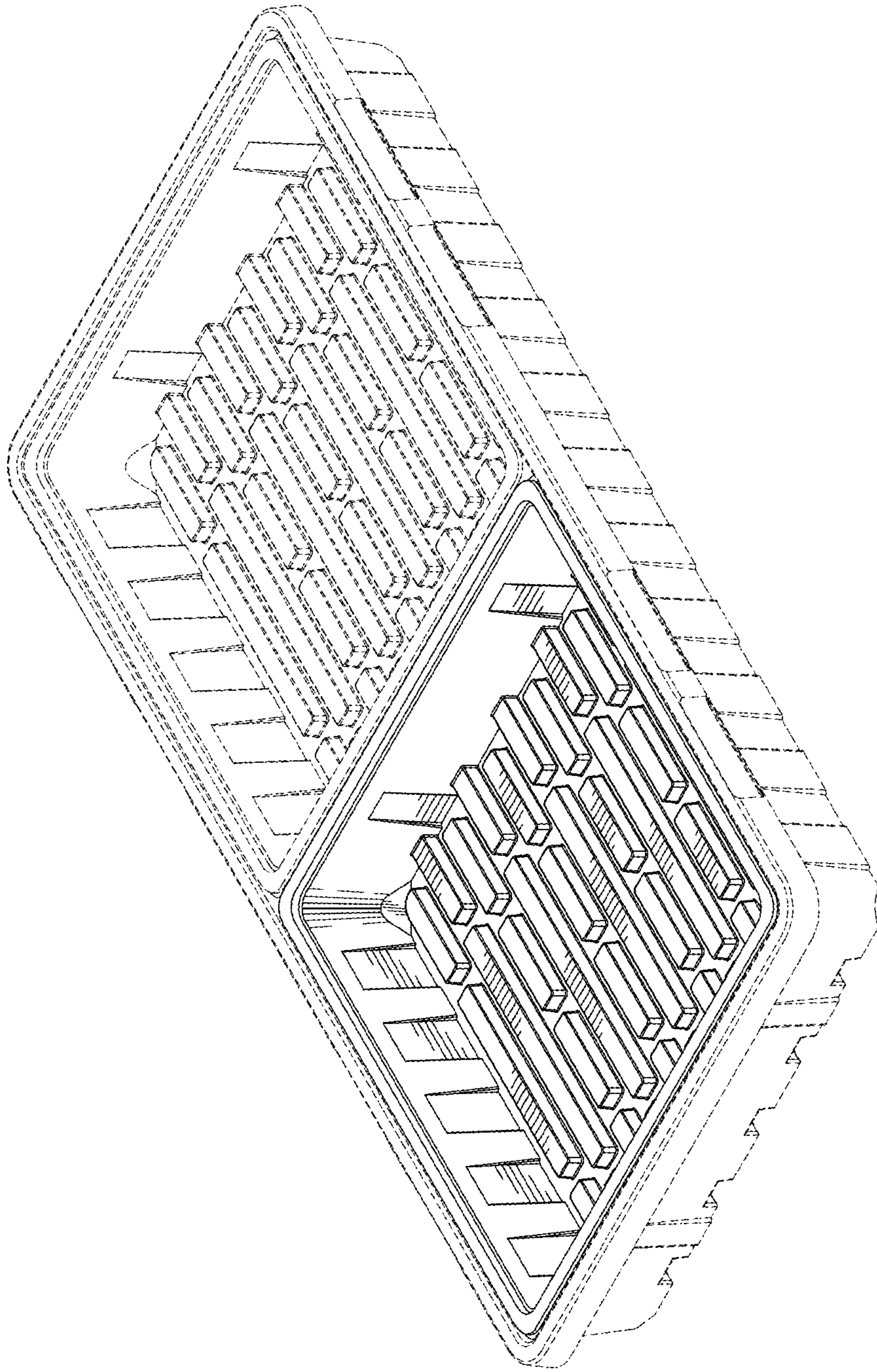


FIG. 5

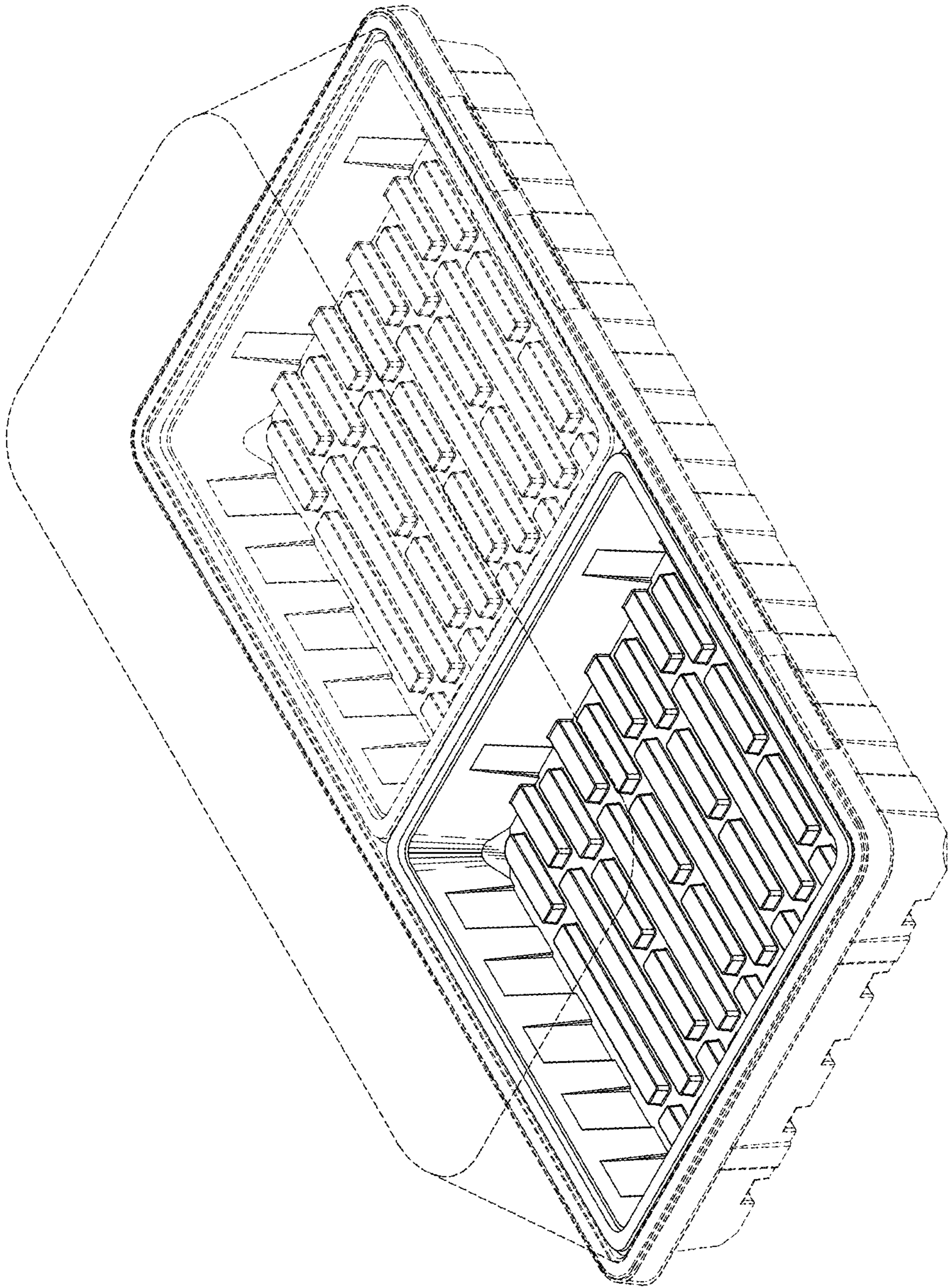


FIG. 6

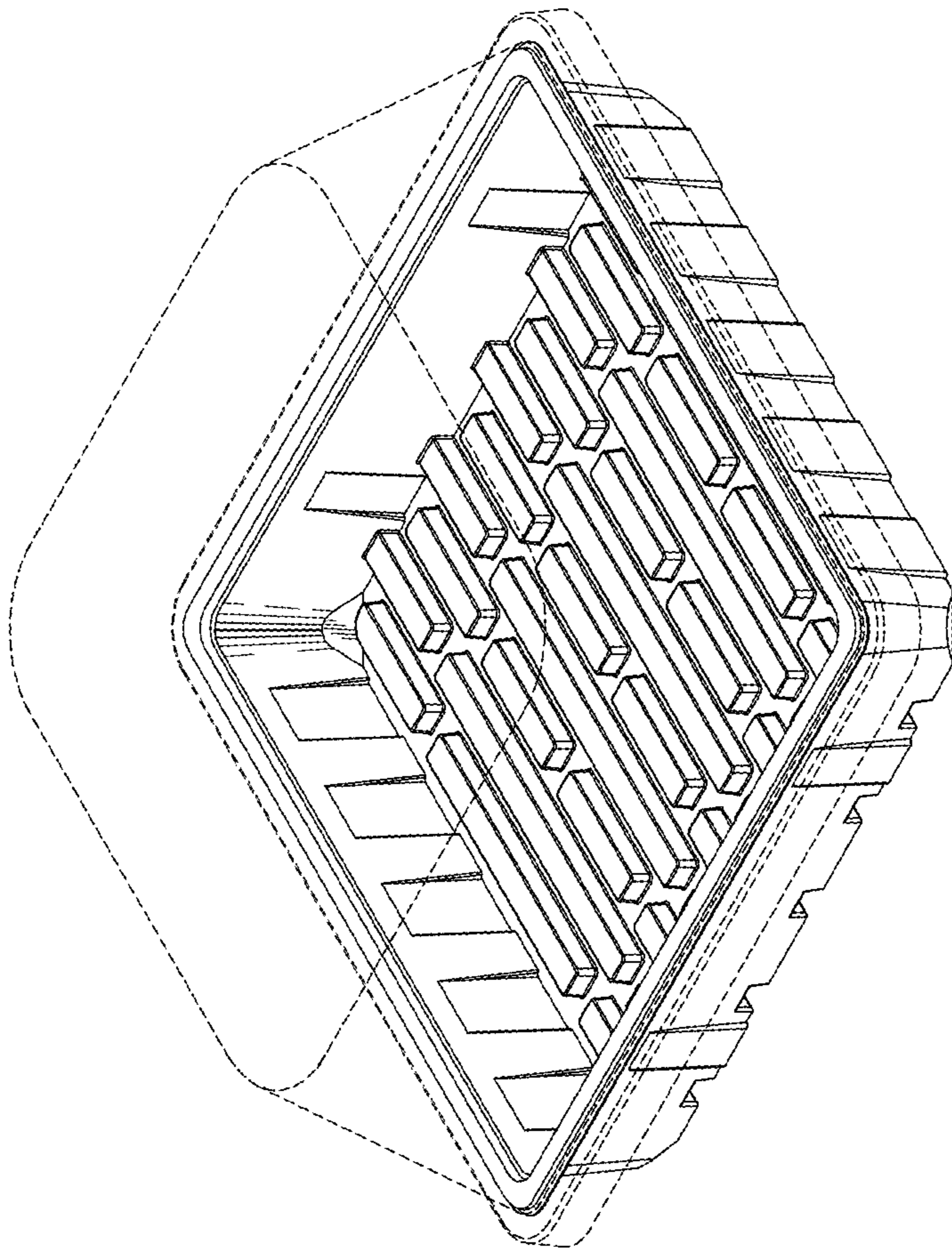


FIG. 10