



US00D960035S

(12) **United States Design Patent**
Iva Djordjevic

(10) **Patent No.:** **US D960,035 S**

(45) **Date of Patent:** **** Aug. 9, 2022**

(54) **ARTICLE OF JEWELRY**
(71) Applicant: **RICHEMONT INTERNATIONAL SA, Villars-sur-Glane (CH)**
(72) Inventor: **Marija Iva Djordjevic, Geneva (CH)**
(73) Assignee: **RICHEMONT INTERNATIONAL SA, Villars-sur-Glane (CH)**
(**) Term: **15 Years**

D166,551 S * 4/1952 Katz D11/10
D166,608 S * 4/1952 Katz D11/4
3,589,322 A * 6/1971 Hirokawa D05C 17/00
112/401
D301,318 S * 5/1989 Yoshida D11/75
(Continued)

(21) Appl. No.: **29/733,512**
(22) Filed: **May 4, 2020**

FOREIGN PATENT DOCUMENTS

CN 302200938 * 11/2012
CN 306661122 * 7/2021
(Continued)

(30) **Foreign Application Priority Data**
Mar. 27, 2020 (WO) WIPO93644

OTHER PUBLICATIONS

Piaget Rose Earrings, available 2021, online, site visited Dec. 2, 2021. Available online, URL: <https://www.piaget.com/jewelry/piaget-rose/white-gold-diamond-earrings-g38u0081> (Year: 2021).*
Piaget Rose Diamond 18K Rose Gold Earrings, available 2010, online, site visited Dec. 2, 2021. Available online, URL: https://www.1stdibs.com/jewelry/earrings/stud-earrings/piaget-rose-diamond-18k-rose-gold-earrings/id-v_14020162/ (Year: 2010).*
(Continued)

(51) **LOC (13) Cl.** **11-01**
(52) **U.S. Cl.**
USPC **D11/67**
(58) **Field of Classification Search**
USPC D11/1-18, 20, 21, 26, 30, 33, 34, 37, 40,
D11/48, 63, 67, 69, 79, 84, 106
CPC A44C 7/004; A44C 15/005; A44C 17/005;
A44C 17/006; A44C 17/007; A44C
17/02; A44C 17/04
See application file for complete search history.

Primary Examiner — W. A. Teddy Falloway
Assistant Examiner — Sarah J Ault
(74) *Attorney, Agent, or Firm* — Oliff PLC

(56) **References Cited**

(57) **CLAIM**

The ornamental design for an article of jewelry, as shown and described.

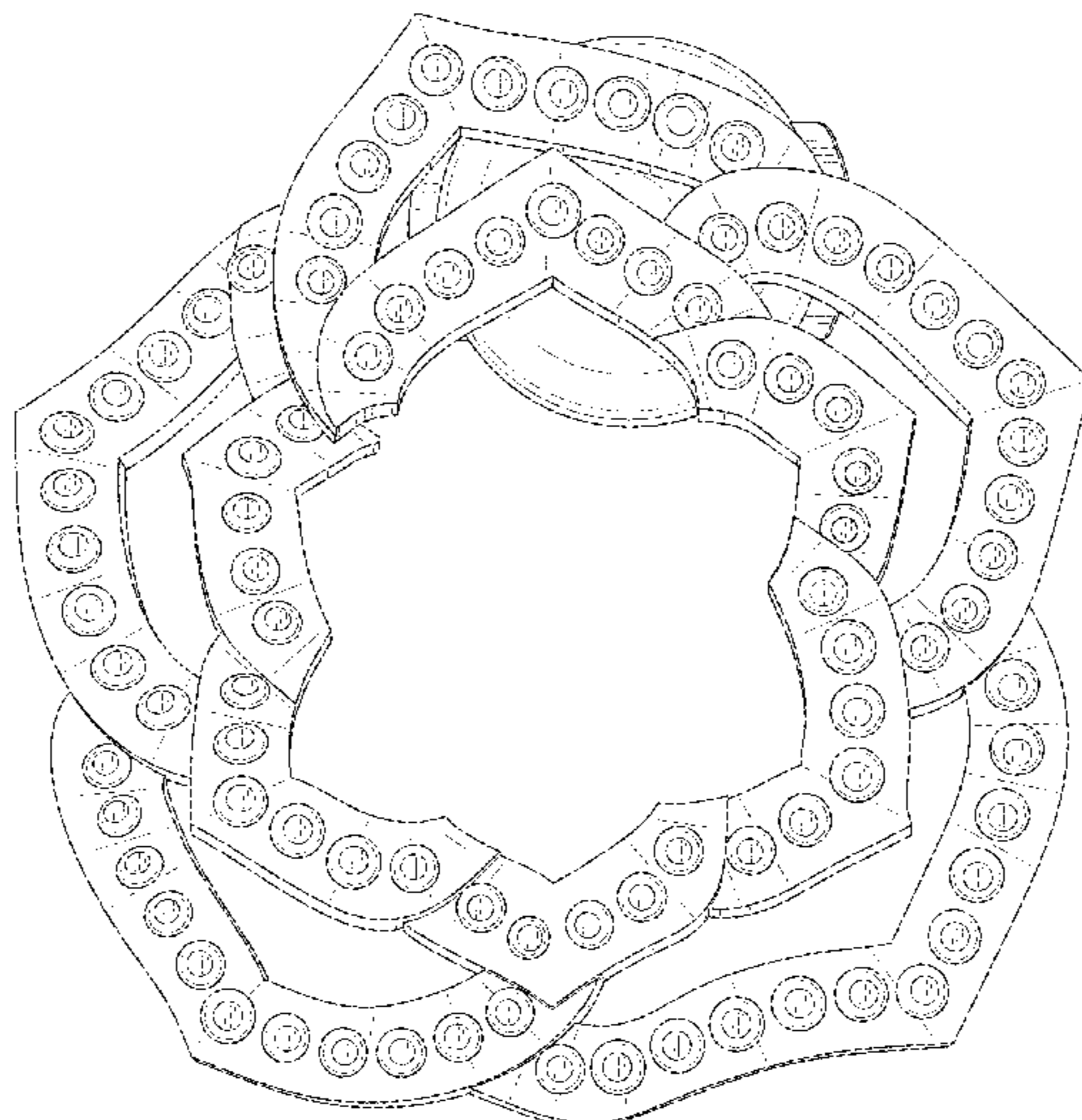
U.S. PATENT DOCUMENTS

DESCRIPTION

657,585 A * 9/1900 Carroll A45F 5/08
24/6
D123,207 S * 10/1940 Hobe D11/14
2,244,944 A * 6/1941 Furlonge A44C 15/00
63/36
D139,261 S * 10/1944 Hobe D11/69
D140,640 S * 3/1945 Fraser D11/86
D148,849 S * 3/1948 Glass D11/67
D148,863 S * 3/1948 Katz D11/9
D149,361 S * 4/1948 Katz D11/10
D150,699 S * 8/1948 Katz D11/7
D153,024 S * 3/1949 Philippe D11/9

FIG. 1 is a front, right-side, top perspective view of the article of jewelry, showing the new design;
FIG. 2 is a front elevational view thereof;
FIG. 3 is a rear-elevational view thereof;
FIG. 4 is a left-side elevational view thereof;
FIG. 5 is a right-side elevational view thereof;
FIG. 6 is a top plan view thereof; and,
FIG. 7 is a bottom plan view thereof.

1 Claim, 7 Drawing Sheets



(56)

References Cited

U.S. PATENT DOCUMENTS

D526,235	S	*	8/2006	Becker	D11/63
D529,835	S	*	10/2006	Becker	D11/4
D537,377	S	*	2/2007	Becker	D11/44
D537,751	S	*	3/2007	Becker	D11/44
D540,212	S	*	4/2007	Becker	D11/44
D543,128	S	*	5/2007	Becker	D11/26
7,533,541	B1	*	5/2009	Zakinov	A44C 17/02 63/28
D681,498	S	*	5/2013	Kornerup	D11/16
D682,121	S	*	5/2013	Hegi	D10/36
D705,111	S	*	5/2014	Namazy	D11/3
D712,293	S	*	9/2014	Cerrato	D10/127
D715,680	S	*	10/2014	Ochoa	D11/80
D793,895	S	*	8/2017	Schwaninger	D11/6
D811,258	S	*	2/2018	Buonamassa Stigliani	D11/5
D821,249	S	*	6/2018	Sivriere	D11/33
D821,250	S	*	6/2018	Sivriere	D11/33
D852,078	S	*	6/2019	Sivriere	D11/33
D852,670	S	*	7/2019	Koutsolioutsos	D11/84
D852,671	S	*	7/2019	Sivriere	D11/84
D869,979	S	*	12/2019	Rozsa	D11/16
D871,958	S	*	1/2020	Sivriere	D11/43
D872,607	S	*	1/2020	O'Connell	D11/1
D906,161	S	*	12/2020	Silvestri	D11/91
D911,203	S	*	2/2021	Bicego	D11/1
D911,204	S	*	2/2021	Bicego	D11/1
D915,927	S	*	4/2021	Bicego	D11/1
D927,342	S	*	8/2021	Sivriere	D11/41
D945,913	S	*	3/2022	Iva Djordjevic	D11/34
D945,918	S	*	3/2022	Lopez	D11/84

FOREIGN PATENT DOCUMENTS

JP	D1672633	*	11/2020
WO	D098671-002	*	5/2018

OTHER PUBLICATIONS

Piaget Rose Collection Gold Brilliant Cut Diamond Earrings, available 2000, online, site visited Dec. 2, 2021. Available online, URL: https://www.1stdibs.com/jewelry/earrings/more-earrings/piaget-rose-collection-gold-brilliant-cut-diamond-earrings/id-j_3803861/ (Year: 2000).*

Roberto Coin Diamond Rose Gold Flower Necklace, available 2010, online, site visited Dec. 2, 2021. Available online, URL: https://www.1stdibs.com/jewelry/necklaces/pendant-necklaces/roberto-coin-diamond-rose-gold-flower-necklace/id-j_11588362/ (Year: 2010).*

Roberto Coin Rose Diamond Earrings, available 1985, online, site visited Dec. 2, 2021. Available online, URL: https://www.1stdibs.com/jewelry/earrings/stud-earrings/roberto-coin-rose-diamond-earrings/id-j_11442542/ (Year: 1985).*

18 Karat Yellow Gold Diamond Flower Brooch, available 1990, online, site visited Dec. 2, 2021. Available online, URL: https://www.1stdibs.com/jewelry/brooches/brooches/18-karat-yellow-gold-diamond-flower-brooch/id-j_10401252/ (Year: 1990).*

Tanagro 18 Karat White and Rose Gold 1.35 Carat Diamond Modern Rose Pendant, available 2008, online, site visited Dec. 2, 2021. Available online, URL: https://www.1stdibs.com/jewelry/necklaces/pendant-necklaces/tanagro-18-karat-white-rose-gold-135-carat-diamond-modern-rose-pendant/id-j_10820402/ (Year: 2008).*

Piaget 'Rose' Rose Gold and Diamond Openwork Pendant Necklace, available 2010, online, site visited Dec. 2, 2021. Available online, URL: https://www.1stdibs.com/jewelry/necklaces/pendant-necklaces/piaget-rose-rose-gold-diamond-openwork-pendant-necklace/id-j_9753102/ (Year: 2010).*

Piaget Rose Jewelry Collection for the 30th Anniversary of the Yves Piaget Rose, available Jun. 19, 2021, online, site visited Dec. 2, 2021. Available online, URL: <https://parentonline.com/blog/home/piaget-rose-jewelry-collection-for-the-30th-anniversary-of-the-yves-piaget-rose/> (Year: 2021).*

* cited by examiner

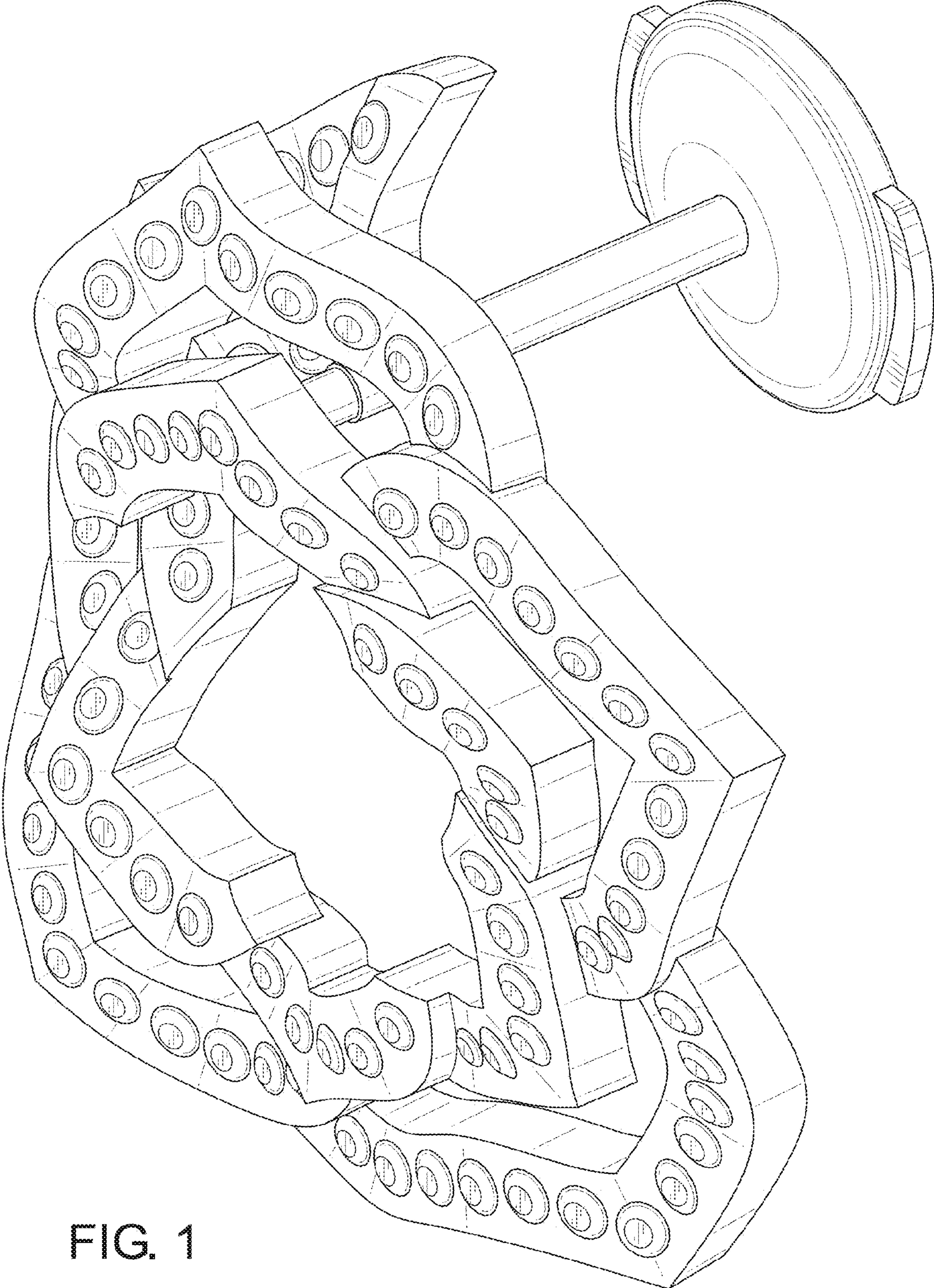


FIG. 1

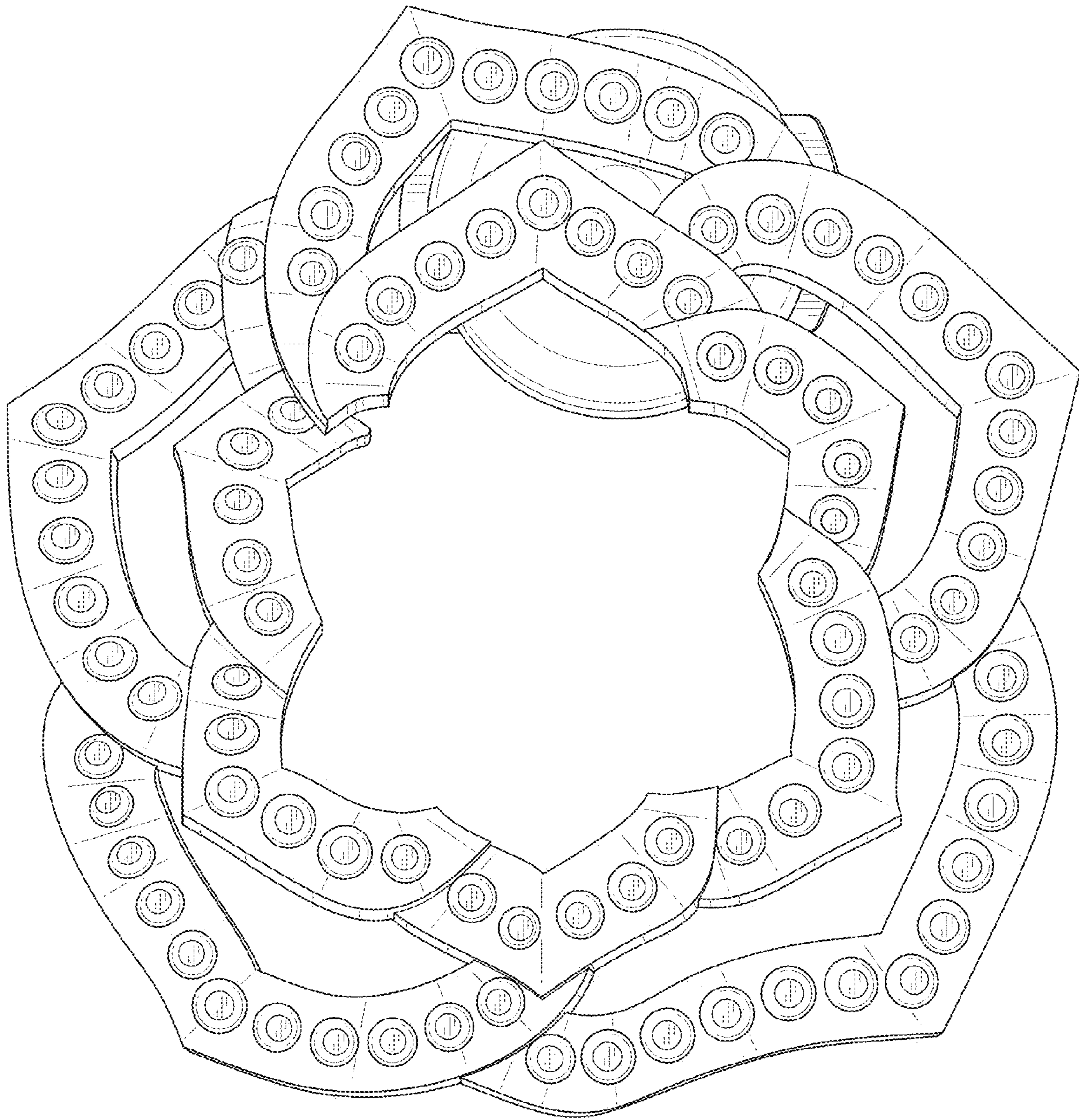


FIG. 2

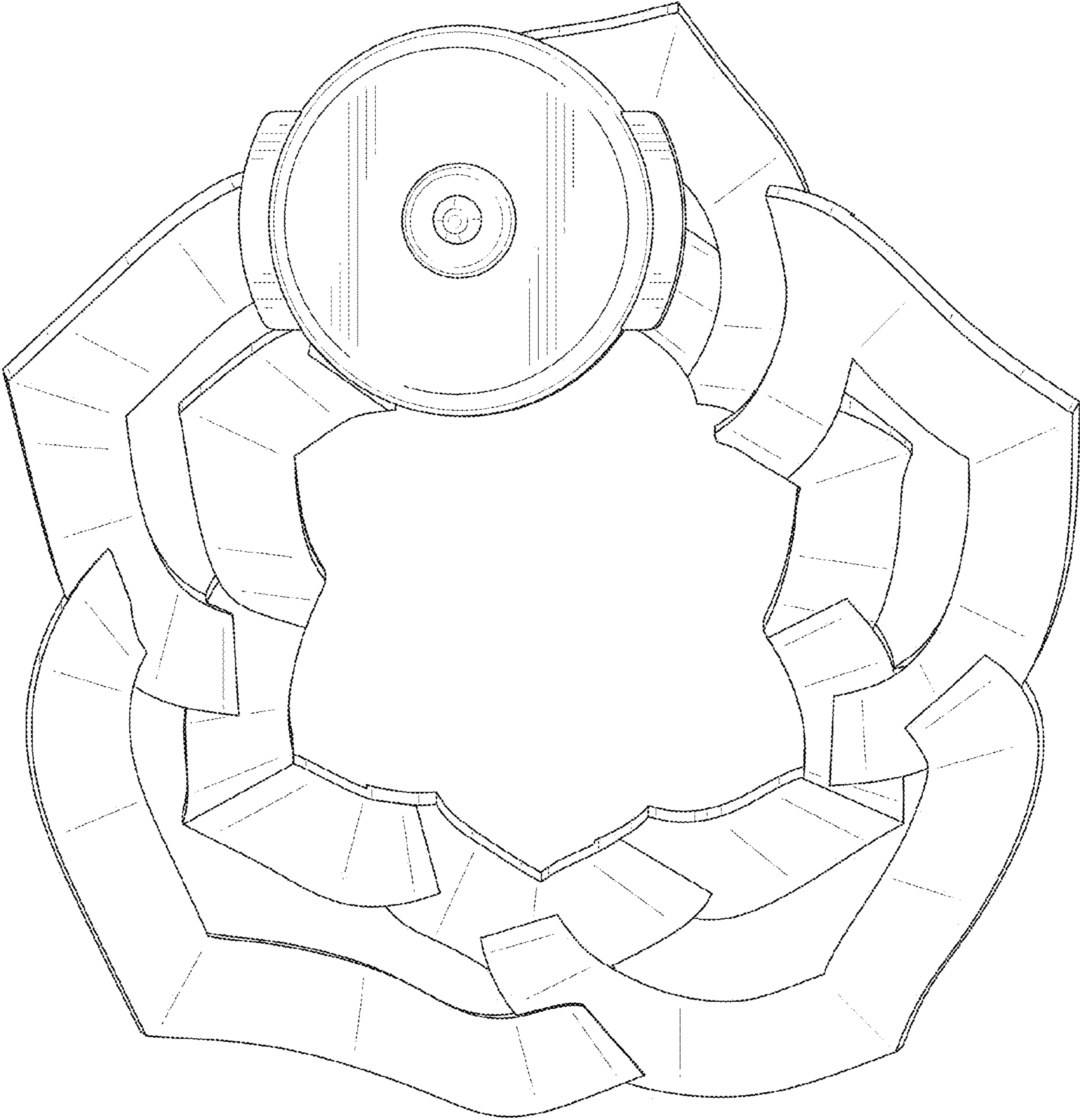


FIG. 3

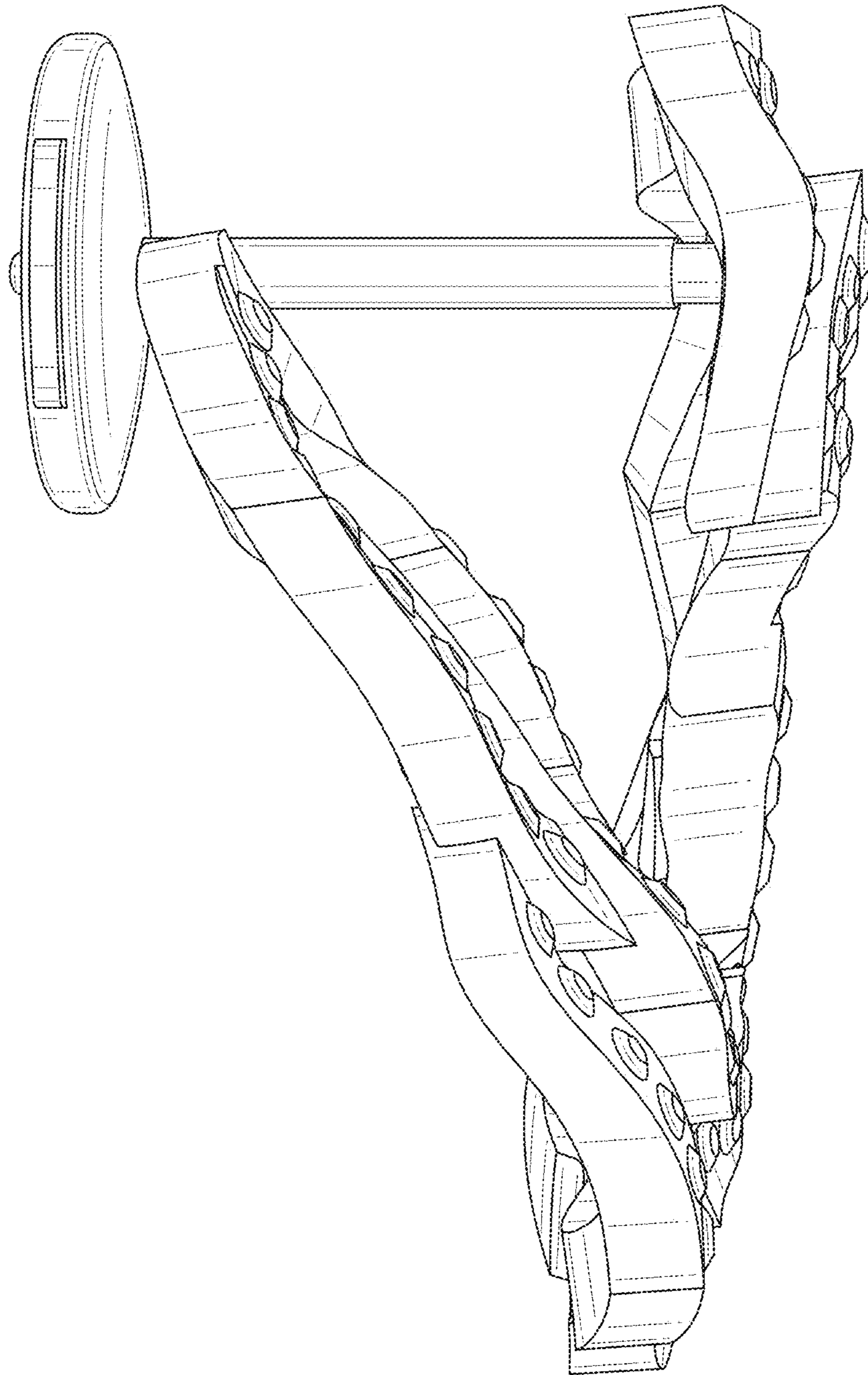


FIG. 4

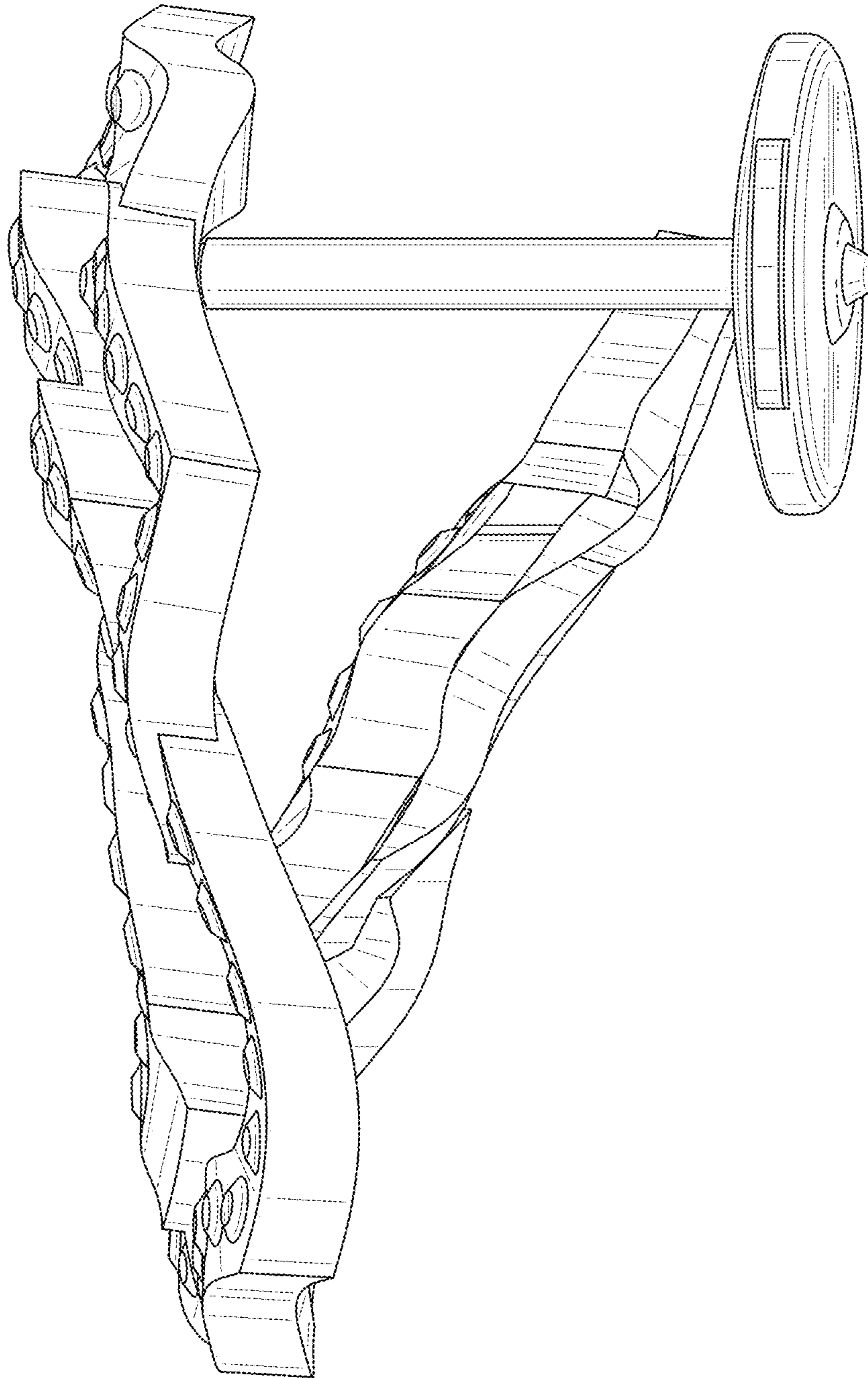


FIG. 5

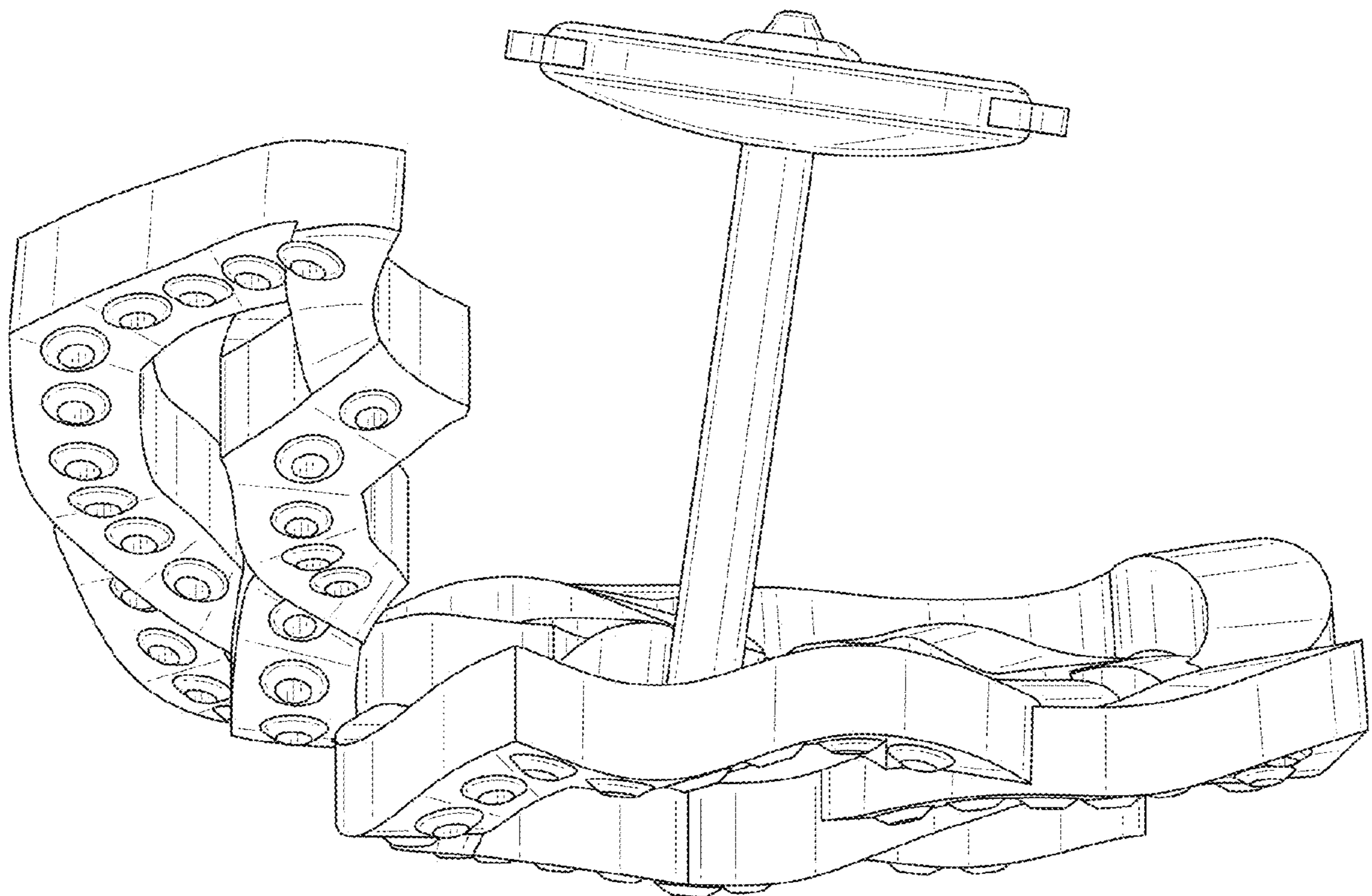


FIG. 6

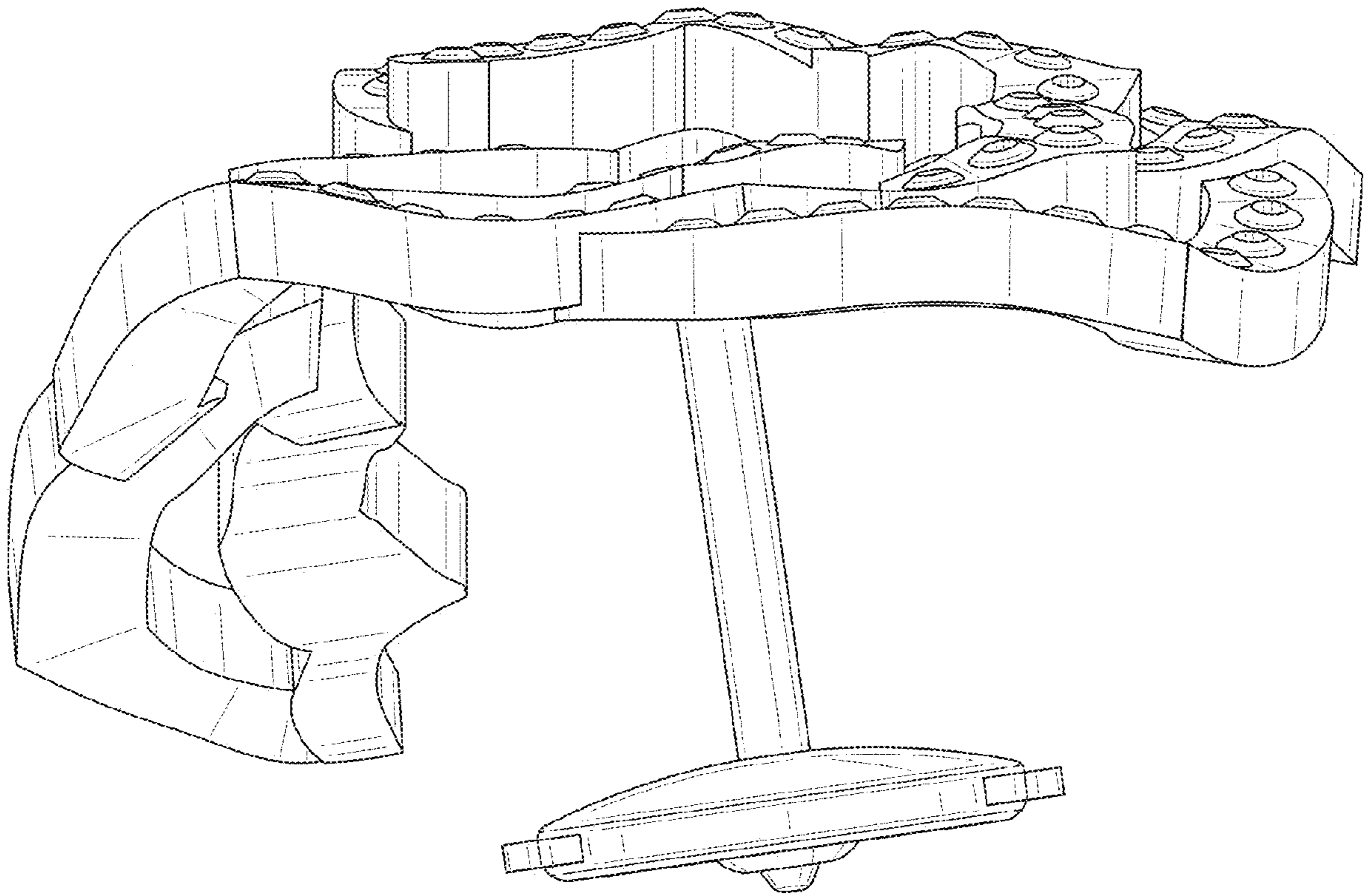


FIG. 7