



US00D960019S

(12) **United States Design Patent**  
**Qin**

(10) **Patent No.:** **US D960,019 S**

(45) **Date of Patent:** **\*\* Aug. 9, 2022**

(54) **WATCH CASE**

6,310,835 B1 \* 10/2001 Mantoan ..... G04B 37/22  
368/294

(71) Applicant: **Xiaoming Qin**, Dongguan (CN)

D529,825 S 10/2006 Perrenoud

(72) Inventor: **Xiaoming Qin**, Dongguan (CN)

D536,997 S \* 2/2007 Asakawa ..... D10/38

(\*\*) Term: **15 Years**

D536,998 S \* 2/2007 Fujihara ..... D10/38

(21) Appl. No.: **29/802,851**

D578,410 S 10/2008 Scarinzi et al.

(22) Filed: **Aug. 9, 2021**

D744,868 S \* 12/2015 Hibayashi ..... D10/128

D766,906 S \* 9/2016 Kim ..... D14/440

D882,564 S \* 4/2020 Jung ..... D14/344

D929,243 S \* 8/2021 Xu ..... D14/344

D940,704 S \* 1/2022 Weng ..... D14/344

\* cited by examiner

(30) **Foreign Application Priority Data**

*Primary Examiner* — Katherine Glennon

Jul. 16, 2021 (CN) ..... 202130454497.5

(51) **LOC (13) Cl.** ..... **10-07**

(57) **CLAIM**

(52) **U.S. Cl.**

The ornamental design for a watch case, as shown and described.

USPC ..... **D10/132**; D10/30; D14/440

(58) **Field of Classification Search**

**DESCRIPTION**

USPC ..... D10/30-39, 132; D11/3; D14/344, 440

FIG. 1 is a perspective view of a watch case, showing my new design;

CPC ..... A44C 5/00; A44C 5/0053; A44C 5/14;

FIG. 2 is another perspective view thereof;

A44C 5/147; A44C 5/2071; G06F 1/163;

FIG. 3 is a front view thereof;

G04G 17/00; G04G 17/08; A45C 11/10;

FIG. 4 is a rear view thereof;

A45C 11/12; G04B 37/005

FIG. 5 is a left side view thereof;

See application file for complete search history.

FIG. 6 is a right side view thereof;

(56) **References Cited**

**U.S. PATENT DOCUMENTS**

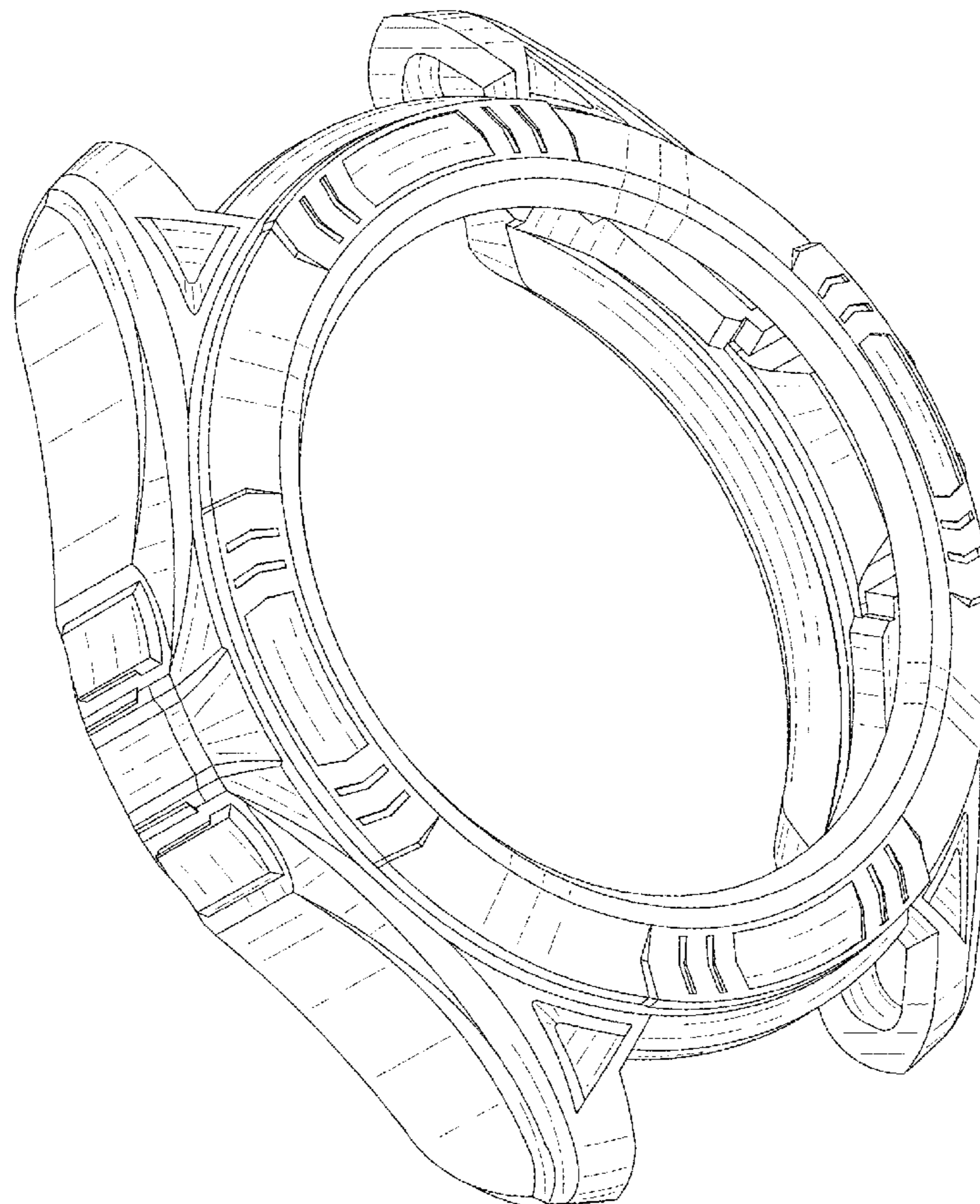
FIG. 7 is a top plan view thereof; and,

FIG. 8 is a bottom plan view thereof.

D364,817 S \* 12/1995 Morishima ..... D10/30

D386,691 S \* 11/1997 Szekley ..... D10/30

**1 Claim, 8 Drawing Sheets**



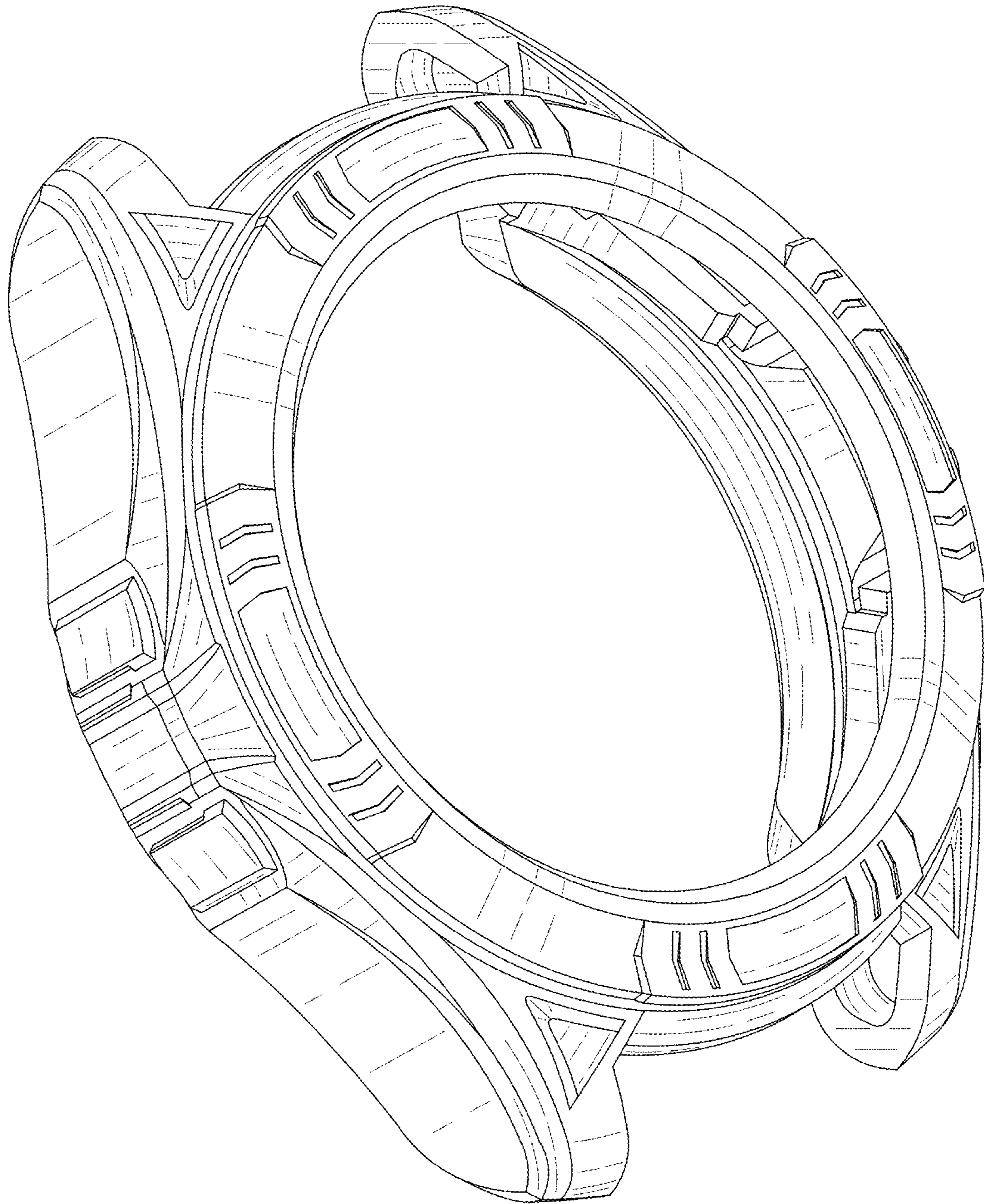


FIG. 1



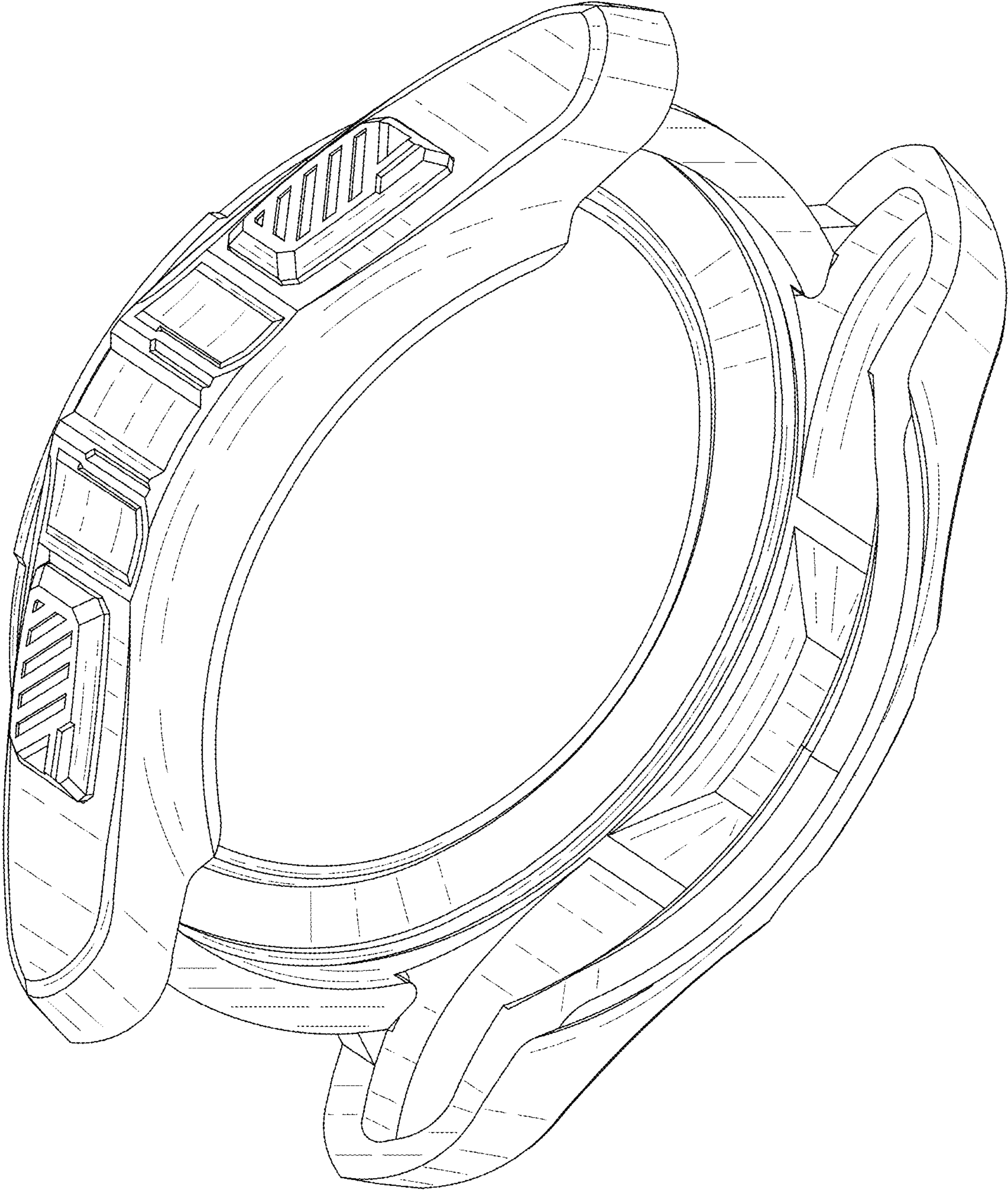


FIG. 2

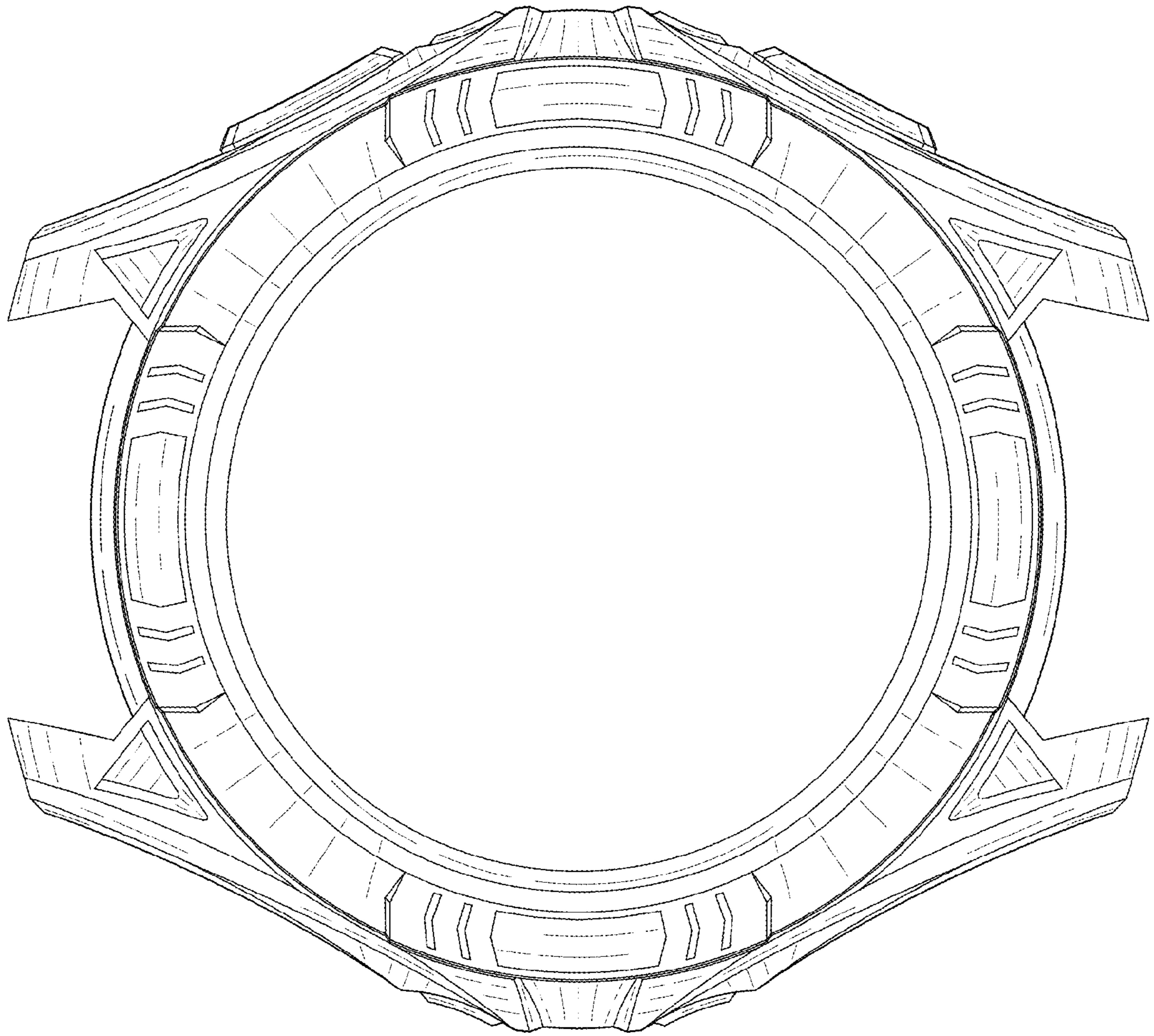


FIG. 3

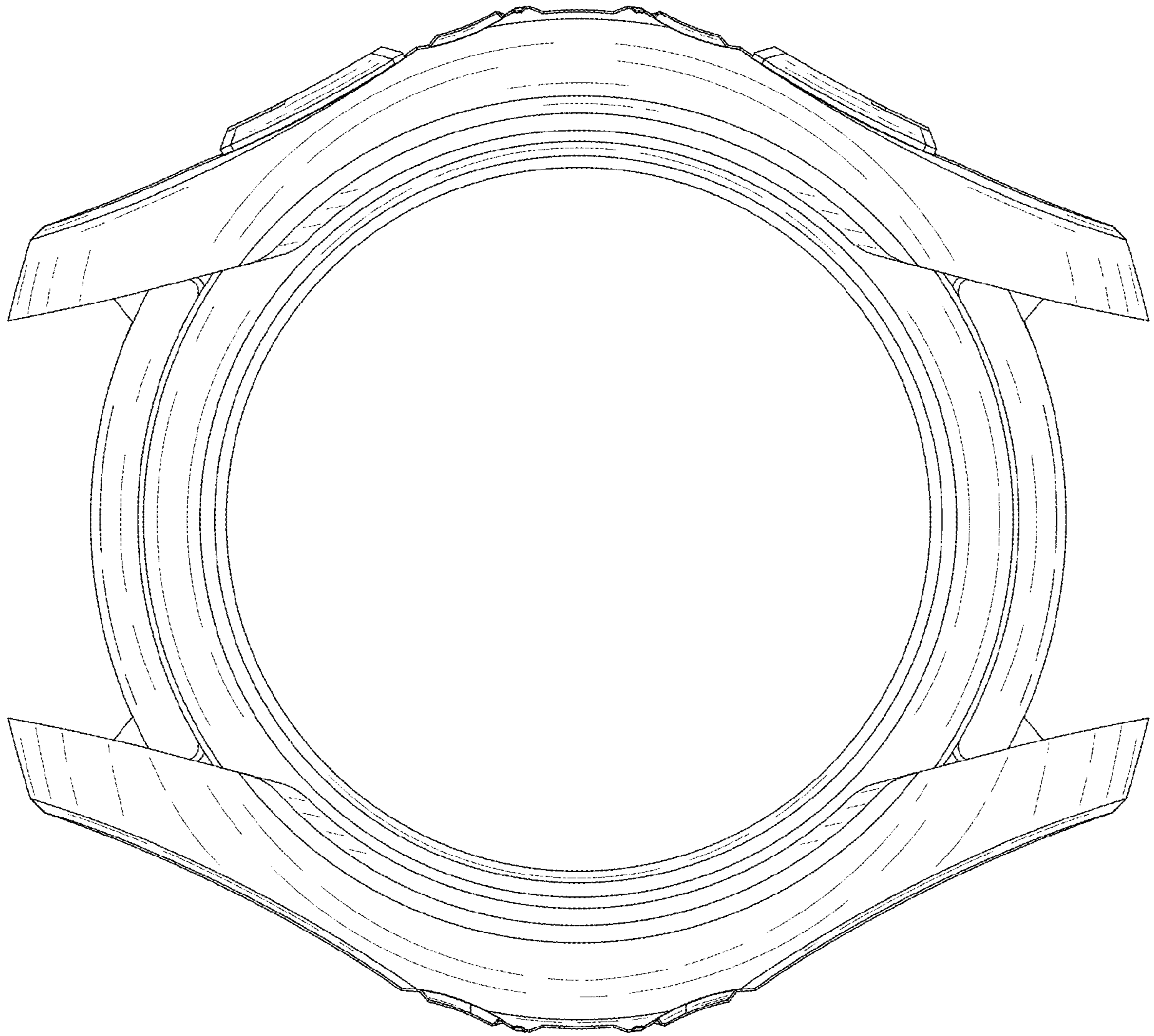


FIG. 4



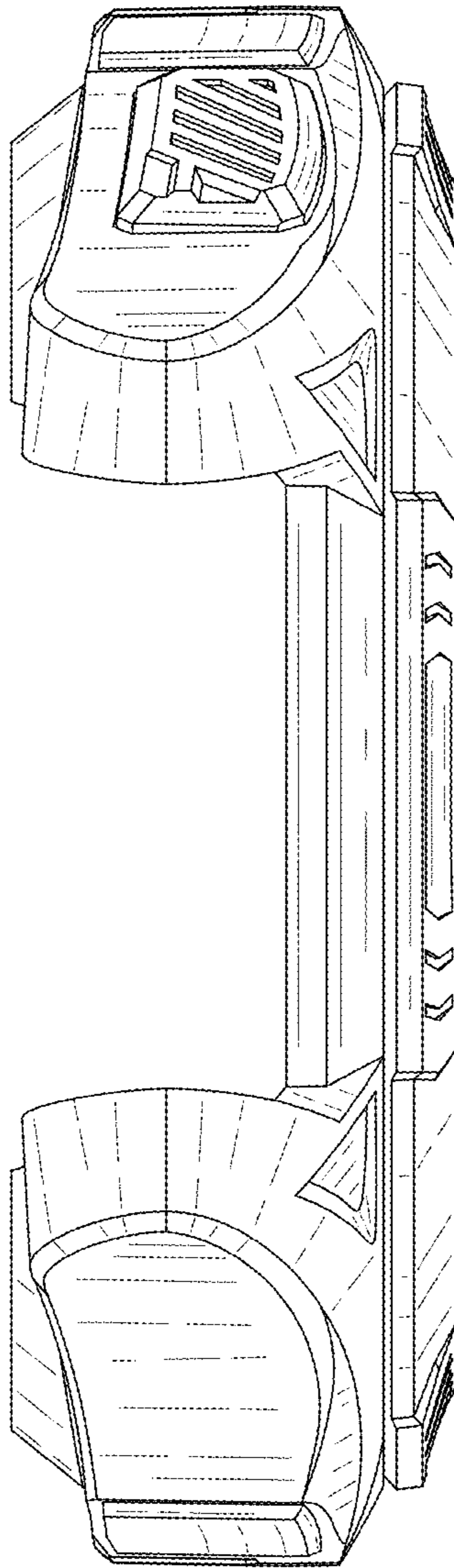


FIG. 5

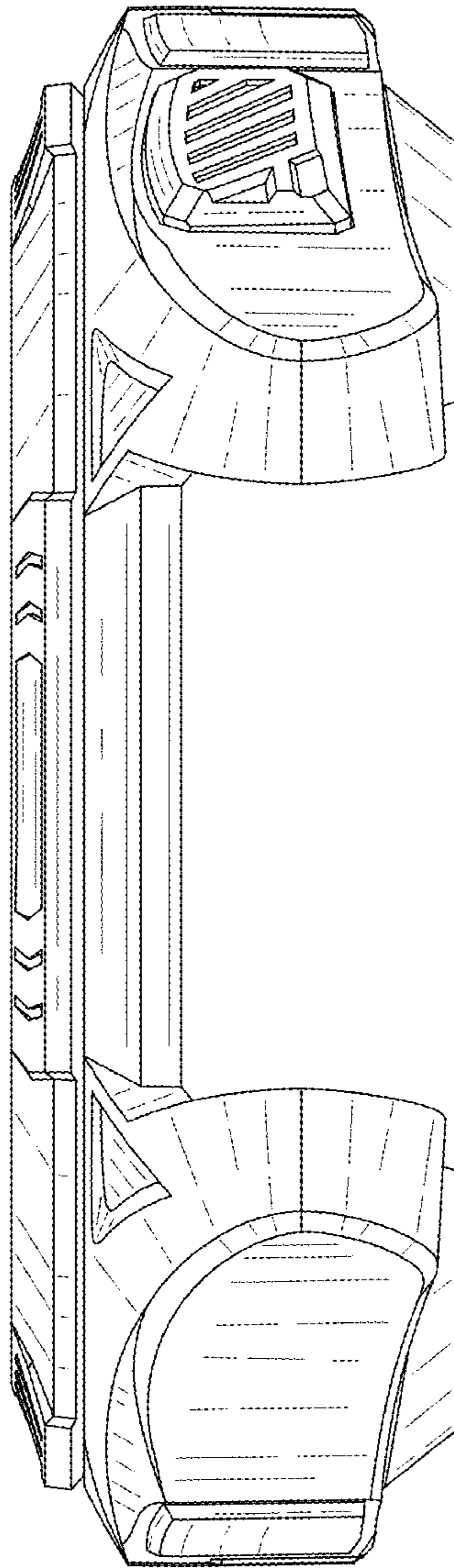


FIG. 6

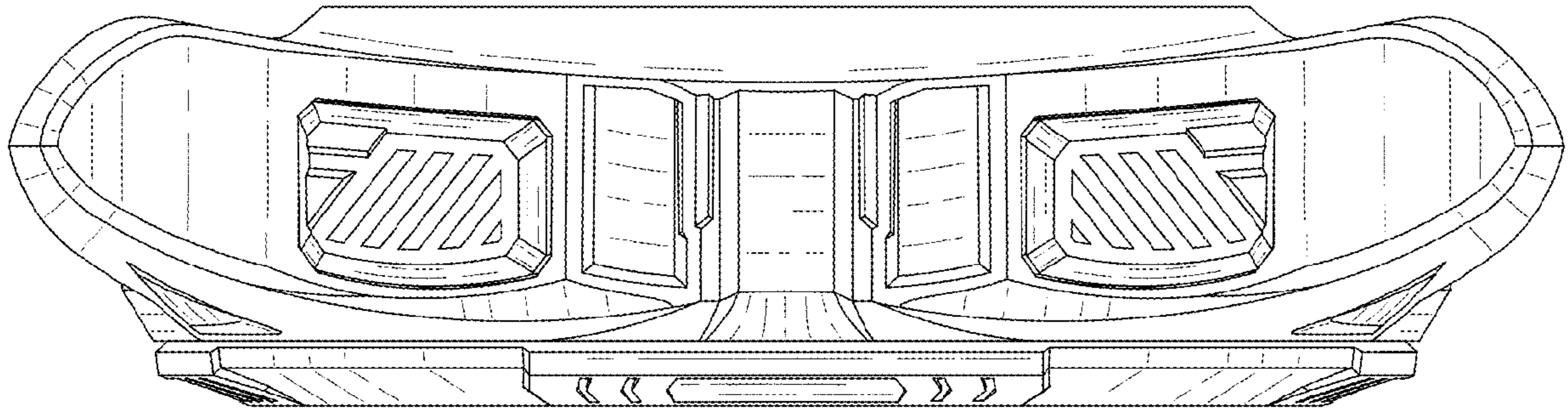


FIG. 7



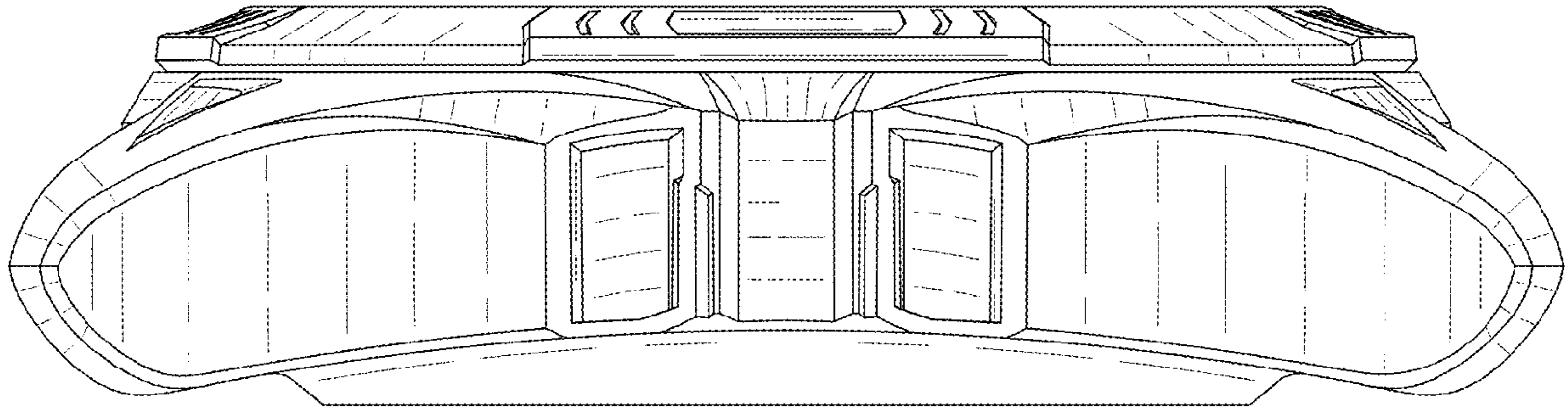


FIG. 8