



US00D960016S

(12) **United States Design Patent**  
**Paik et al.**

(10) **Patent No.:** **US D960,016 S**

(45) **Date of Patent:** **\*\* Aug. 9, 2022**

- (54) **WHISTLE**
- (71) Applicant: **WOOJIN PLASTIC Co., Ltd.**,  
Namyangju-si (KR)
- (72) Inventors: **Ji Sook Paik**, Seoul (KR); **Ji Hye Paik**, Seoul (KR); **Ji Won Son**, Seoul (KR); **Nan Hee Paik**, Seoul (KR)
- (73) Assignee: **WOOJIN PLASTIC CO., LTD.**,  
Namyangju-si (KR)

(\*\*) Term: **15 Years**

(21) Appl. No.: **29/744,981**

(22) Filed: **Aug. 3, 2020**

(30) **Foreign Application Priority Data**

Feb. 6, 2020 (KR) ..... 30-2020-0005056

(51) **LOC (13) Cl.** ..... **10-06**

(52) **U.S. Cl.**  
USPC ..... **D10/119.3**

(58) **Field of Classification Search**  
USPC ..... D10/104.1, 109.2, 116.1, 119.1–119.4,  
D10/120; D11/200, 216; D30/199  
CPC ..... A01K 15/021; G10K 5/00  
See application file for complete search history.

(56) **References Cited**

**U.S. PATENT DOCUMENTS**

- D266,492 S \* 10/1982 Oppermann, Sr. .... D10/119.3
- D291,421 S \* 8/1987 Lance ..... D10/119.3
- D323,403 S \* 1/1992 Sinrod ..... D10/109.2
- D331,719 S \* 12/1992 Ackerman ..... D10/116.1
- D347,399 S \* 5/1994 White, Jr. .... D10/116.1
- D417,166 S \* 11/1999 DeGroot ..... D10/119.1
- D472,176 S \* 3/2003 Atkinson ..... D10/119.1
- D487,876 S \* 3/2004 Atkinson ..... D10/116.1
- D556,619 S \* 12/2007 Markfelder ..... D10/119.3

- D601,625 S \* 10/2009 Yeh ..... D10/119.3
- D735,074 S \* 7/2015 Paik ..... D11/200
- D777,595 S \* 1/2017 Counts ..... D10/119.1
- 10,512,308 B2 \* 12/2019 Paik ..... G10K 5/00
- D889,237 S \* 7/2020 Bloch ..... D10/119.3
- D890,619 S \* 7/2020 Paik ..... D10/119.3
- D896,694 S \* 9/2020 Paik ..... D11/216
- D924,090 S \* 7/2021 Xu ..... D10/116.1
- 2019/0200709 A1 \* 7/2019 Paik ..... A44B 11/266

**FOREIGN PATENT DOCUMENTS**

JP D1306765 \* 12/2006

\* cited by examiner

*Primary Examiner* — George D. Kirschbaum

*Assistant Examiner* — Lillian Windham

(74) *Attorney, Agent, or Firm* — Paratus Law Group,  
PLLC

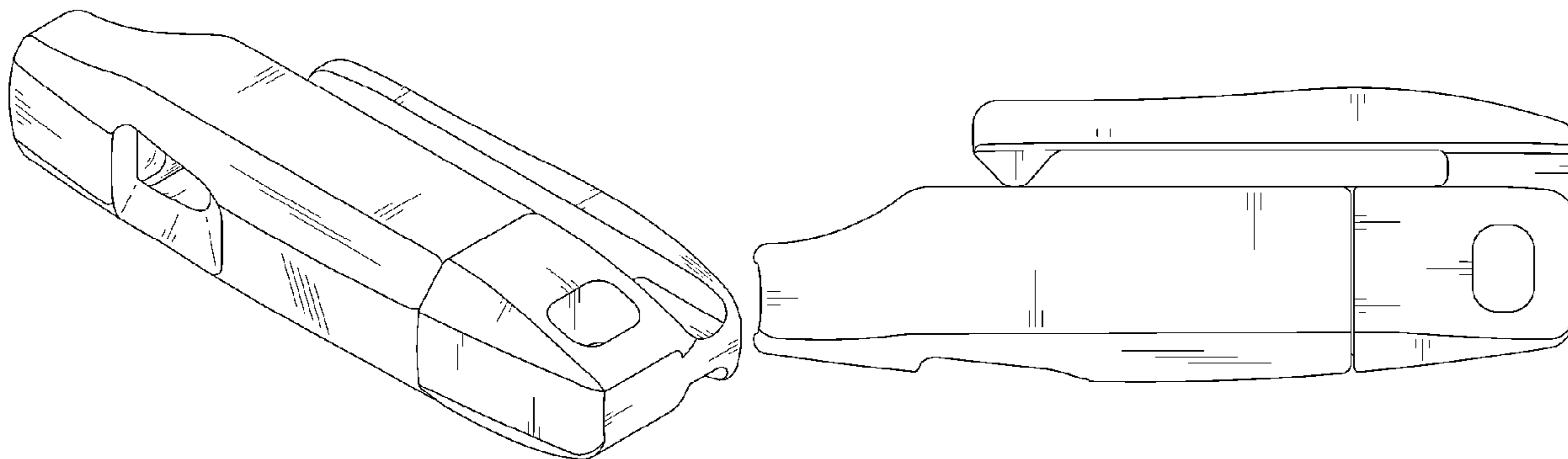
(57) **CLAIM**

The ornamental design for a whistle, as shown and described.

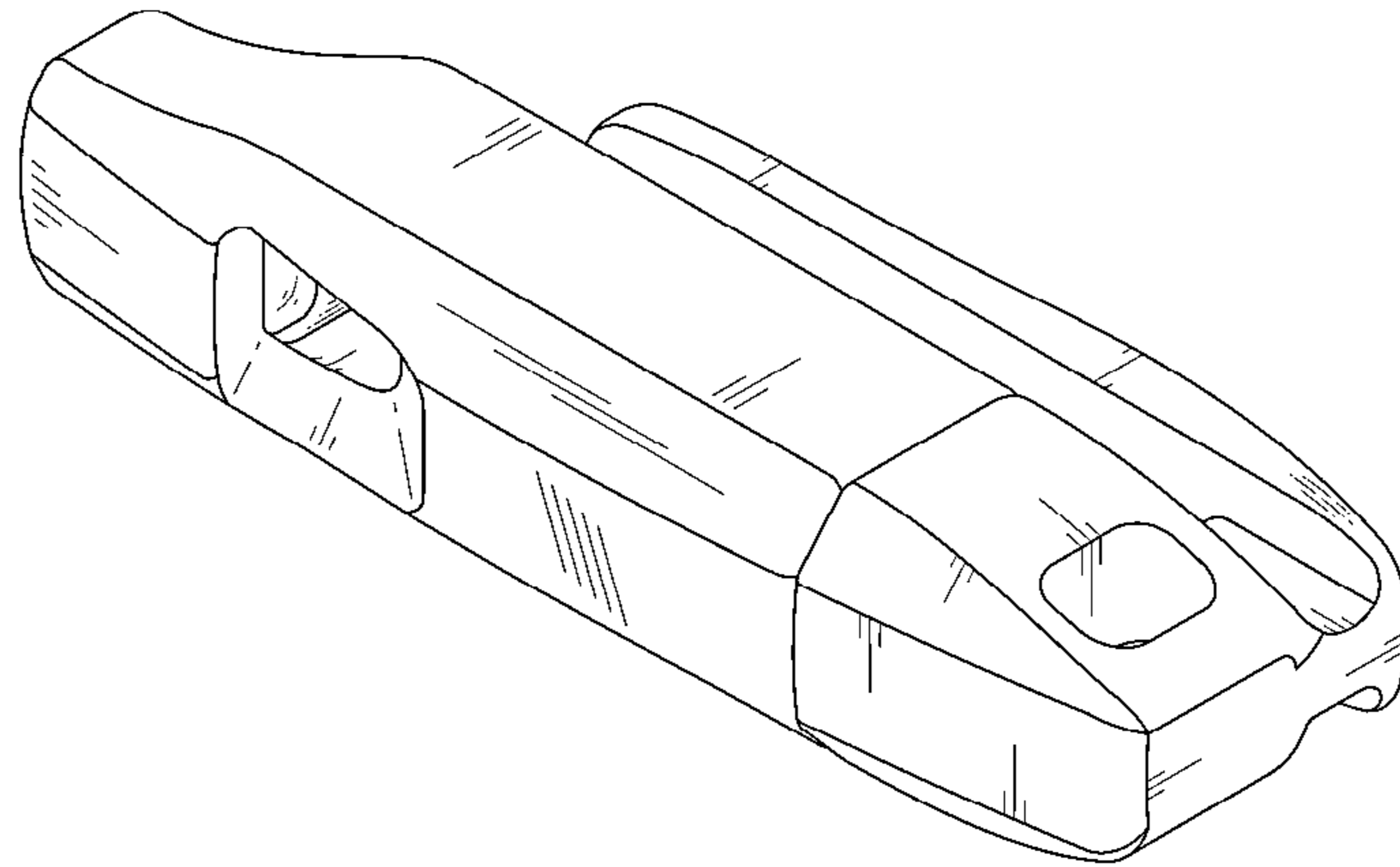
**DESCRIPTION**

FIG. 1 is a front, top, and right sides perspective view of a whistle, showing our new design;  
 FIG. 2 is a front view thereof;  
 FIG. 3 is a back view thereof;  
 FIG. 4 is a left side view thereof;  
 FIG. 5 is a right side view thereof;  
 FIG. 6 is a top view thereof;  
 FIG. 7 is a bottom view thereof;  
 FIG. 8 is a cross-sectional view taken along line 8-8 shown in FIG. 2;  
 FIG. 9 is an exploded view thereof; and,  
 FIG. 10 is a reference view showing the whistle in use.  
 The evenly spaced broken lines shown in FIG. 10 depict environment and form no part of the claimed design.

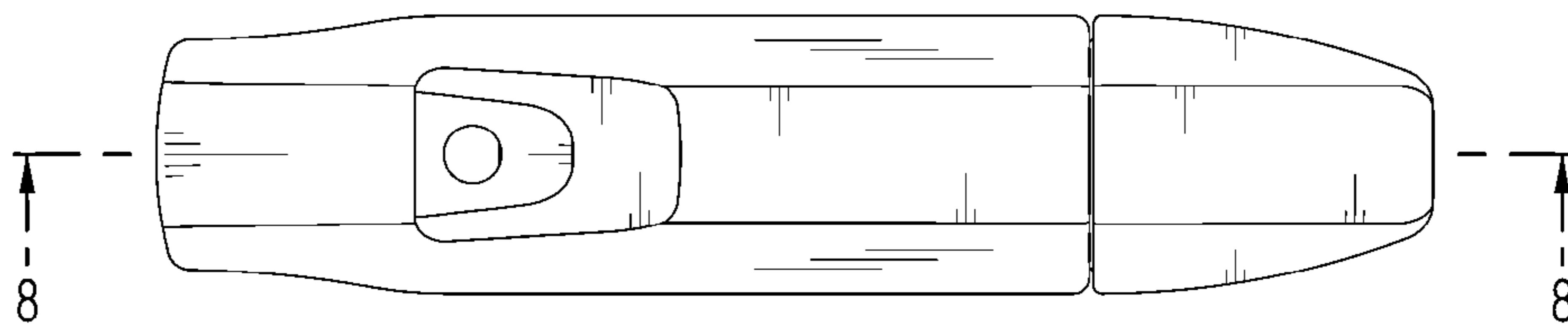
**1 Claim, 4 Drawing Sheets**



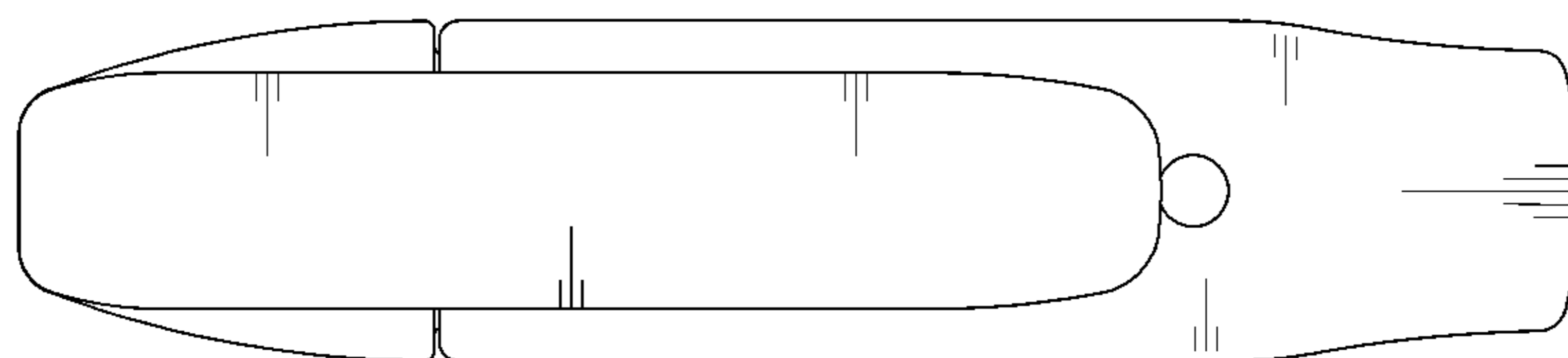
**FIG. 1**



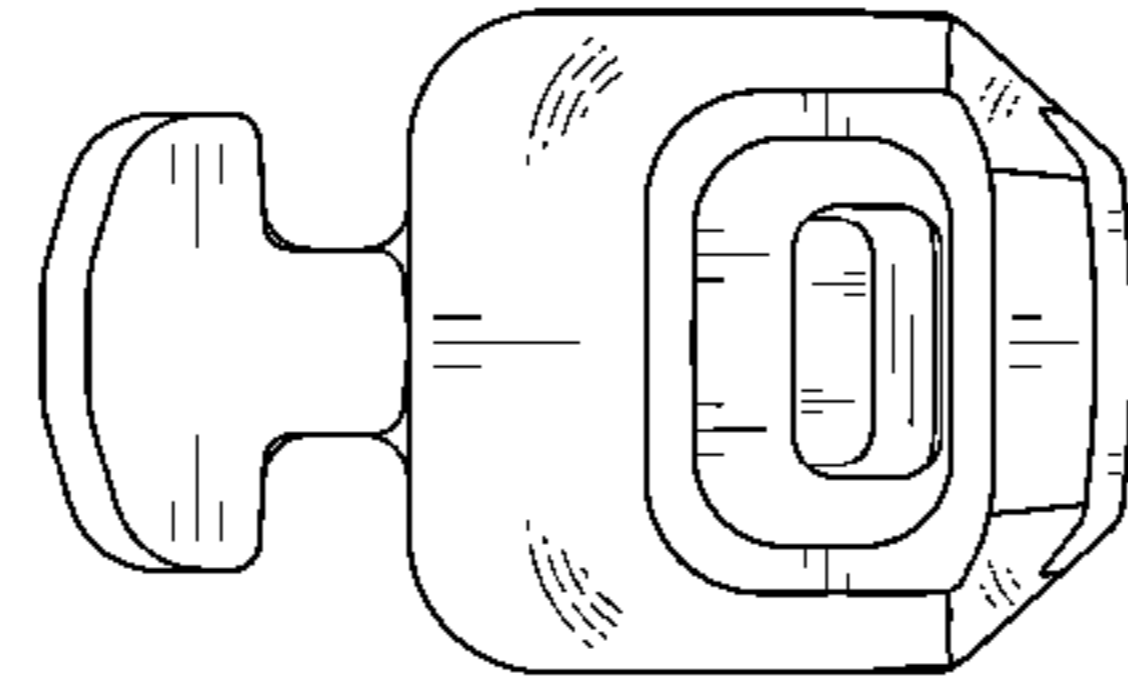
**FIG. 2**



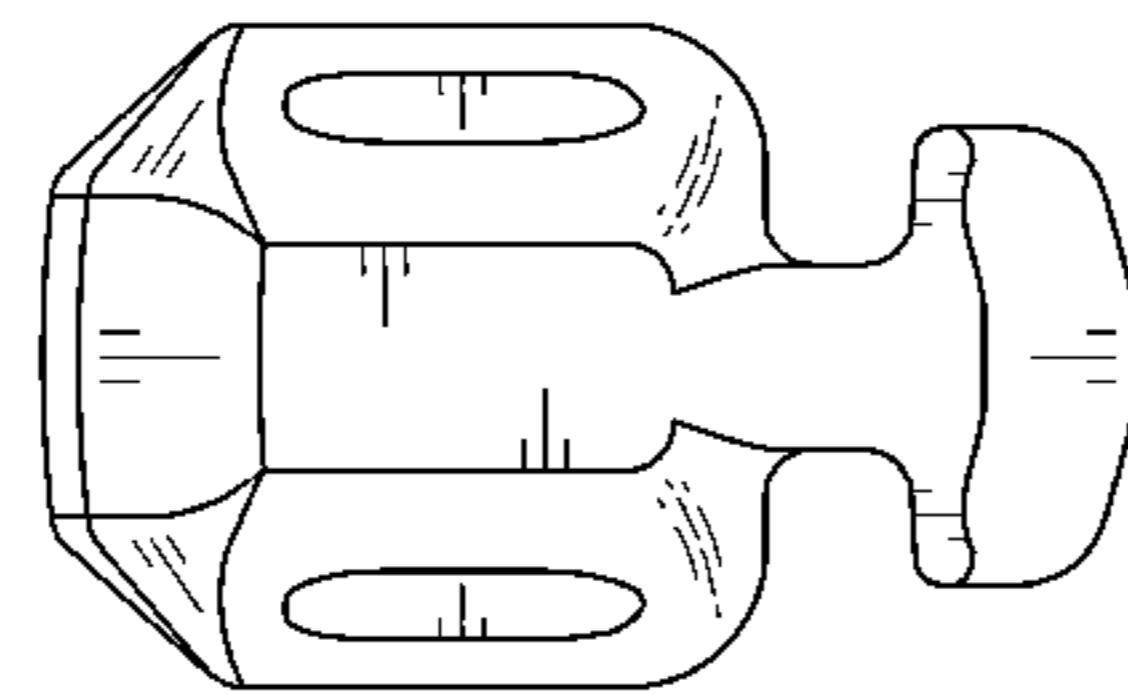
**FIG. 3**



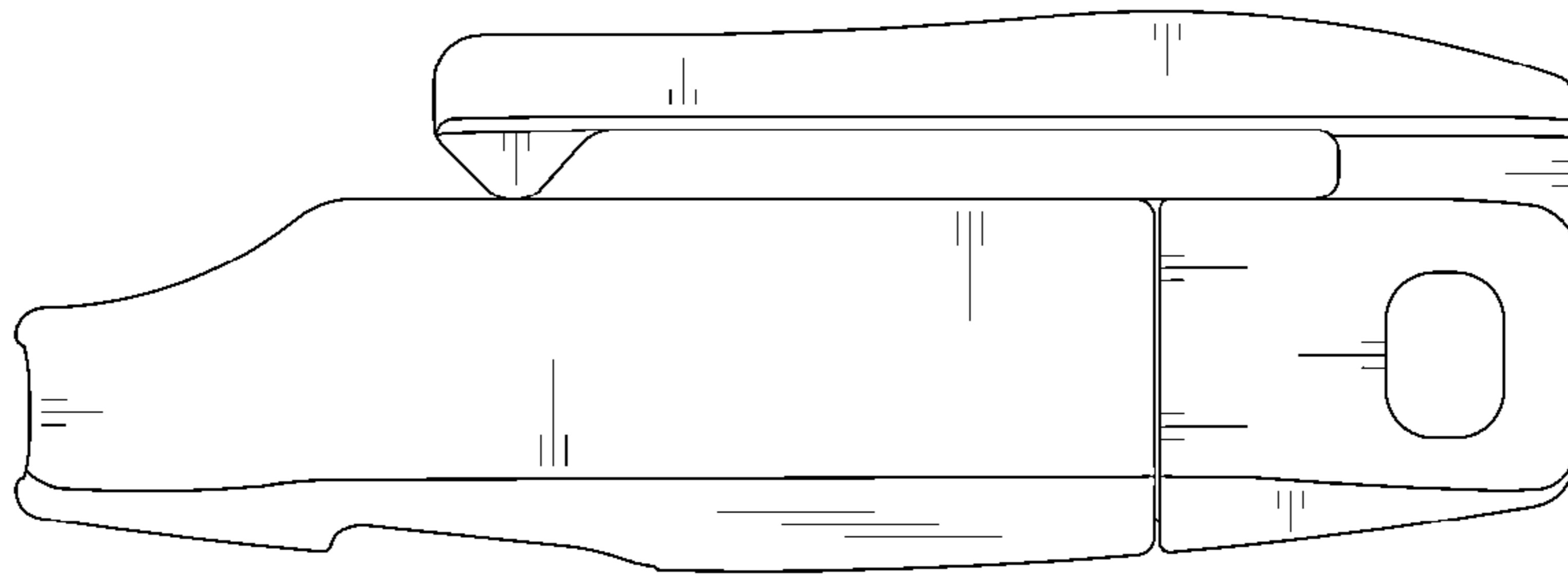
**FIG. 4**



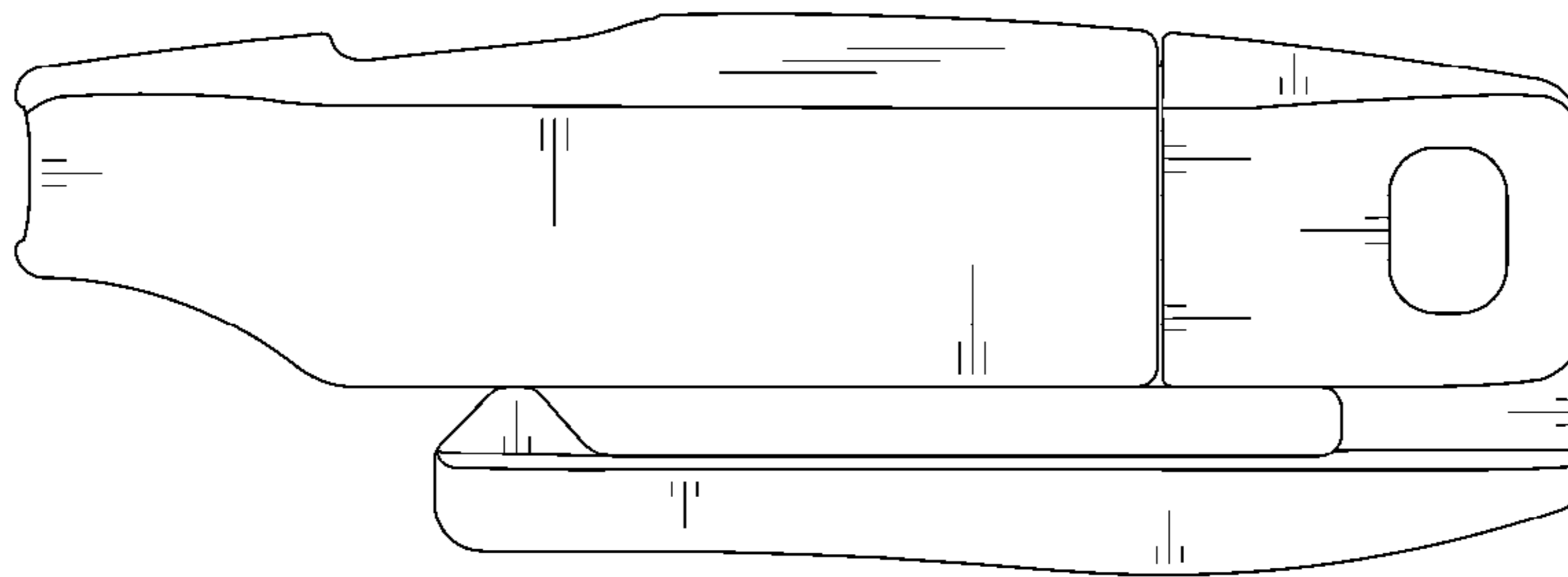
**FIG. 5**



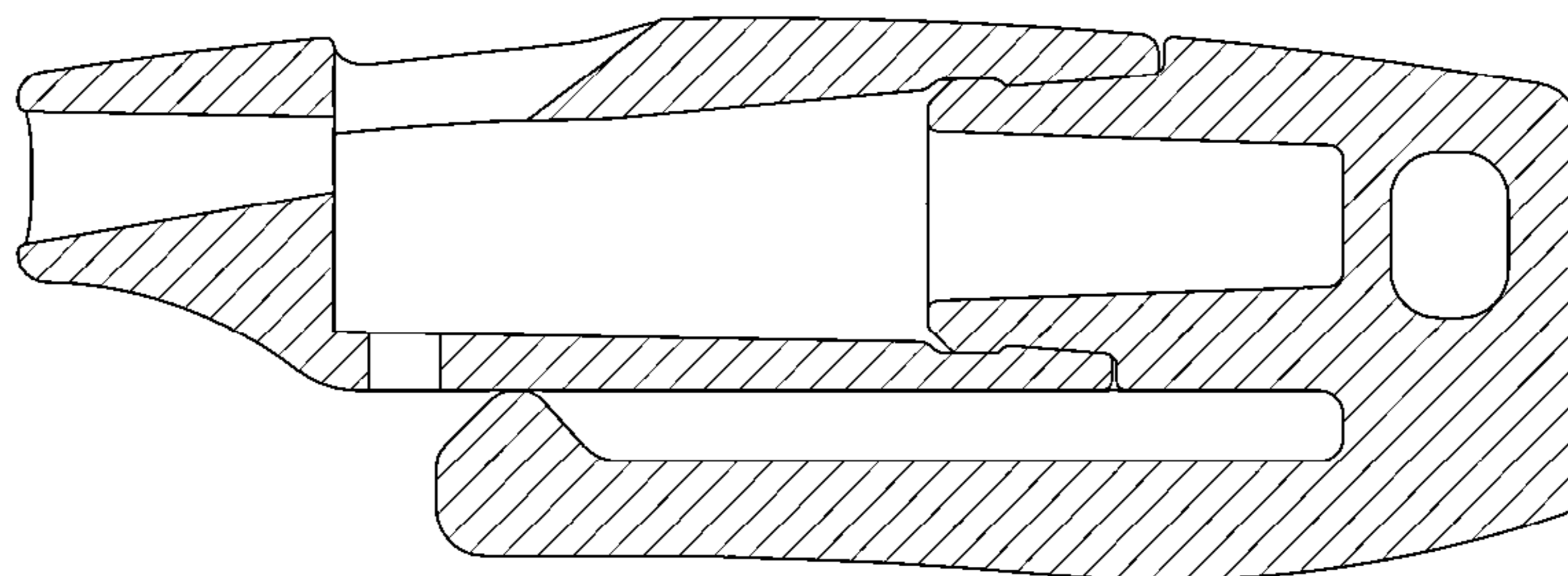
**FIG. 6**



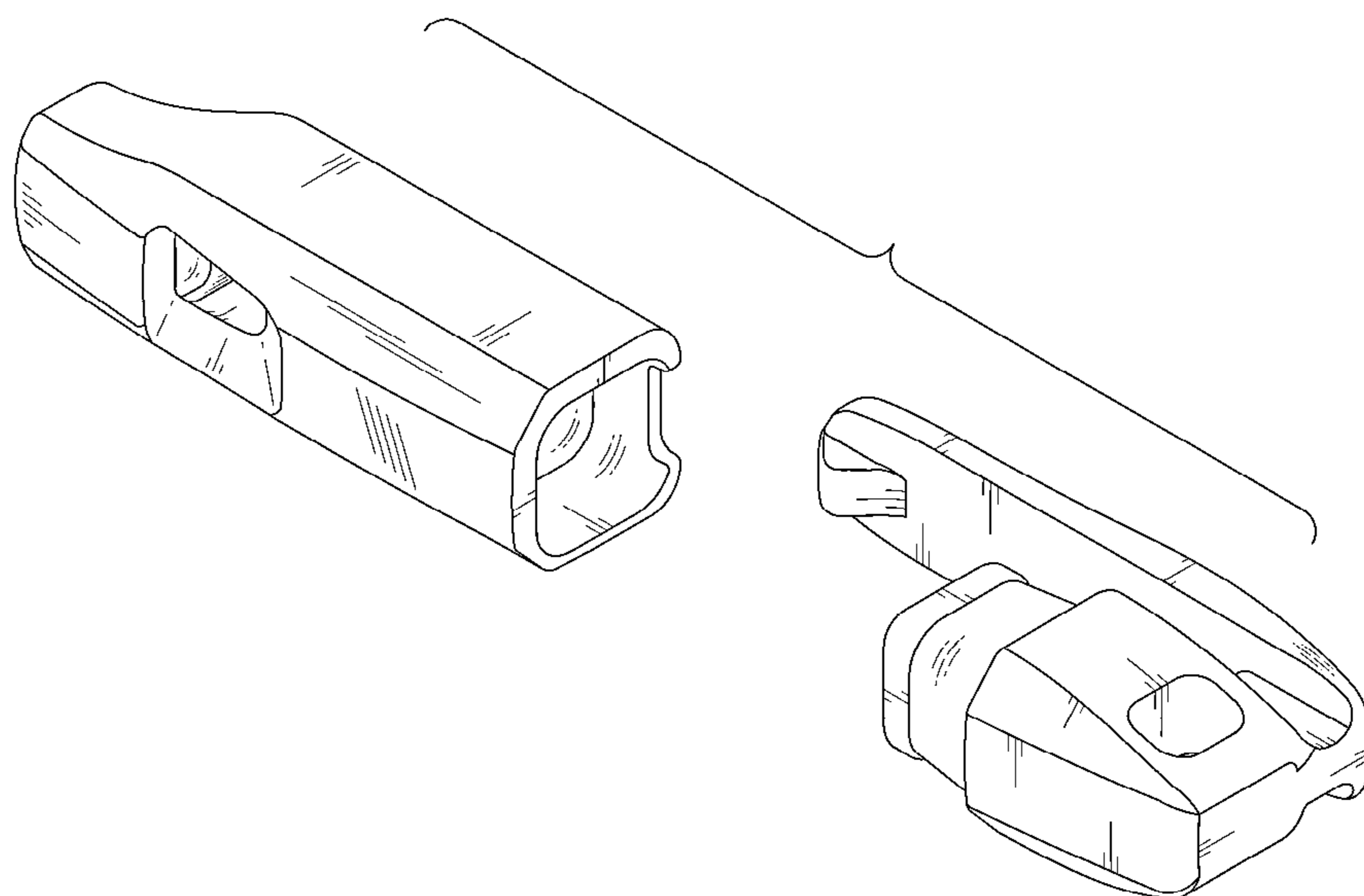
**FIG. 7**



**FIG. 8**



**FIG. 9**



**FIG. 10**

