

US00D960013S

(12) **United States Design Patent**
Konen et al.

(10) **Patent No.:** **US D960,013 S**
(45) **Date of Patent:** **** Aug. 9, 2022**

- (54) **ASSET ACTIVITY TRACKER**
- (71) Applicant: **Rooster, LLC**, Overland Park, KS (US)
- (72) Inventors: **Ryan R. Konen**, Shawnee, KS (US);
Aaron L. Dale, Prairie Village, KS (US);
John W. Scott, Oathe, KS (US);
Steve R. Hardwick, Overland Park, KS (US);
Dustin M. Gary, Topeka, KS (US);
Doran N. Schwartz, Kansas City, MO (US);
Jarrod B. Piper, Topeka, KS (US)
- (73) Assignee: **Rooster, LLC**, Overland Park, KS (US)
- (**) Term: **15 Years**
- (21) Appl. No.: **29/772,856**
- (22) Filed: **Mar. 4, 2021**
- (51) **LOC (13) Cl.** **10-05**
- (52) **U.S. Cl.**
USPC **D10/106.1**
- (58) **Field of Classification Search**
USPC D10/70, 104.1, 106.1, 128, 106.6;
D14/344, 242, 358, 230, 216, 496, 253,
D14/137; D16/237, 203
See application file for complete search history.

D746,166 S *	12/2015	Li	D10/104.1
D757,587 S *	5/2016	Li	D10/106.6
9,411,936 B2	8/2016	Landrum et al.	
D766,767 S	9/2016	Bowman et al.	
9,445,032 B2	9/2016	Muth	
9,654,931 B2	5/2017	Wang et al.	
D797,099 S	9/2017	Wieser et al.	
D797,100 S	9/2017	Wieser et al.	
9,794,095 B2	10/2017	Sornin et al.	
D804,531 S *	12/2017	Beck	D14/496
D808,938 S	1/2018	Gomez	
D809,493 S	2/2018	Konotopskyi et al.	
D812,577 S *	3/2018	Turksu	D10/104.1
9,913,230 B1	3/2018	Tyagi et al.	
9,960,933 B2	5/2018	Ghosh et al.	
D820,318 S *	6/2018	Mullins	D14/496
D825,549 S *	8/2018	Lebovitz	D14/253
10,075,813 B1	9/2018	Struhsaker et al.	
D829,690 S *	10/2018	Chen	D14/216
10,129,700 B2	11/2018	Singamsetty et al.	
D838,314 S	1/2019	Agarwal et al.	
10,197,661 B1	2/2019	Girimaji et al.	
10,212,494 B1	2/2019	Struhsaker et al.	
D843,953 S	3/2019	Read	
10,225,009 B2	3/2019	Cress et al.	

(Continued)

Primary Examiner — George D. Kirschbaum
(74) *Attorney, Agent, or Firm* — Polsinelli PC

(57) **CLAIM**

The ornamental design for an asset activity tracker, as shown and described.

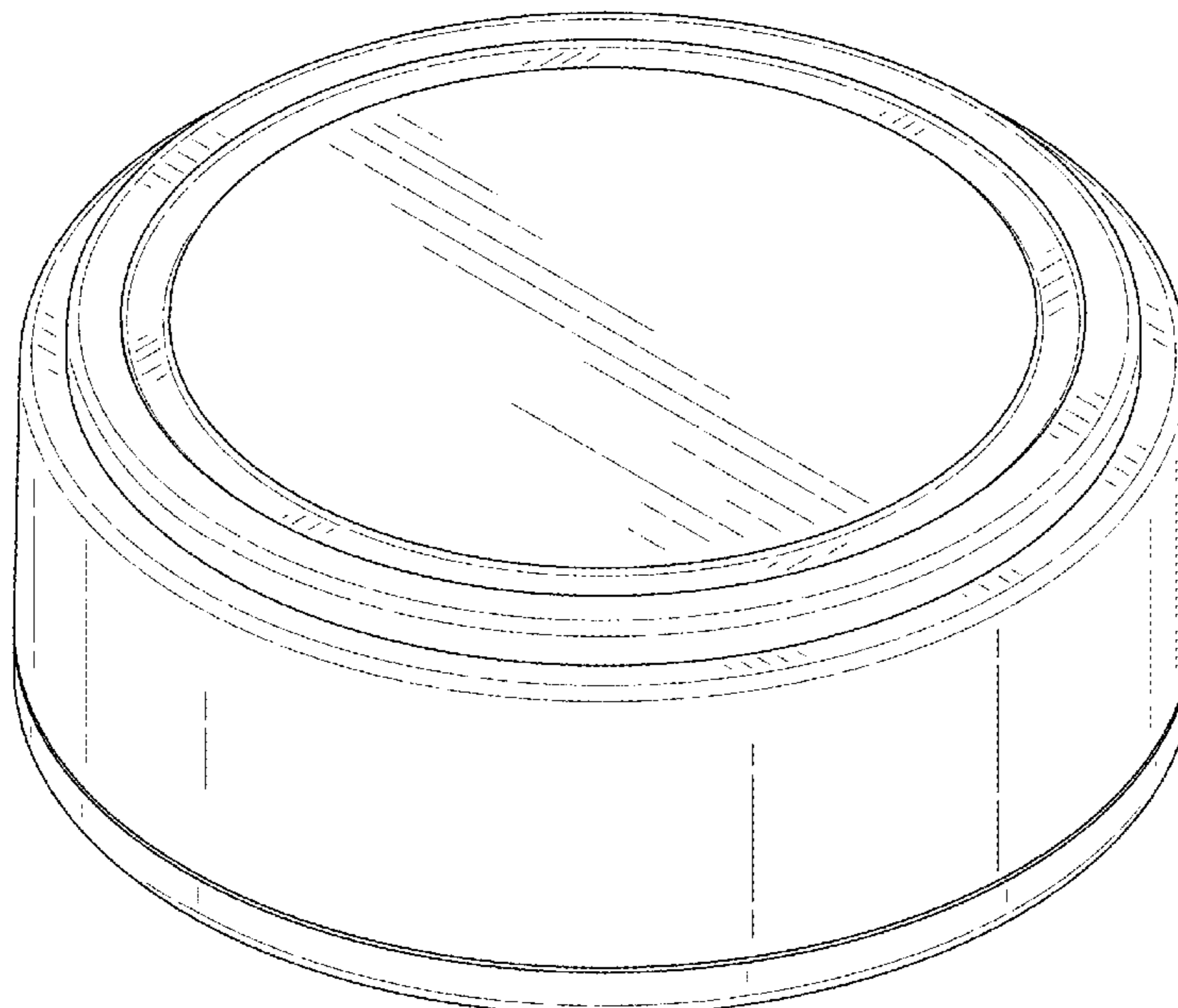
DESCRIPTION

FIG. 1 is a top perspective view of an asset activity tracker showing our new design.
FIG. 2 is a bottom perspective view thereof.
FIG. 3 is a side view thereof.
FIG. 4 is a top view thereof; and,
FIG. 5 is a bottom view thereof.

1 Claim, 5 Drawing Sheets

(56) **References Cited**
U.S. PATENT DOCUMENTS

5,892,441 A	4/1999	Woolley et al.	
D418,142 S *	12/1999	Liimatainen	D14/230
D554,614 S *	11/2007	Lin	D14/509
7,702,290 B1	4/2010	Myers	
8,125,896 B2	2/2012	Cohen et al.	
D658,640 S *	5/2012	Ivaskevicius	D14/242
8,213,405 B2	7/2012	Horn et al.	
D729,859 S *	5/2015	Shin	D16/203



(56)

References Cited

U.S. PATENT DOCUMENTS

10,231,267 B2 3/2019 Lee et al.
 D849,704 S * 5/2019 Kim D14/137
 D850,444 S 6/2019 Mullins et al.
 D850,941 S 6/2019 Israni
 D852,077 S * 6/2019 Seaberry D10/118
 10,313,842 B2 6/2019 Nolan et al.
 10,326,556 B2 6/2019 Batura et al.
 10,334,333 B2 6/2019 Struhsaker et al.
 D854,010 S 7/2019 Deng et al.
 10,356,820 B1 7/2019 Kim et al.
 D855,595 S * 8/2019 Yang D14/242
 D856,327 S 8/2019 Huang
 10,383,060 B2 8/2019 Gilson et al.
 D858,499 S * 9/2019 Yang D14/242
 10,455,640 B2 10/2019 Nolan et al.
 10,475,323 B1 11/2019 Ross
 10,477,549 B2 11/2019 Watts
 D868,608 S * 12/2019 Ou D10/106.6
 10,505,662 B2 12/2019 Vissers et al.
 D875,087 S 2/2020 Petros
 D883,329 S * 5/2020 Shi D14/496
 D886,759 S * 6/2020 Bailey D14/149
 D895,465 S * 9/2020 Loew D10/106.6
 D896,798 S * 9/2020 Yang D14/230
 10,854,061 B2 12/2020 Skaaksrud
 10,855,321 B2 12/2020 Zalewski et al.
 D912,032 S * 3/2021 He D14/242
 D918,988 S * 5/2021 Au D16/237
 D922,225 S * 6/2021 Densham D10/70

D923,495 S * 6/2021 Densham D10/70
 D935,918 S * 11/2021 Wheaton D10/70
 D936,505 S * 11/2021 Umair D10/70
 D937,108 S * 11/2021 Wheaton D10/70
 D940,672 S * 1/2022 Unter Ecker D14/125
 D945,288 S * 3/2022 Chaumont D10/70
 D946,571 S * 3/2022 Garipov D14/358
 2002/0024443 A1 2/2002 Hawkins et al.
 2005/0174235 A1 8/2005 Davis et al.
 2006/0009240 A1 1/2006 Katz
 2007/0021100 A1 1/2007 Haave et al.
 2008/0040244 A1 2/2008 Ricciuti et al.
 2008/0061963 A1 3/2008 Schnitz et al.
 2009/0042561 A1 2/2009 Jackson
 2009/0125918 A1 5/2009 Kansal et al.
 2010/0265061 A1 10/2010 Harmon
 2011/0260858 A1 10/2011 Eruchimovitch et al.
 2013/0322400 A1 12/2013 Visuri et al.
 2014/0055243 A1 2/2014 Kerai
 2014/0357295 A1 12/2014 Skomra et al.
 2015/0002274 A1 1/2015 Sengstaken, Jr.
 2015/0381737 A1 12/2015 Quinn et al.
 2016/0284185 A1 9/2016 Maison et al.
 2016/0323156 A1 11/2016 Zakaria
 2017/0278061 A1 9/2017 Skaaksrud
 2018/0124590 A1 5/2018 O'Connell et al.
 2018/0139274 A1 5/2018 Gandhi et al.
 2018/0191717 A1 7/2018 Rajagopal et al.
 2019/0069241 A1 2/2019 Gilson et al.
 2019/0281370 A1 9/2019 Struhsaker et al.
 2020/0051015 A1 2/2020 Davis et al.
 2020/0314742 A1 10/2020 Jantzi et al.

* cited by examiner

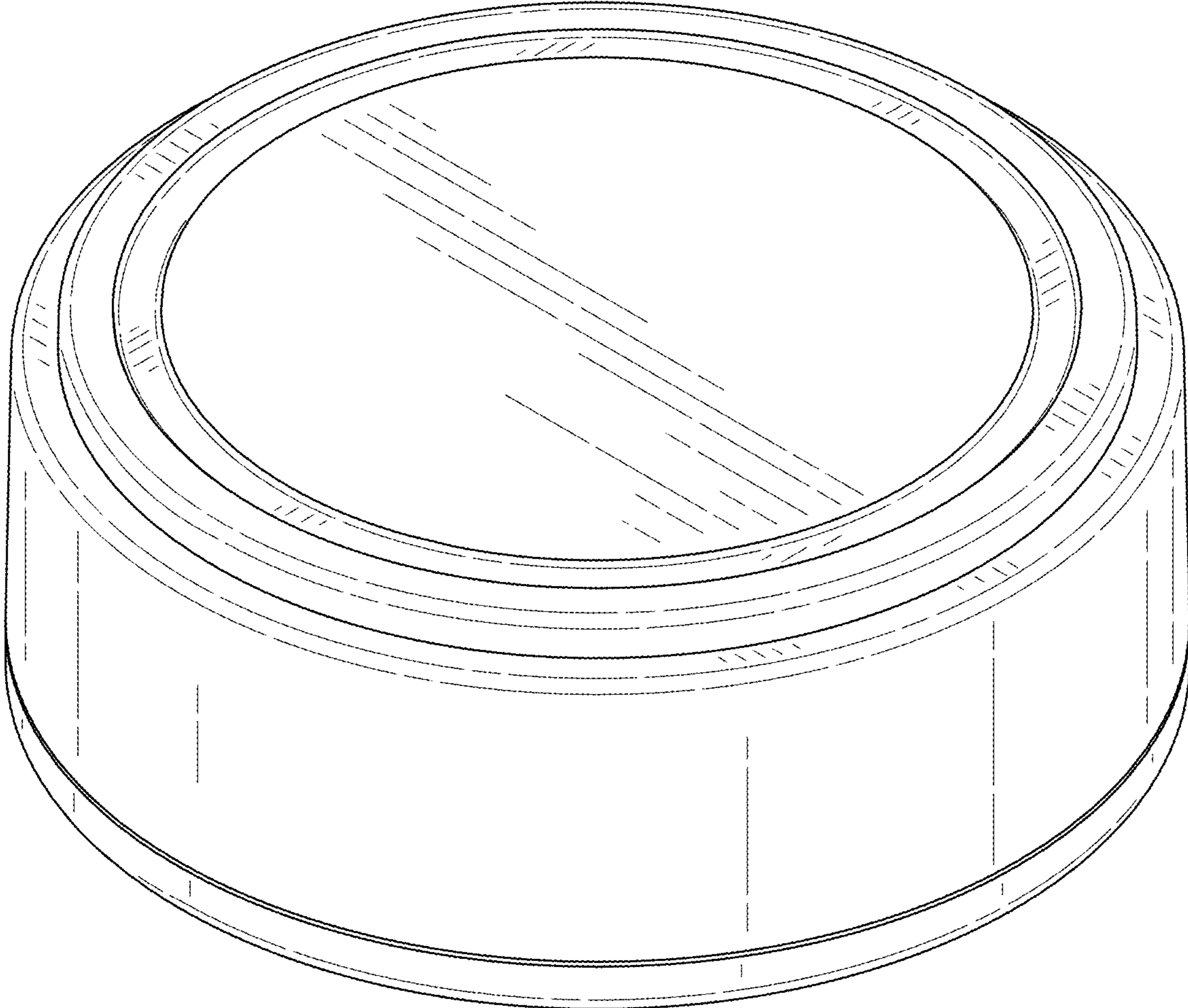


FIG.1

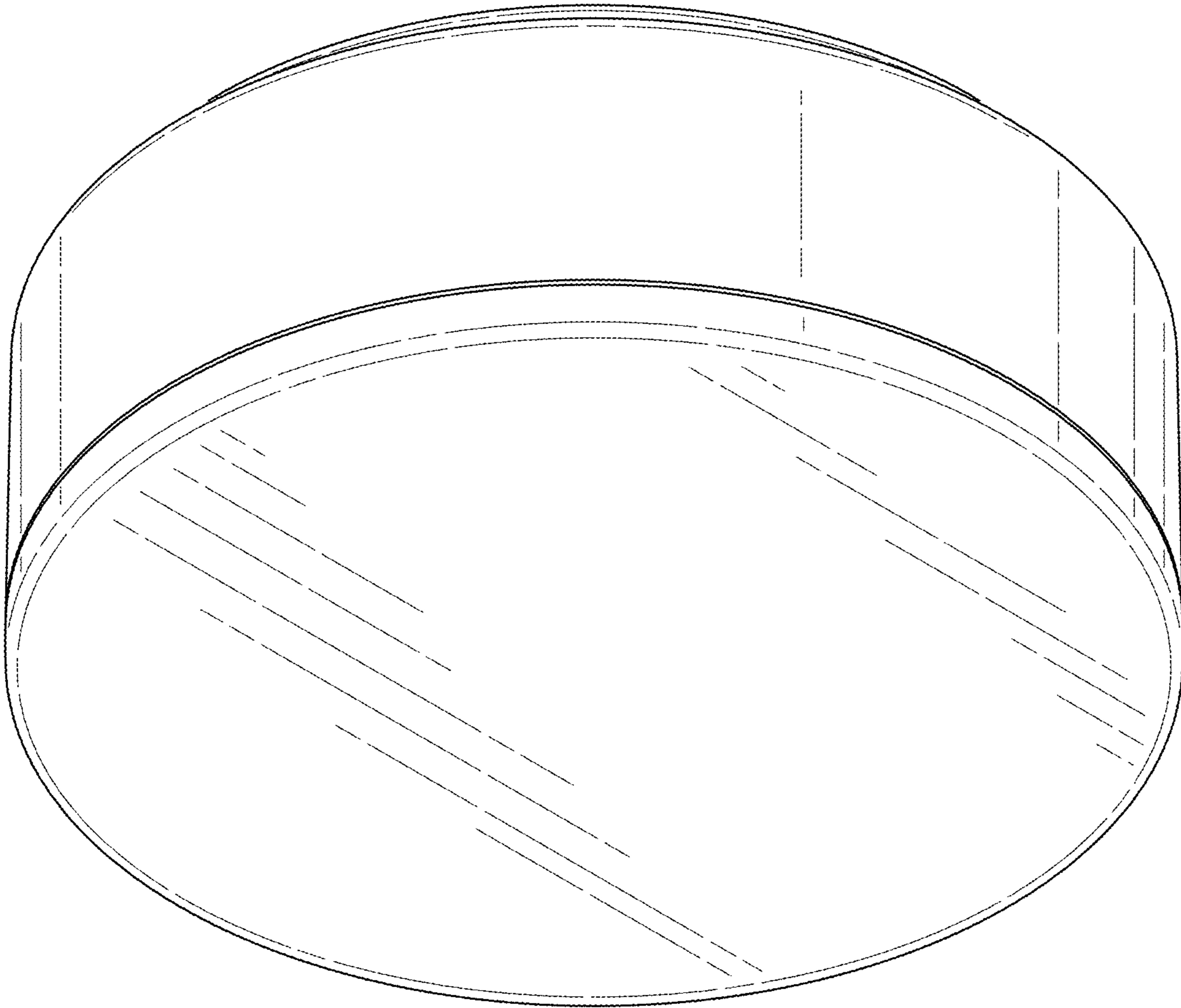


FIG.2

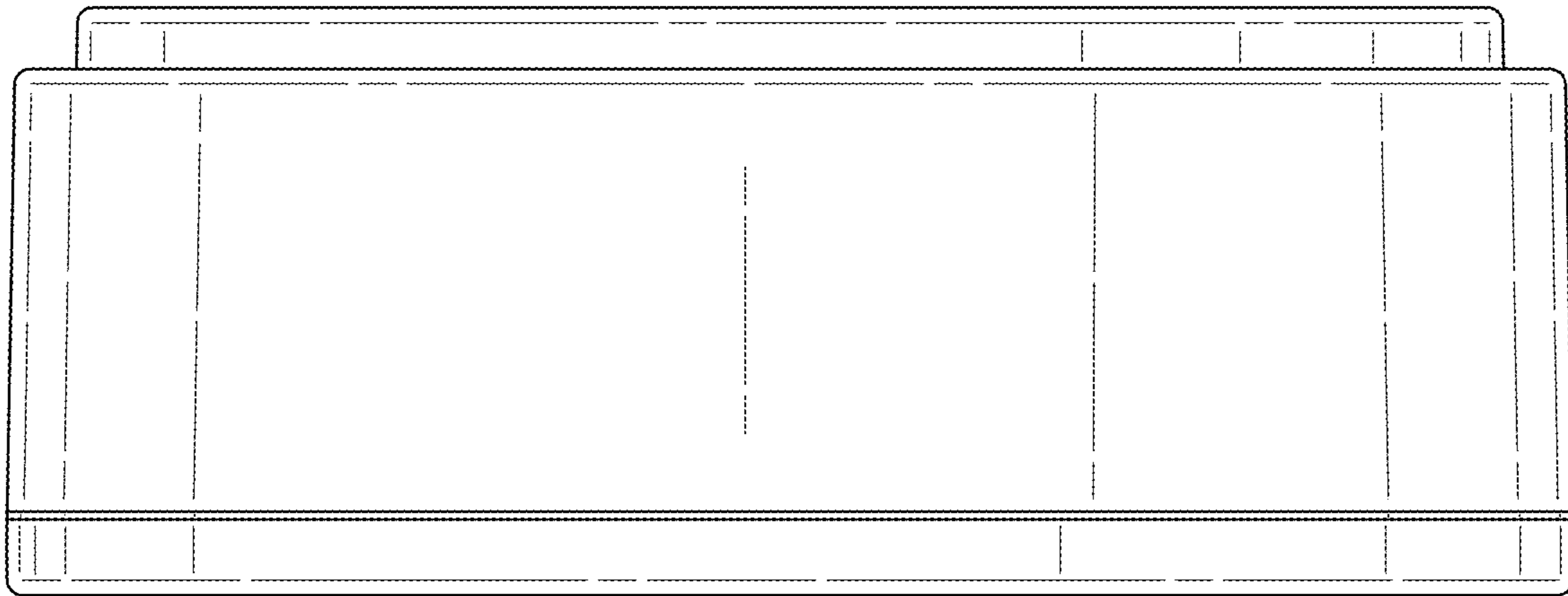


FIG.3

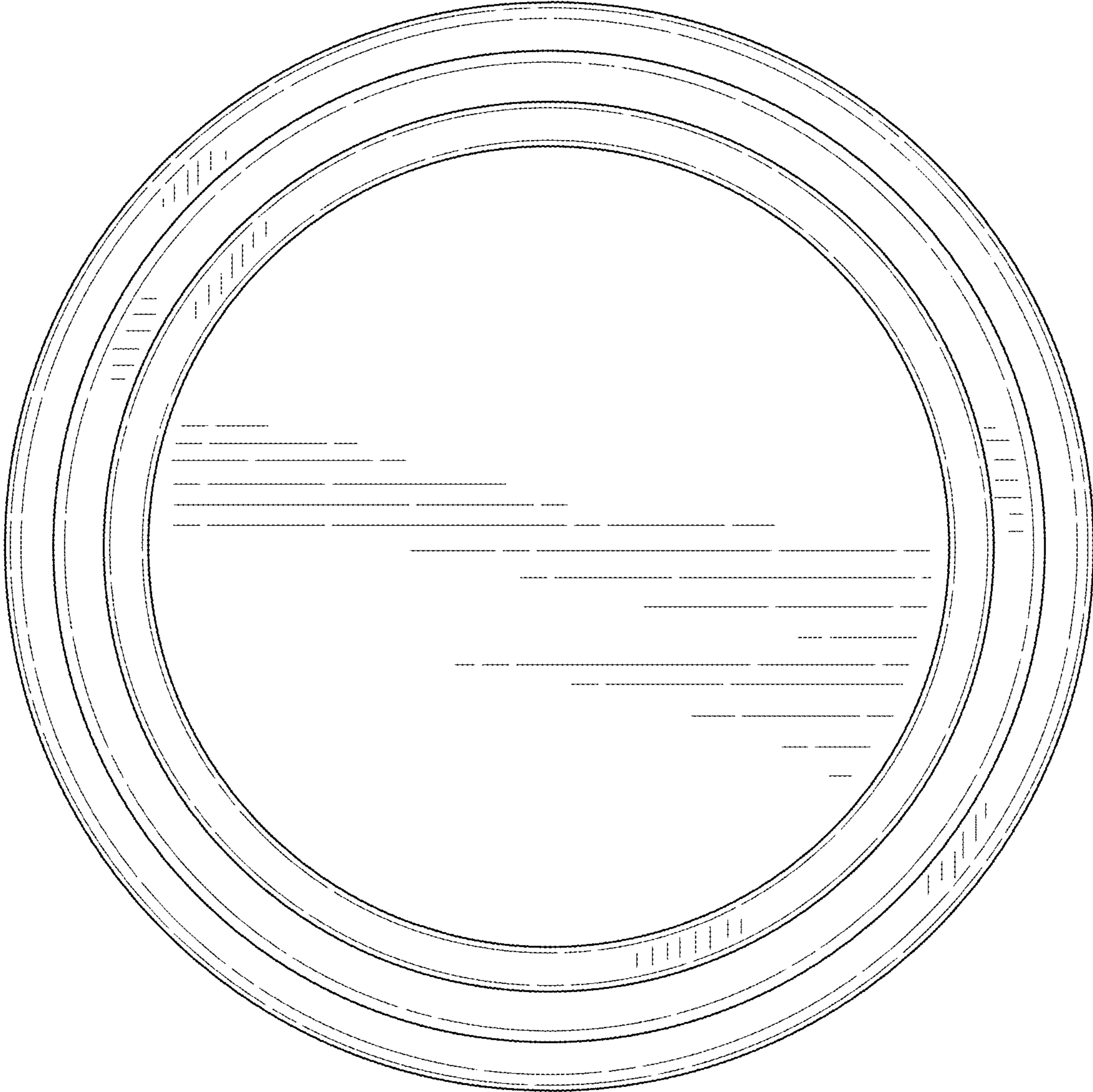


FIG.4



FIG.5