

US00D960012S

(12) **United States Design Patent** (10) **Patent No.:** **US D960,012 S**  
**Cho** (45) **Date of Patent:** **\*\* Aug. 9, 2022**

(54) **SECURITY DEVICE FOR DISPLAY**  
(71) Applicant: **Woo-Seok Cho**, Suwon-si (KR)  
(72) Inventor: **Woo-Seok Cho**, Suwon-si (KR)  
(73) Assignee: **MCORE CO., LTD.**, Suwon-si (KR)  
(\*\*) Term: **15 Years**  
(21) Appl. No.: **29/734,377**  
(22) Filed: **May 12, 2020**  
(51) **LOC (13) Cl.** ..... **10-05**  
(52) **U.S. Cl.**  
USPC ..... **D10/104.1**  
(58) **Field of Classification Search**  
USPC ..... D10/104.1, 106.9, 106.91-94; D8/323,  
D8/329; D13/108; D14/253, 341, 447;  
D19/91  
CPC ..... G09F 1/10; F16M 11/10; A47G 1/142;  
G08B 13/1409; G08B 13/1445; G08B  
13/1481  
See application file for complete search history.

D633,149 S \* 2/2011 Parshad ..... D19/91  
D666,614 S \* 9/2012 Ding ..... D14/253  
D673,961 S \* 1/2013 Matsui ..... D14/447  
D679,209 S \* 4/2013 Reynolds ..... D10/106.91  
D710,181 S \* 8/2014 Christensen ..... D8/323  
D743,485 S \* 11/2015 deBretton Gordon ..... D19/91  
D787,441 S \* 5/2017 Lee ..... D13/108  
D816,666 S \* 5/2018 Jiang ..... D14/341  
D847,820 S \* 5/2019 Pisapia ..... D14/447  
D860,196 S \* 9/2019 Fan ..... D14/341  
D922,998 S \* 6/2021 Fan ..... D14/341  
D929,393 S \* 8/2021 Chen ..... D14/253  
D944,806 S \* 3/2022 Zhang ..... D14/447  
D946,515 S \* 3/2022 Zhang ..... D14/447  
2019/0078727 A1\* 3/2019 Phifer ..... F16M 11/10  
2021/0330075 A1\* 10/2021 Gulick ..... F16M 11/10

\* cited by examiner

*Primary Examiner* — George D. Kirschbaum  
*Assistant Examiner* — Lillian Windham  
(74) *Attorney, Agent, or Firm* — John K. Park; Park Law Firm

(57) **CLAIM**

The ornamental design for a security device for display, as shown and described.

(56) **References Cited**

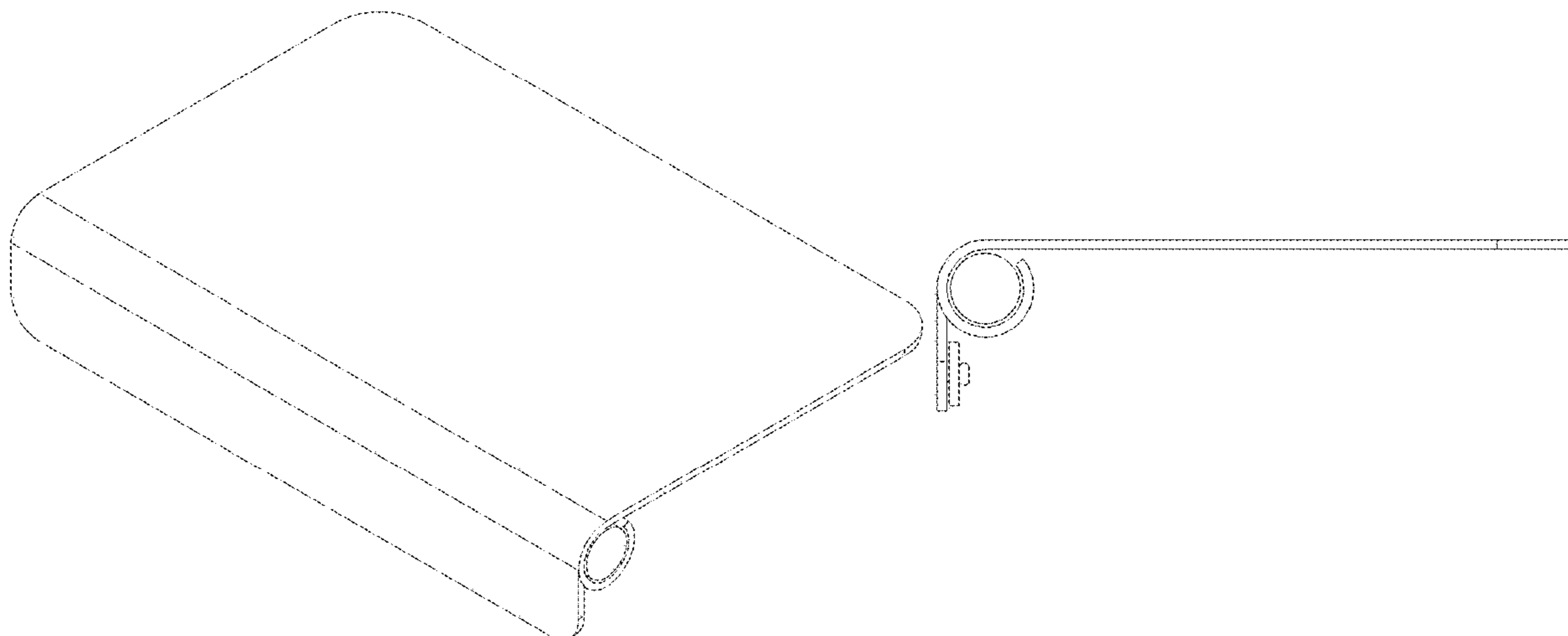
U.S. PATENT DOCUMENTS

2,285,176 A \* 6/1942 Taylor ..... G09F 1/10  
40/652  
2,304,795 A \* 12/1942 Bricker ..... A47G 1/142  
D19/91  
3,914,888 A \* 10/1975 Garrison ..... A47G 1/142  
40/658  
D412,893 S \* 8/1999 Newman ..... D19/91  
D455,755 S \* 4/2002 Levine ..... D14/447  
D566,519 S \* 4/2008 Whinery ..... D8/329  
D607,817 S \* 1/2010 Tan ..... D13/108

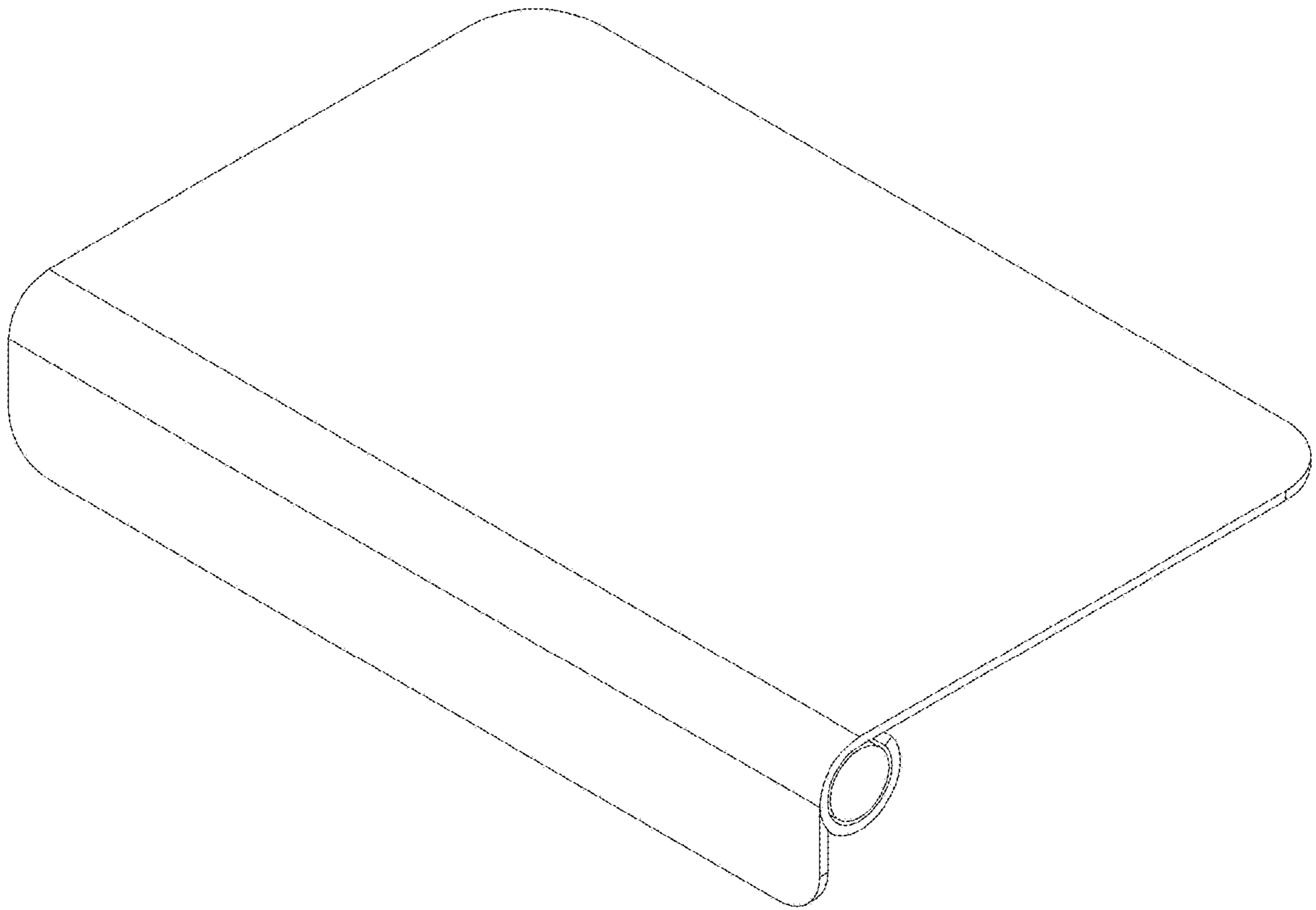
**DESCRIPTION**

FIG. 1 is a perspective view of the security device for display showing my new design;  
FIG. 2 is a front view thereof;  
FIG. 3 is a rear view thereof;  
FIG. 4 is a left side view thereof;  
FIG. 5 is a right side view thereof;  
FIG. 6 is a top plan view thereof; and,  
FIG. 7 is a bottom plan view.

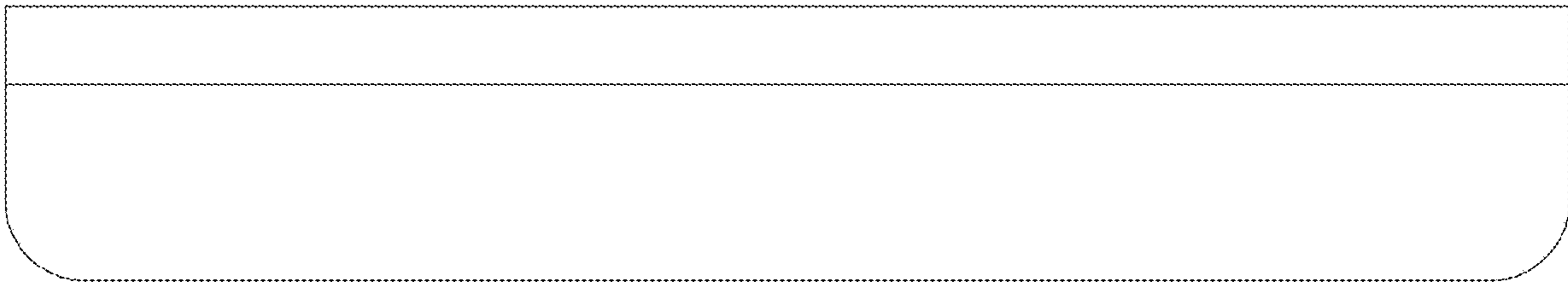
**1 Claim, 5 Drawing Sheets**



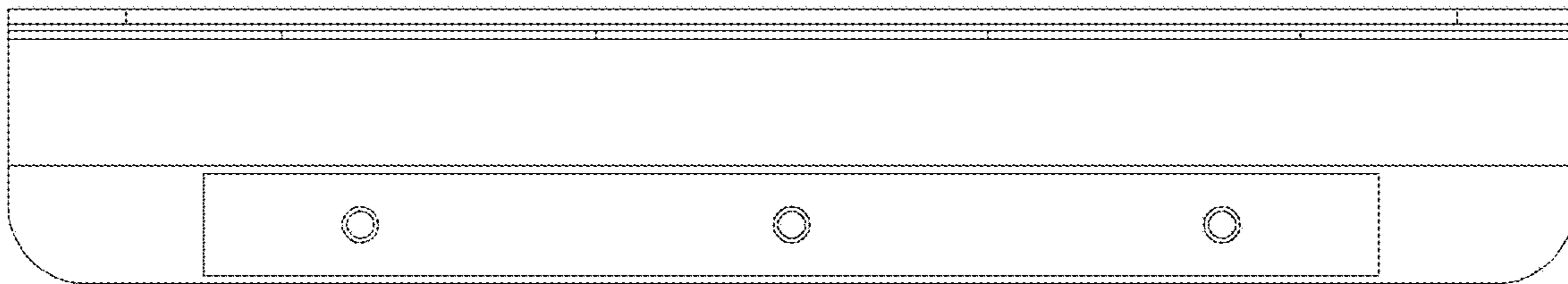
**Fig.1**



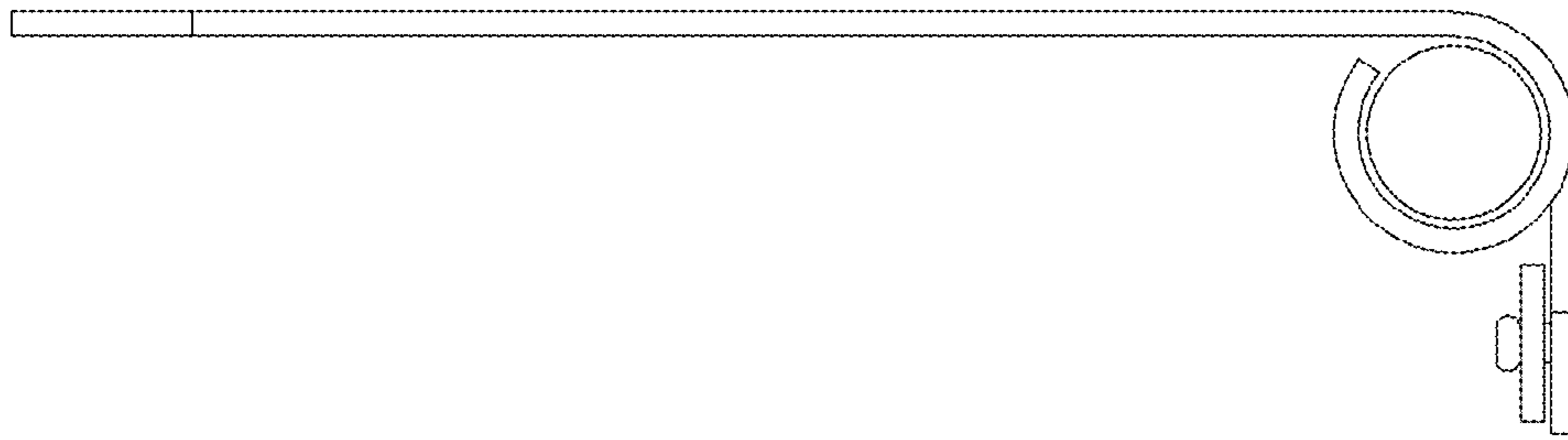
**Fig.2**



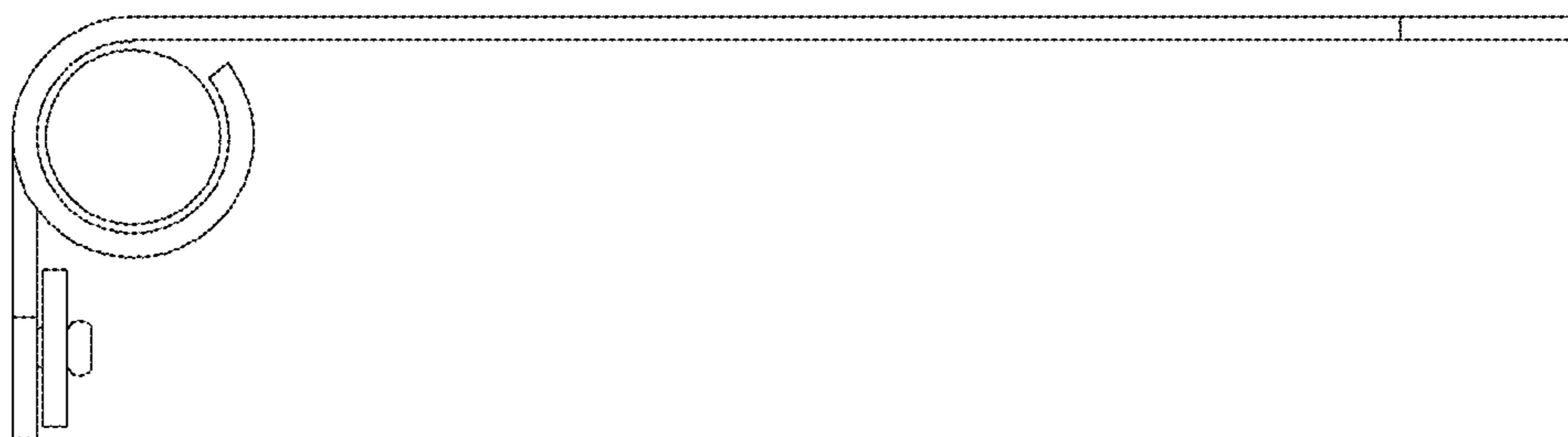
**Fig.3**



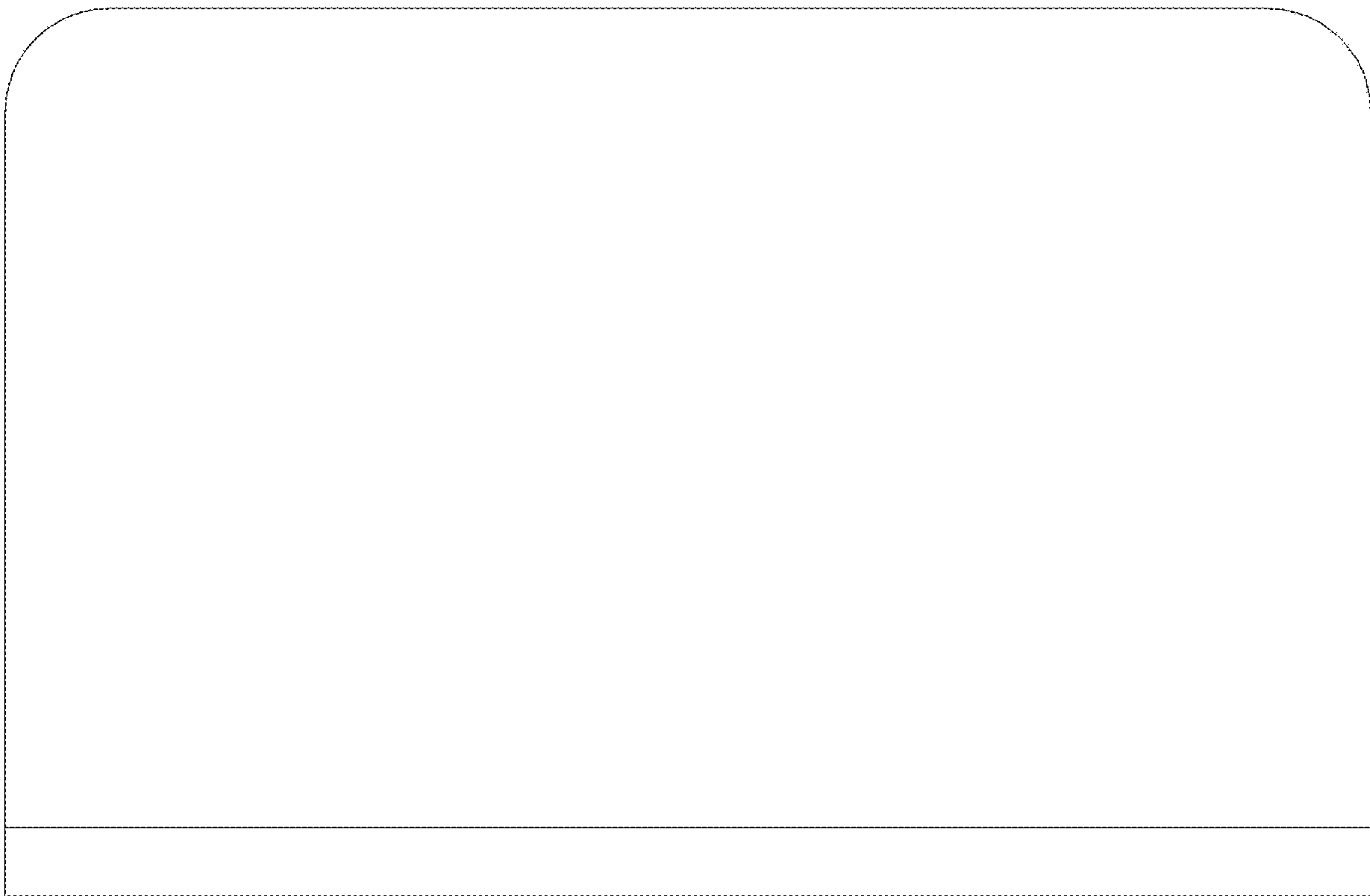
**Fig.4**



**Fig.5**



**Fig.6**



**Fig.7**

