

US00D960011S

(12) **United States Design Patent**
Joshi et al.

(10) **Patent No.:** **US D960,011 S**
(45) **Date of Patent:** **** Aug. 9, 2022**

(54) **MODULAR SENSING AND TRANSMITTING APPARATUS**

(71) Applicant: **Koko Home, Inc.**, Palo Alto, CA (US)

(72) Inventors: **Kiran R. Joshi**, Palo Alto, CA (US);
Akihiko Sugiura, Palo Alto, CA (US)

(73) Assignee: **Koko Home, Inc.**, Palo Alto, CA (US)

(**) Term: **15 Years**

(21) Appl. No.: **29/755,247**

(22) Filed: **Oct. 19, 2020**

Related U.S. Application Data

(62) Division of application No. 29/684,966, filed on Mar. 25, 2019, now Pat. No. Des. 902,759.

(51) **LOC (13) Cl.** **10-04**

(52) **U.S. Cl.**
USPC **D10/103**

(58) **Field of Classification Search**

USPC ... D10/46, 49, 70, 102, 104.1, 106.1, 106.6,
D10/106.95; D13/158, 162, 177, 184;
D14/358, 168, 188

CPC H04Q 2201/10; H04Q 2213/003; H04Q
1/02; H04Q 1/025; H04Q 2011/0007;
H04Q 2213/13003; H03K 17/9505; H03K
2217/960755; B60R 25/1004; B60R
21/01516; B60R 21/01512; B60R
2325/304; G08B 21/0202; G08B 25/016;
G08B 21/22; G08B 21/24; G08B 21/02;
H05B 37/0227; H05B 37/029; H05B
37/0272; H05B 37/0281; H02J 13/0086;
G01D 4/00; Y02B 90/245; Y02B 60/142;
Y04S 20/38; Y04S 20/40; Y04S 20/46;
F24F 11/0086; F24F 11/0012; F24F
11/0034; F24F 2011/0047; F24F
2011/0091; F24F 2011/0058; H04L
12/282; G08C 19/16; G05B 15/02; G05B

2219/23172; G05B 2219/2642; G05B
2219/25271; G06F 9/5094; G06F 1/3206

See application file for complete search history.

(56) **References Cited**

U.S. PATENT DOCUMENTS

D351,114 S * 10/1994 Wright D10/103
D361,730 S * 8/1995 Wright D10/103
D562,805 S * 2/2008 Tokuno D14/216

(Continued)

OTHER PUBLICATIONS

“U.S. Appl. No. 29/684,966, Non Final Office Action dated Apr. 6, 2020”, 14 pgs.

(Continued)

Primary Examiner — Antoine Duval Davis

(74) *Attorney, Agent, or Firm* — Schwegman Lundberg & Woessner, P.A.

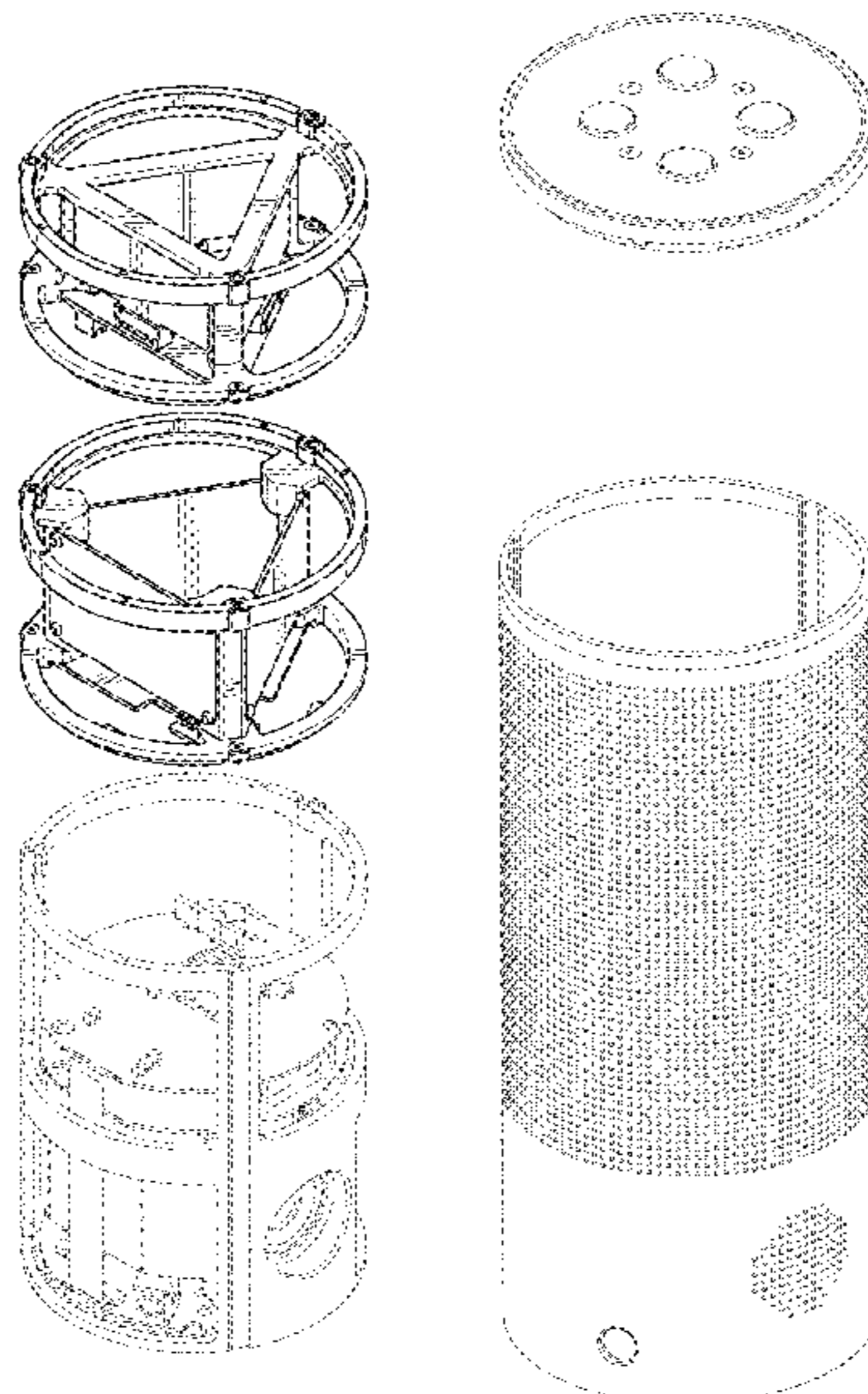
(57) **CLAIM**

The ornamental design for modular sensing and transmitting apparatus, as shown and described.

DESCRIPTION

FIG. 1 is a perspective view illustrating a modular sensing and transmitting apparatus detailing our new design according to an embodiment of the present invention; FIG. 2 is a back view of the apparatus of FIG. 1; FIG. 3 is a front view of the apparatus of FIG. 1; FIG. 4 is a first side view of the apparatus of FIG. 1; FIG. 5 is a second side view of the apparatus of FIG. 1; FIG. 6 is a top view of the apparatus of FIG. 1; and, FIG. 7 is a bottom view of the apparatus of FIG. 1. The broken line shown of environment and all views are for illustrative purposes only and forms no part of the claimed design.

1 Claim, 7 Drawing Sheets



(56)

References Cited

U.S. PATENT DOCUMENTS

D581,927 S * 12/2008 Sumii D14/356
7,639,478 B2 * 12/2009 Wu H05K 5/0008
361/679.01
D609,718 S * 2/2010 Chang D14/203.3
D619,119 S * 7/2010 Graber D14/216
D633,898 S * 3/2011 Seo D14/216
D675,190 S * 1/2013 Nysten D14/215
D686,186 S * 7/2013 Kaneko D14/496
D687,017 S * 7/2013 Ashcraft D14/216
D902,759 S 11/2020 Joshi et al.

OTHER PUBLICATIONS

“U.S. Appl. No. 29/684,966, Response filed Jul. 6, 2020 to Non Final Office Action dated Apr. 6, 2020”, 11 pgs.

“U.S. Appl. No. 29/684,966, Notice of Allowance dated Jul. 27, 2020”, 8 pgs.

* cited by examiner

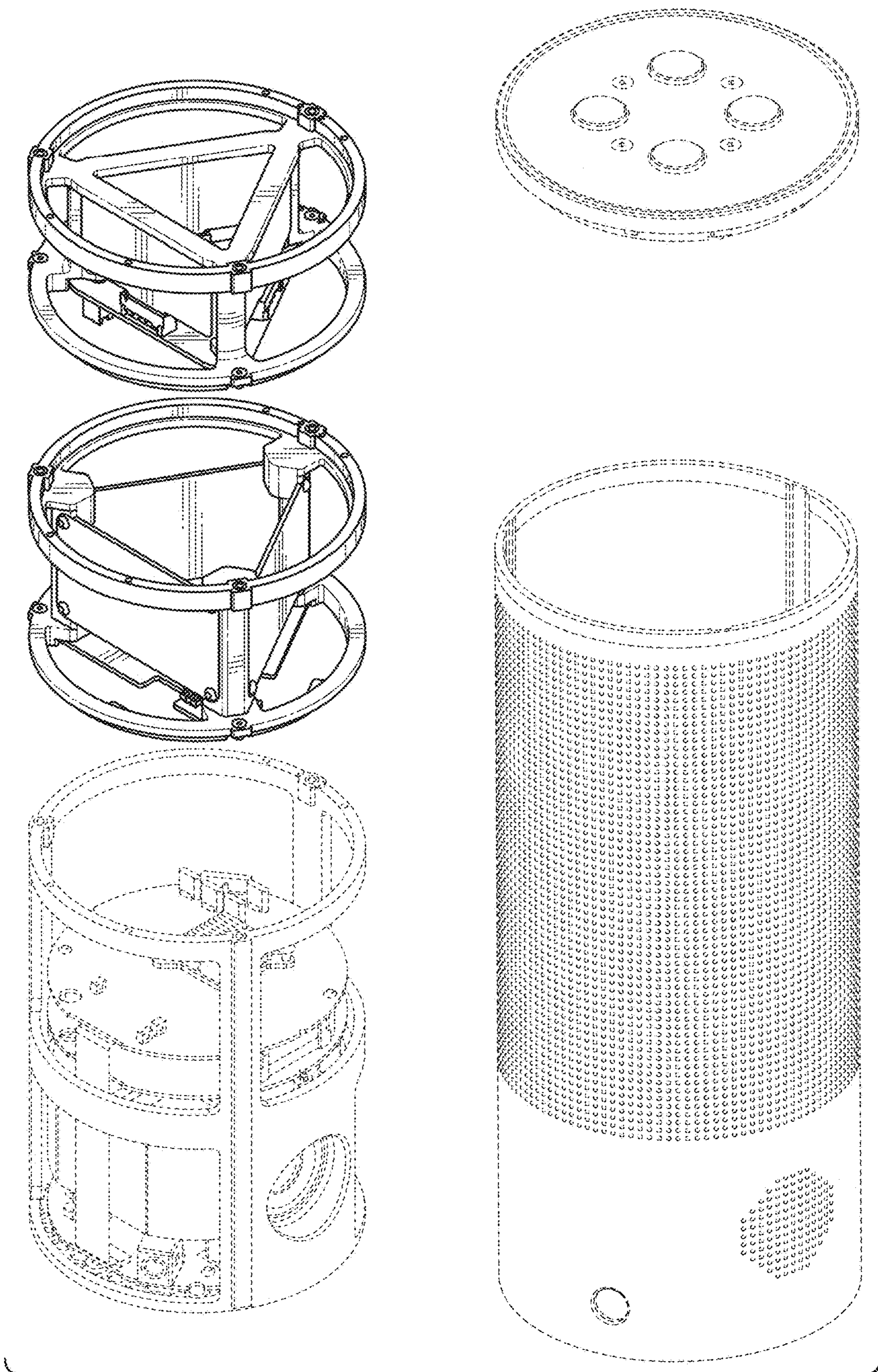


FIG. 1

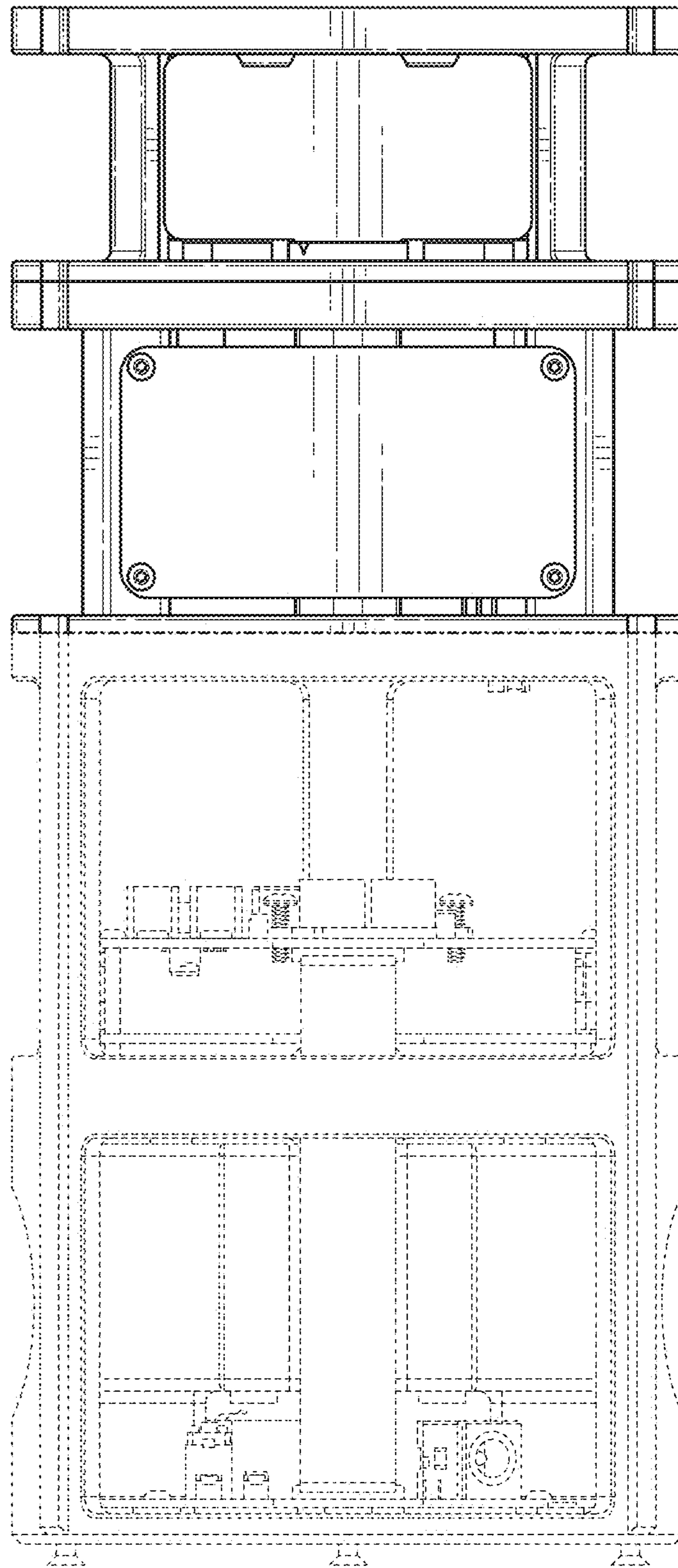


FIG. 2

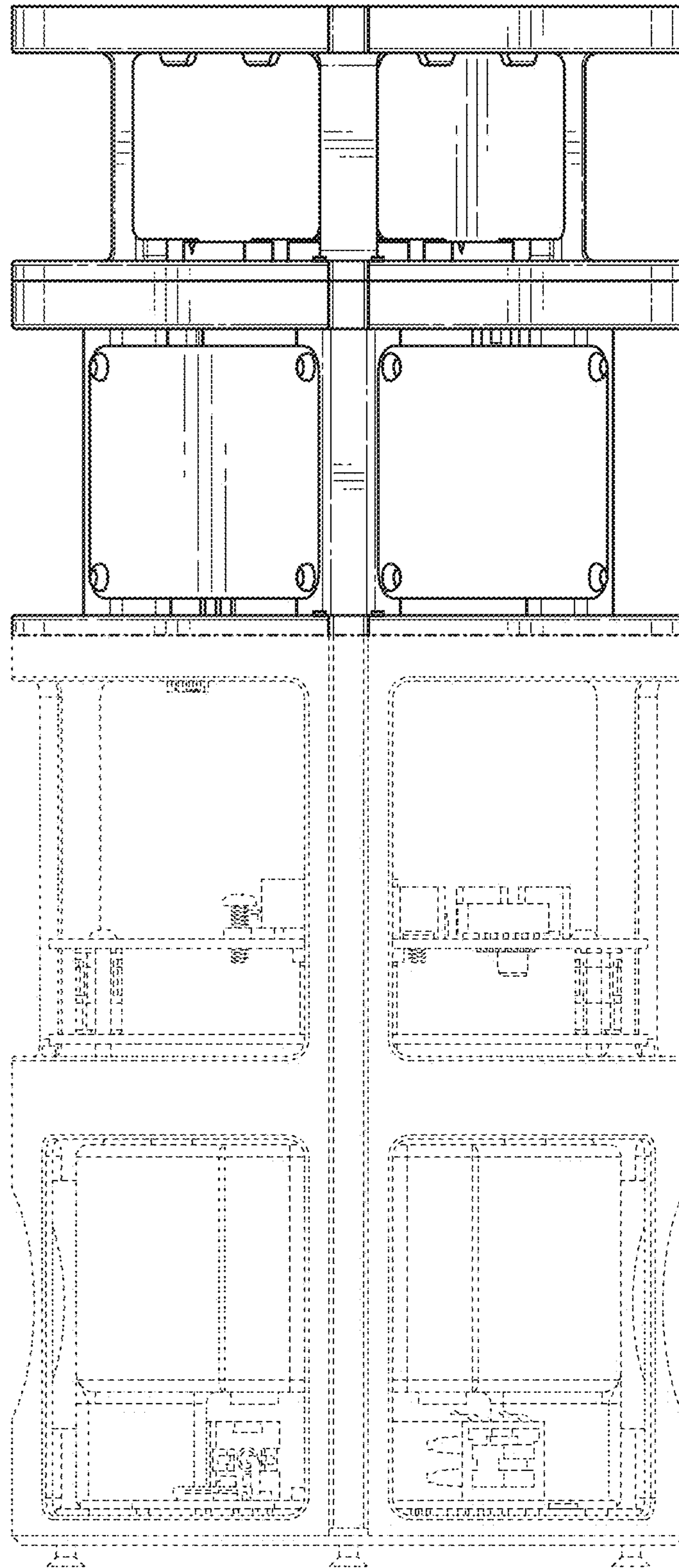


FIG. 3

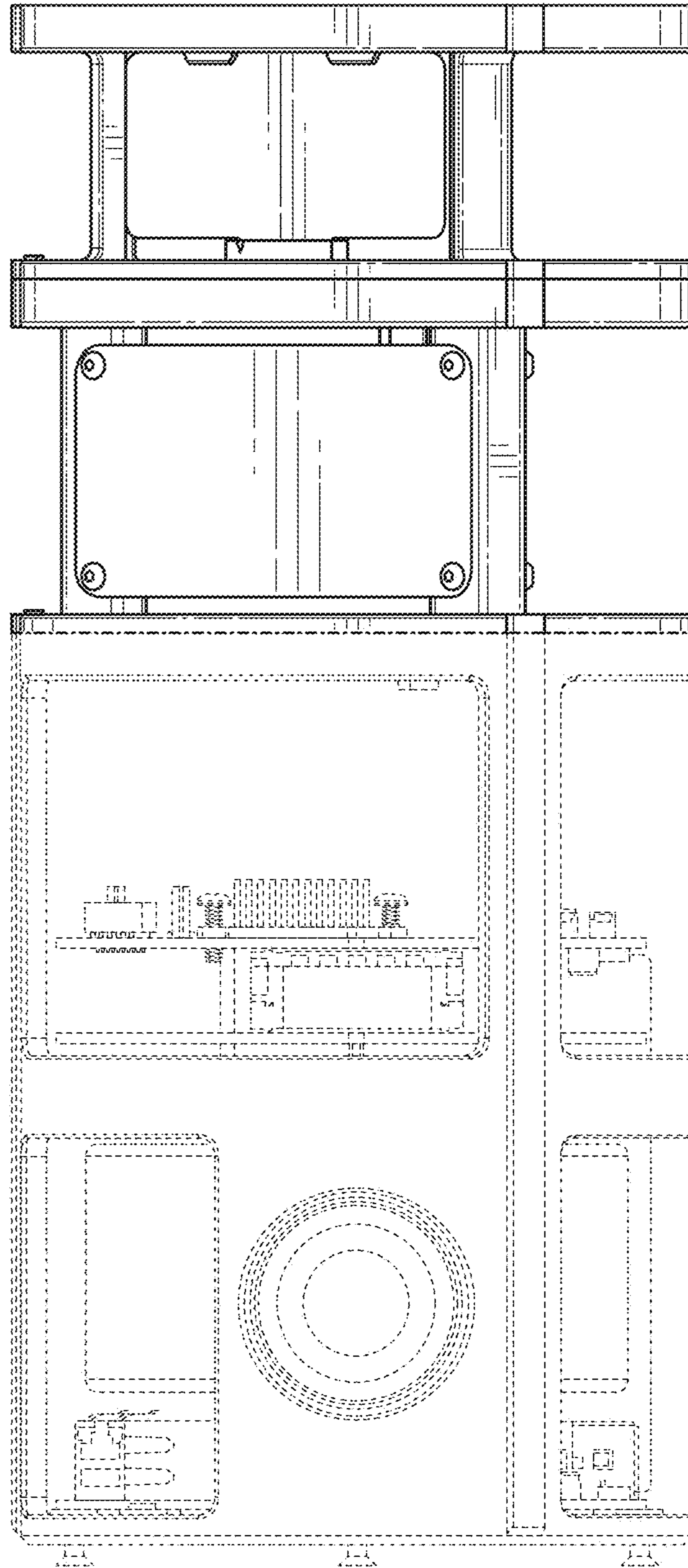


FIG. 4

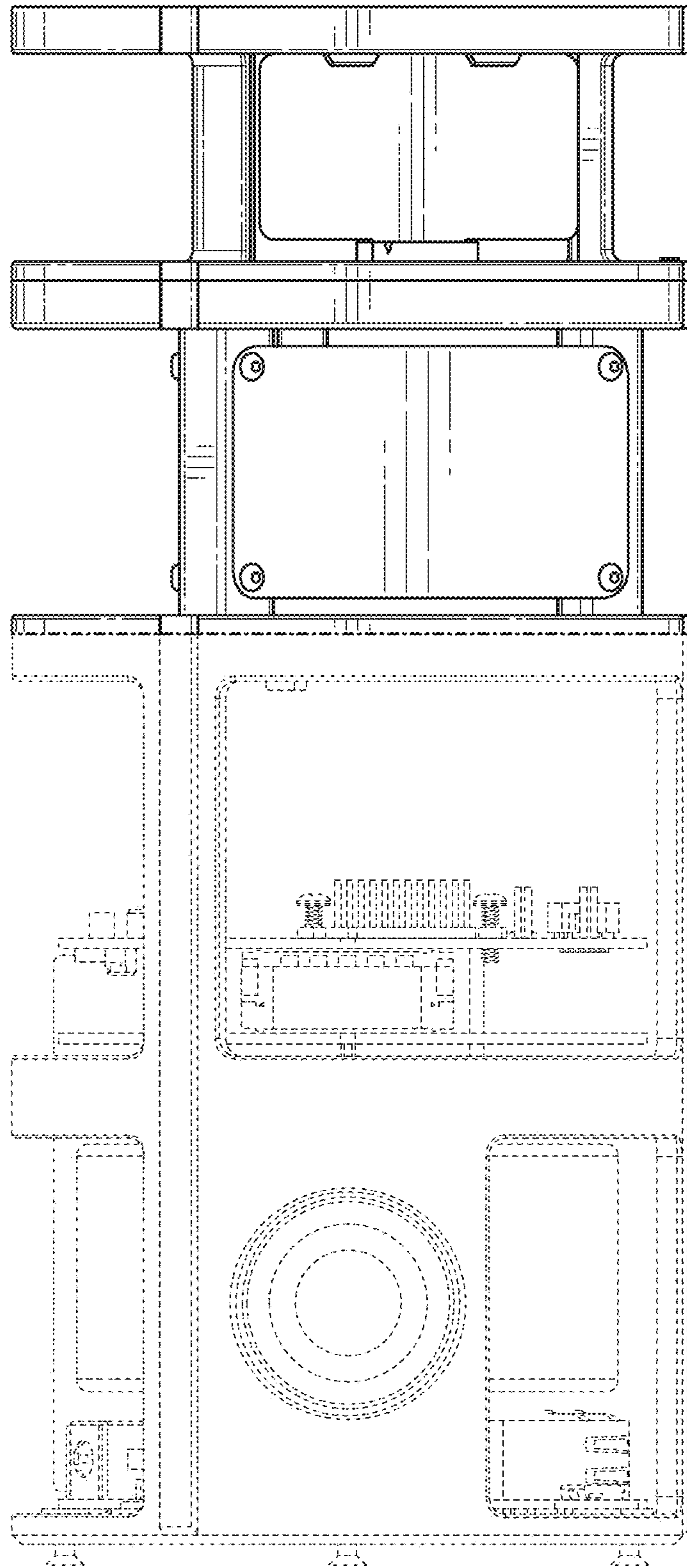


FIG. 5

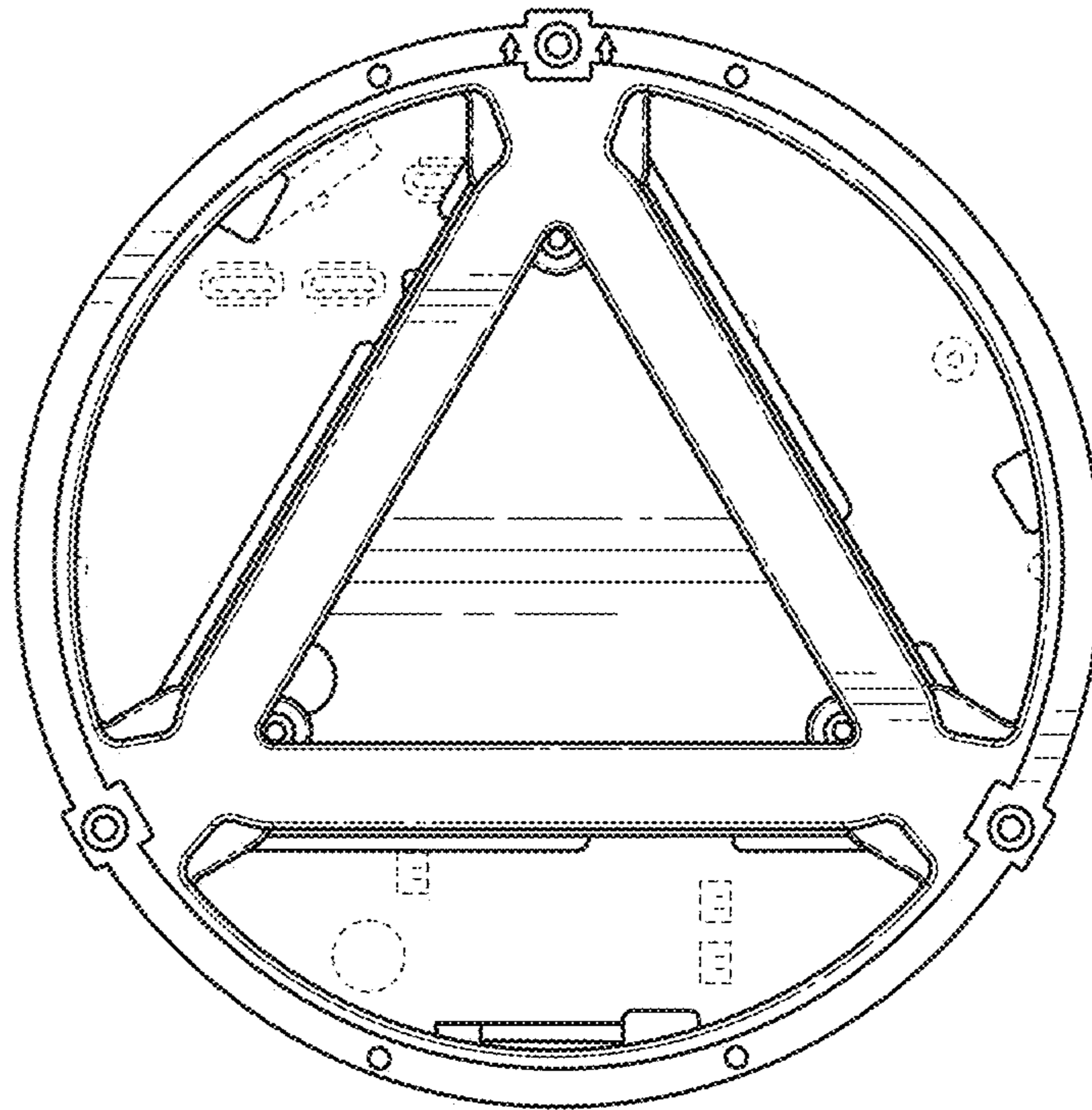


FIG. 6

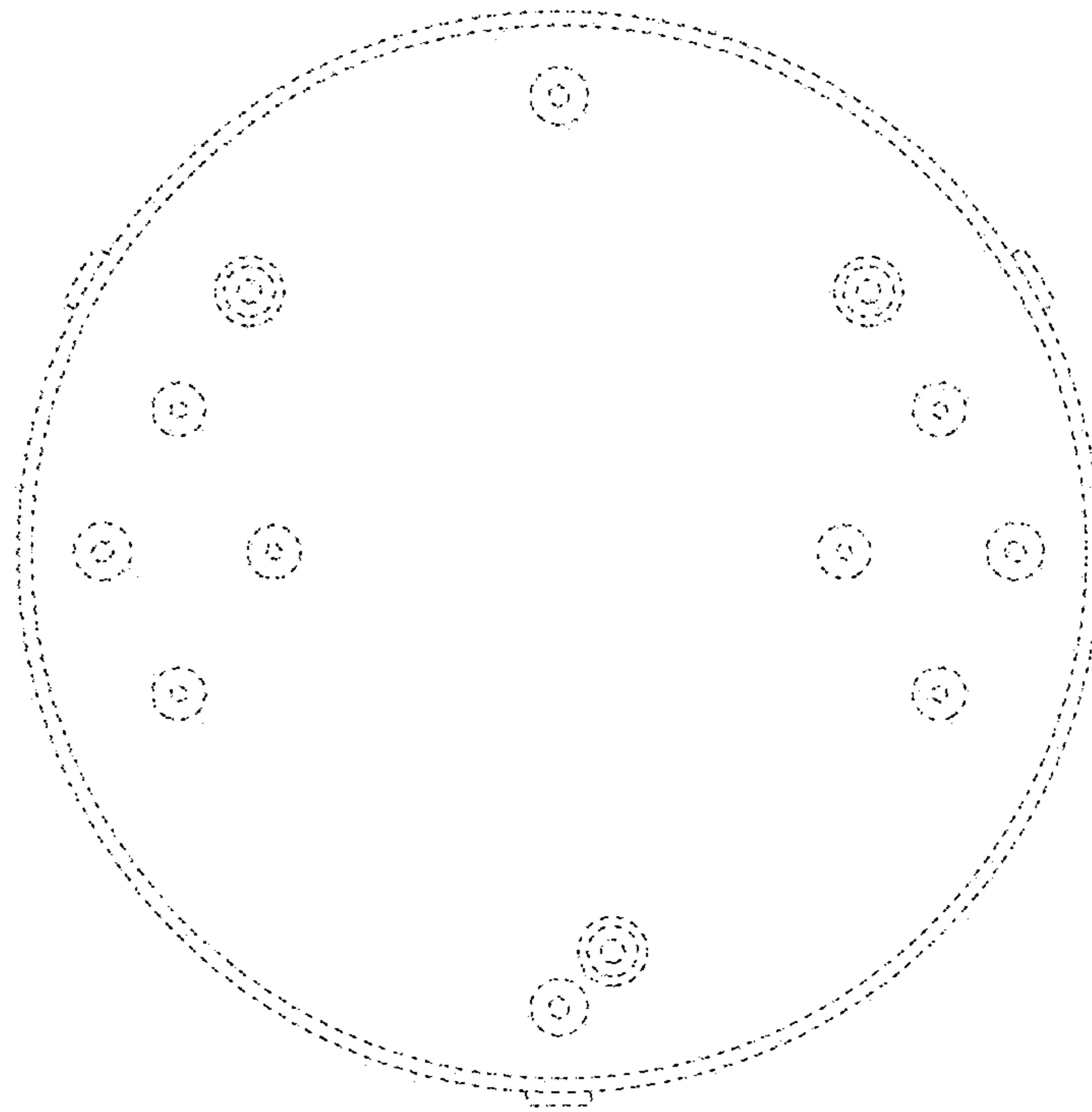


FIG. 7