



US00D960010S

(12) **United States Design Patent** (10) **Patent No.:** **US D960,010 S**
Lindgren et al. (45) **Date of Patent:** **** Aug. 9, 2022**

(54) **VALVE CONTROLLER**

(56) **References Cited**

(71) Applicant: **Pentair Residential Filtration, LLC**,
Brookfield, WI (US)

U.S. PATENT DOCUMENTS

(72) Inventors: **Andrew Lindgren**, Wauwatosa, WI
(US); **Andrew Mansfield**, Brookfield,
WI (US)

D287,486 S 12/1986 Points et al.
D344,901 S * 3/1994 Conforti D10/50
(Continued)

(73) Assignee: **PENTAIR RESIDENTIAL
FILTRATION, LLC**, Brookfield, WI
(US)

FOREIGN PATENT DOCUMENTS

CN 302910837 S 8/2014
CN 303020831 S 12/2014
(Continued)

(**) Term: **15 Years**

Primary Examiner — Antoine Duval Davis

(21) Appl. No.: **29/751,194**

(74) *Attorney, Agent, or Firm* — Husch Blackwell LLP

(22) Filed: **Sep. 18, 2020**

(57) **CLAIM**

The ornamental design for a valve controller, as shown and described.

Related U.S. Application Data

(62) Division of application No. 29/672,288, filed on Dec. 4, 2018, now Pat. No. Des. 904,906.

DESCRIPTION

(51) **LOC (13) Cl.** **10-04**

(52) **U.S. Cl.**
USPC **D10/103; D13/162.1**

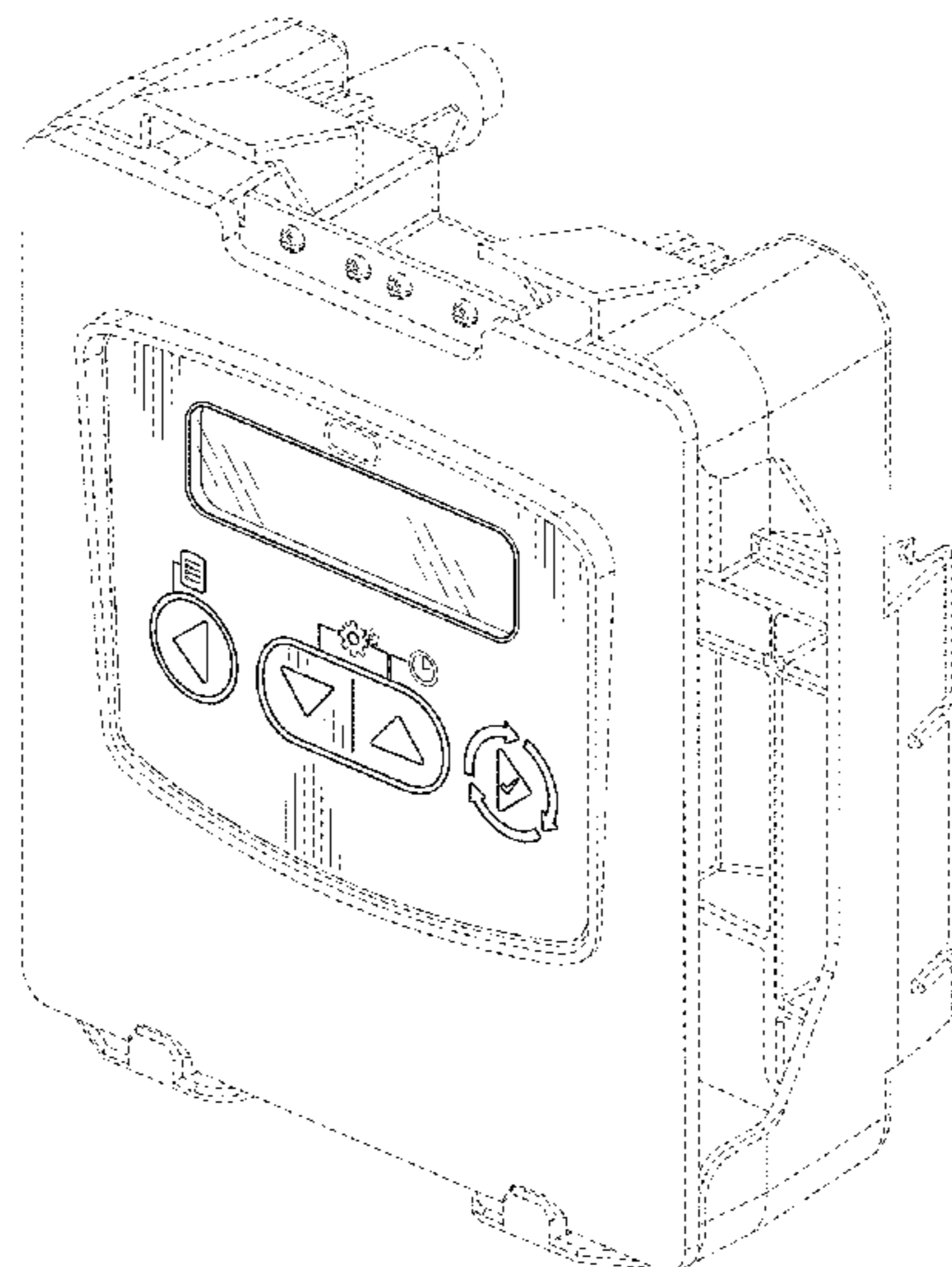
(58) **Field of Classification Search**

USPC D10/46, 49, 102, 103; D13/158, 162,
D13/162.1, 164, 177, 184, 185; D23/270
CPC F16K 25/00; F16K 25/005; F16K 25/02;
F16K 25/04; F16K 27/00; F16K 27/003;
F16K 27/006; F16K 27/02; F16K
27/0209; F16K 27/0218; F16K 27/0227;
F16K 27/0236; F16K 27/0245; F16K
27/0254; F16K 27/0263; F16K 27/0272;
F16K 27/0281; F16K 27/029; F16K
27/04; F16K 27/041; F16K 27/042; F16K
27/044; F16K 27/045; F16K 27/047;
F16K 27/048; F16K 27/062; F16K
27/065; F16K 27/067; F16K 27/07; F16K
27/08; F16K 27/10; F16K 27/102; F16K
27/105; F16K 27/107; F16K

(Continued)

FIG. 1 is an isometric view of a front, top, and right side of an ornamental design for a portion of valve controller; FIG. 2 is a front elevational view of the portion of the valve controller of FIG. 1; FIG. 3 is a rear elevational view of the portion of the valve controller of FIG. 1; FIG. 4 is a right side elevational view of the portion of the valve controller of FIG. 1; FIG. 5 is a left side elevational view of the portion of the valve controller of FIG. 1; FIG. 6 is a top plan view of the portion of the valve controller of FIG. 1; and, FIG. 7 is a bottom plan view of the portion of the valve controller of FIG. 1. The dash-dash-dash lines are included for the purpose of illustrating portions that form no part of the claimed design. The dash-dot-dash lines of FIGS. 1-7 showing boundary lines form no part of the claimed design.

1 Claim, 6 Drawing Sheets



(58) **Field of Classification Search**

CPC 27/12; F16K 31/04; F16K 11/07; F16K 11/078; F23N 1/005; F23N 5/10; F23N 2900/01002; F23N 2035/16; F16J 15/3404; Y10T 137/87917; Y10T 137/1407; Y10T 137/86549; Y10T 137/86654; Y10T 137/86702; Y10T 137/86646; H01H 89/00-10; H01H 25/00-065; H01H 23/00-30; H01H 13/00-30; H01H 13/64-88; H01H 9/02; H01H 9/0264; H01H 9/04-047; G06F 11/32-328; G06F 11/34-3495

See application file for complete search history.

D553,097 S	10/2007	Lemke et al.	
D553,100 S *	10/2007	Peterson	D13/164
D561,114 S *	2/2008	Peterson	D13/162
D604,190 S	11/2009	Leer et al.	
D636,278 S	4/2011	Franchini	
8,104,509 B2	1/2012	Leer et al.	
8,133,398 B2	3/2012	King et al.	
D674,874 S	1/2013	Mueller et al.	
D675,113 S *	1/2013	Droste	D10/49
D679,260 S	4/2013	Franchini	
D682,715 S	5/2013	Wang	
D713,270 S	9/2014	Chandran	
D771,575 S	11/2016	Lohbeck et al.	
9,758,387 B2	9/2017	Gruett et al.	
D881,140 S *	4/2020	Wang	D13/162
D898,682 S *	10/2020	Hsieh	D13/162
2003/0168389 A1	9/2003	Astle et al.	
2012/0199536 A1	8/2012	Dennis et al.	

(56) **References Cited**

U.S. PATENT DOCUMENTS

D347,258 S	5/1994	Fenske
D380,737 S	7/1997	Weir et al.
D434,827 S	12/2000	Zimmerman et al.
D485,330 S	1/2004	Shyu
D485,502 S	1/2004	Clivio
6,696,963 B2	2/2004	Zimmerman et al.
D553,096 S	10/2007	Pfingsten et al.

FOREIGN PATENT DOCUMENTS

CN	303795016 S	8/2016
CN	303795087 S	8/2016
CN	304105185 S	4/2017
CN	304112092 S	4/2017
CN	304112093 S	4/2017

* cited by examiner

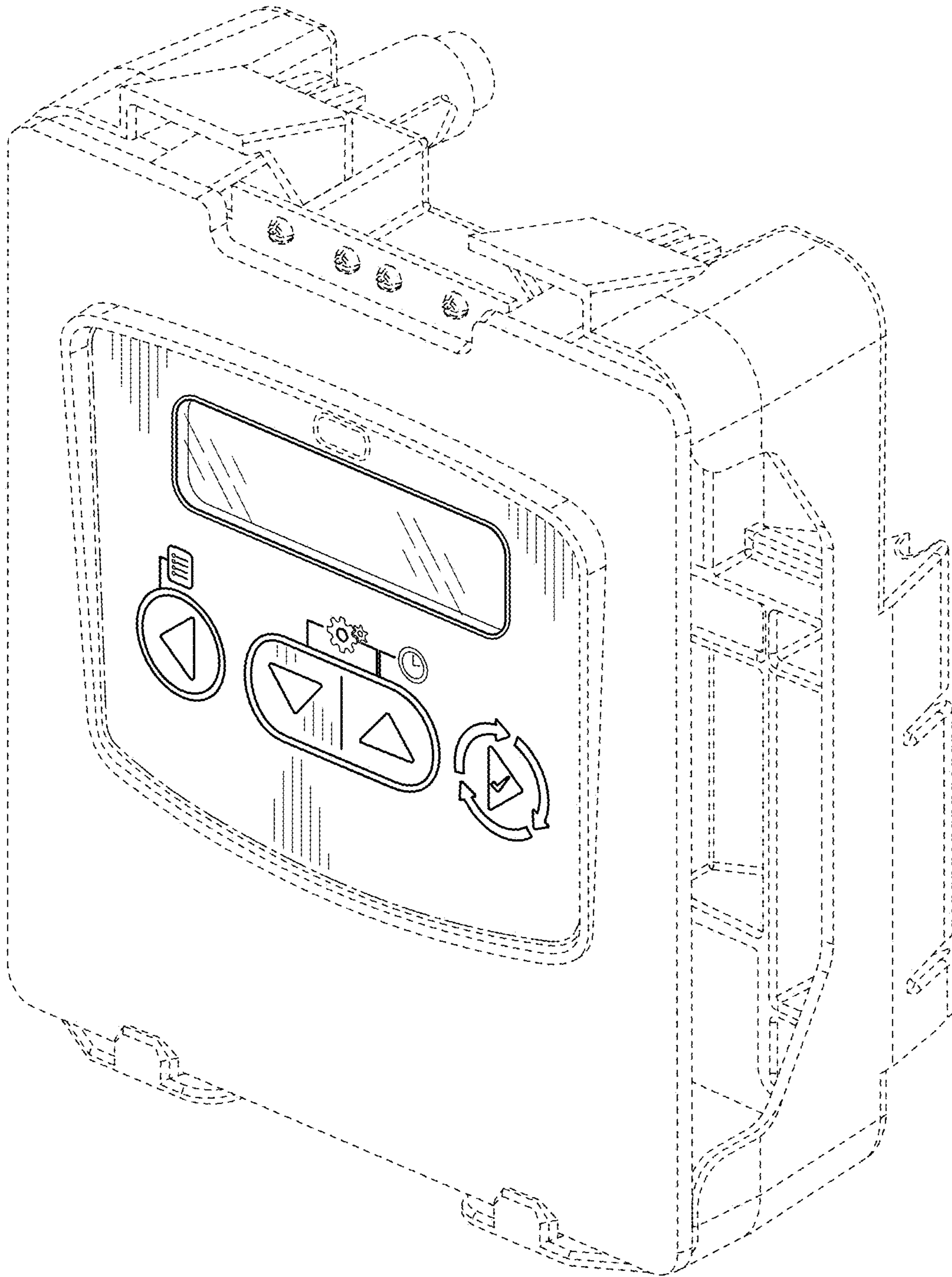


FIG. 1

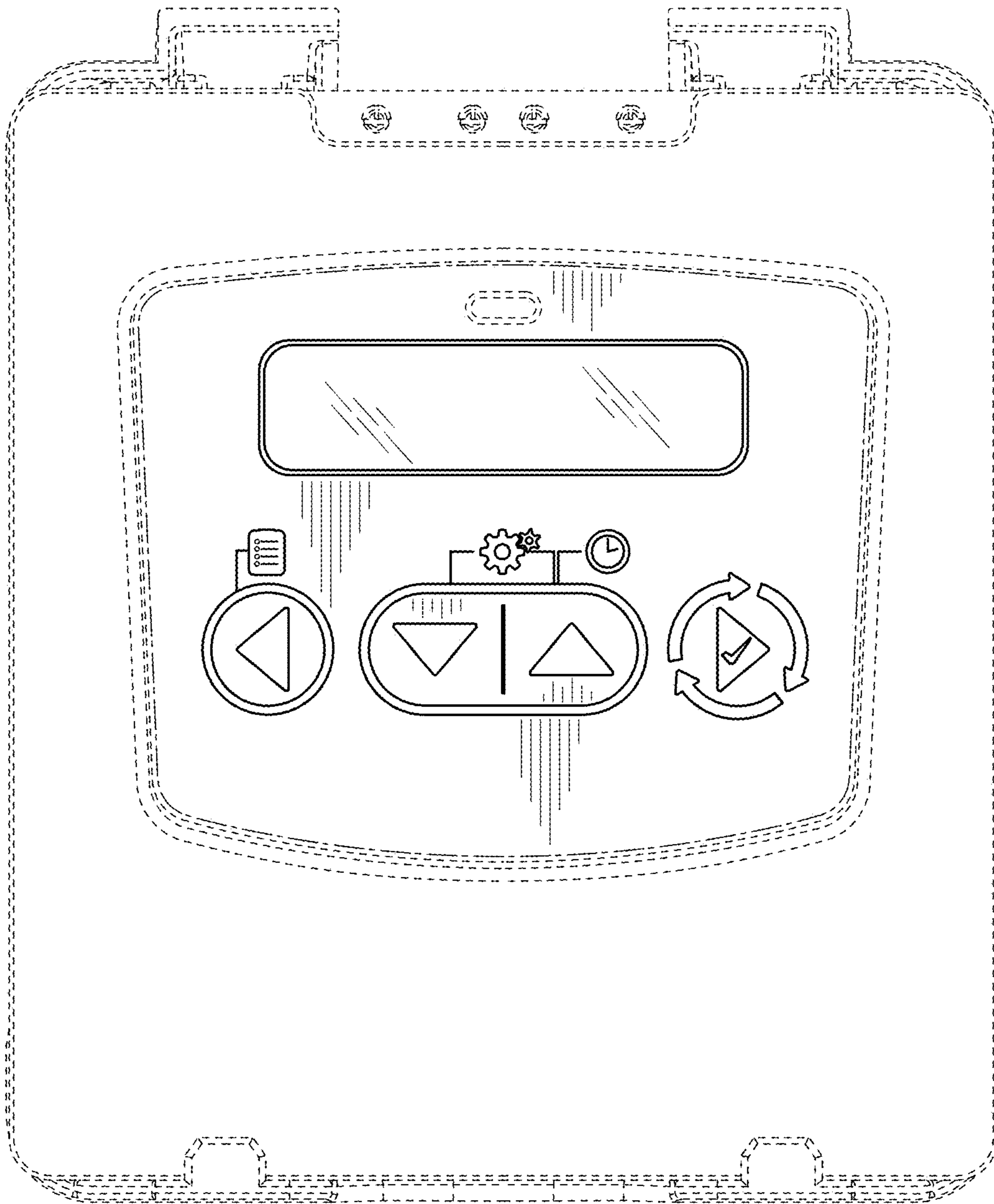


FIG. 2

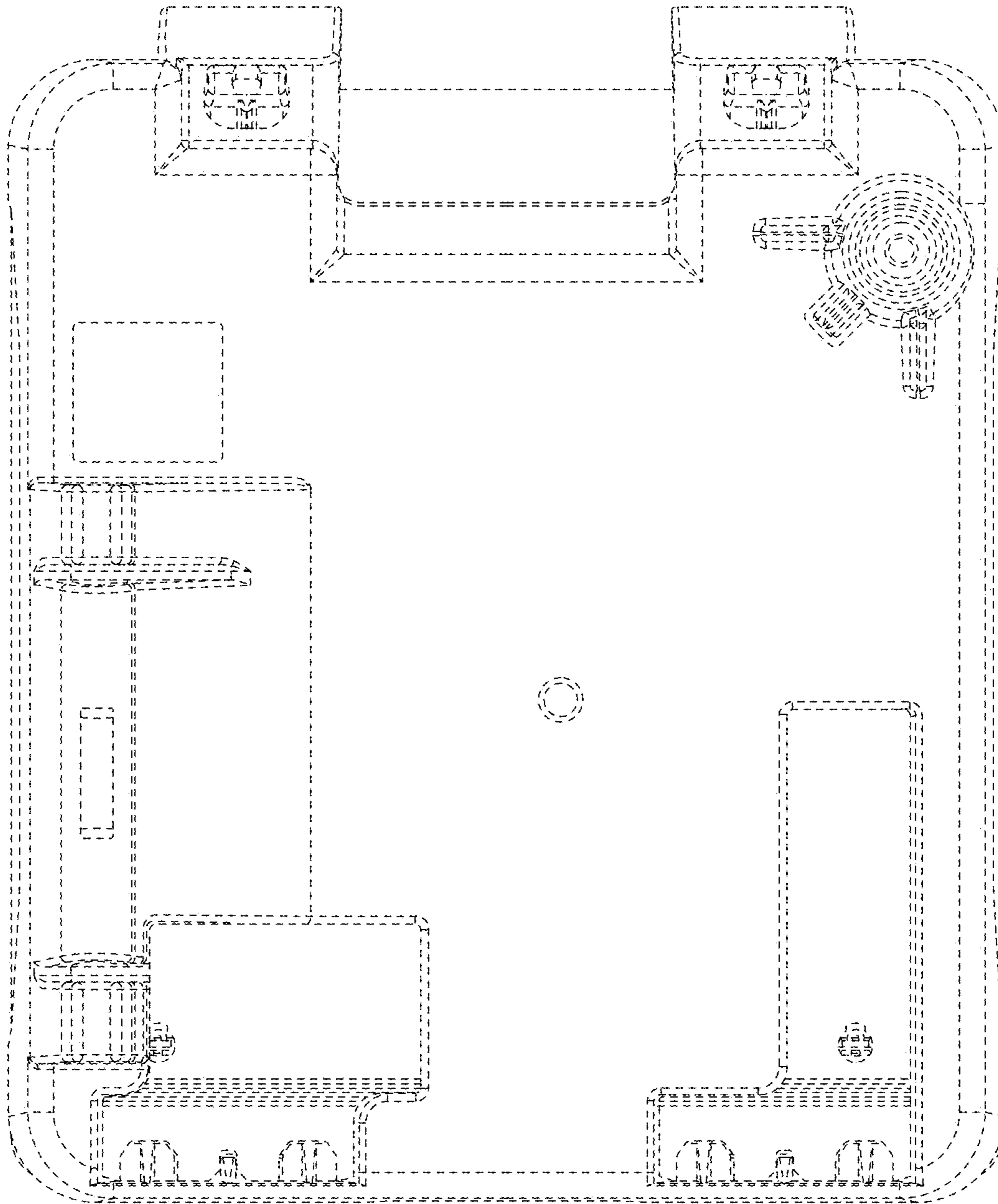


FIG. 3

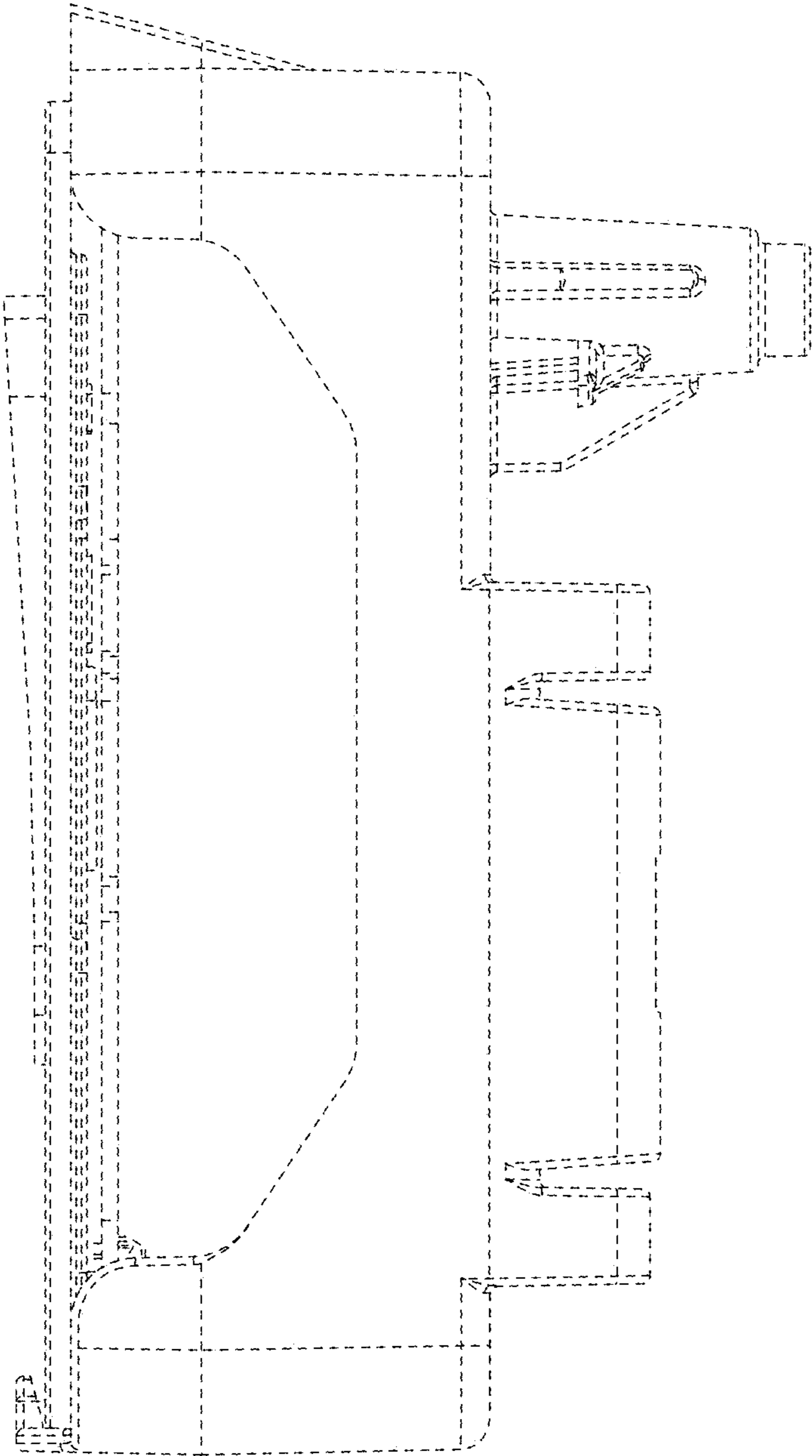


FIG. 4

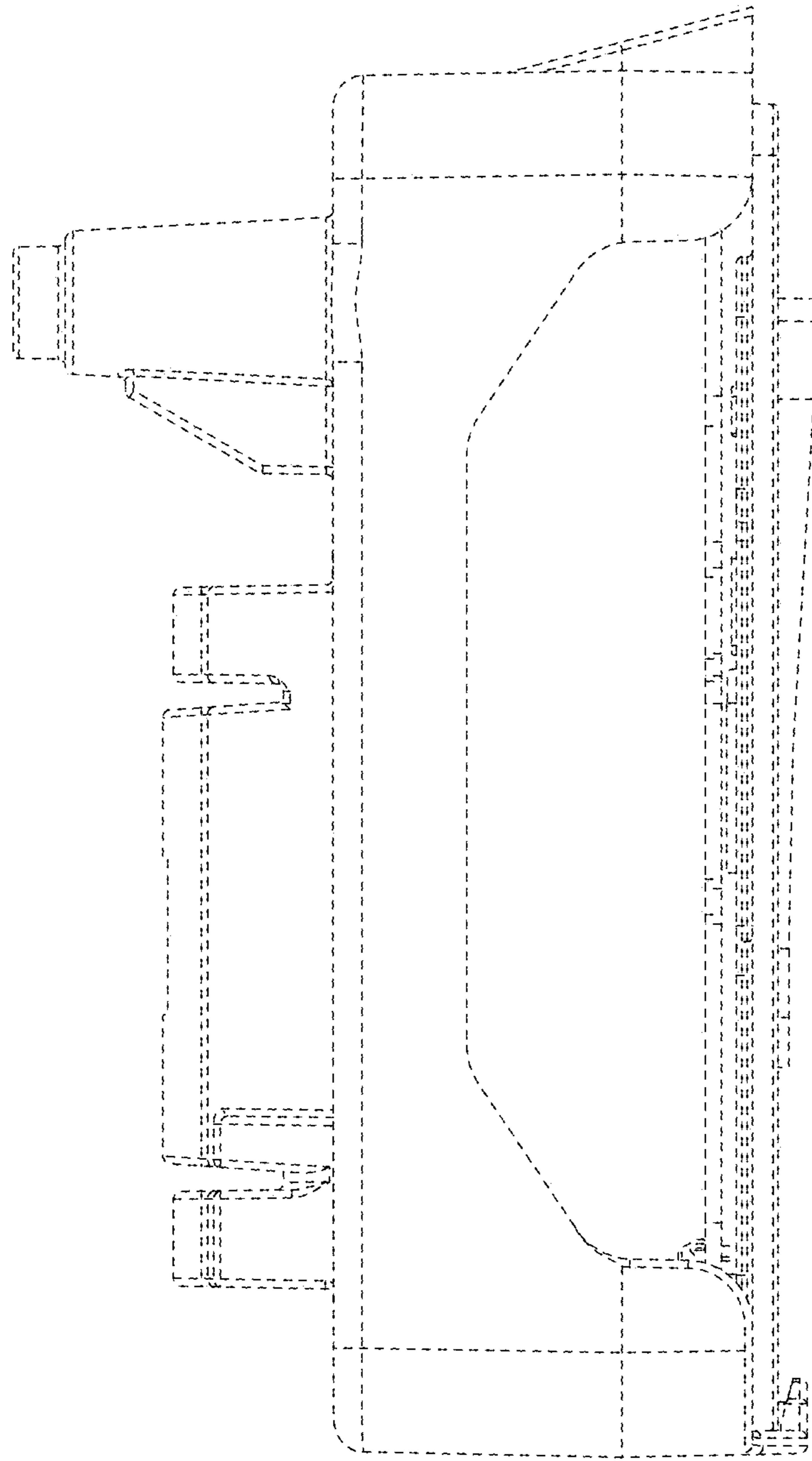


FIG. 5

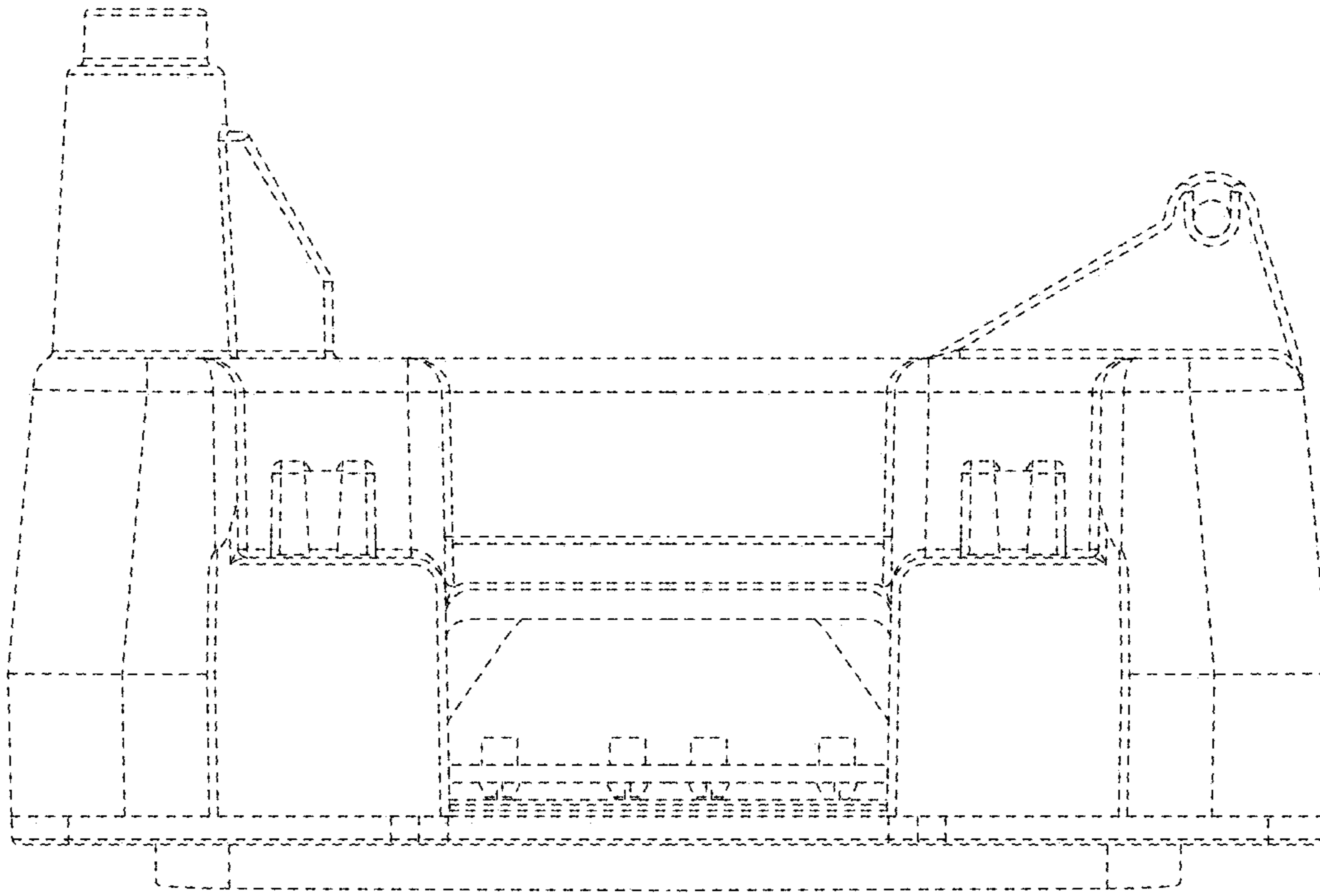


FIG. 6

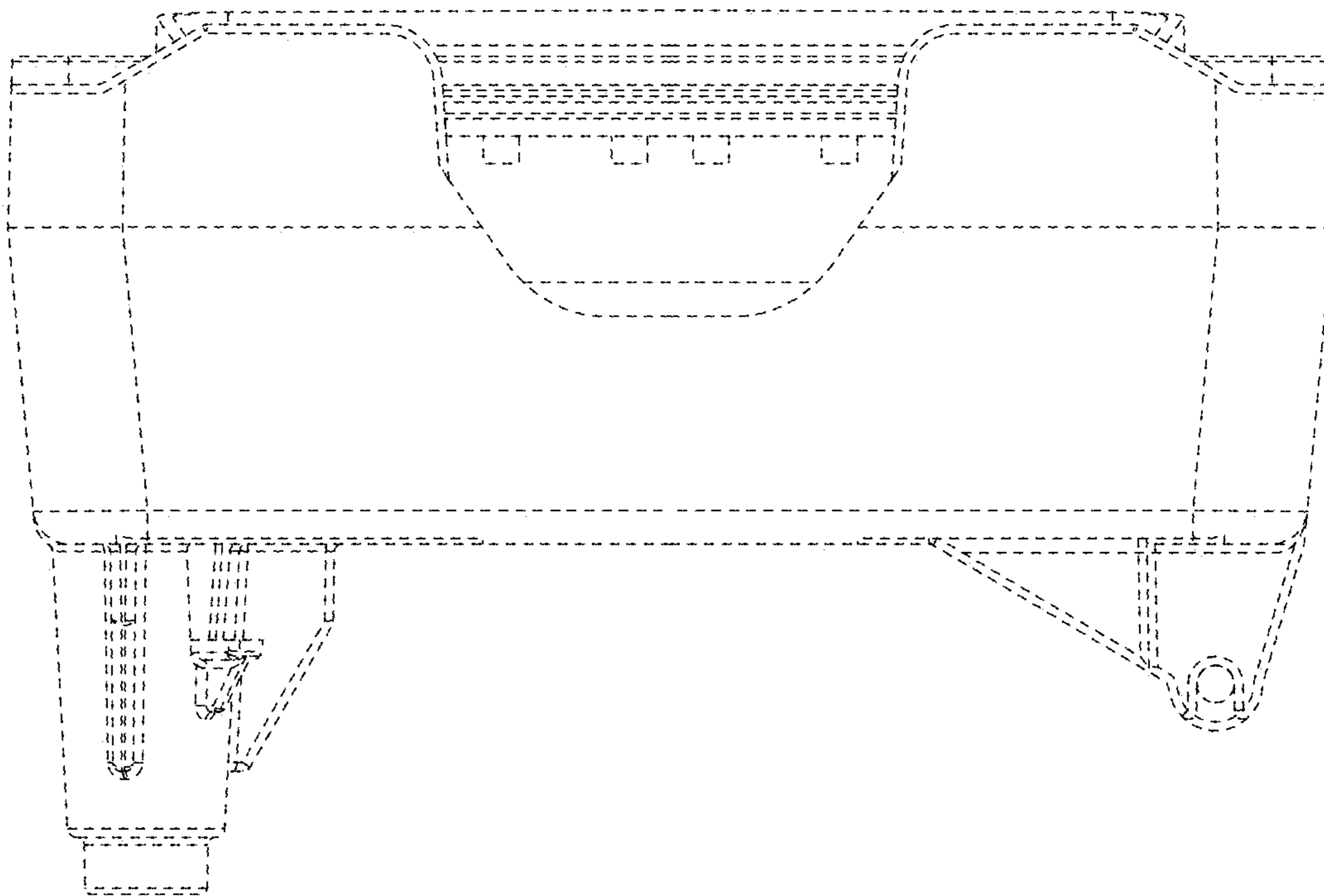


FIG. 7