



US00D960005S

(12) **United States Design Patent**
Zhong

(10) **Patent No.:** **US D960,005 S**

(45) **Date of Patent:** **** Aug. 9, 2022**

(54) **SIGNAL RECEIVER**

(71) Applicant: **Shaohua Zhong**, Guangdong (CN)

(72) Inventor: **Shaohua Zhong**, Guangdong (CN)

(**) Term: **15 Years**

(21) Appl. No.: **29/801,432**

(22) Filed: **Jul. 28, 2021**

(30) **Foreign Application Priority Data**

Jun. 8, 2021 (CN) 202130352338.4

(51) **LOC (13) Cl.** **10-04**

(52) **U.S. Cl.**
USPC **D10/78**

(58) **Field of Classification Search**
USPC D10/75, 78; D13/168
CPC G08B 25/016; G08B 21/0227; G08B
21/0216; G08B 21/0208; G08B 6/00
See application file for complete search history.

(56) **References Cited**

U.S. PATENT DOCUMENTS

- 6,771,163 B2 * 8/2004 Linnett G08B 25/08
340/309.5
- D856,167 S 8/2019 Weiss
- D867,322 S * 11/2019 Yan D13/168
- D881,049 S 4/2020 Zhu
- D912,006 S * 3/2021 Xiang D14/155
- D918,064 S 5/2021 Deng

- D938,842 S * 12/2021 Lan D10/78
- D942,287 S * 2/2022 Lan D10/78
- 2003/0034881 A1 * 2/2003 Linnett G08B 25/08
340/531

* cited by examiner

Primary Examiner — Antoine Duval Davis

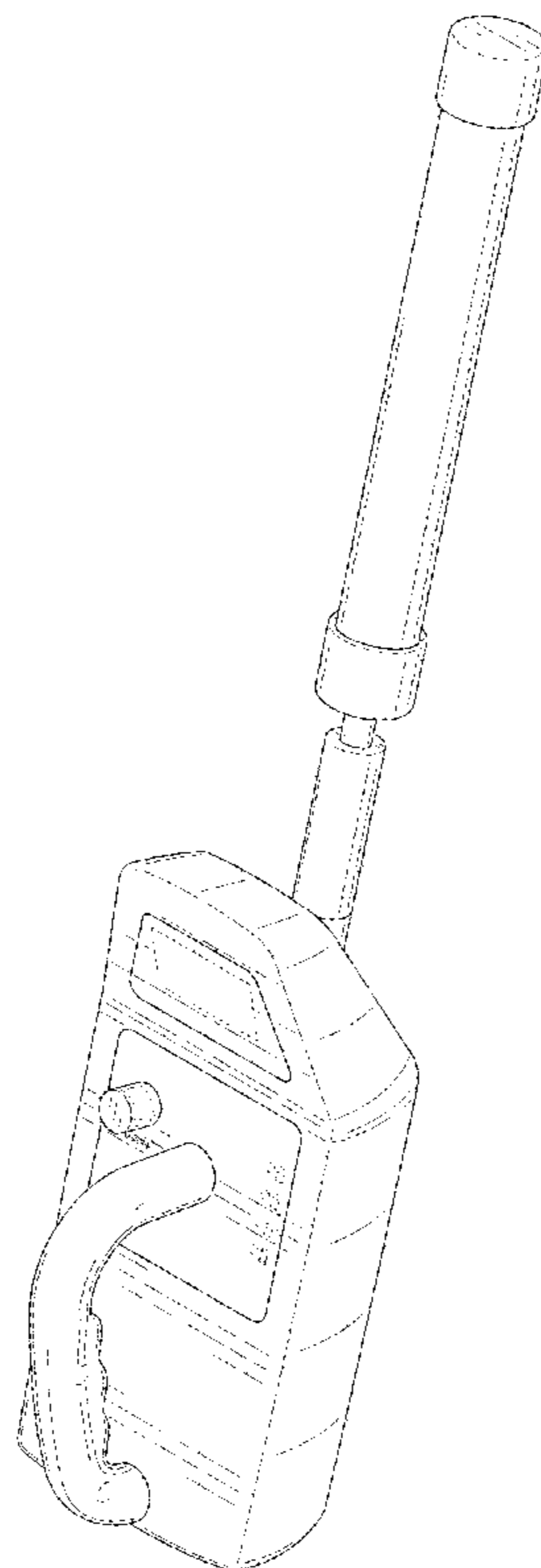
(57) **CLAIM**

The ornamental design for a signal receiver, as shown and described.

DESCRIPTION

FIG. 1 is a perspective view of a signal receiver showing my new design;
 FIG. 2 is a front view of FIG. 1;
 FIG. 3 is a rear view of FIG. 1;
 FIG. 4 is a left side view of FIG. 1;
 FIG. 5 is a right side view of FIG. 1;
 FIG. 6 is a top view of FIG. 1;
 FIG. 7 is a bottom view of FIG. 1;
 FIG. 8 is a perspective view of the signal receiver, wherein an antenna of the signal receiver is separated from a body of the signal receiver;
 FIG. 9 is a front view of FIG. 8;
 FIG. 10 is a rear view FIG. 8;
 FIG. 11 is a left side view FIG. 8;
 FIG. 12 is a right side view FIG. 8;
 FIG. 13 is a top view FIG. 8; and,
 FIG. 14 is a bottom view FIG. 8.
 The broken line showing of portions of the signal receiver in FIGS. 1-14 forms no part of the claimed design.

1 Claim, 14 Drawing Sheets



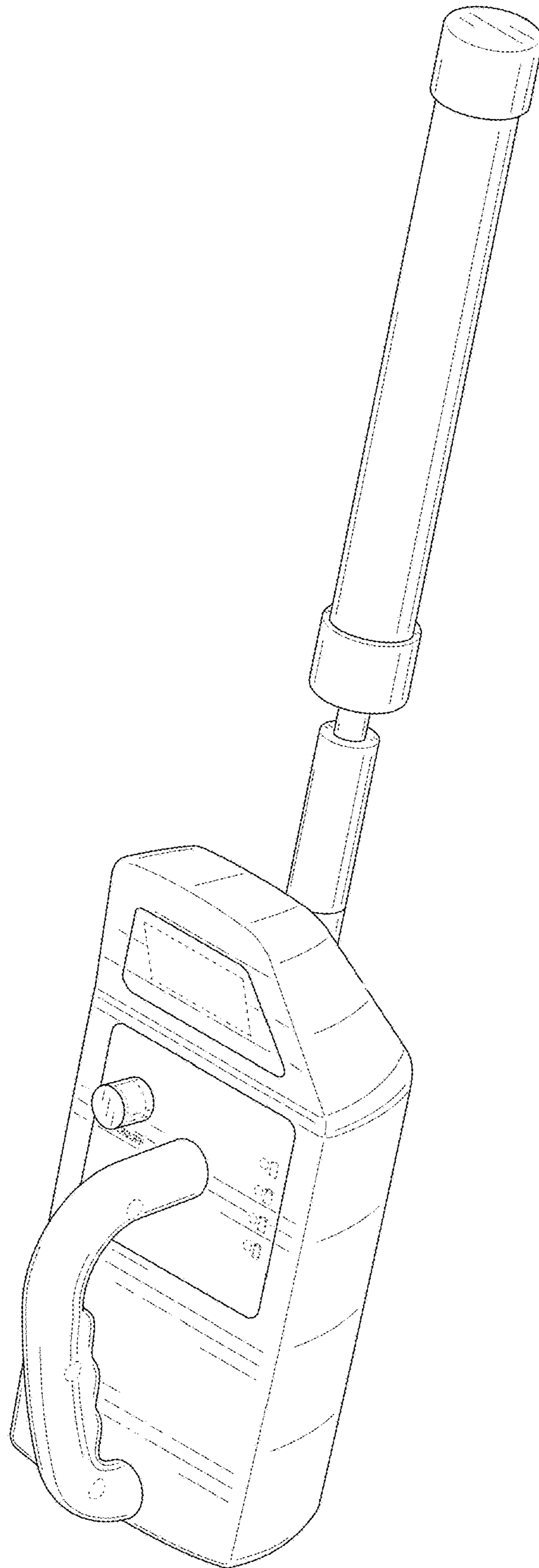


FIG. 1

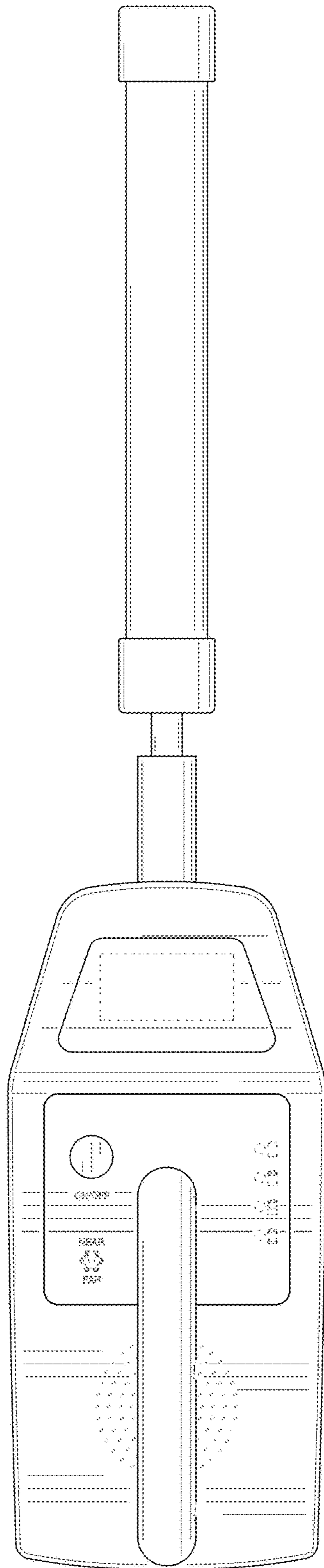


FIG. 2

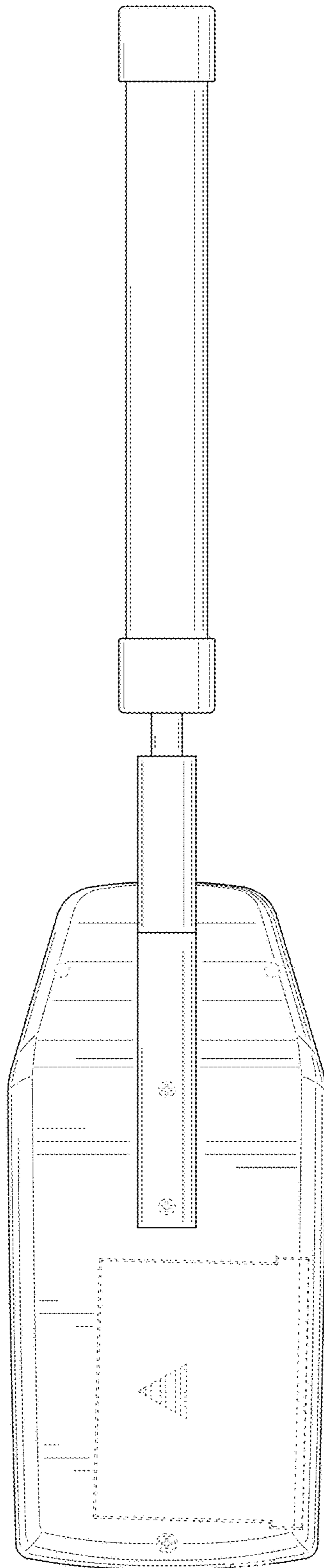


FIG. 3

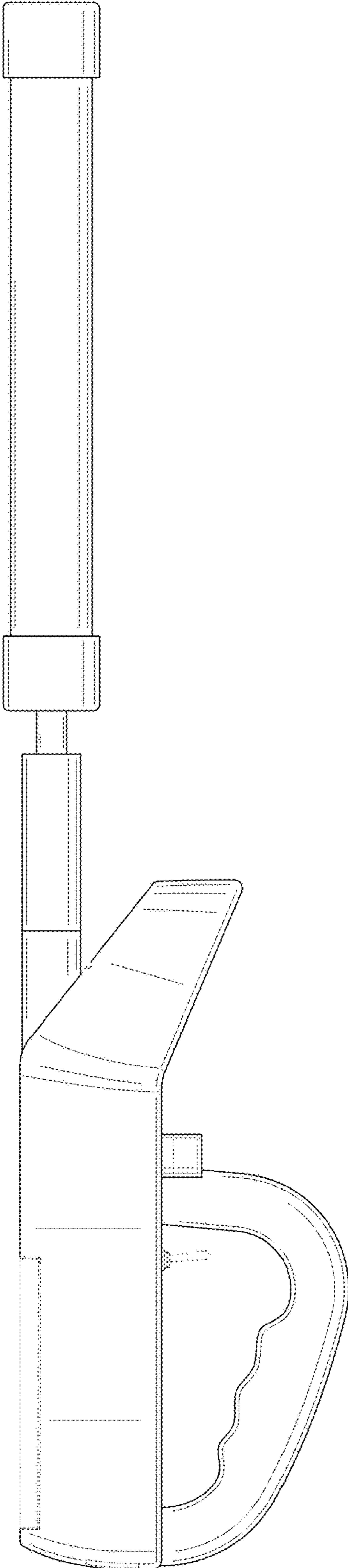


FIG. 4

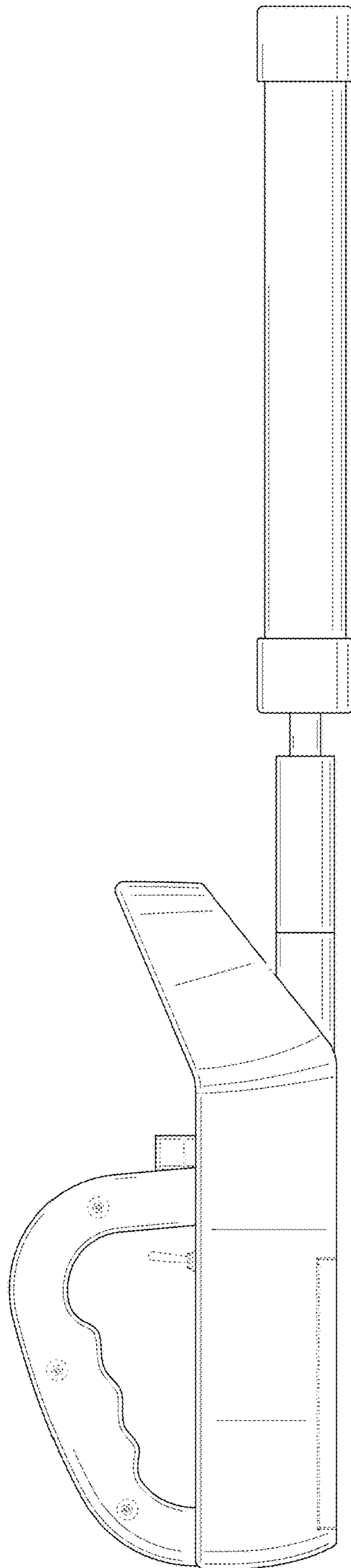


FIG. 5

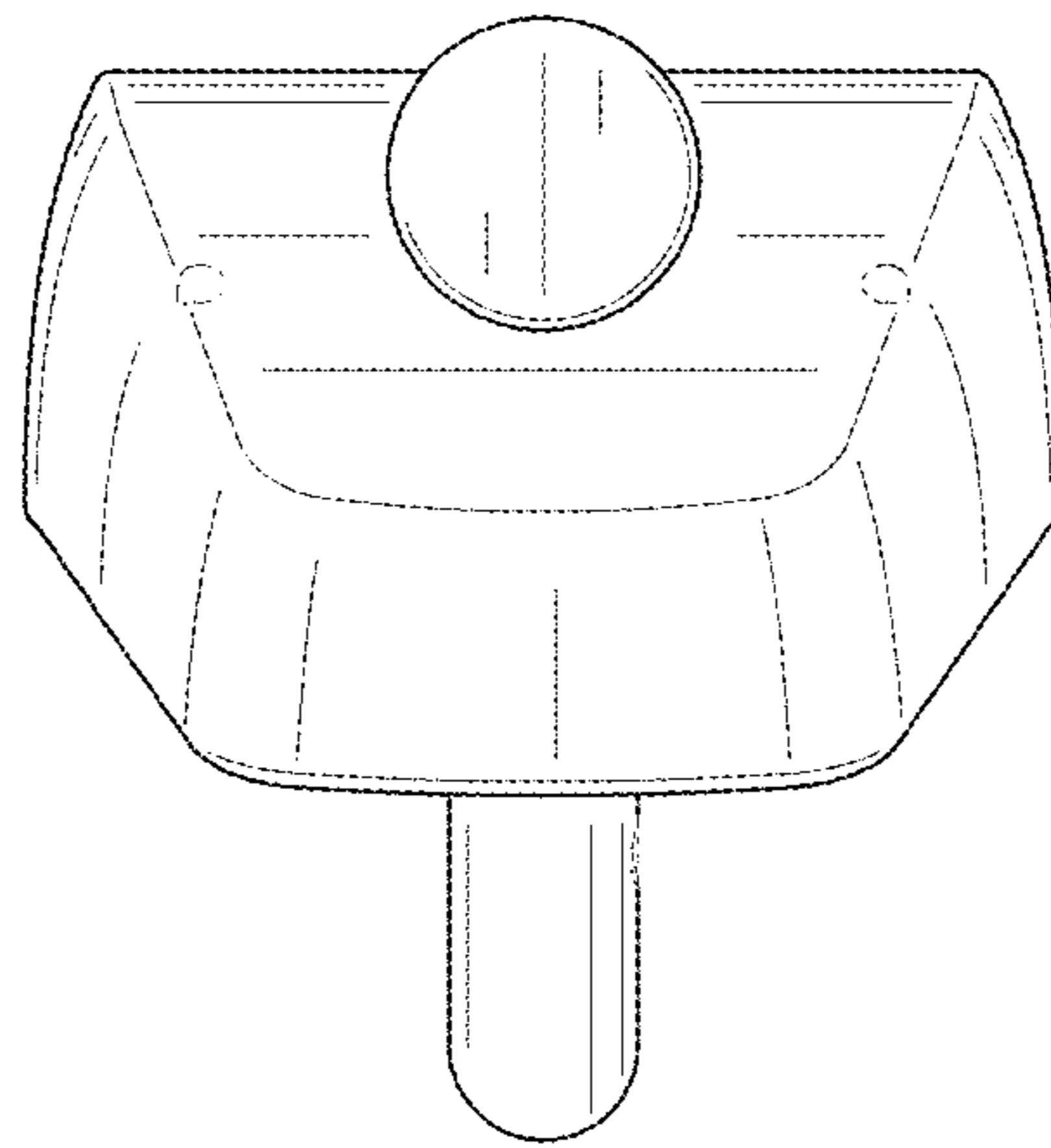


FIG. 6

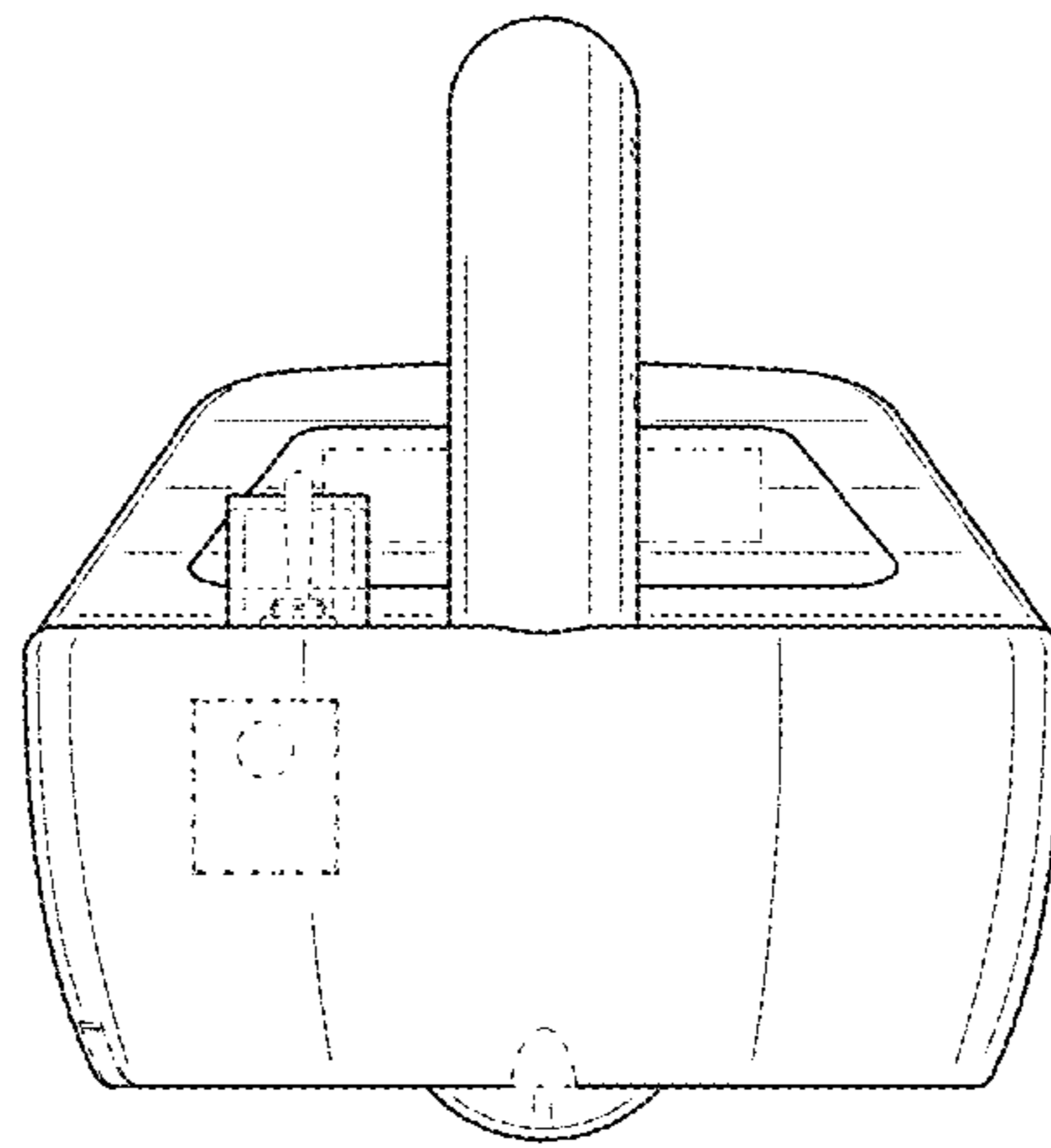


FIG. 7

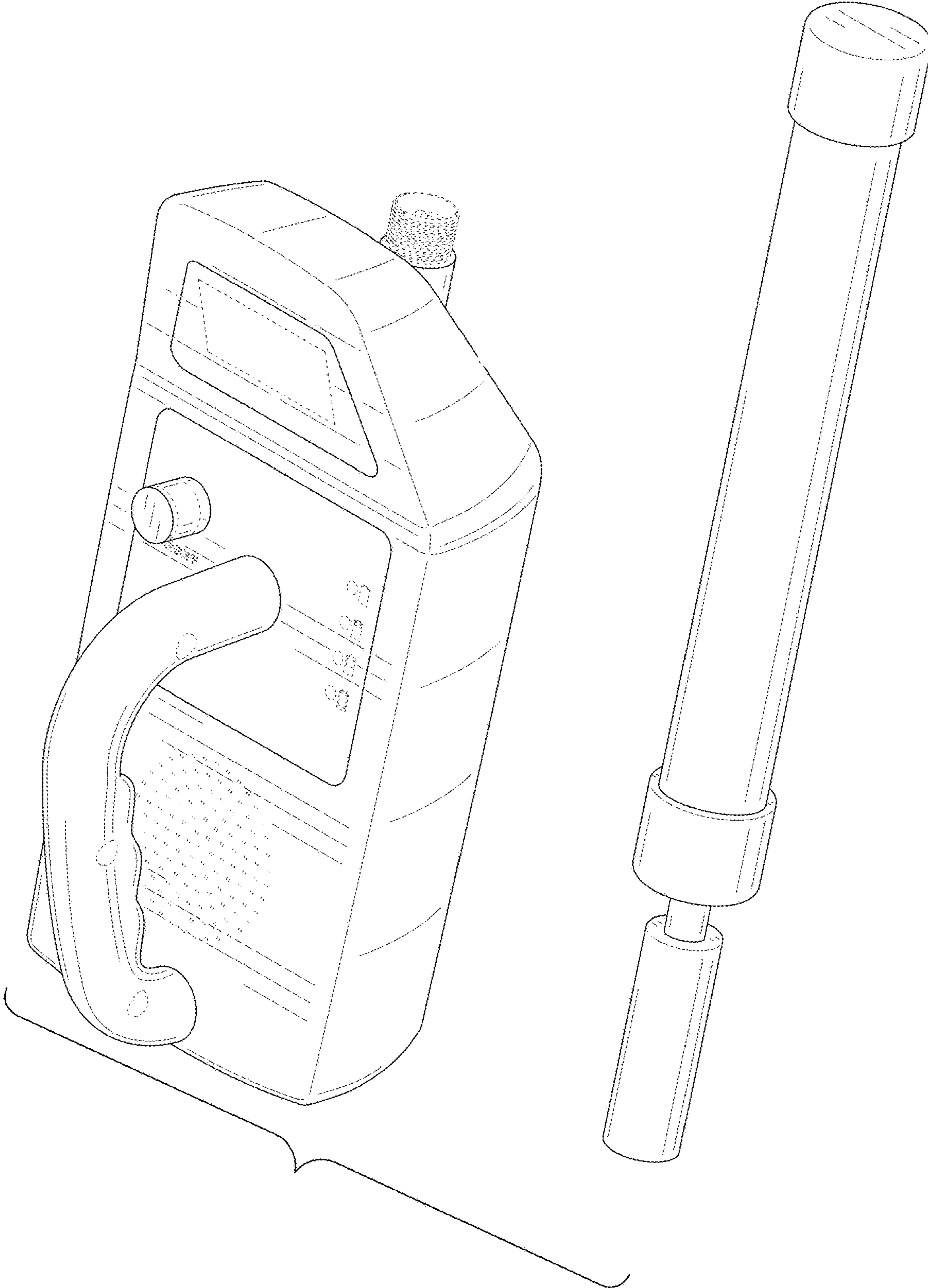


FIG. 8

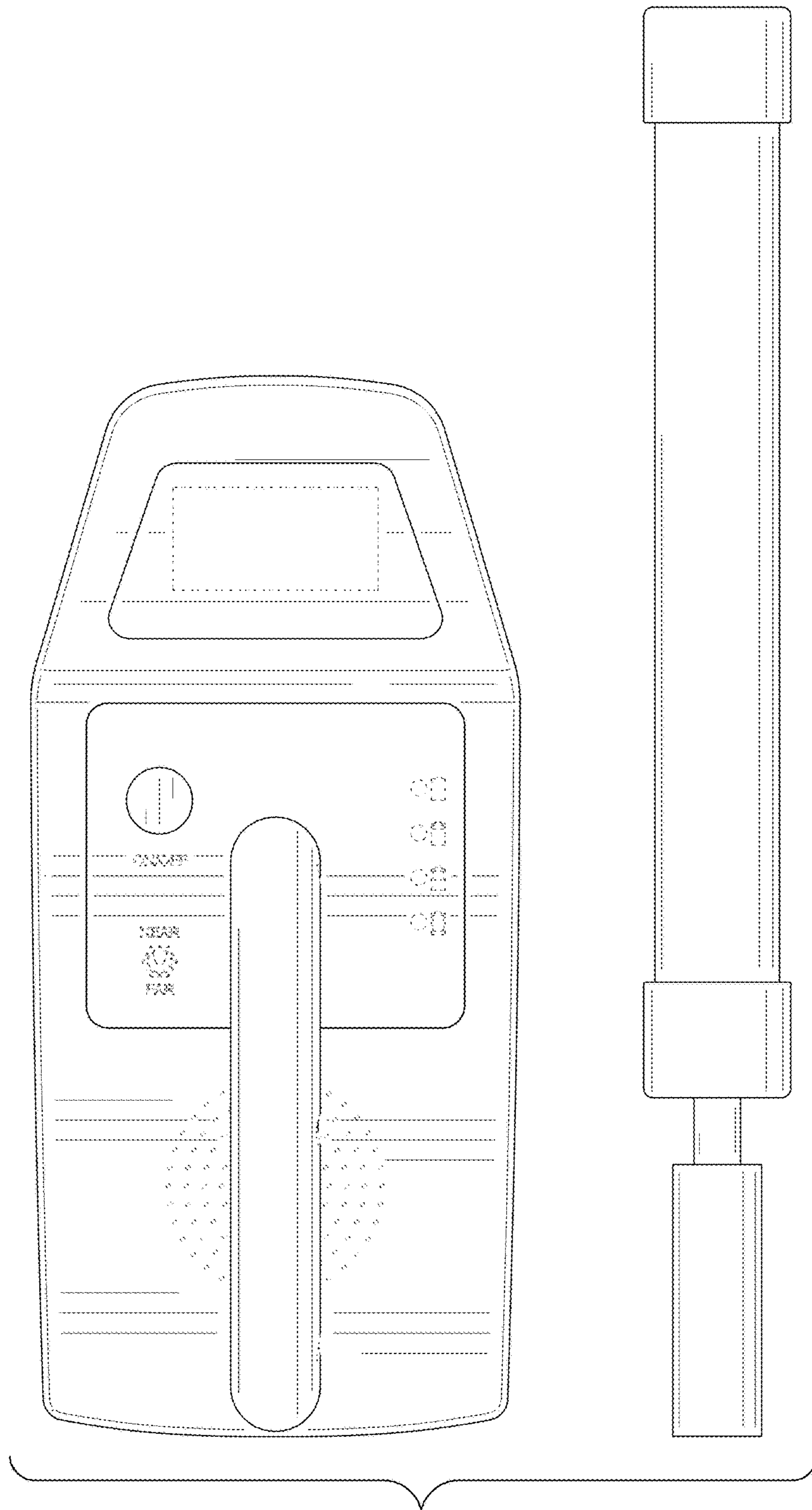


FIG. 9

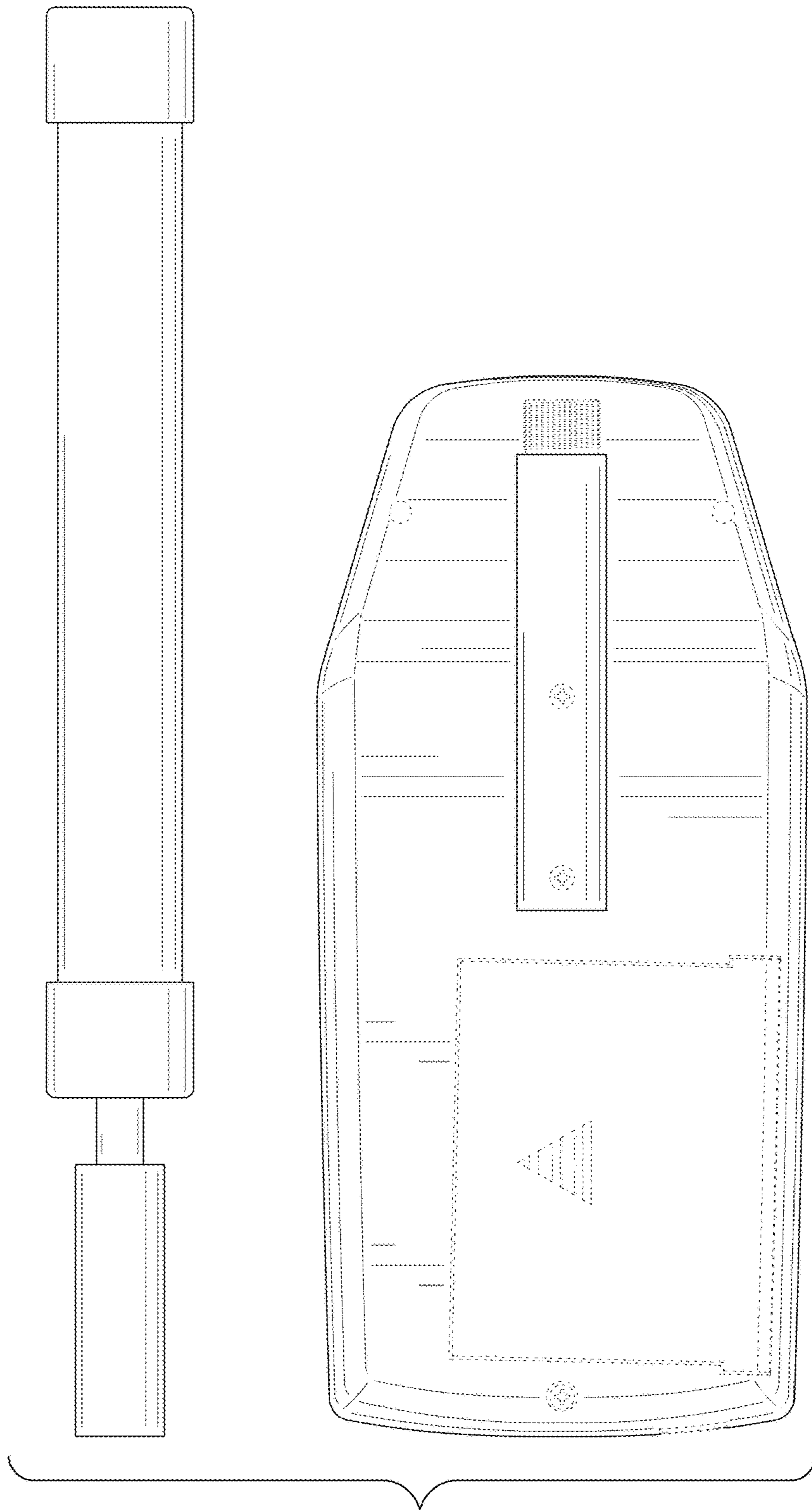


FIG. 10

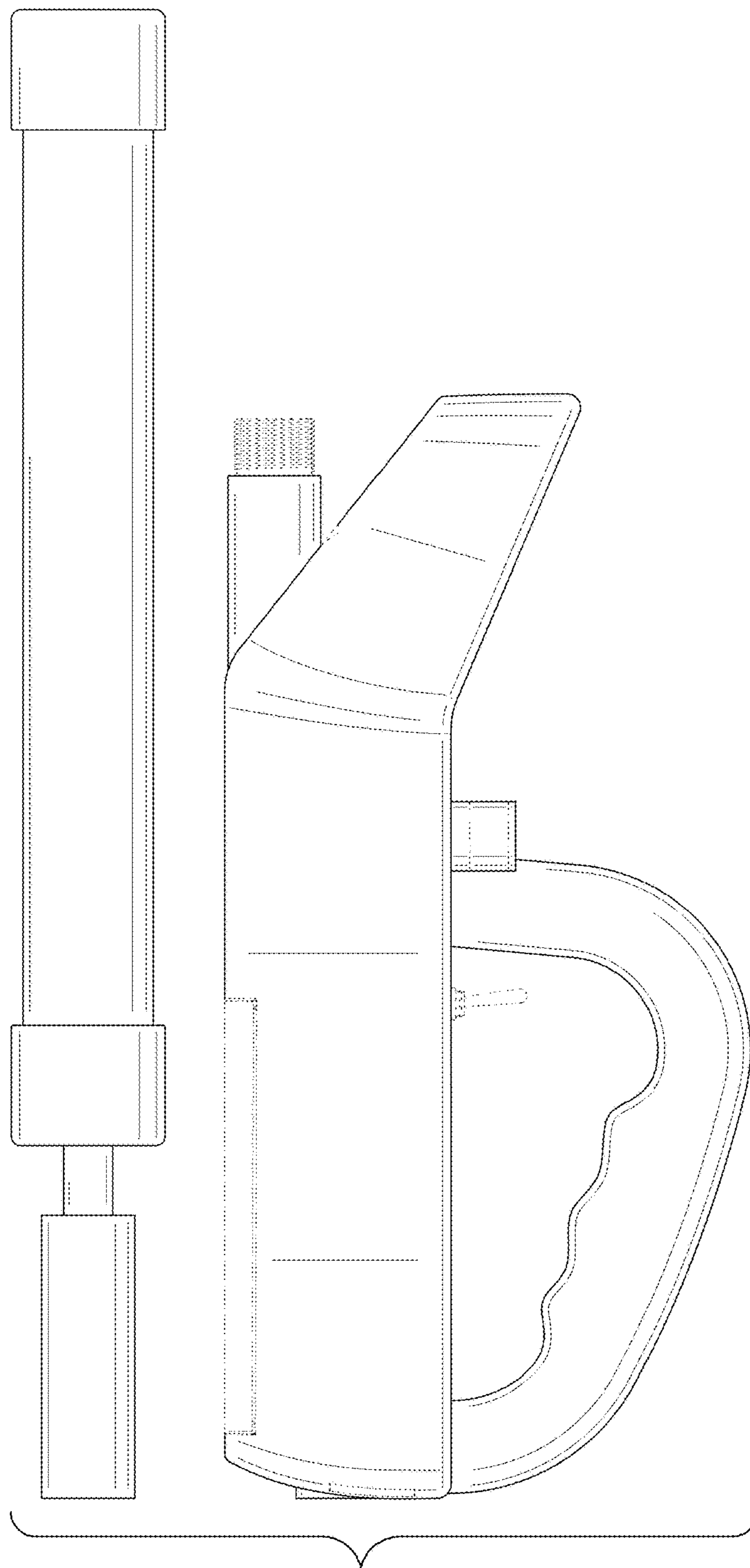


FIG. 11

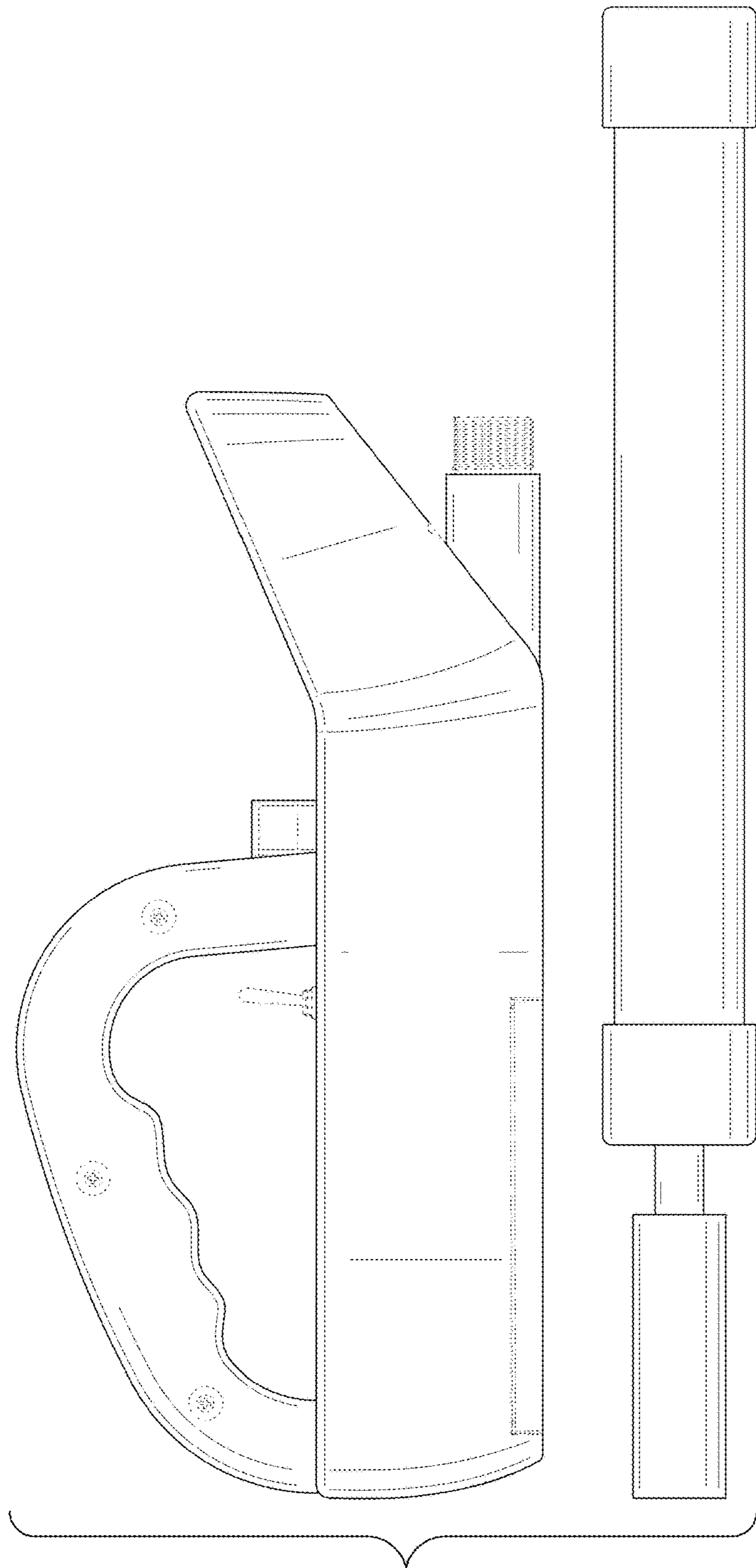


FIG. 12

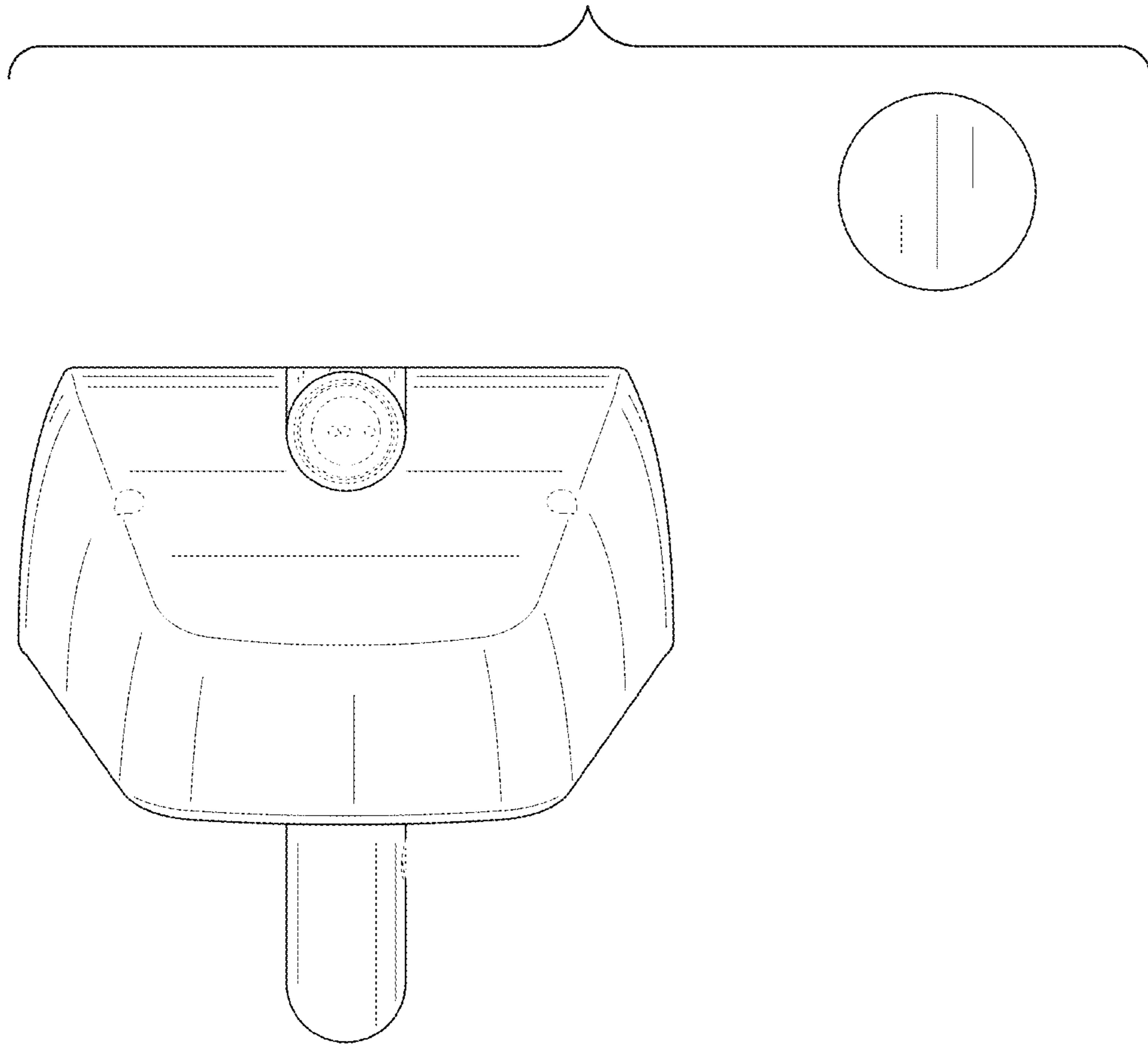


FIG. 13

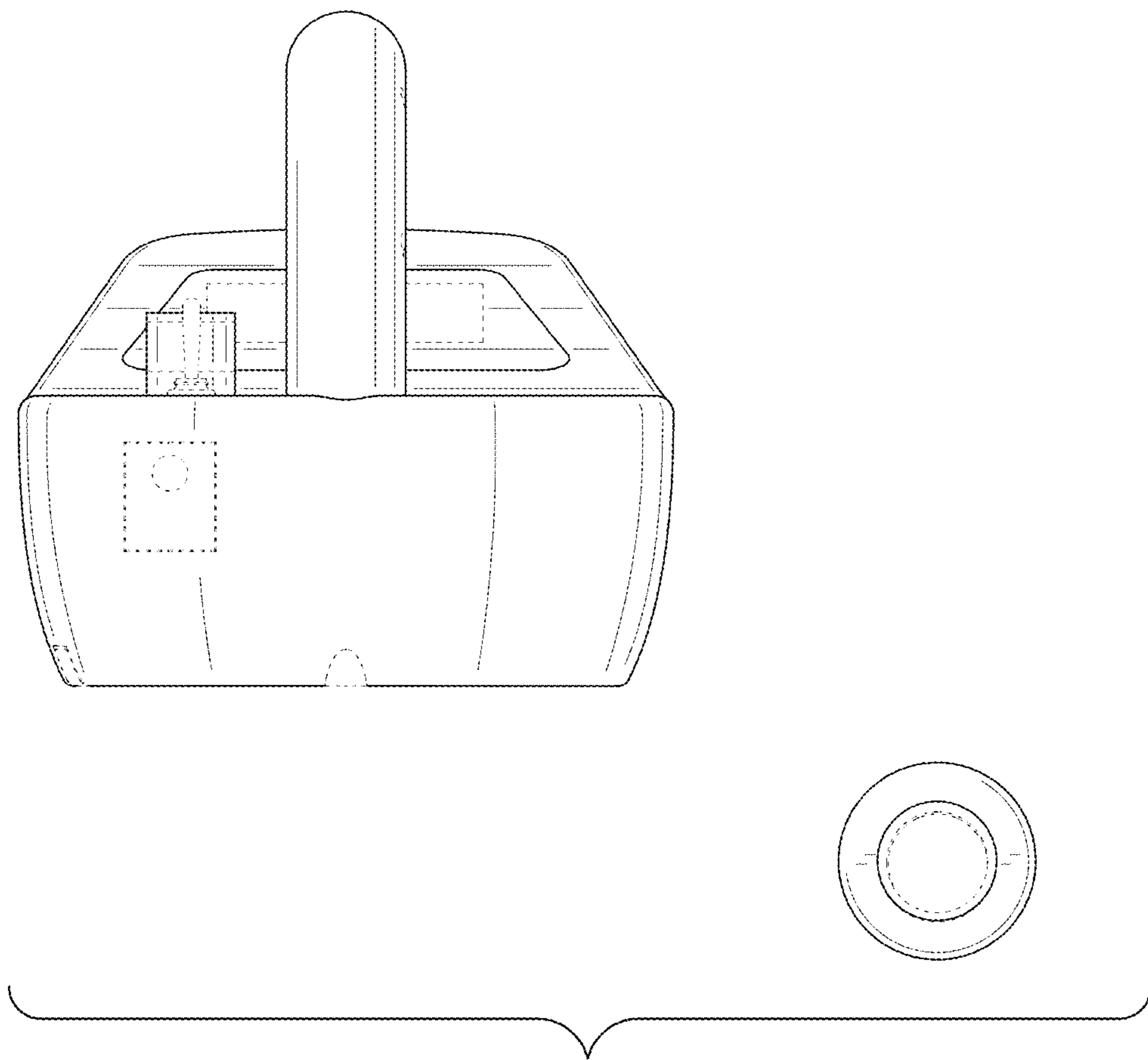


FIG. 14