

US00D96004S

(12) **United States Design Patent**  
**Freilich**

(10) **Patent No.:** **US D960,004 S**

(45) **Date of Patent:** **\*\* Aug. 9, 2022**

(54) **EYEGLOSS SCREW HOLE GAUGE**

D574,494 S \* 8/2008 Schmitt ..... G01B 3/30  
D24/136

(71) Applicant: **Joshua Freilich**, Santa Fe, NM (US)

D598,307 S \* 8/2009 Wilbur ..... D10/65  
D598,791 S \* 8/2009 Kohl ..... D10/64

(72) Inventor: **Joshua Freilich**, Santa Fe, NM (US)

\* cited by examiner

(73) Assignee: **Western Optical Supply, Inc.**, Santa Fe, NM (US)

*Primary Examiner* — Antoine Duval Davis  
(74) *Attorney, Agent, or Firm* — Franklin & Associates International Inc; Matthew F. Lambrinos

(\*\*) Term: **15 Years**

(21) Appl. No.: **29/749,521**

(22) Filed: **Sep. 7, 2020**

(57) **CLAIM**

(51) **LOC (13) Cl.** ..... **10-04**

The ornamental design for the eyeglass screw hole gauge, as shown and described.

(52) **U.S. Cl.**

USPC ..... **D10/64; D10/65**

(58) **Field of Classification Search**

USPC ..... D10/64, 65  
CPC ... G01B 3/16; G01B 3/22; G01B 3/24; G01B 3/26; G01B 3/28; G01B 3/30; G01B 3/34; G01B 3/38; G01B 3/42; G01B 3/46; G01B 3/48; G01B 3/50; G01B 3/36; G01B 3/40; G01B 3/44; G01B 3/52; G02C 13/00; G02C 13/001; G02C 13/003; G02C 13/005

See application file for complete search history.

**DESCRIPTION**

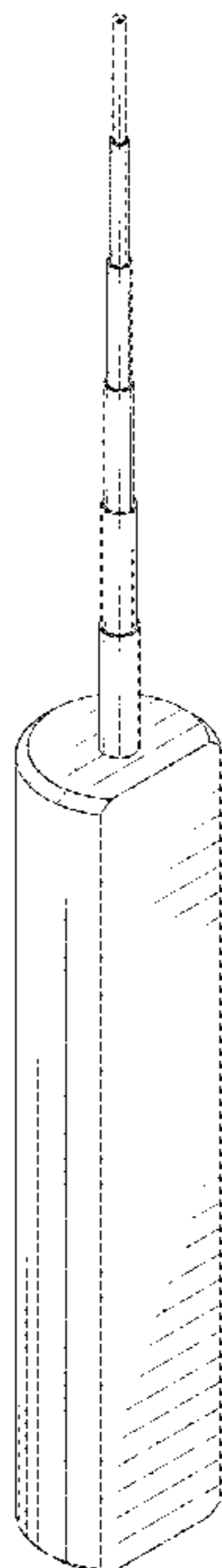
FIG. 1 is a top perspective view of an eyeglass screw hole gauge showing my new design according to an embodiment; FIG. 2 is a front end view of the eyeglass screw hole gauge of FIG. 1; FIG. 3 is a left side elevation view of the eyeglass screw hole gauge of FIG. 1; FIG. 4 is a right side elevation view of the eyeglass screw hole gauge of FIG. 1; FIG. 5 is a rear end view of the eyeglass screw hole gauge of FIG. 1; FIG. 6 is a top plan view of the eyeglass screw hole gauge of FIG. 1; and, FIG. 7 is a bottom plan view of the eyeglass screw hole gauge of FIG. 1. The shade lines in the Figures show contour and not surface ornamentation.

(56) **References Cited**

**U.S. PATENT DOCUMENTS**

D253,047 S \* 10/1979 Morgan ..... D10/64  
5,199,180 A \* 4/1993 Yablonsky ..... G01B 3/30  
D10/64  
6,575,115 B2 \* 6/2003 Lake ..... G01B 5/066  
I16/200  
D489,277 S \* 5/2004 Zorian ..... D10/62  
7,181,858 B2 \* 2/2007 Haug ..... G01B 5/025  
D10/64

**1 Claim, 4 Drawing Sheets**



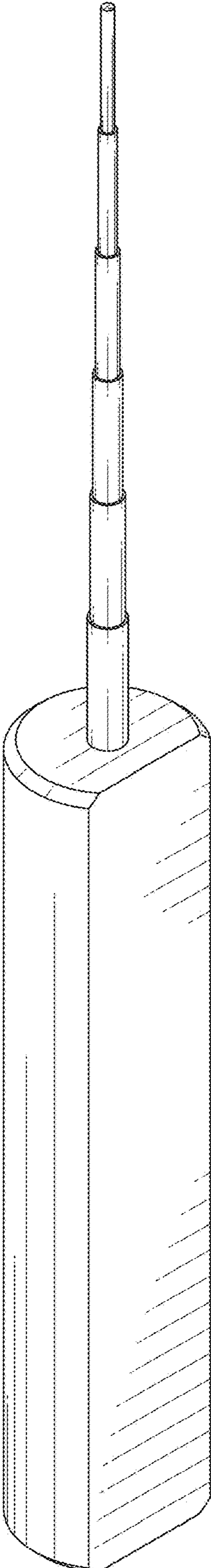


FIG. 1

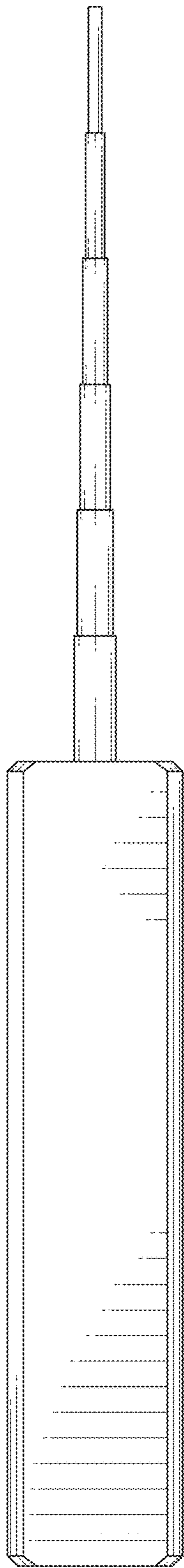


FIG. 2

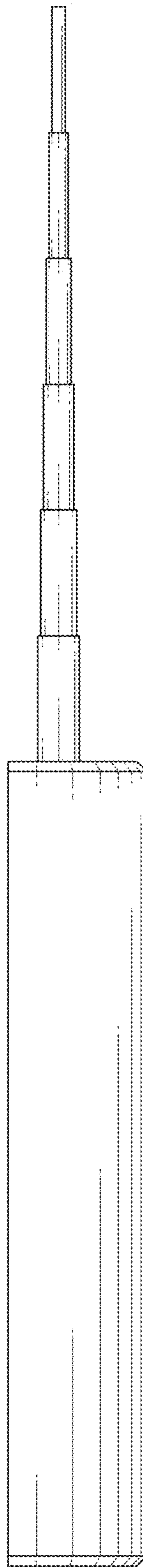


FIG. 3

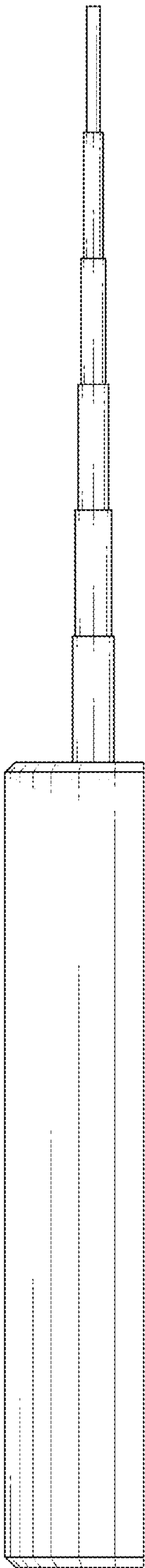


FIG. 4

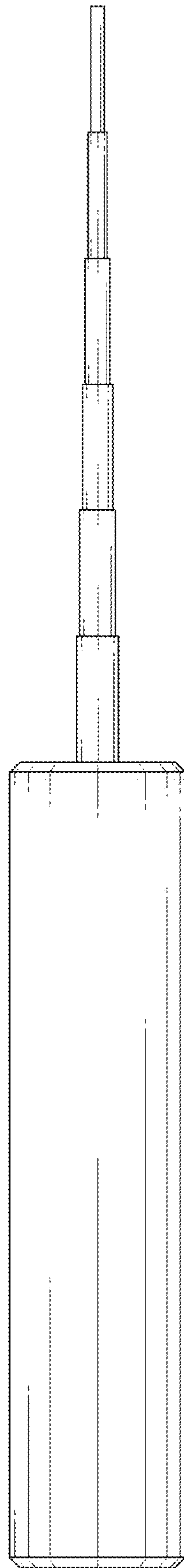


FIG. 5

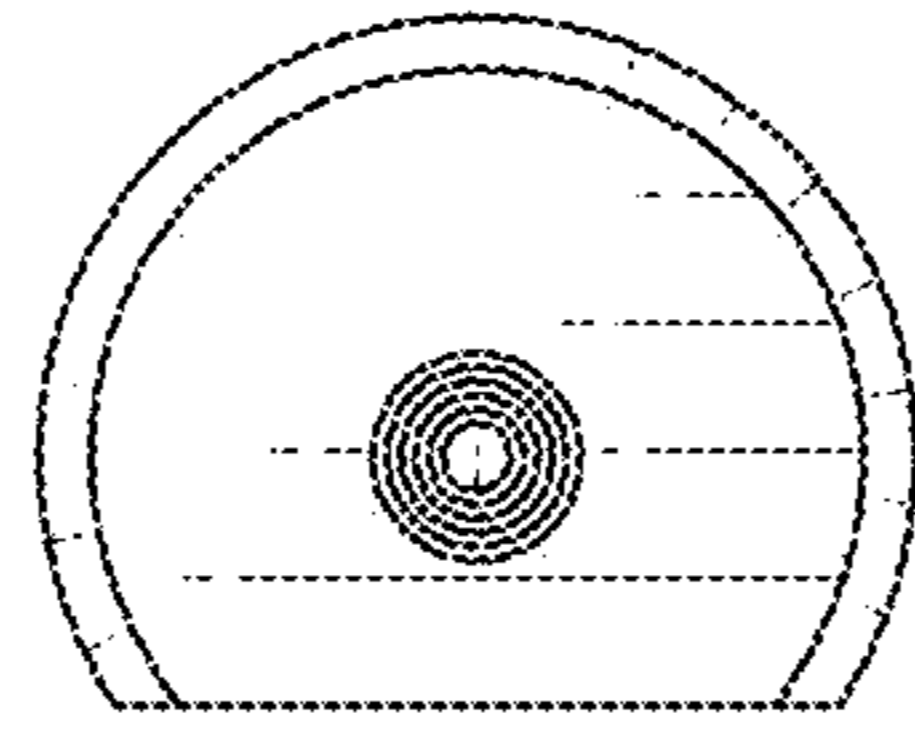


FIG. 6

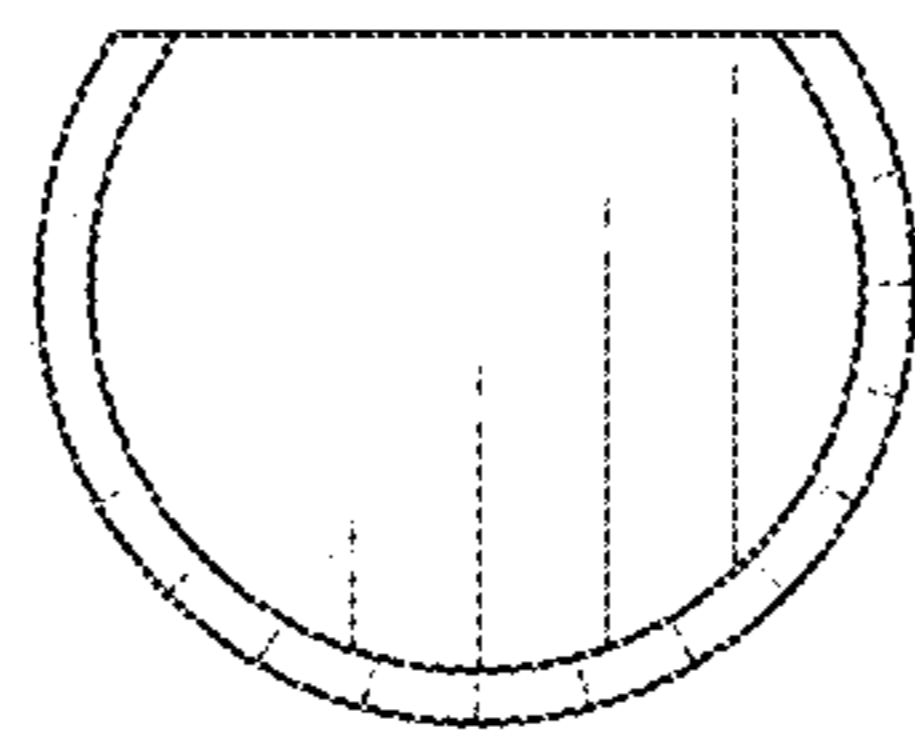


FIG. 7