



US00D960002S

(12) **United States Design Patent**  
**Tinney**

(10) **Patent No.:** **US D960,002 S**

(45) **Date of Patent:** **\*\* Aug. 9, 2022**

(54) **WIRELESS THERMOMETER**

(71) Applicant: **Logan Outdoor Products, LLC**, Hyde Park, UT (US)

(72) Inventor: **Roman Douglas Tinney**, Providence, UT (US)

(73) Assignee: **LOGAN OUTDOOR PRODUCTS, LLC**, Hyde Park, UT (US)

(\*\*) Term: **15 Years**

(21) Appl. No.: **29/761,780**

(22) Filed: **Dec. 11, 2020**

(51) **LOC (13) Cl.** ..... **10-04**

(52) **U.S. Cl.**  
USPC ..... **D10/57**

(58) **Field of Classification Search**  
USPC ..... D10/49, 50, 57  
CPC ..... G01K 1/00; G01K 1/02; G01K 1/022;  
G01K 1/026; G01K 1/028; G01K 1/08  
See application file for complete search history.

(56) **References Cited**

**U.S. PATENT DOCUMENTS**

D837,669 S *	1/2019	Yu	.....	G08C 17/02
				D10/57
D845,154 S *	4/2019	Yu	.....	D10/78
D847,006 S *	4/2019	Hu	.....	D10/57
D885,943 S *	6/2020	Yu	.....	D10/57
D891,949 S *	8/2020	Yi	.....	D10/57
D899,277 S *	10/2020	Wang	.....	D10/57
D927,997 S *	8/2021	Yu	.....	D10/57
D929,247 S *	8/2021	Yu	.....	D10/57

D929,877 S \* 9/2021 Yu ..... D10/52  
2021/0270678 A1\* 9/2021 Owen ..... G08C 17/02

\* cited by examiner

*Primary Examiner* — Antoine Duval Davis

(74) *Attorney, Agent, or Firm* — Amardeep S. Grewal;  
Reed Smith LLP

(57) **CLAIM**

The ornamental design for a wireless thermometer, as shown and described.

**DESCRIPTION**

FIG. 1 is a top front isometric view of a wireless thermometer showing the design.

FIG. 2 bottom rear isometric view of the wireless thermometer of FIG. 1.

FIG. 3 is front elevation view of the wireless thermometer of FIG. 1.

FIG. 4 is a rear elevation view of the wireless thermometer of FIG. 1.

FIG. 5 is a left elevation view of the wireless thermometer of FIG. 1.

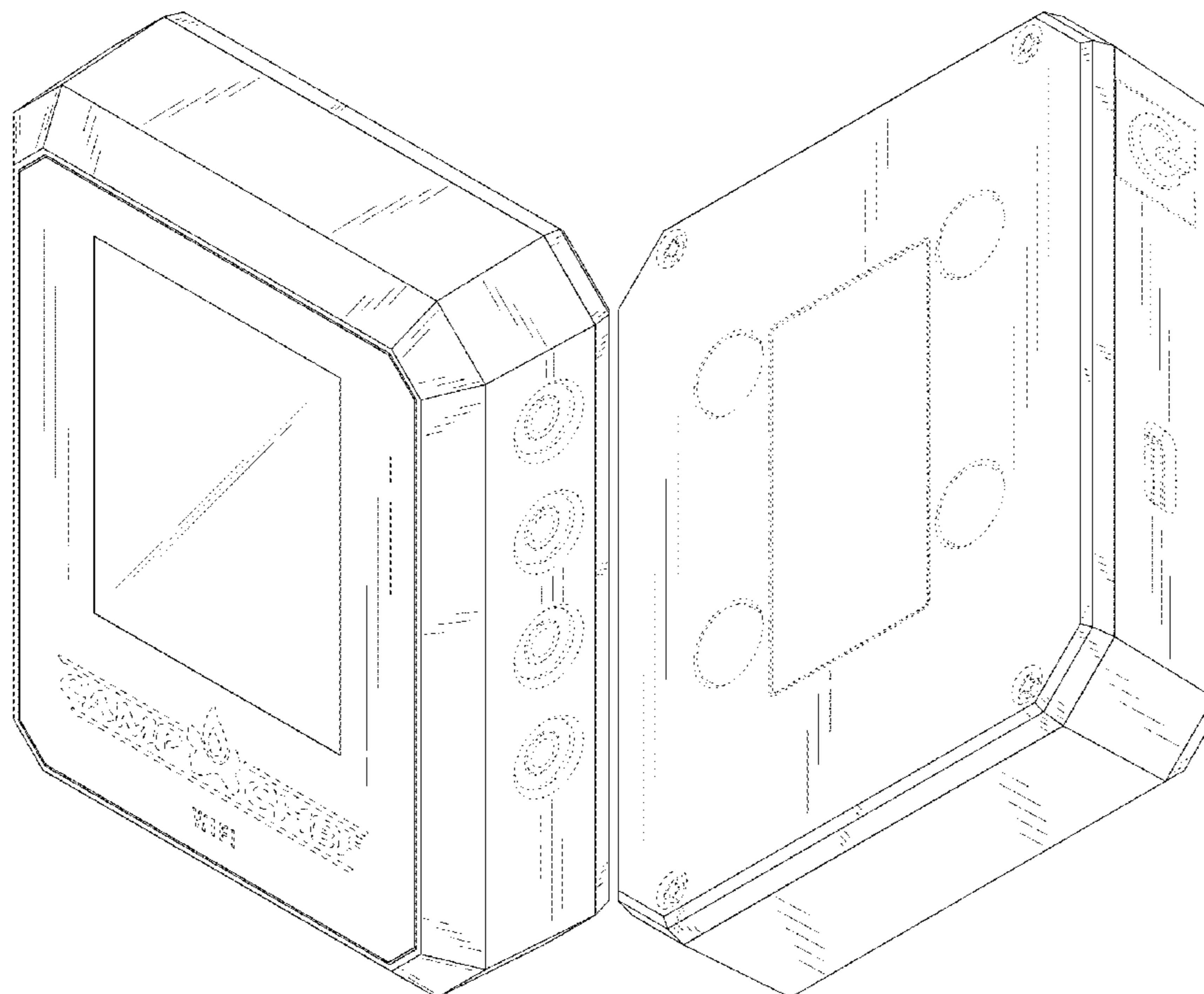
FIG. 6 is a right elevation view of the wireless thermometer of FIG. 1.

FIG. 7 is a top plan view of the wireless thermometer of FIG. 1; and,

FIG. 8 is a bottom plan view of the wireless thermometer of FIG. 1.

The dashed lines in the drawings illustrate portions of the wireless thermometer that form no part of the claimed design. The shading lines shown in the drawings represent the approximate three-dimensional contour of the claimed design and are not intended to indicate surface decoration.

**1 Claim, 6 Drawing Sheets**



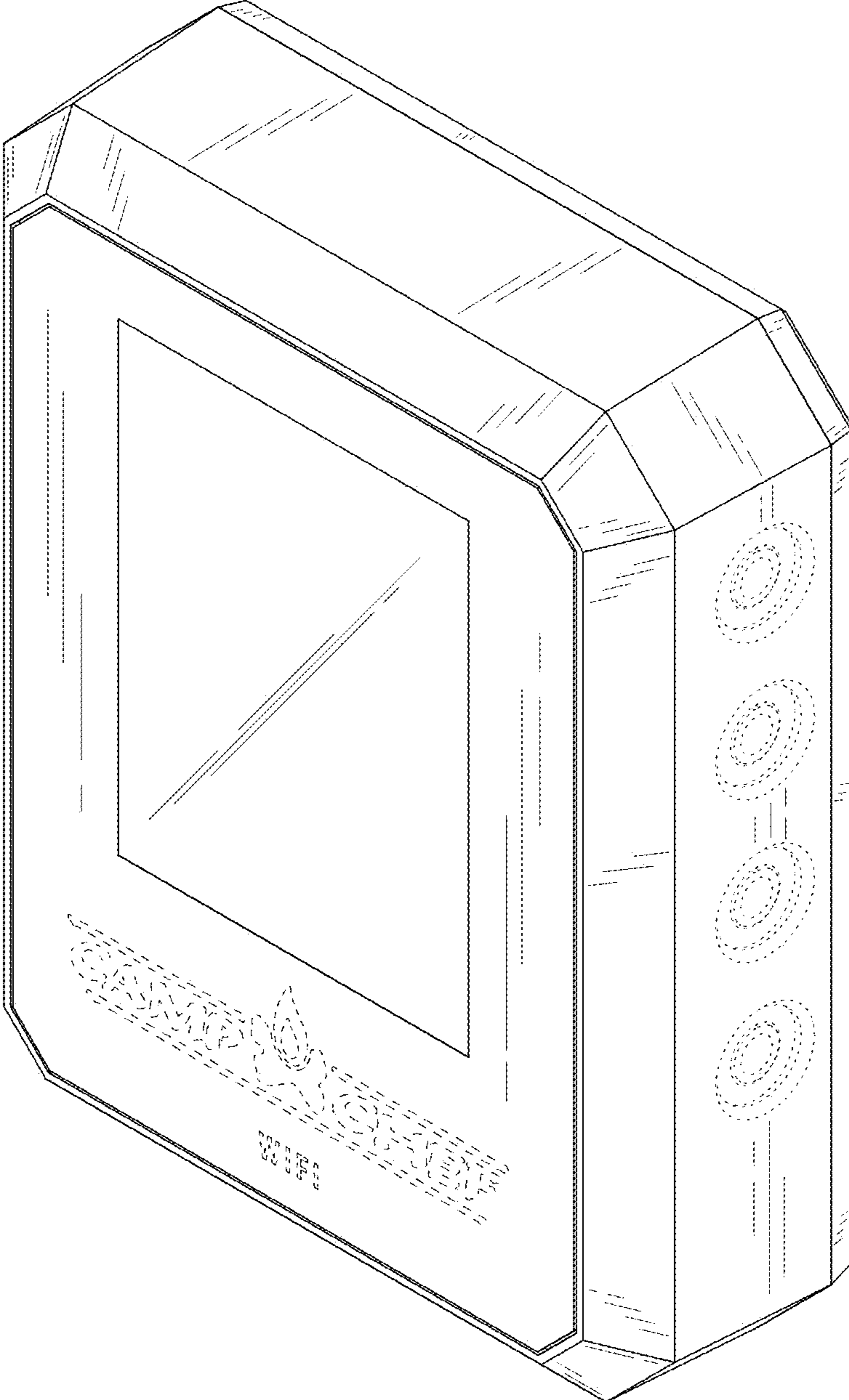


FIG. 1

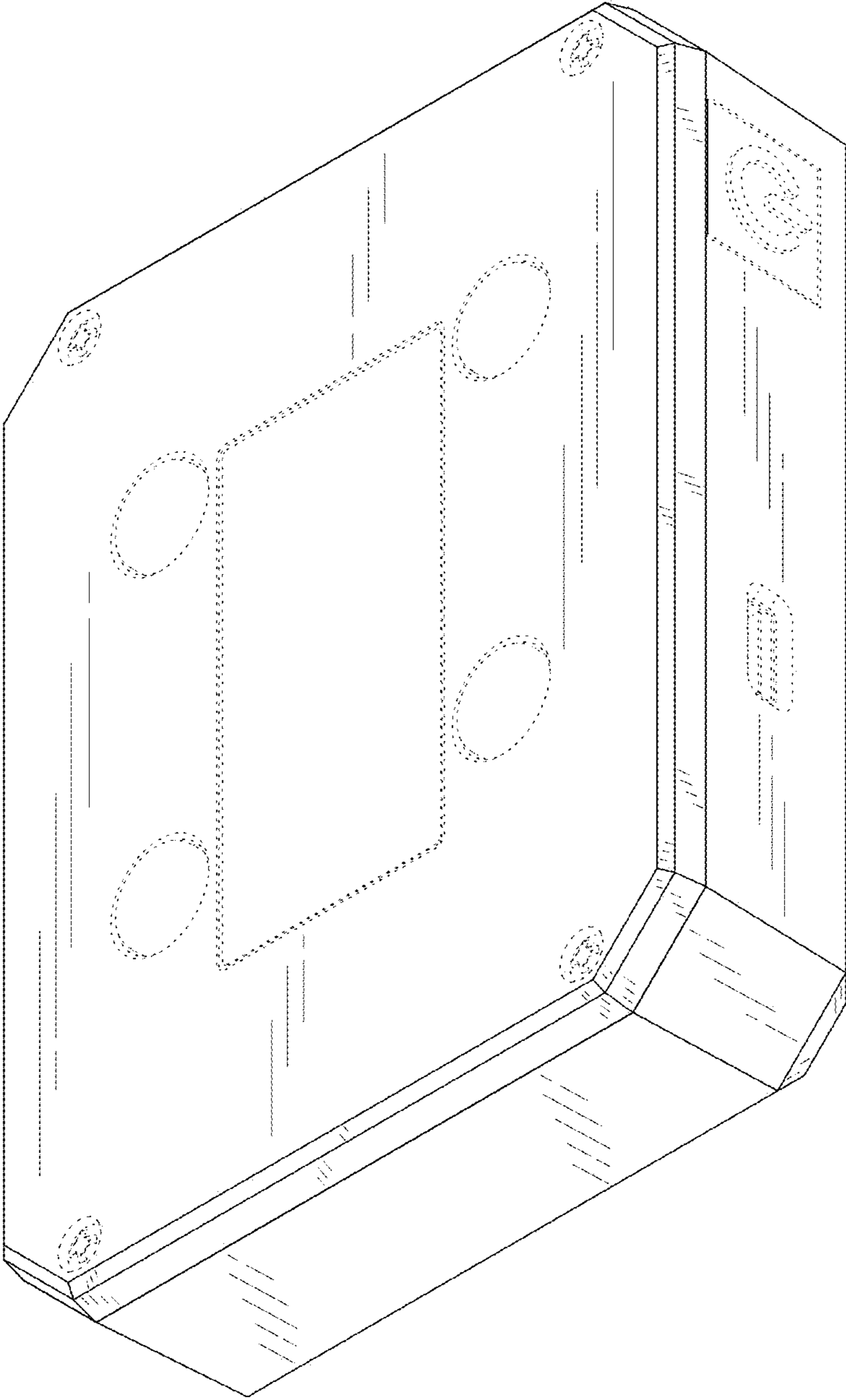


FIG. 2

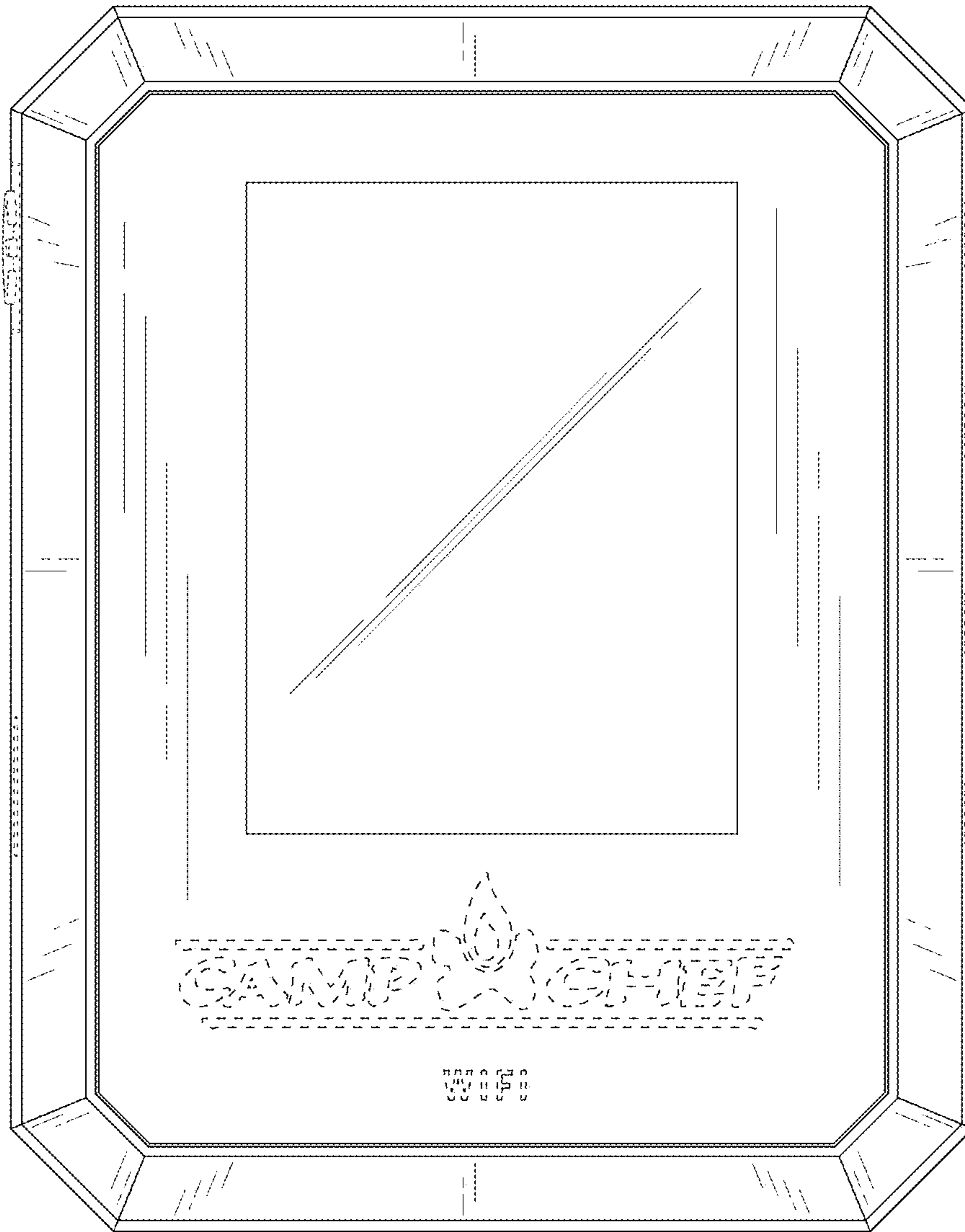


FIG. 3

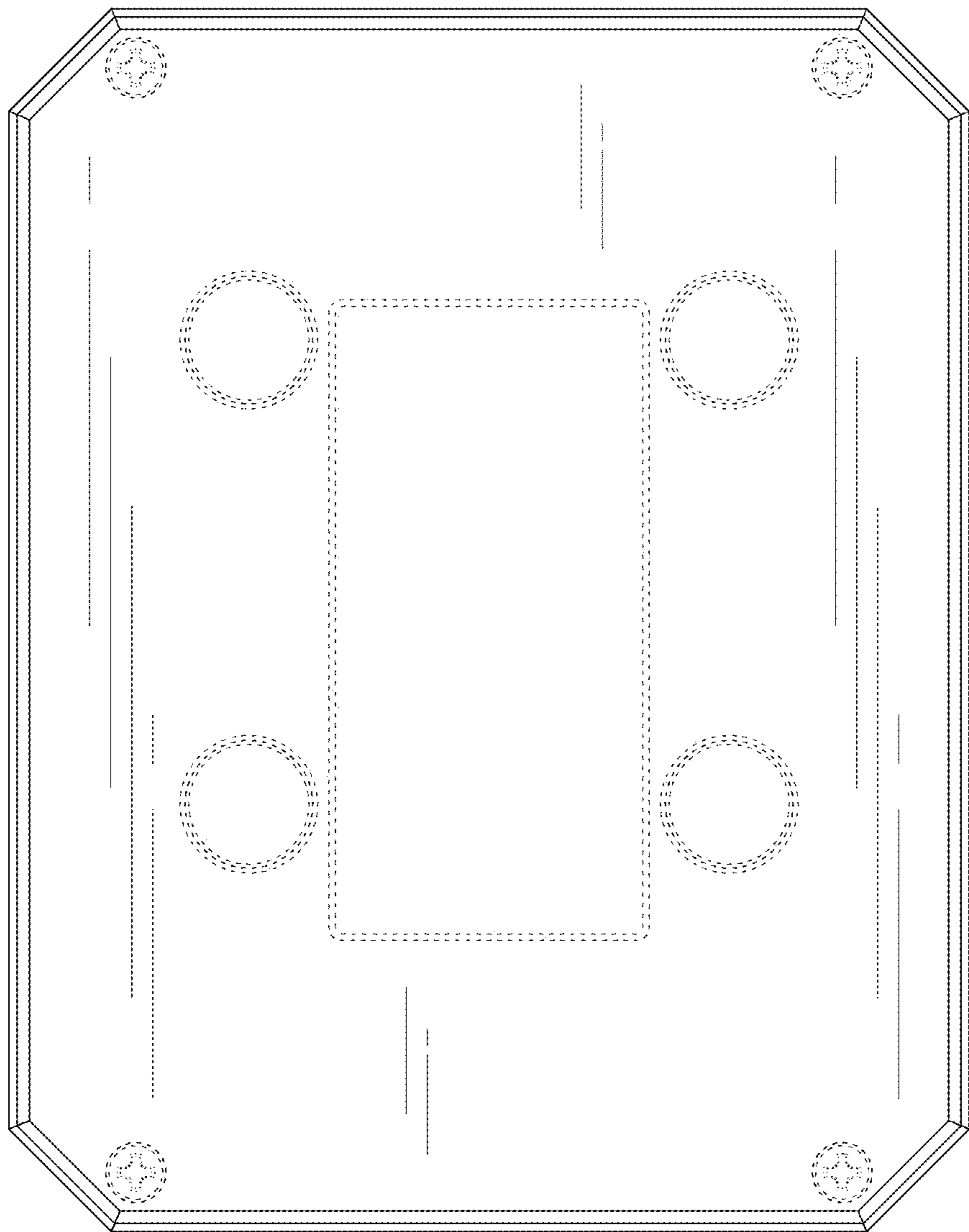


FIG. 4

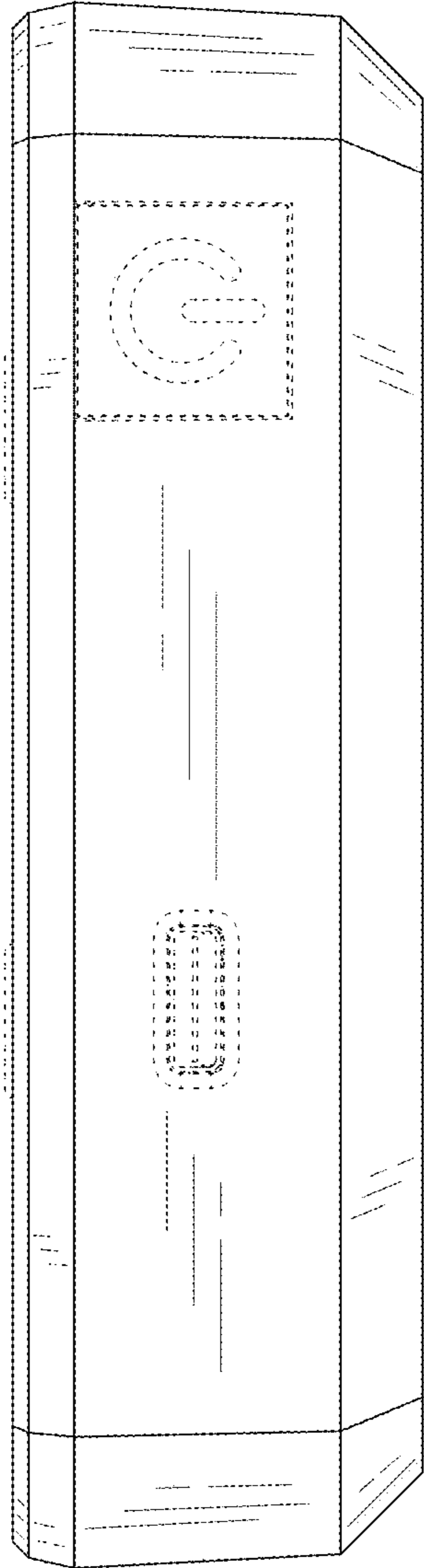


FIG. 5

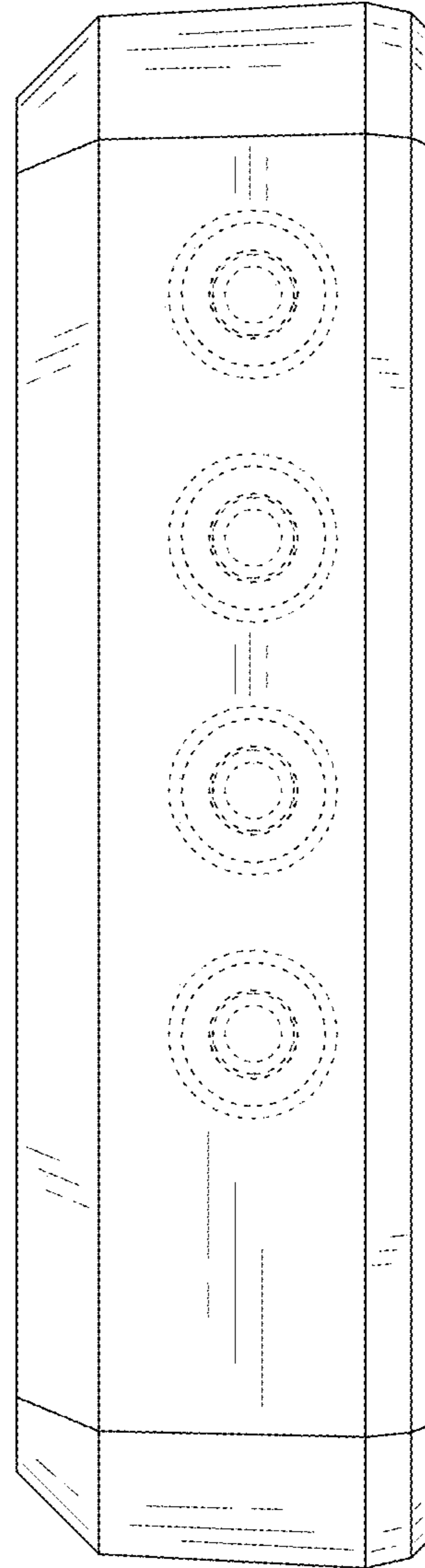


FIG. 6

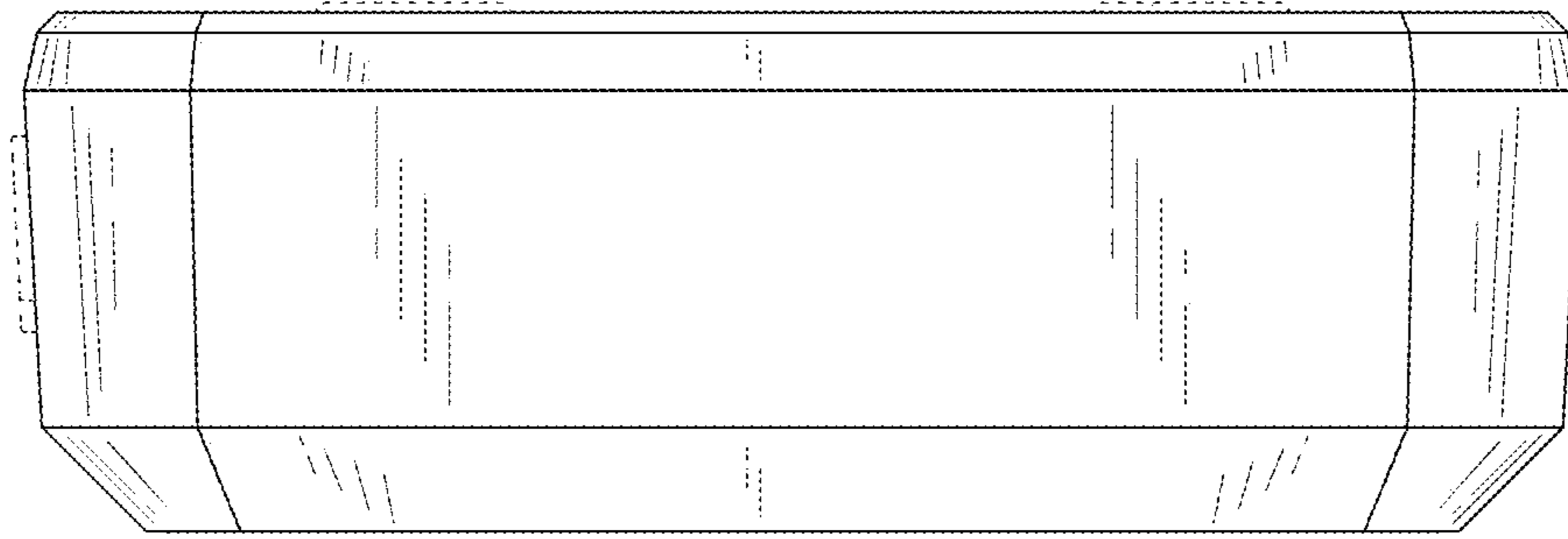


FIG. 7

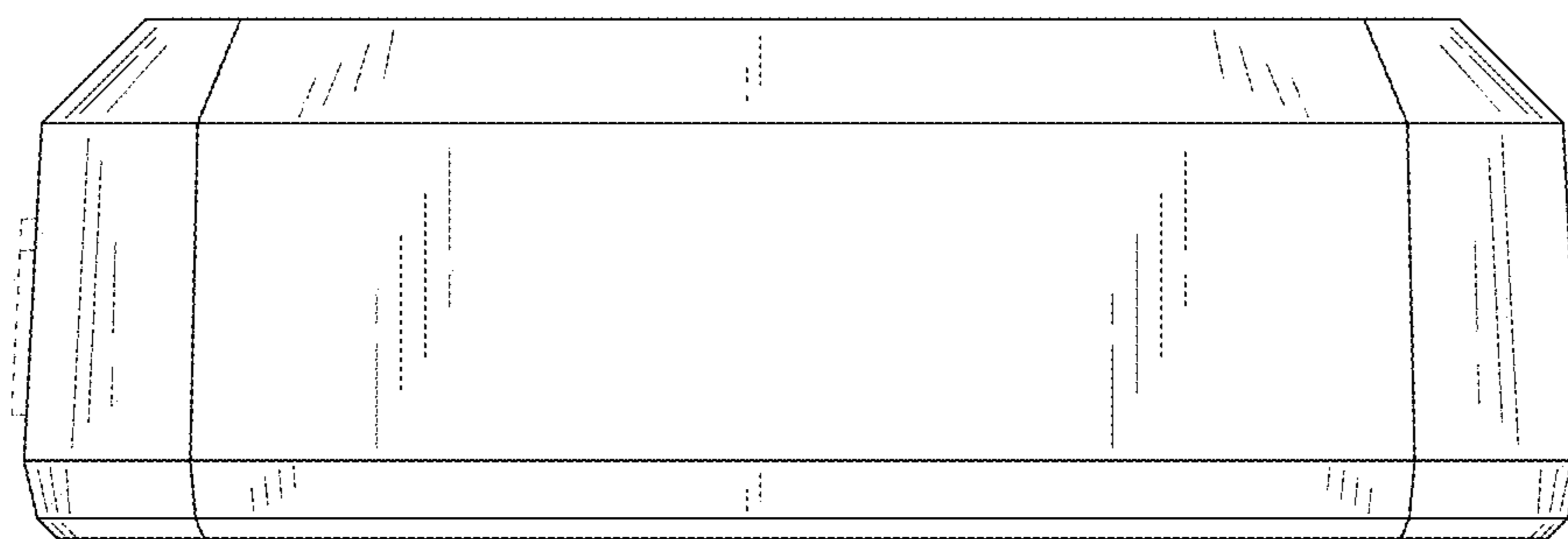


FIG. 8