



US00D960001S

(12) **United States Design Patent** (10) **Patent No.:** **US D960,001 S**
Li et al. (45) **Date of Patent:** **** Aug. 9, 2022**

(54) **THERMOMETER**

(71) Applicant: **Polder Products, LLC**, Oxford, CT (US)

(72) Inventors: **Man Li**, Tuen Mun (HK); **Kerry Cooper**, Pleasantville, NY (US)

(73) Assignee: **Polder Products, LLC**, Oxford, CT (US)

(**) Term: **15 Years**

(21) Appl. No.: **29/749,394**

(22) Filed: **Sep. 4, 2020**

(51) **LOC (13) Cl.** **10-04**

(52) **U.S. Cl.**
USPC **D10/57**

(58) **Field of Classification Search**
USPC D10/57
CPC G01K 2207/02; G01K 2207/04; G01K 2207/06; G01K 2207/08
See application file for complete search history.

(56) **References Cited**

U.S. PATENT DOCUMENTS

D545,223 S *	6/2007	Chen	D10/57
7,520,668 B2 *	4/2009	Chen	G01K 1/14 374/170
D906,140 S *	12/2020	Wang	G01J 5/02 D10/57
D918,066 S *	5/2021	Tang	D10/57

* cited by examiner

Primary Examiner — Antoine Duval Davis

(74) *Attorney, Agent, or Firm* — Duane Morris LLP

(57) **CLAIM**

The ornamental design for a thermometer, as shown and described.

DESCRIPTION

FIG. 1 is an isometric view of a thermometer in a first orientation;

FIG. 2 is a top side view of the thermometer illustrated in FIG. 1 in the first orientation;

FIG. 3 is a bottom side view of the thermometer illustrated in FIG. 1 in the first orientation;

FIG. 4 is a side view of the thermometer illustrated in FIG. 1 in the first orientation;

FIG. 5 is a side view, which is opposite the side view of FIG. 4, of the thermometer illustrated in FIG. 1 in the first orientation;

FIG. 6 is a first end view of the thermometer illustrated in FIG. 1 in the first orientation;

FIG. 7 is a second end view, which is opposite the end view of FIG. 6, of the thermometer illustrated in FIG. 1 in the first orientation;

FIG. 8 is a bottom side isometric view of the thermometer illustrated in FIG. 1 in a second orientation;

FIG. 9 is a top side view of the thermometer illustrated in FIG. 1 in the second orientation;

FIG. 10 is a bottom side view of the thermometer illustrated in FIG. 1 in the second orientation;

FIG. 11 is a side view of the thermometer illustrated in FIG. 1 in the second orientation;

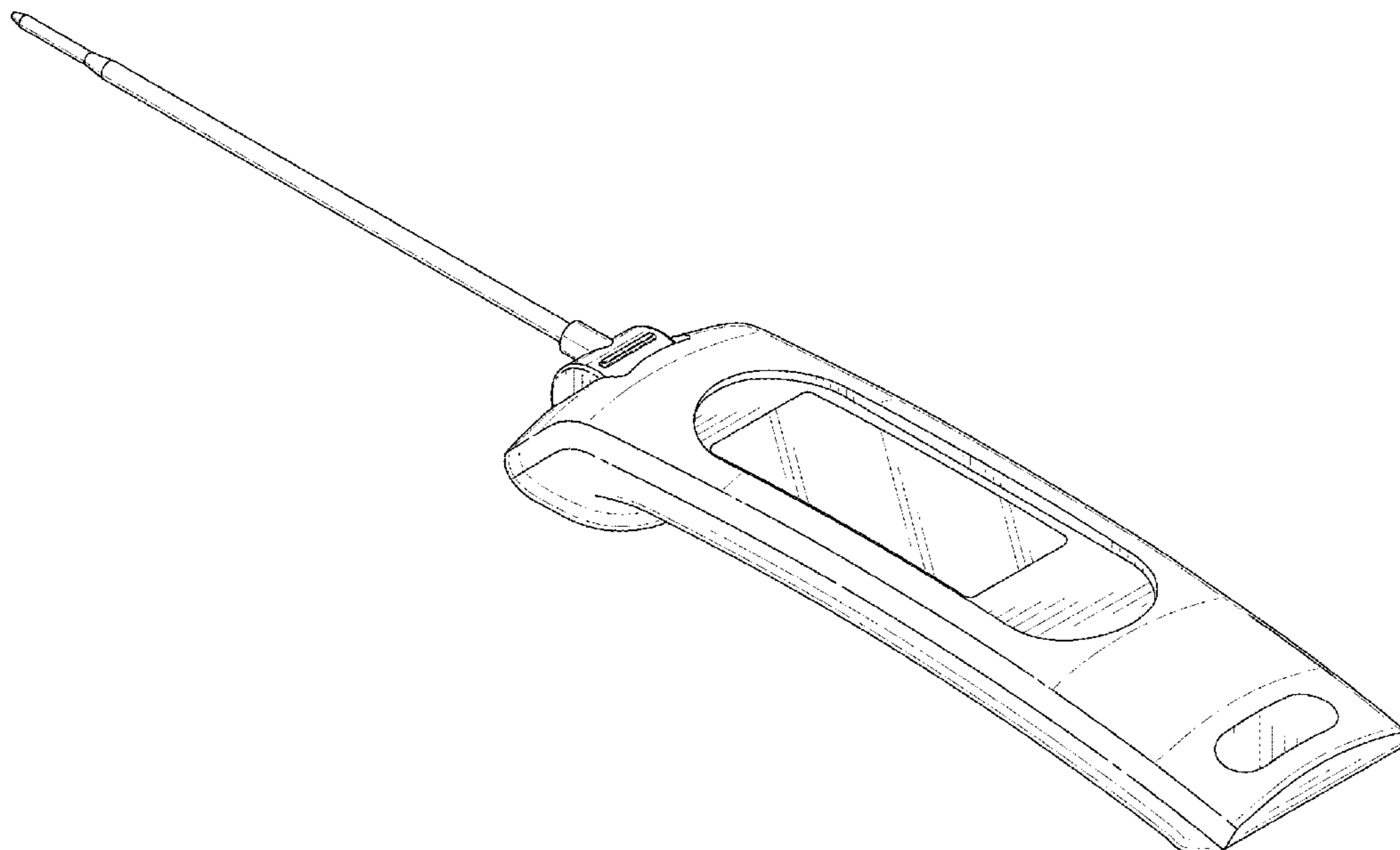
FIG. 12 is a side view, which is opposite the side view of FIG. 11, of the thermometer illustrated in FIG. 1 in the second orientation;

FIG. 13 is a first end view of the thermometer illustrated in FIG. 1 in the second orientation; and,

FIG. 14 is a second end view, which is opposite the end view of FIG. 13, of the thermometer illustrated in FIG. 1 in the second orientation.

The broken lines in the drawings form no part of the design to be patented.

1 Claim, 12 Drawing Sheets



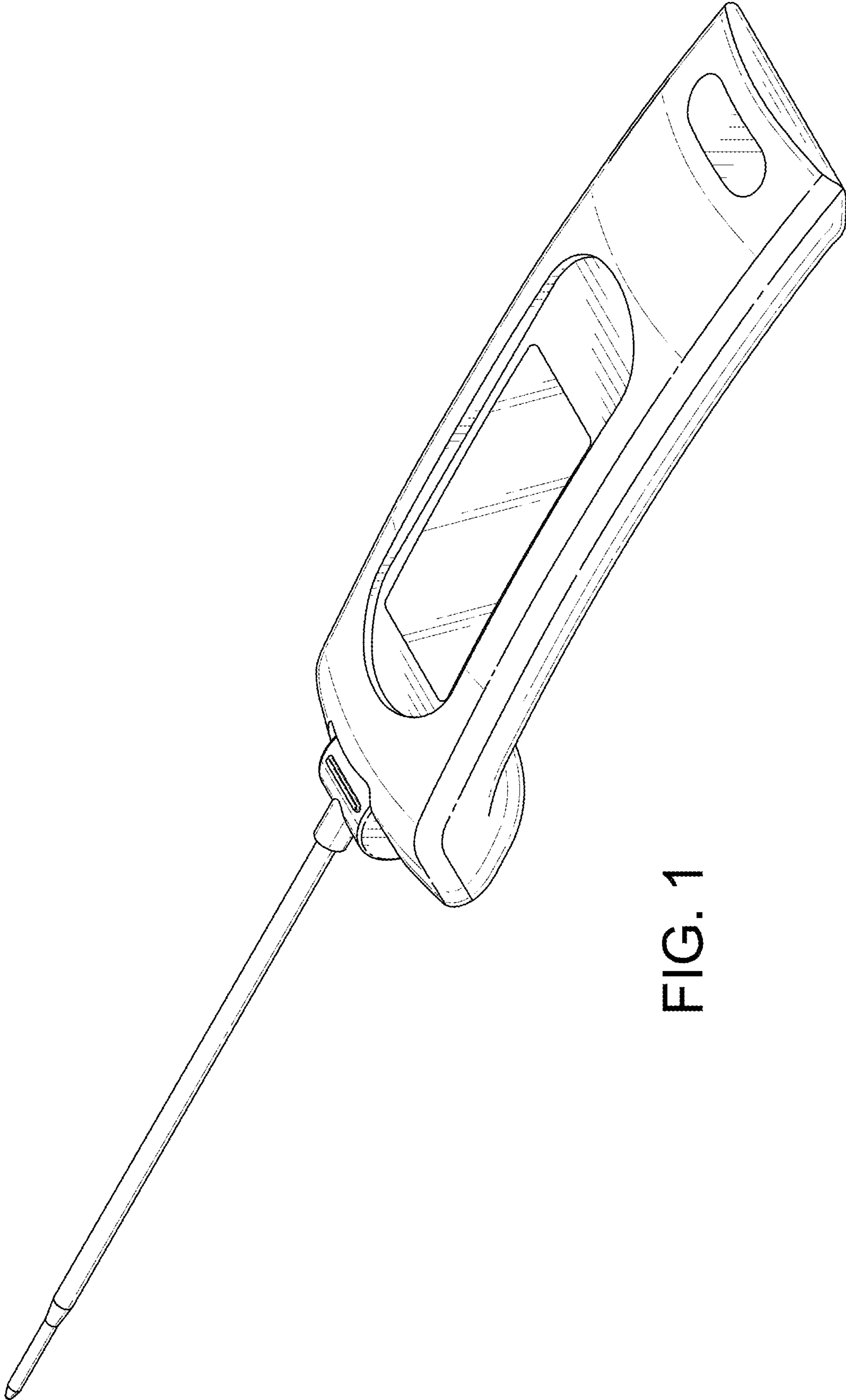


FIG. 1

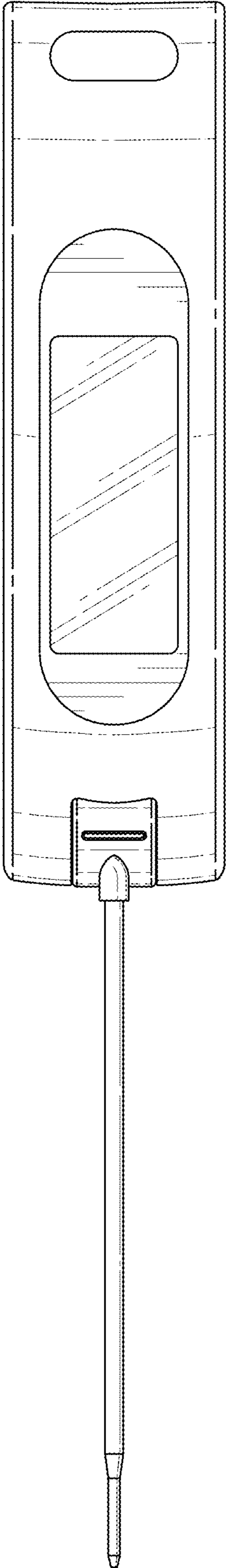


FIG. 2

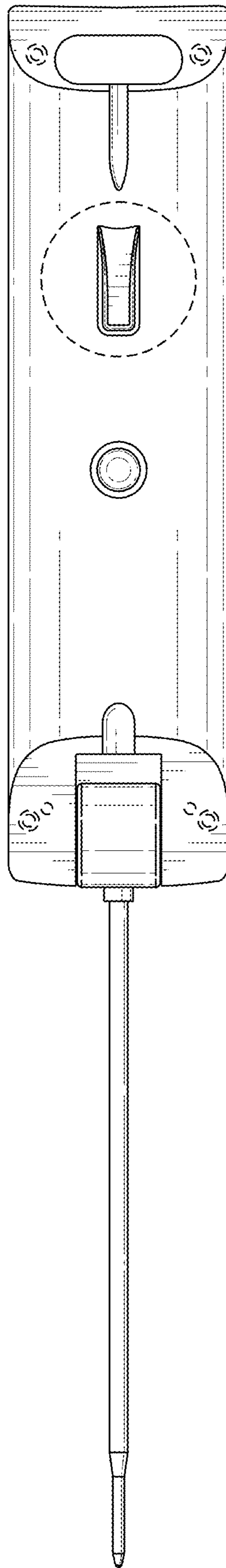


FIG. 3

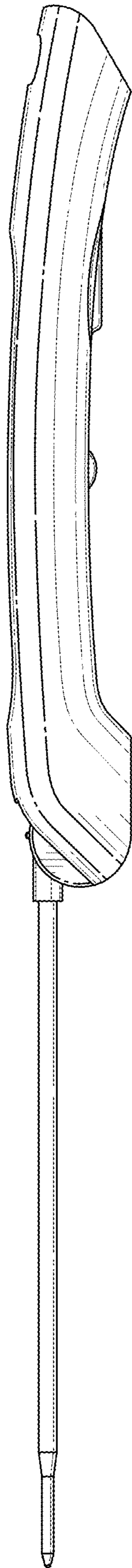


FIG. 4

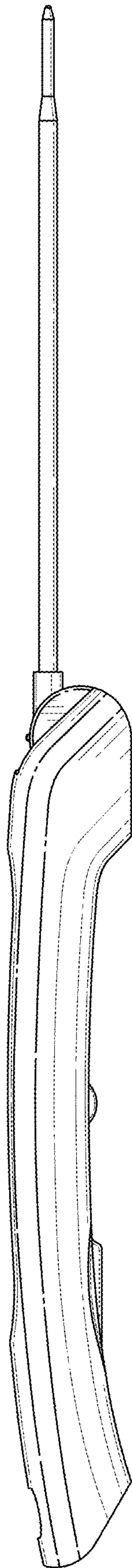


FIG. 5

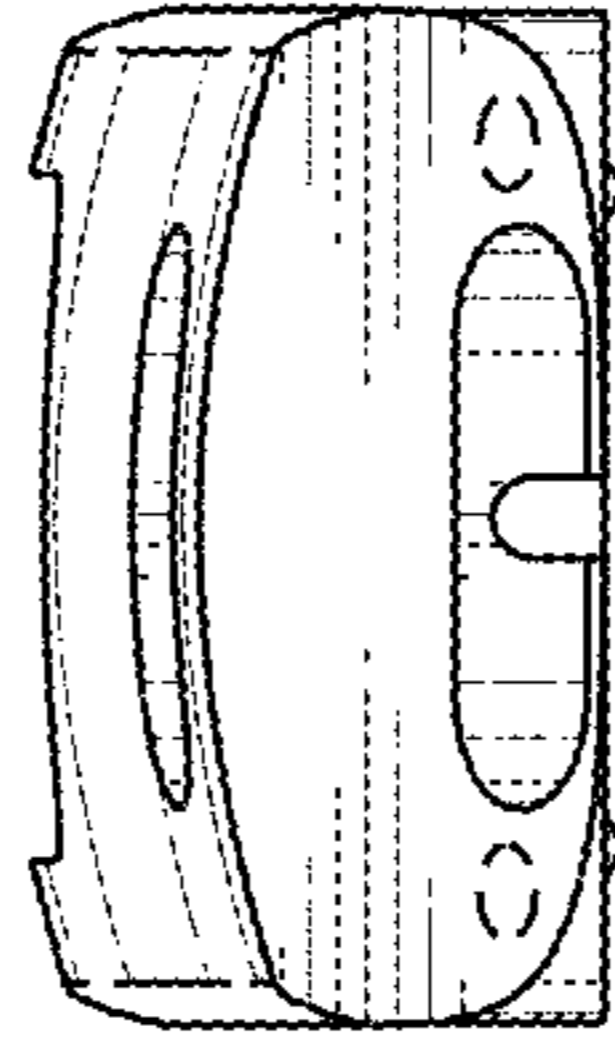


FIG. 7

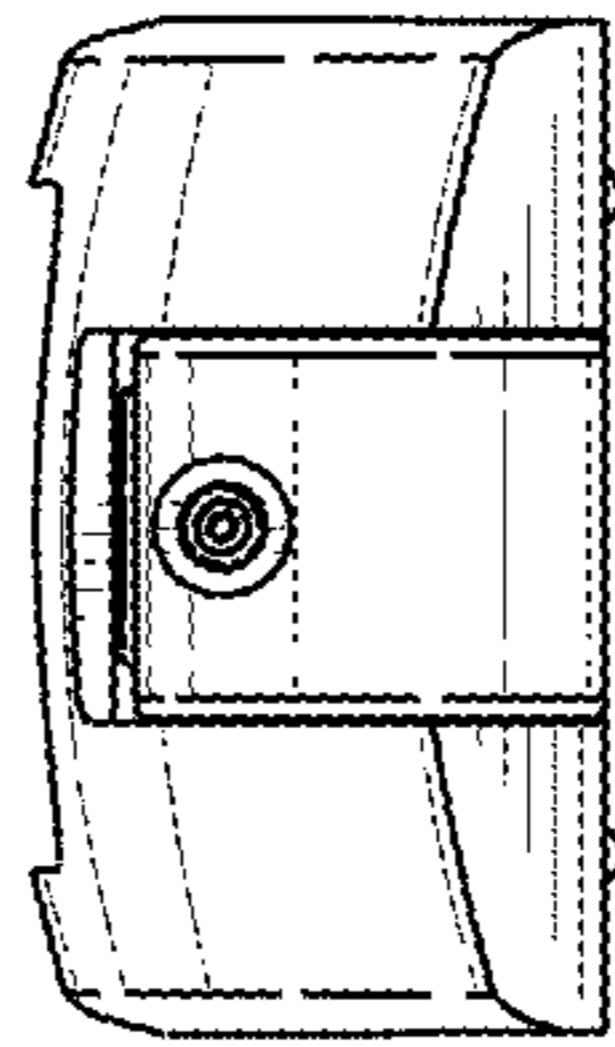


FIG. 6

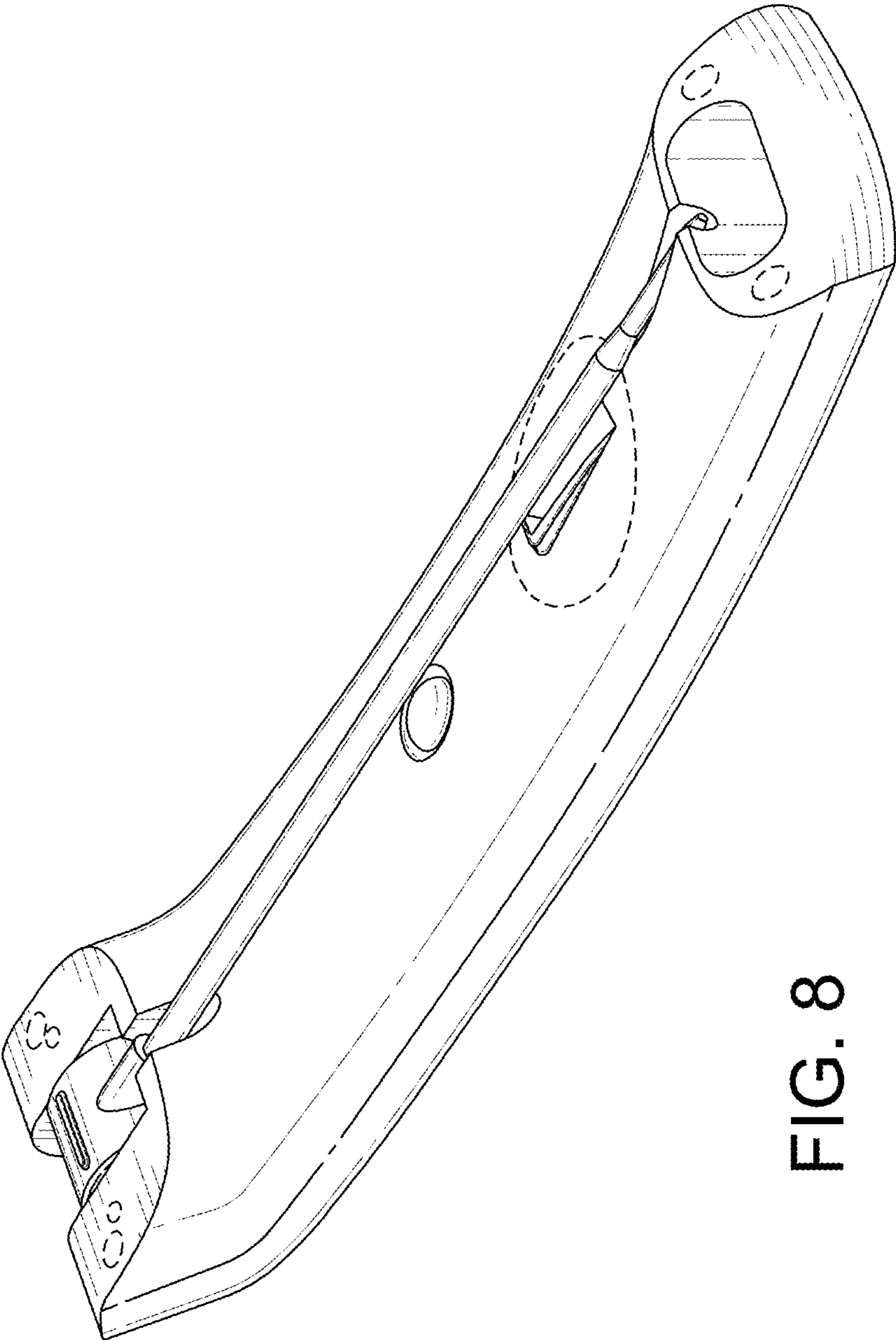


FIG. 8

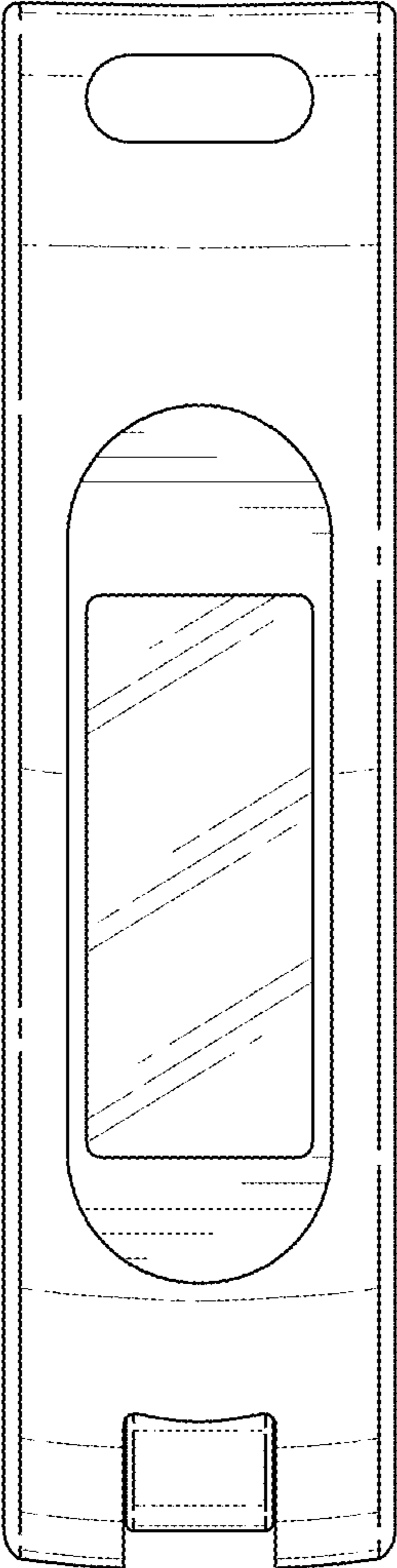


FIG. 9

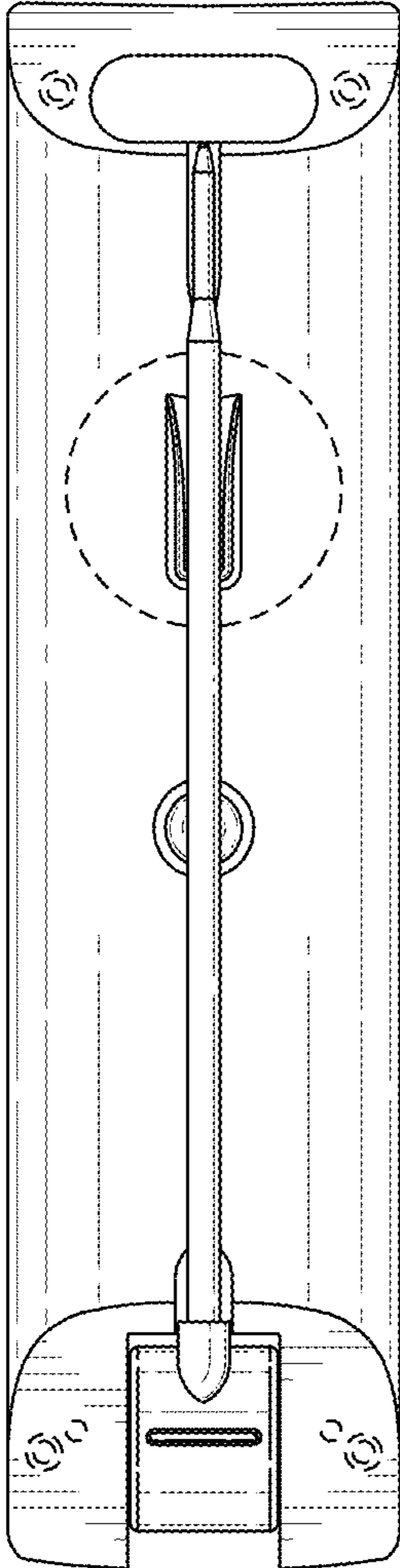


FIG. 10

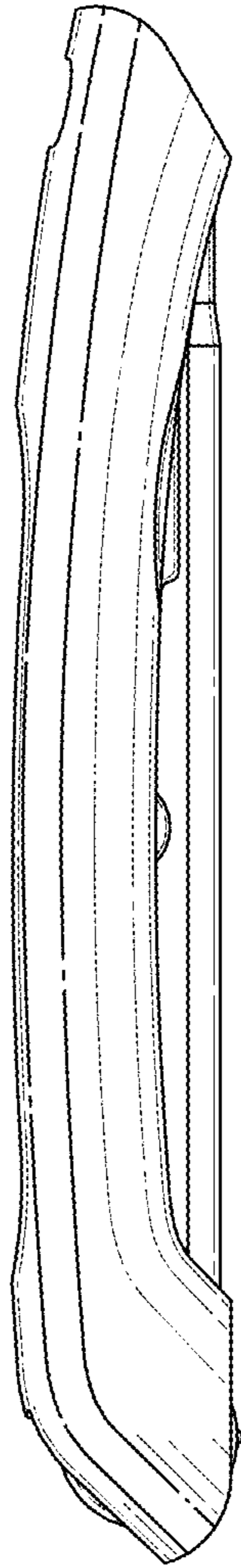


FIG. 11

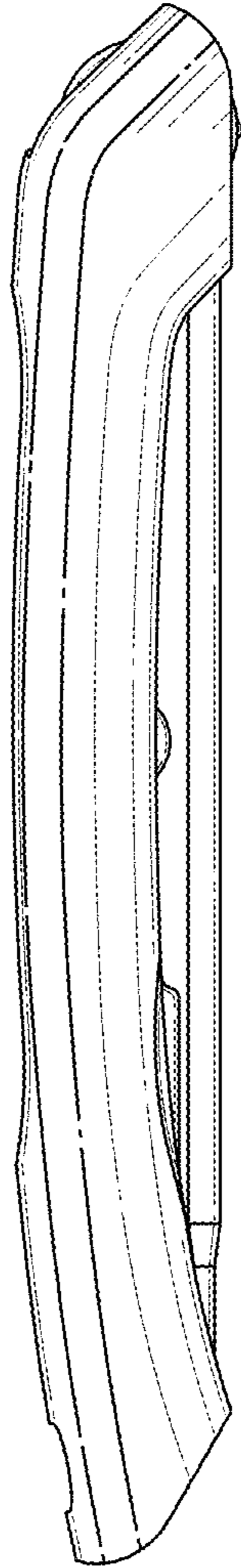


FIG. 12

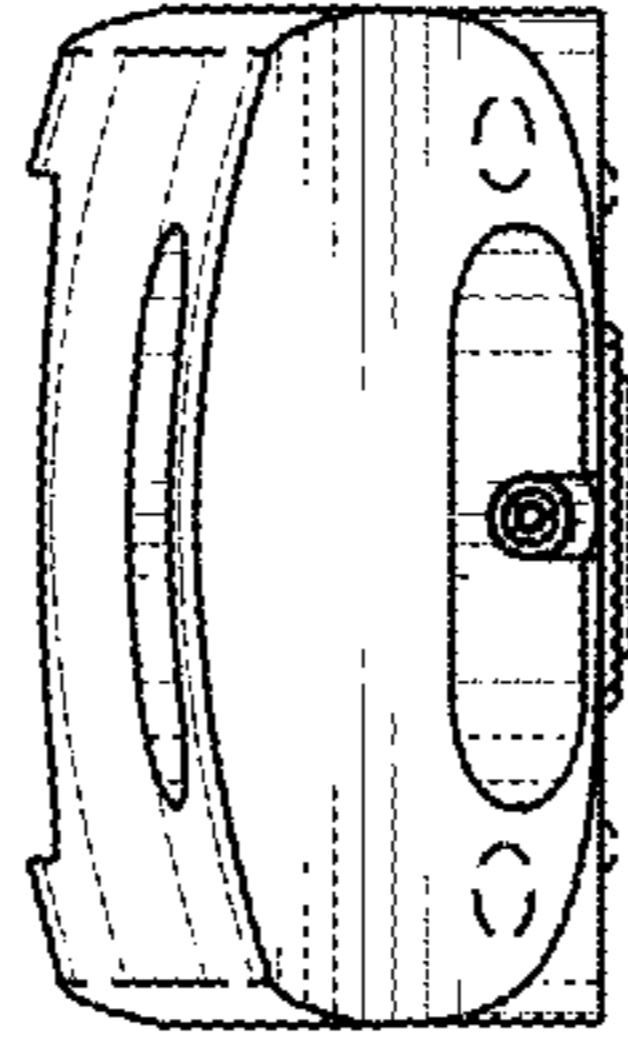


FIG. 14

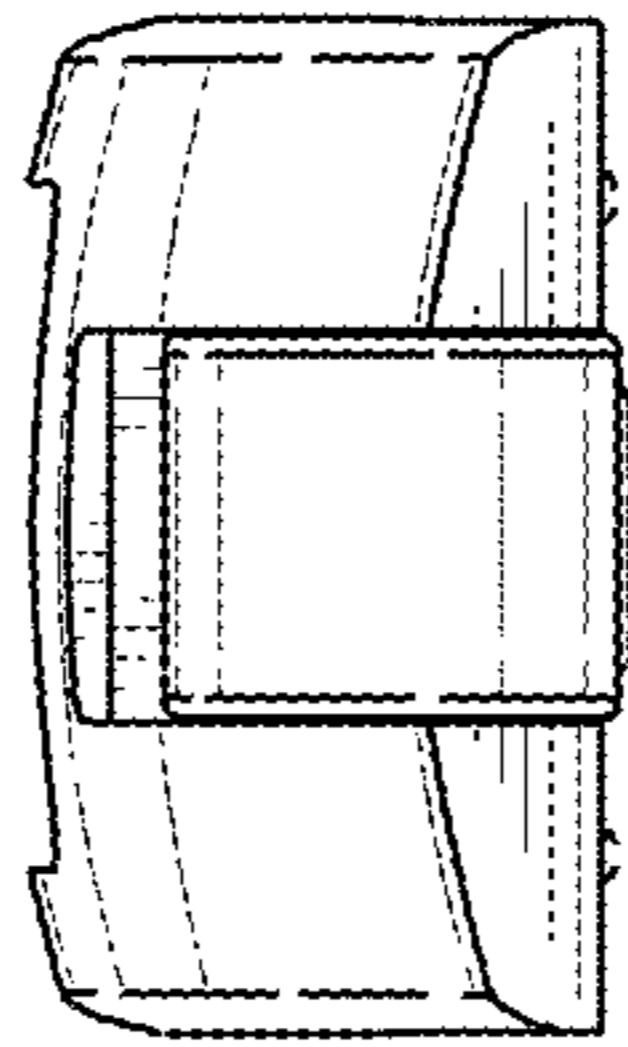


FIG. 13