



US00D95998S

(12) **United States Design Patent**
Guo

(10) **Patent No.:** **US D959,998 S**

(45) **Date of Patent:** **** Aug. 9, 2022**

(54) **METAL DETECTOR**

(71) Applicant: **Yuanke Guo**, Hunan (CN)

(72) Inventor: **Yuanke Guo**, Hunan (CN)

(**) Term: **15 Years**

(21) Appl. No.: **29/816,663**

(22) Filed: **Nov. 23, 2021**

(51) **LOC (13) Cl.** **10-04**

(52) **U.S. Cl.**
USPC **D10/47**

(58) **Field of Classification Search**
USPC D10/47

CPC ... G01V 3/00; G01V 3/02; G01V 3/04; G01V 3/06; G01V 3/08; G01V 3/081; G01V 3/082; G01V 3/083; G01V 2003/084; G01V 2003/085; G01V 2003/086; G01V 3/087; G01V 3/088; G01V 3/10; G01V 3/101; G01V 3/102; G01V 3/104; G01V 3/105; G01V 3/107; G01V 3/108; G01V 3/12; G01V 3/14; G01V 3/15; G01V 3/16; G01V 3/165; G01V 3/17; G01V 3/175; G01V 3/18; G01V 3/20; G01V 3/22; G01V 3/24; G01V 3/26; G01V 3/265; G01V 3/28; G01V 3/30; G01V 3/32; G01V 3/34; G01V 3/36; G01V 3/38; G01V 3/40

See application file for complete search history.

(56) **References Cited**

U.S. PATENT DOCUMENTS

D497,559 S * 10/2004 Johnson D10/47
D513,706 S * 1/2006 Johnson D10/47
D583,261 S * 12/2008 Johnson D10/47
7,575,065 B1 * 8/2009 Podhrasky G01V 3/15
172/438
D694,130 S * 11/2013 Manneschi D10/47
9,347,798 B1 * 5/2016 Johnson H04R 1/028
D796,971 S * 9/2017 Dubos H04R 1/028
D10/47

D867,168 S * 11/2019 Griffin A01B 1/00
D10/47
D872,601 S * 1/2020 Tremp D10/47
D881,726 S * 4/2020 Deng D10/47
D885,938 S * 6/2020 Deng H01J 49/049
D10/47

(Continued)

FOREIGN PATENT DOCUMENTS

CA 2858541 A1 * 2/2015 G01V 3/102
CN 214674483 U * 11/2021

Primary Examiner — Antoine Duval Davis

(74) *Attorney, Agent, or Firm* — True Shepherd, LLC;
Andrew Cheng

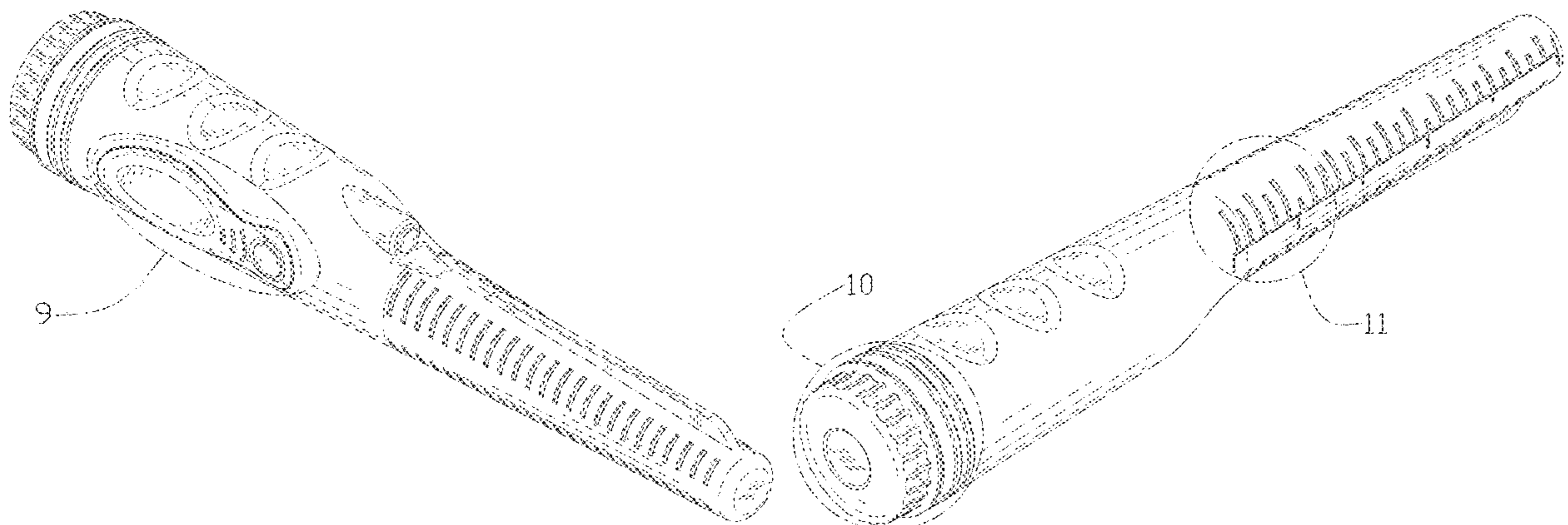
(57) **CLAIM**

The ornamental design for a metal detector, as shown and described.

DESCRIPTION

FIG. 1 is a front, right and top perspective view of a metal detector, showing my design.
FIG. 2 is a rear, left and bottom perspective view thereof.
FIG. 3 is a front elevation view thereof.
FIG. 4 is a rear elevation view thereof.
FIG. 5 is a left side elevation view thereof.
FIG. 6 is a right side elevation view thereof.
FIG. 7 is a top plan view thereof.
FIG. 8 is a bottom plan view thereof.
FIG. 9 is a partial enlarged view of an area labeled 9 in FIG. 1 comprising a button.
FIG. 10 is a partial enlarged view of an area labeled 10 in FIG. 2 comprising a rotary knob; and,
FIG. 11 is a partial enlarged view of an area labeled 11 in FIG. 2 comprising grooves.
The broken lines shown in the drawings are included for the purpose of illustrating portions of the metal detector that form no part of the claimed design.

1 Claim, 11 Drawing Sheets



(56)

References Cited

U.S. PATENT DOCUMENTS

D937,102 S * 11/2021 Deng G01S 13/887
D10/47
2012/0194376 A1* 8/2012 Daly G01S 13/887
342/22
2015/0340214 A1* 11/2015 Wu H01J 49/049
250/281

* cited by examiner

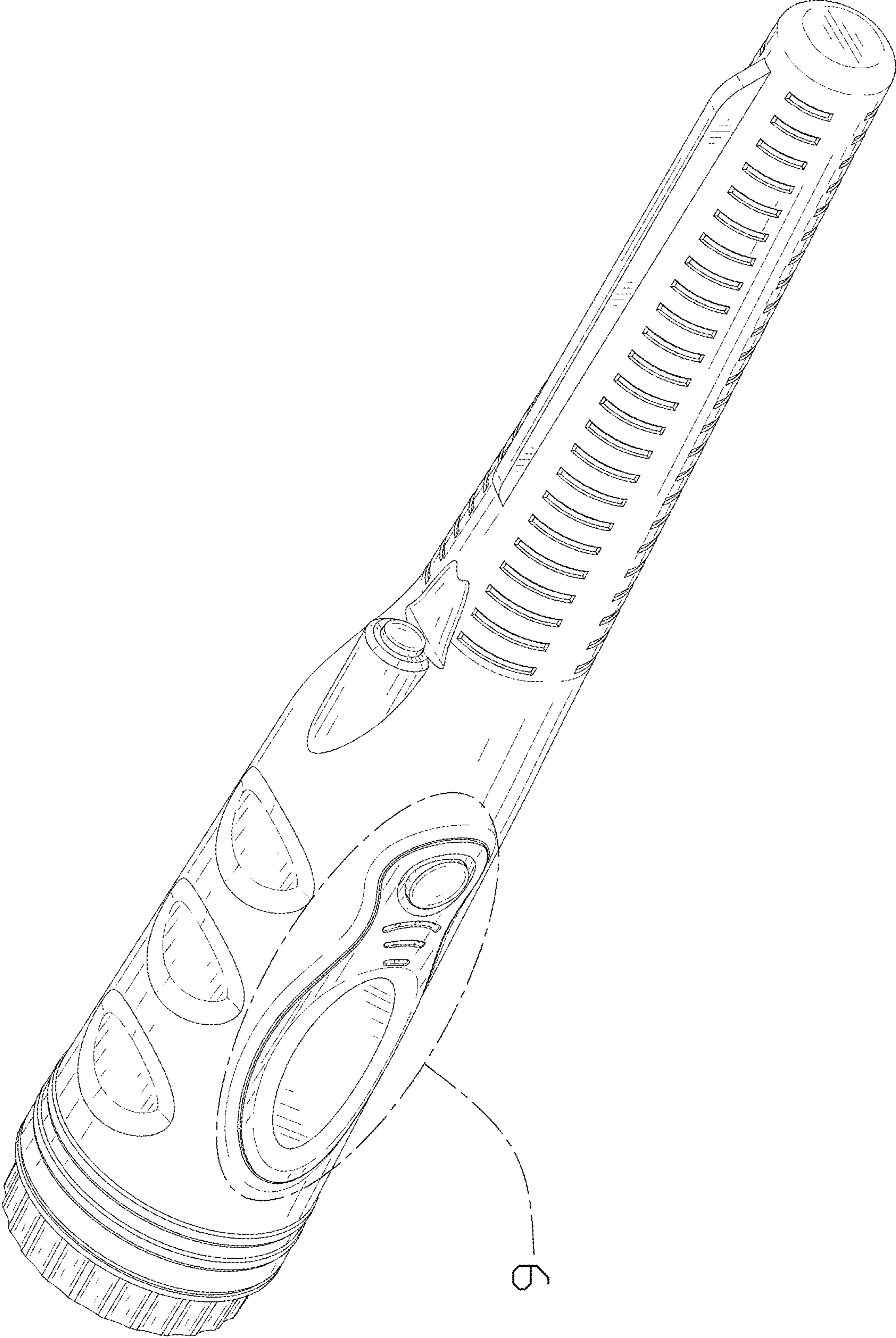


FIG. 1

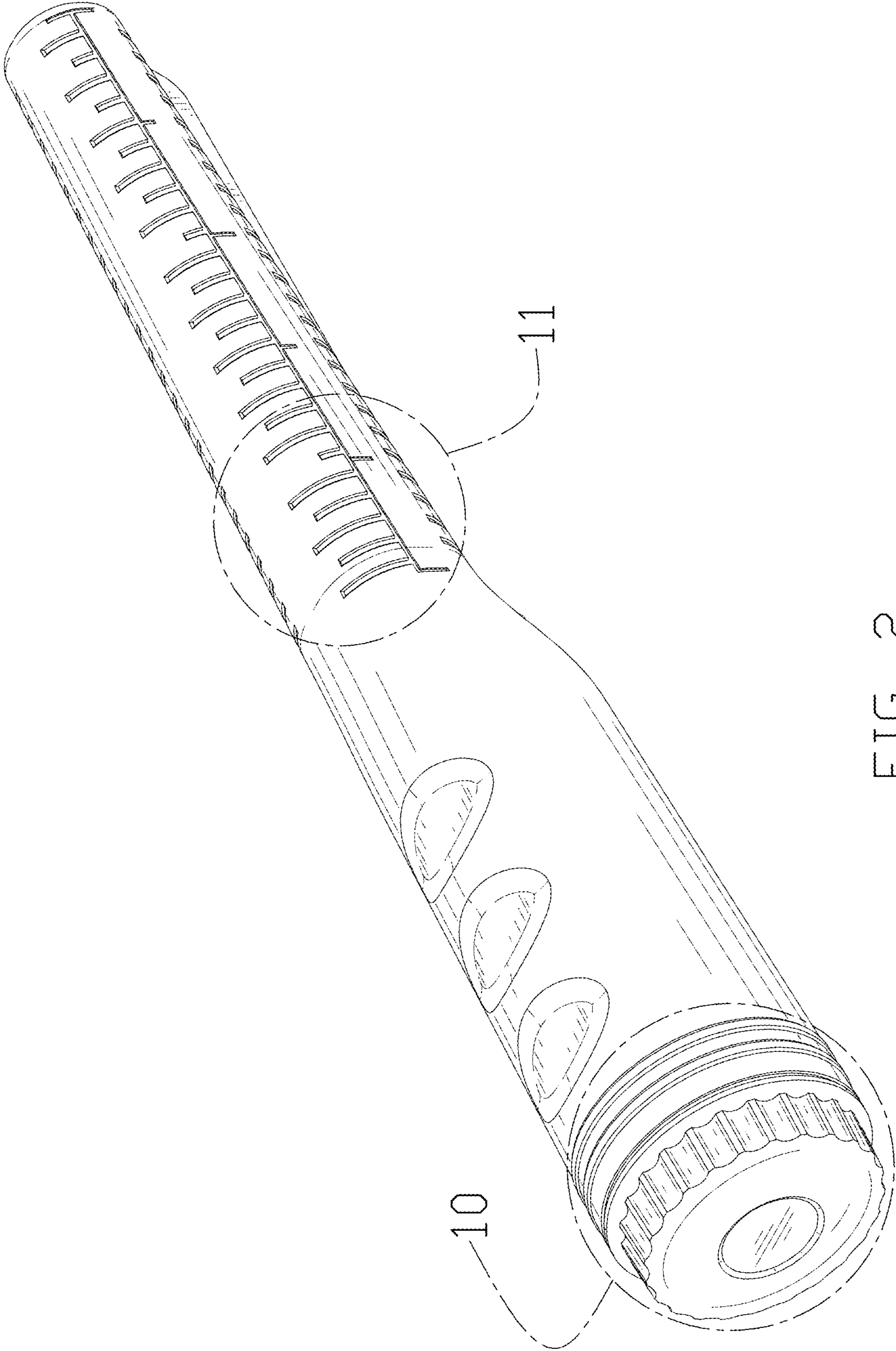


FIG. 2

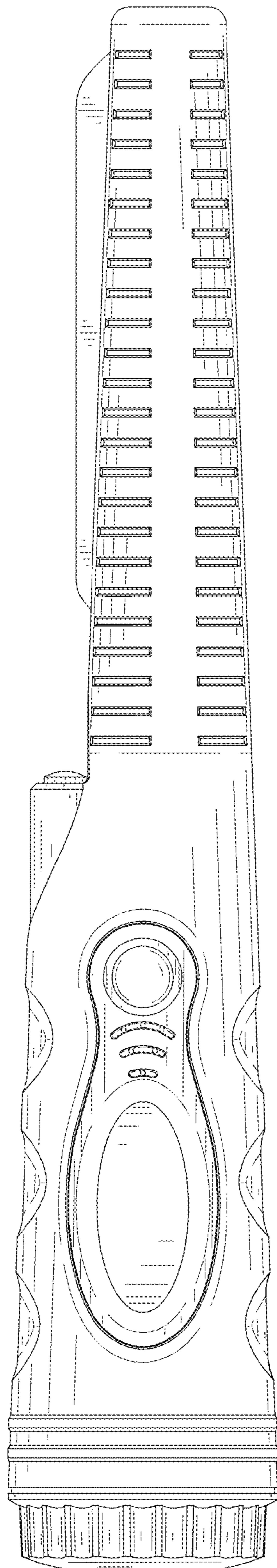


FIG. 3

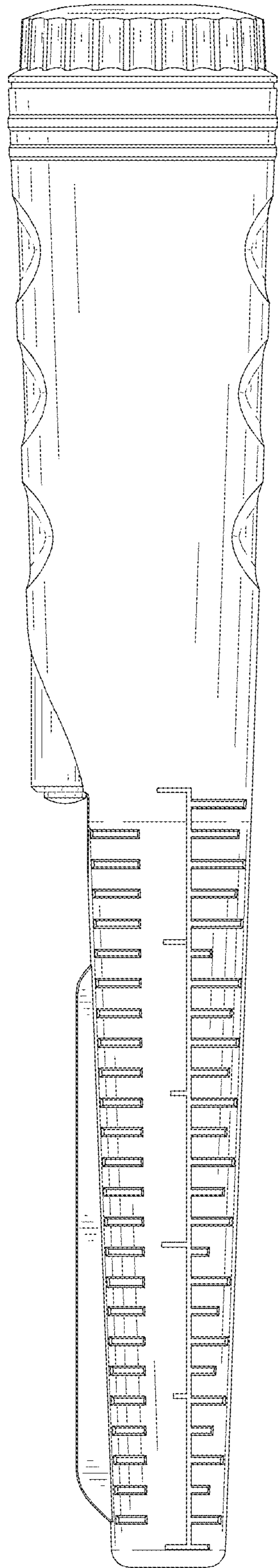


FIG. 4

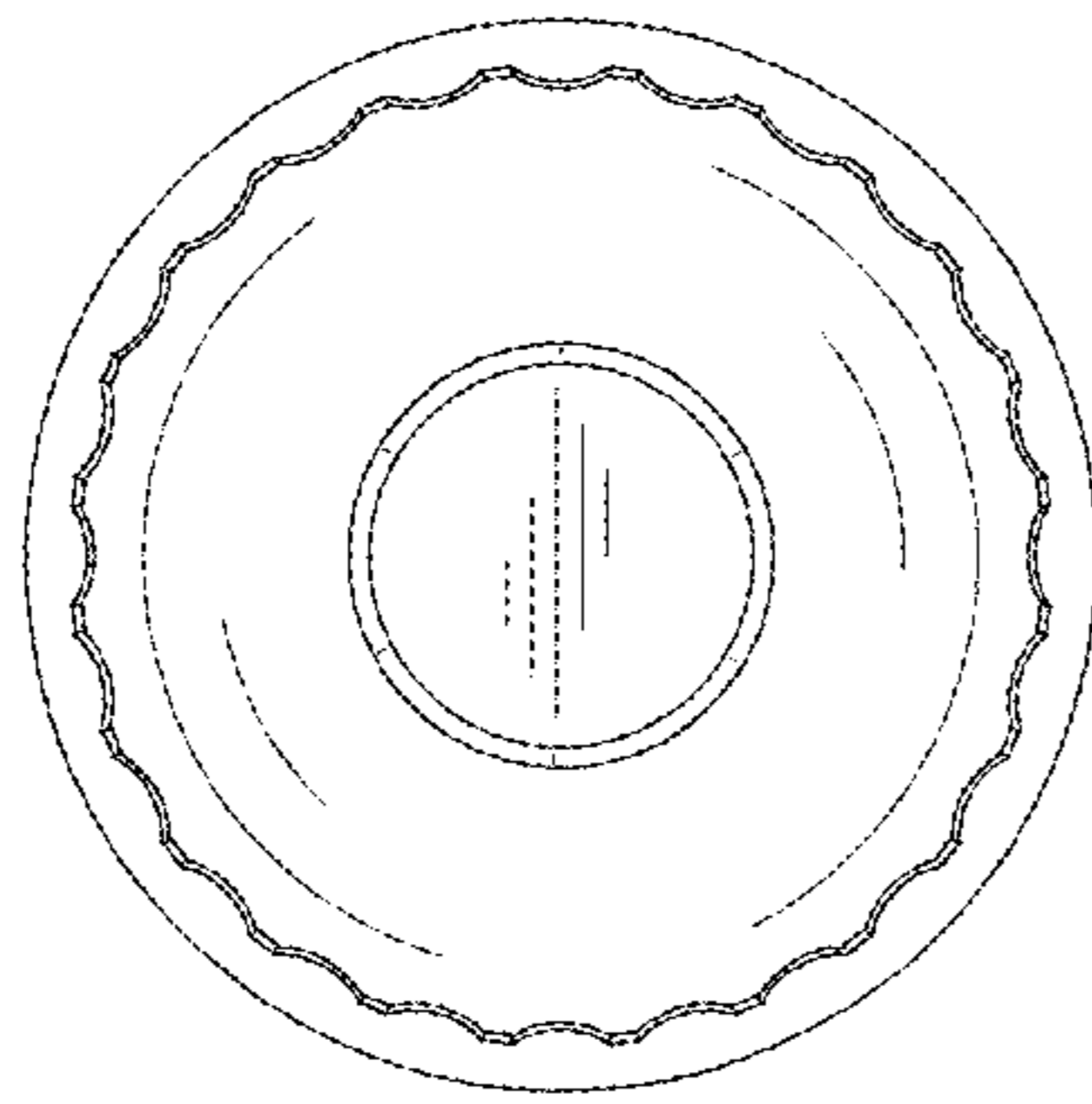


FIG. 5

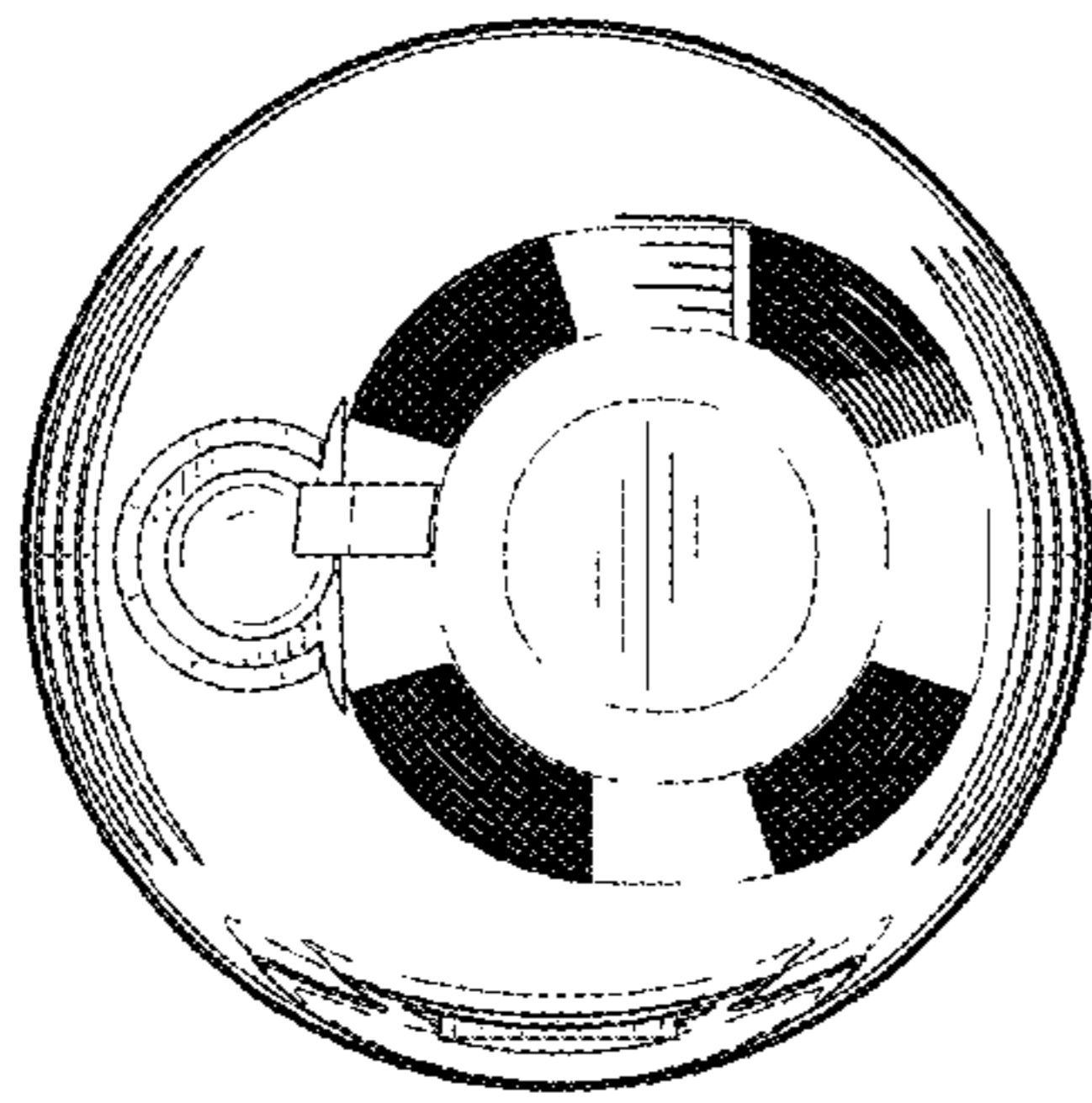


FIG. 6

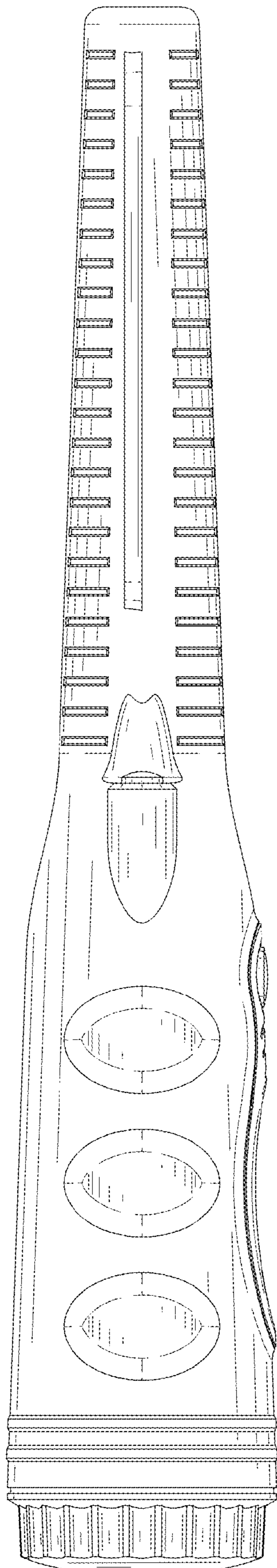


FIG. 7

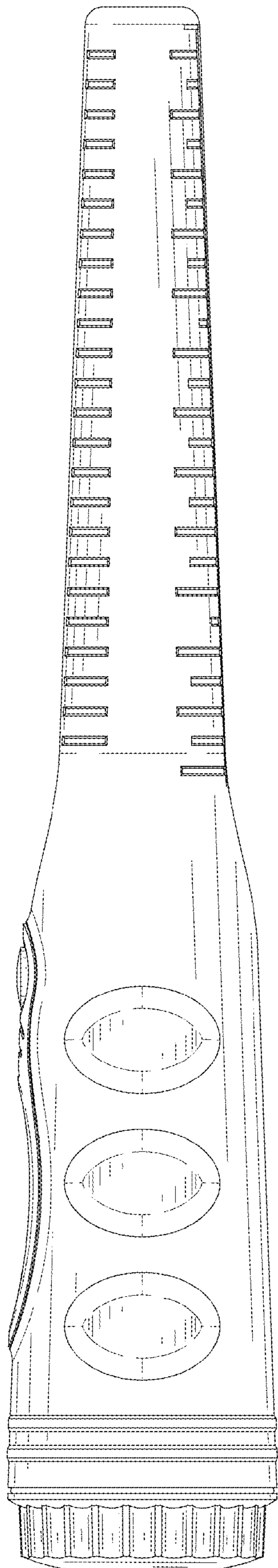


FIG. 8



FIG. 9

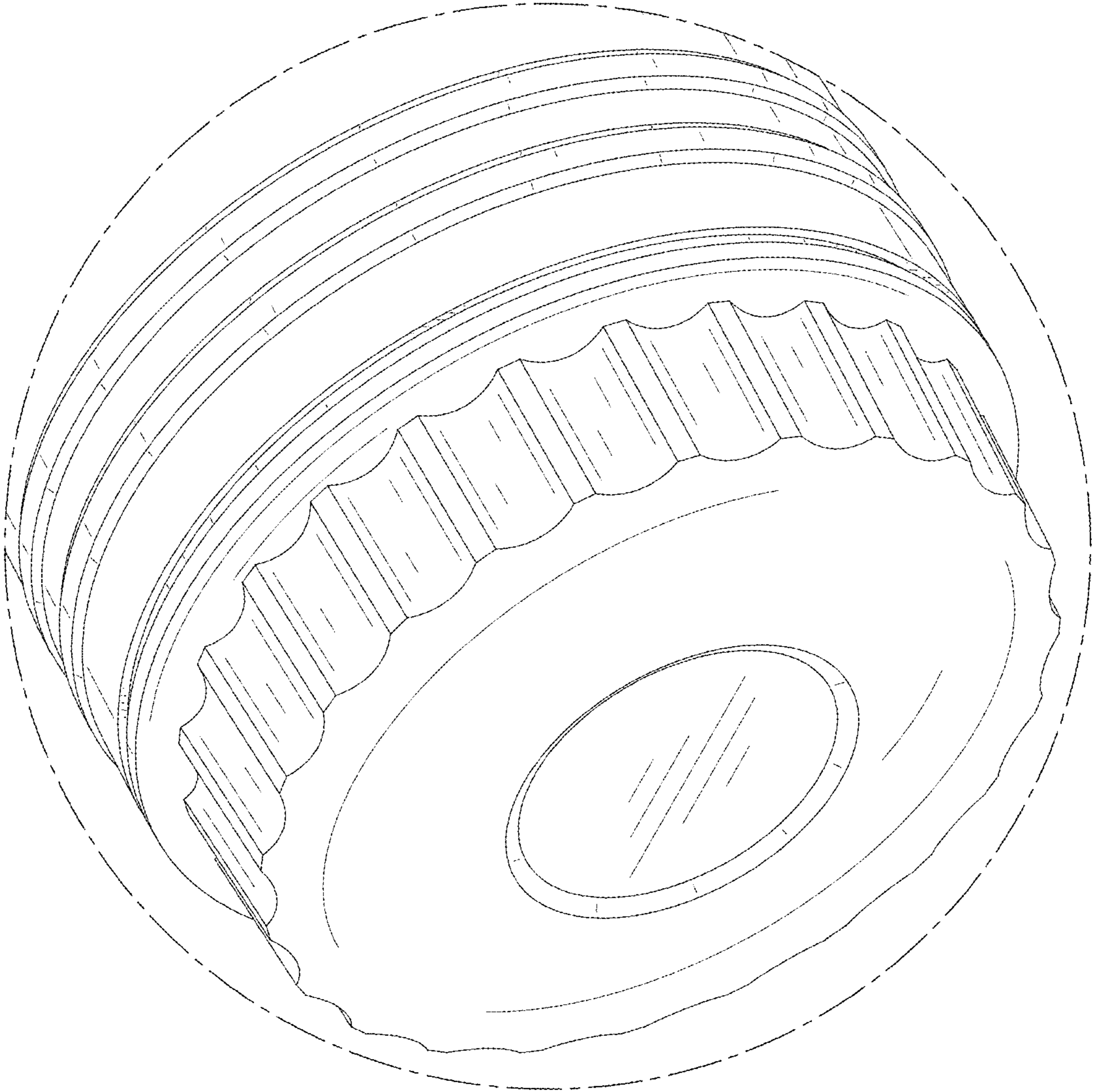


FIG. 10

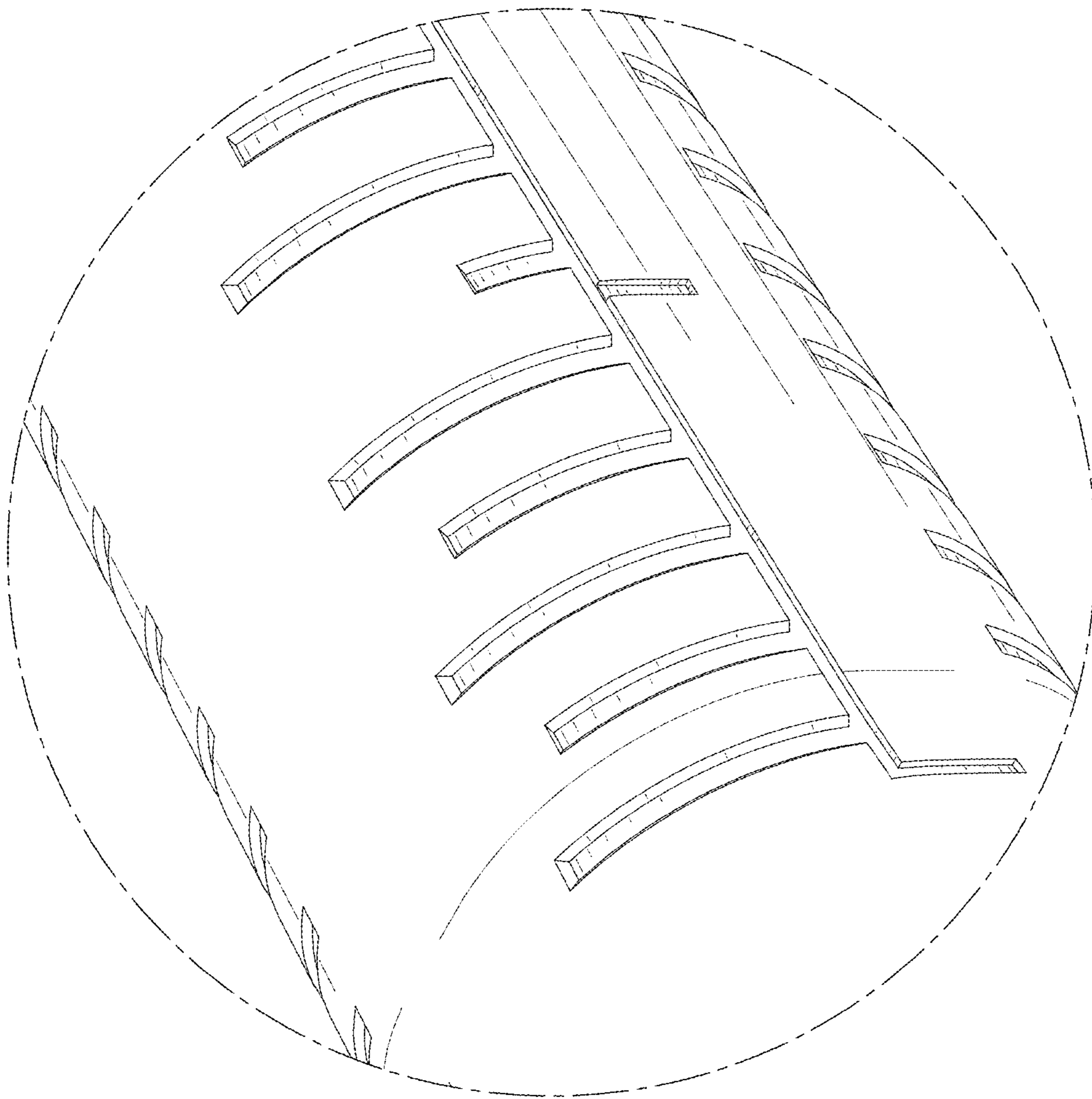


FIG. 11