



US00D959993S

(12) **United States Design Patent** (10) **Patent No.:** **US D959,993 S**
Qin (45) **Date of Patent:** **** Aug. 9, 2022**

(54) **WATCH PROTECTIVE CASE WITH WATCHBAND**

(71) Applicant: **Xiaoming Qin**, Dongguan (CN)

(72) Inventor: **Xiaoming Qin**, Dongguan (CN)

(**) Term: **15 Years**

(21) Appl. No.: **29/800,486**

(22) Filed: **Jul. 21, 2021**

(51) **LOC (13) Cl.** **10-02**

(52) **U.S. Cl.**
USPC **D10/32; D11/3**

(58) **Field of Classification Search**
USPC D10/30, 31, 32, 38, 39, 122, 128, 132;
D11/1, 2, 3, 4, 5, 6, 11, 12, 13, 200, 201
CPC G04B 37/14; A44C 5/00; A44C 5/0007;
A44C 5/0053; A44C 5/0061; A44C
5/0069; A44C 5/0084; A44C 5/18; A44C
5/185; A44C 5/208; A44C 5/2066; A44C
5/2052

See application file for complete search history.

(56) **References Cited**

U.S. PATENT DOCUMENTS

D330,166 S *	10/1992	Park	D10/38
D350,289 S *	9/1994	Frazier	D10/31
D378,807 S	4/1997	Houlihan		
D391,871 S *	3/1998	Brzezinski	D10/32
D439,172 S *	3/2001	Brzezinski	D10/30
D452,008 S *	12/2001	Komulainen	D10/31
D572,151 S *	7/2008	Fasciano	D10/31
D573,485 S *	7/2008	Kuchler	D10/32
D589,373 S *	3/2009	Chen	D10/32
D602,386 S *	10/2009	Ueda	D10/32
D625,204 S *	10/2010	Kimura	D10/32
D637,918 S *	5/2011	Cobbett	D10/31
D654,815 S *	2/2012	Kumano	D10/32
D657,697 S *	4/2012	Lammers-Meis	D10/38
D688,967 S *	9/2013	Wilson	D10/128

D735,586 S *	8/2015	Stegmann	D10/38
D748,994 S	2/2016	Goodman et al.		
D757,819 S *	5/2016	Akana	D14/496
D795,089 S *	8/2017	Wright	D10/32
D799,344 S *	10/2017	Wright	D10/30
D854,960 S *	7/2019	Yu	D11/3
D865,543 S *	11/2019	Lumme	D10/70

(Continued)

FOREIGN PATENT DOCUMENTS

CN	201730486399	*	10/2017	
CN	112107092 A	*	12/2020 A44C 5/00

(Continued)

OTHER PUBLICATIONS

Amazon, Shellbox Case Waterproof Apple Watch case, posted Oct. 12, 2019, [online], [visited May 11, 2022]. Internet, <URL: <https://www.amazon.co.uk/Waterproof-Silicone-Protector-Protective-Case-Black-42-mm/dp/B07Z2356WQ/ref?th=1>> (Year: 2019).*

(Continued)

Primary Examiner — Samantha Wood

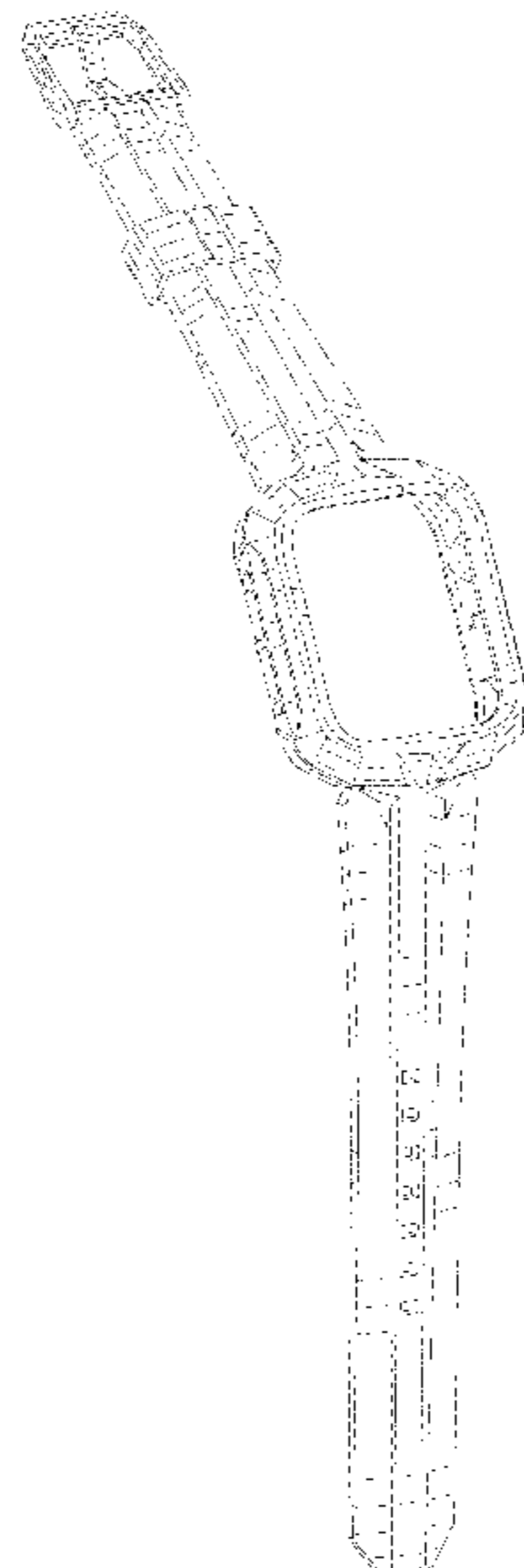
(57) **CLAIM**

The ornamental design for a watch protective case with watchband, as shown and described.

DESCRIPTION

FIG. 1 is a perspective view of a watch protective case with watchband showing my new design;
FIG. 2 is another perspective view thereof;
FIG. 3 is a front view thereof;
FIG. 4 is a rear view thereof;
FIG. 5 is a left side view thereof;
FIG. 6 is a right side view thereof;
FIG. 7 is a top plan view thereof; and,
FIG. 8 is a bottom plan view thereof.

1 Claim, 8 Drawing Sheets



(56)

References Cited

U.S. PATENT DOCUMENTS

D881,060 S * 4/2020 Wang D11/3
 D882,564 S * 4/2020 Jung D14/344
 D885,230 S * 5/2020 Kim D14/440
 D888,710 S * 6/2020 Yun D14/344
 D889,459 S * 7/2020 Zhang D14/344
 D895,471 S * 9/2020 Zhang D11/3
 D897,867 S * 10/2020 Wright D10/32
 D897,882 S * 10/2020 Yi D14/440
 D898,745 S * 10/2020 Ye D14/440
 D920,147 S * 5/2021 Liu D14/440
 D932,321 S * 10/2021 Jung D14/440
 D933,497 S * 10/2021 Panneer Selvam D14/344
 D951,124 S * 5/2022 Deng D10/32

FOREIGN PATENT DOCUMENTS

CN 112315140 A * 2/2021 A44C 5/00
 CN 212437585 U * 2/2021

CN 202130081283.8 * 2/2021
 DE 202019101820 U1 * 6/2019
 EP 2233025 A2 * 9/2010 A44C 5/0053

OTHER PUBLICATIONS

Amazon, AHASTYLE Sport Strap with Shockproof bumper case for Apple Watch, posted Dec. 15, 2020, [online], [visited May 11, 2022]. Internet, <URL: <https://www.amazon.co.uk/AHASTYLE-Shockproof-Bumper-Breathable-Compatible-Black/dp/B08QM8KM4C/ref?th=1>> (Year: 2020).*

Amazon, VeveXiao Compatible with Apple Watch, posted Oct. 15, 2021, [online], [visited May 11, 2022]. Internet, <URL: <https://www.amazon.co.uk/dp/B09JKYZS7P/ref?th=1>> (Year: 2021).*

Amazon, Tasikar Straps Compatible with Apple Watch, posted May 7, 2020, [online], [visited May 11, 2022]. Internet, <URL: <https://www.amazon.co.uk/dp/B08881PBQ6/ref?th=1>> (Year: 2020).*

* cited by examiner

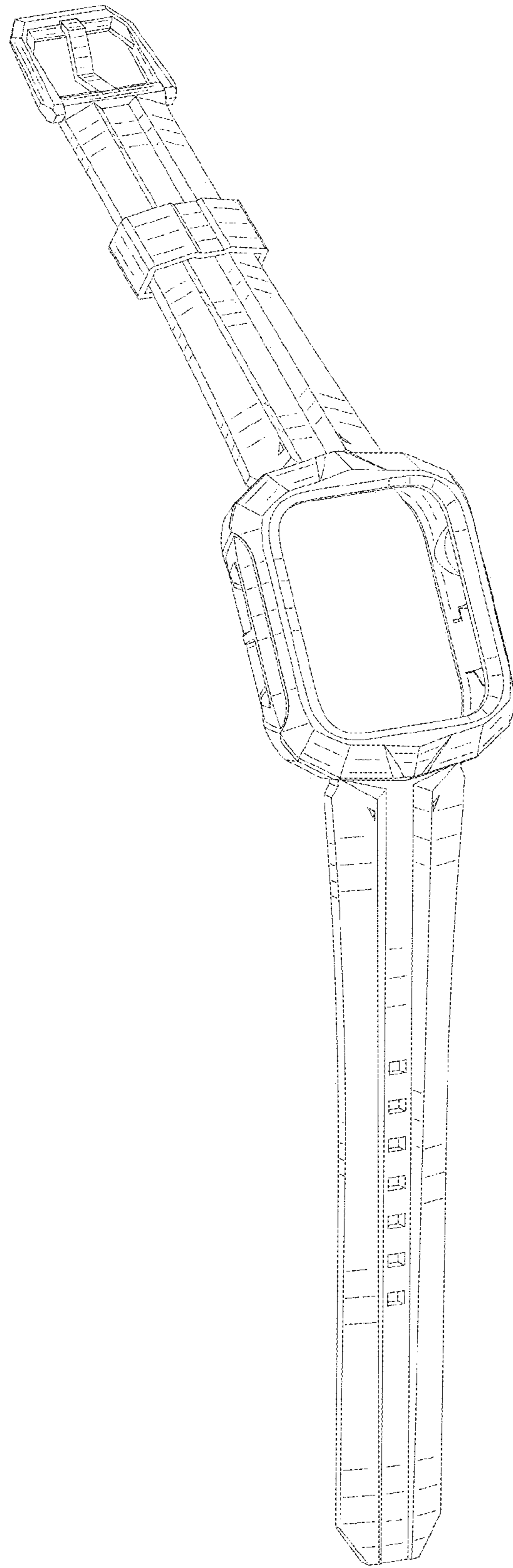


FIG. 1

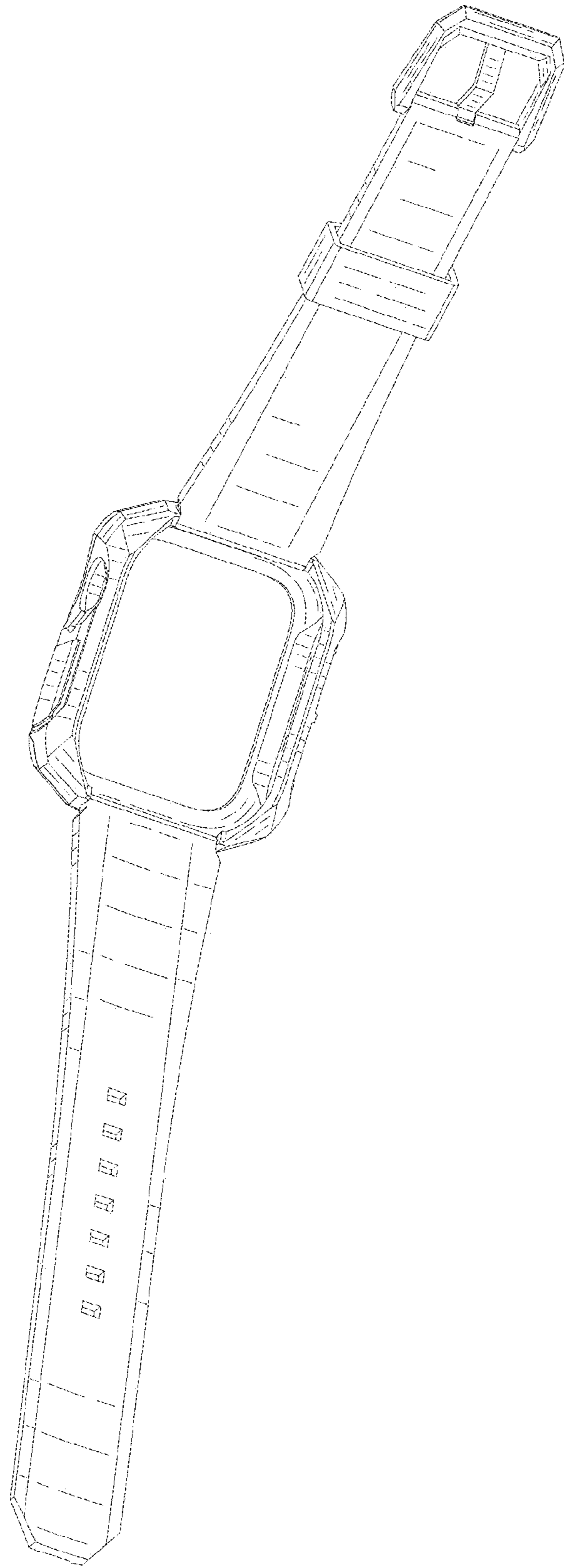


FIG. 2

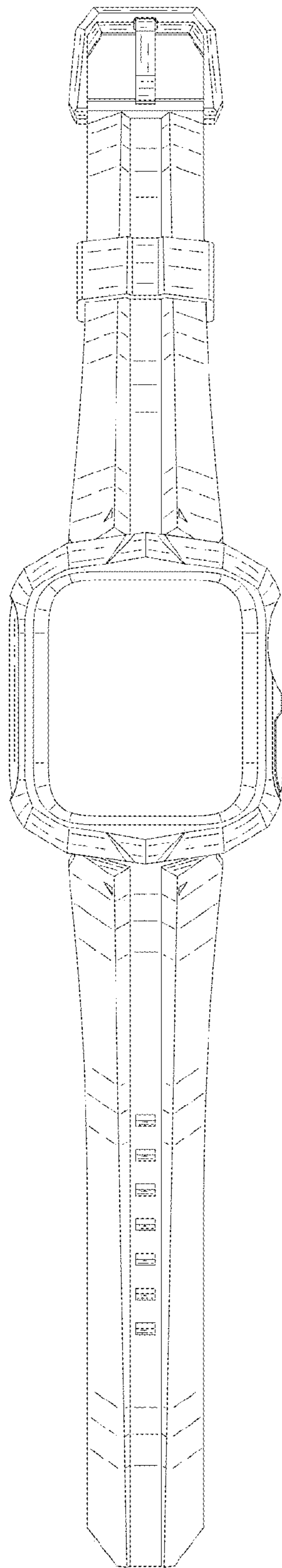


FIG. 3

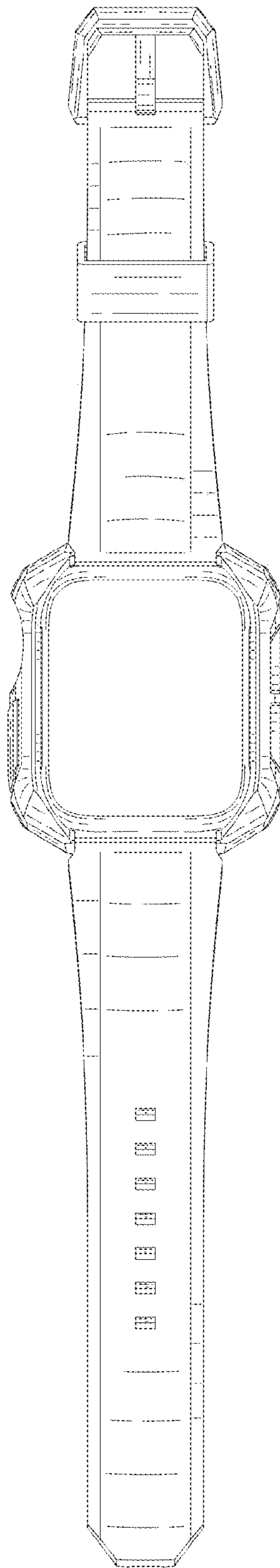


FIG. 4

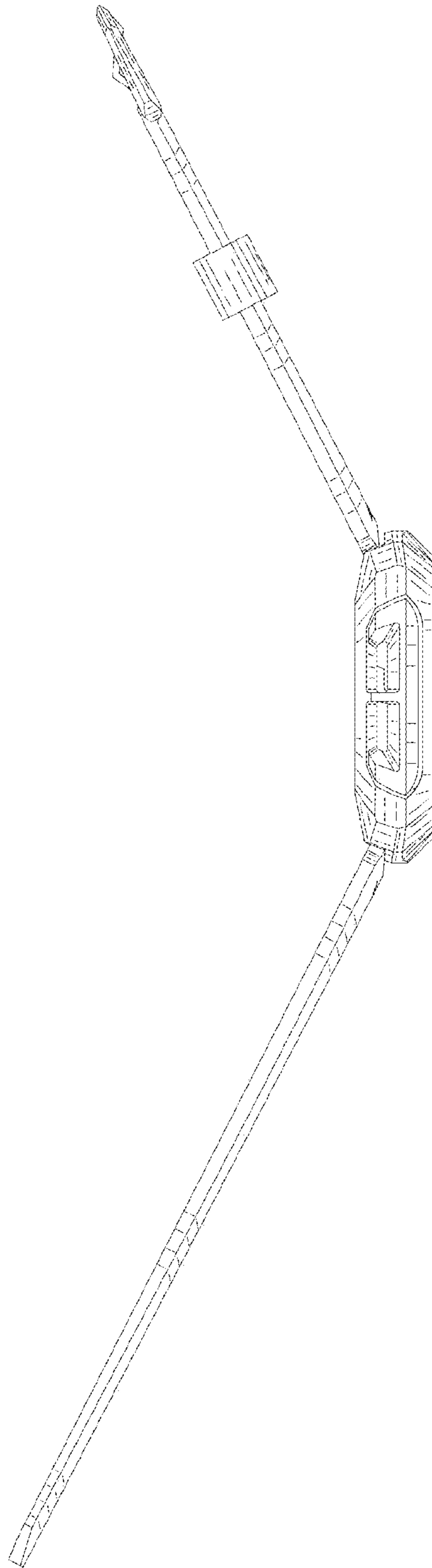


FIG. 5

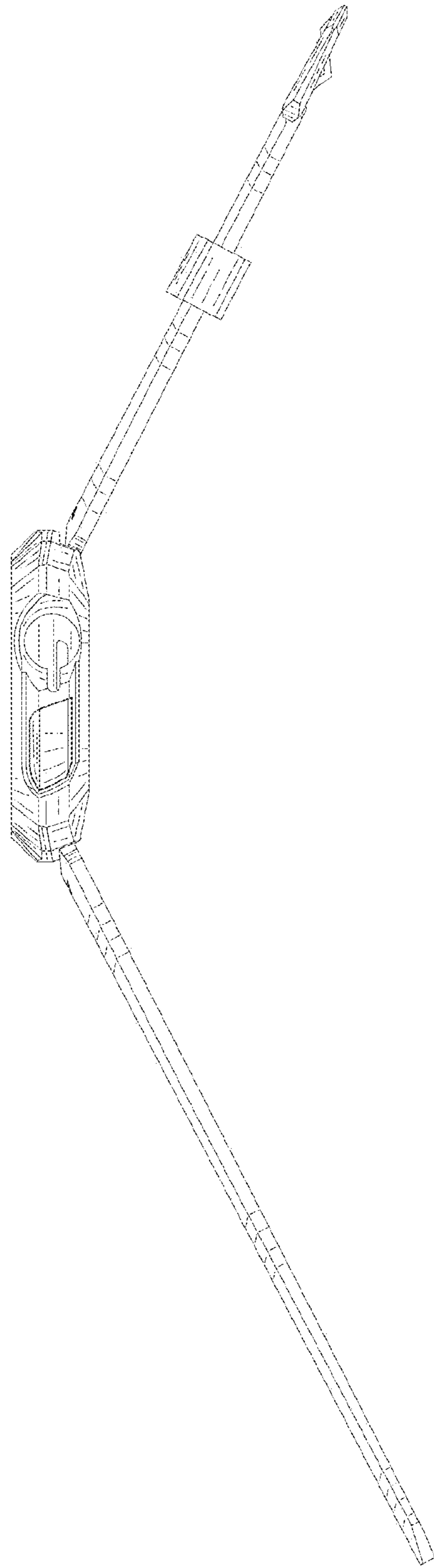


FIG. 6

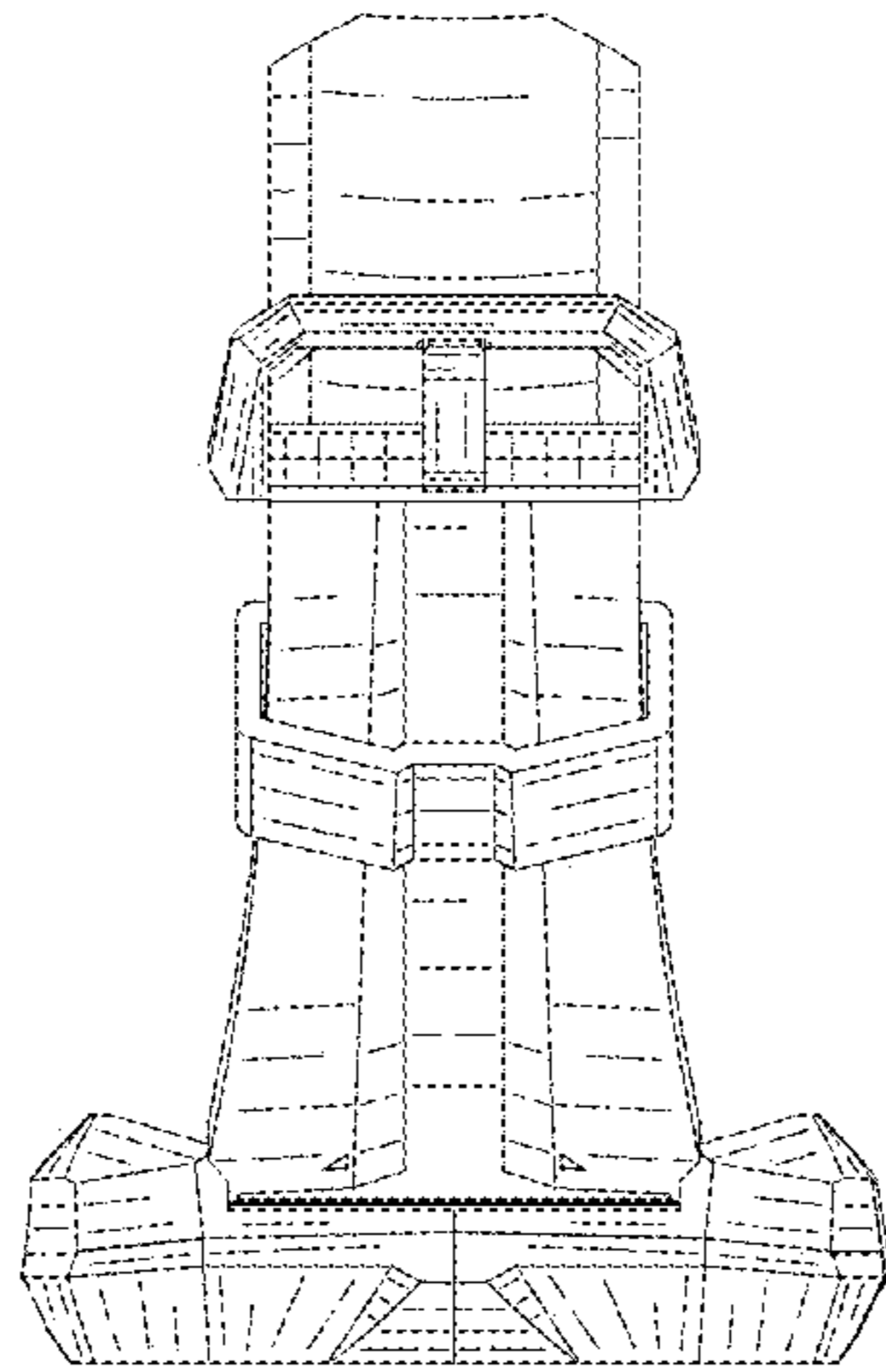


FIG. 7

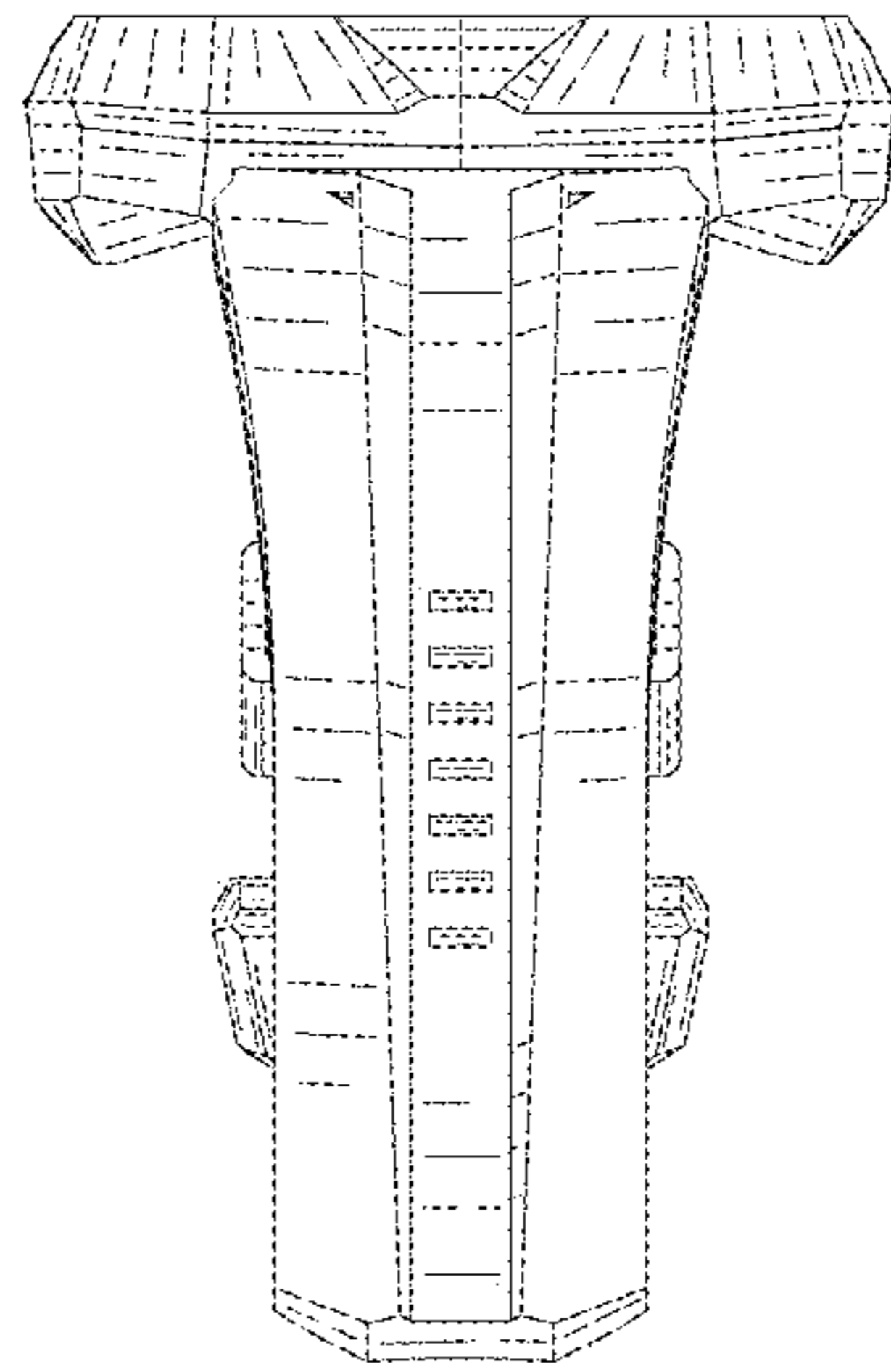


FIG. 8