



US00D95992S

(12) **United States Design Patent** (10) **Patent No.:** **US D959,992 S**
Luo (45) **Date of Patent:** **** Aug. 9, 2022**

(54) **CLOCK**

(71) Applicant: **Shenzhen Shuo Yu Technology co., LTD, Shenzhen (CN)**

(72) Inventor: **Yonglin Luo, Dongguan (CN)**

(**) Term: **15 Years**

(21) Appl. No.: **29/779,403**

(22) Filed: **Apr. 19, 2021**

(30) **Foreign Application Priority Data**

Dec. 25, 2020 (CN) 202030805077.2

(51) **LOC (13) Cl.** **10-01**

(52) **U.S. Cl.**
USPC **D10/15; D14/171; D13/108**

(58) **Field of Classification Search**
USPC D10/1-7, 15, 21-29, 40-41;
D14/170-172, 203.1, 204; D13/108
CPC G04G 13/00; G04G 13/02; G04G 13/021;
G04G 13/028; G04G 17/00; G04G 17/08;
G04G 17/086
See application file for complete search history.

(56) **References Cited**

U.S. PATENT DOCUMENTS

D250,763 S *	1/1979	Boldt	D10/2
D311,691 S *	10/1990	Krolopp	D10/15
D315,734 S *	3/1991	Shimasaki	D10/2
D346,965 S *	5/1994	Wolff	D10/1
D348,842 S *	7/1994	Olivadoti	D10/125
D414,119 S *	9/1999	Hargrove, III	D10/15
D437,788 S	2/2001	Palmos		
D452,166 S *	12/2001	Sato	D10/15
D467,508 S *	12/2002	Kwok	D10/15
D545,692 S *	7/2007	Bhavnani	D10/15
D551,092 S *	9/2007	Sakamoto	D10/1
D552,357 S *	10/2007	Fu	D10/2
D564,365 S *	3/2008	Chang	D10/2

D585,306 S *	1/2009	Oas	D10/15
D651,812 S *	1/2012	Lee	D6/300
D654,381 S	2/2012	Petersen		
D744,862 S *	12/2015	Funk	D10/1
D760,094 S *	6/2016	Funk	D10/1
D881,022 S *	4/2020	Long	D10/2
D895,441 S *	9/2020	Yu	D10/2
D920,133 S *	5/2021	Jackson	D10/3
D936,571 S *	11/2021	Long	D13/108

FOREIGN PATENT DOCUMENTS

EM 008498455-001 * 4/2021

OTHER PUBLICATIONS

Temperature Calendar Qi Wireless Charger with Electric LED Alarm Clock | globalsources.com; no posting date [online], © 2021 Publishers Representatives Limited [retrieved Jan. 9, 2022] from Internet: <<https://www.globalsources.com/Promotional-wireless/QI-fast-wireless-charging-1186424601p.htm>> (Year: 2022).*

* cited by examiner

Primary Examiner — Katherine Glennon

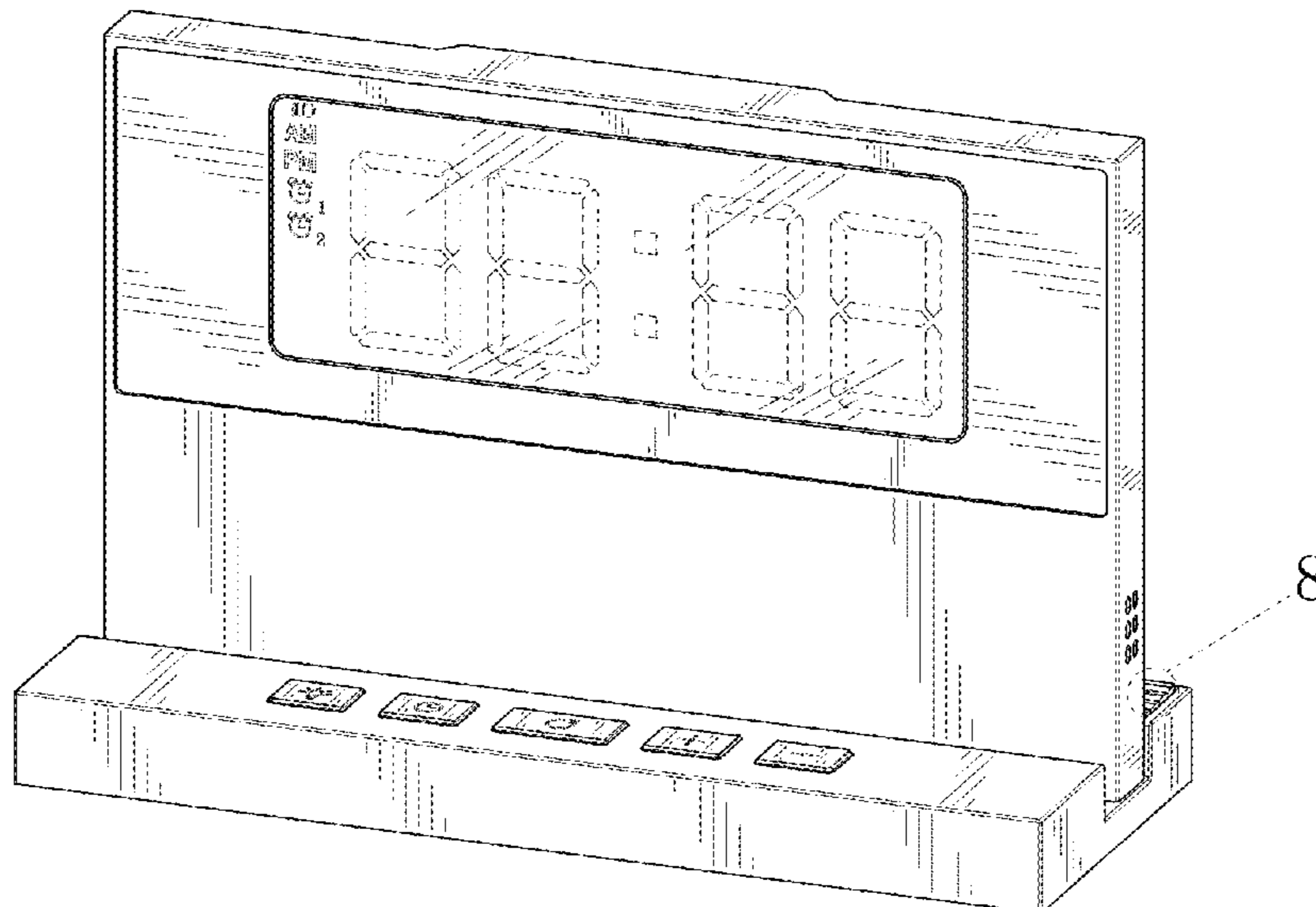
(57) **CLAIM**

The ornamental design for a clock, as shown and described.

DESCRIPTION

FIG. 1 is a perspective view of a clock showing my new design;
FIG. 2 is a front view thereof;
FIG. 3 is a rear view thereof;
FIG. 4 is a left side view thereof;
FIG. 5 is a right side view thereof;
FIG. 6 is a top plan view thereof;
FIG. 7 is a bottom plan view thereof; and,
FIG. 8 is an enlarged view of portion 8 shown in FIG. 1.
The broken lines in the drawings depict portions of the clock that form no part of the claimed design.

1 Claim, 8 Drawing Sheets



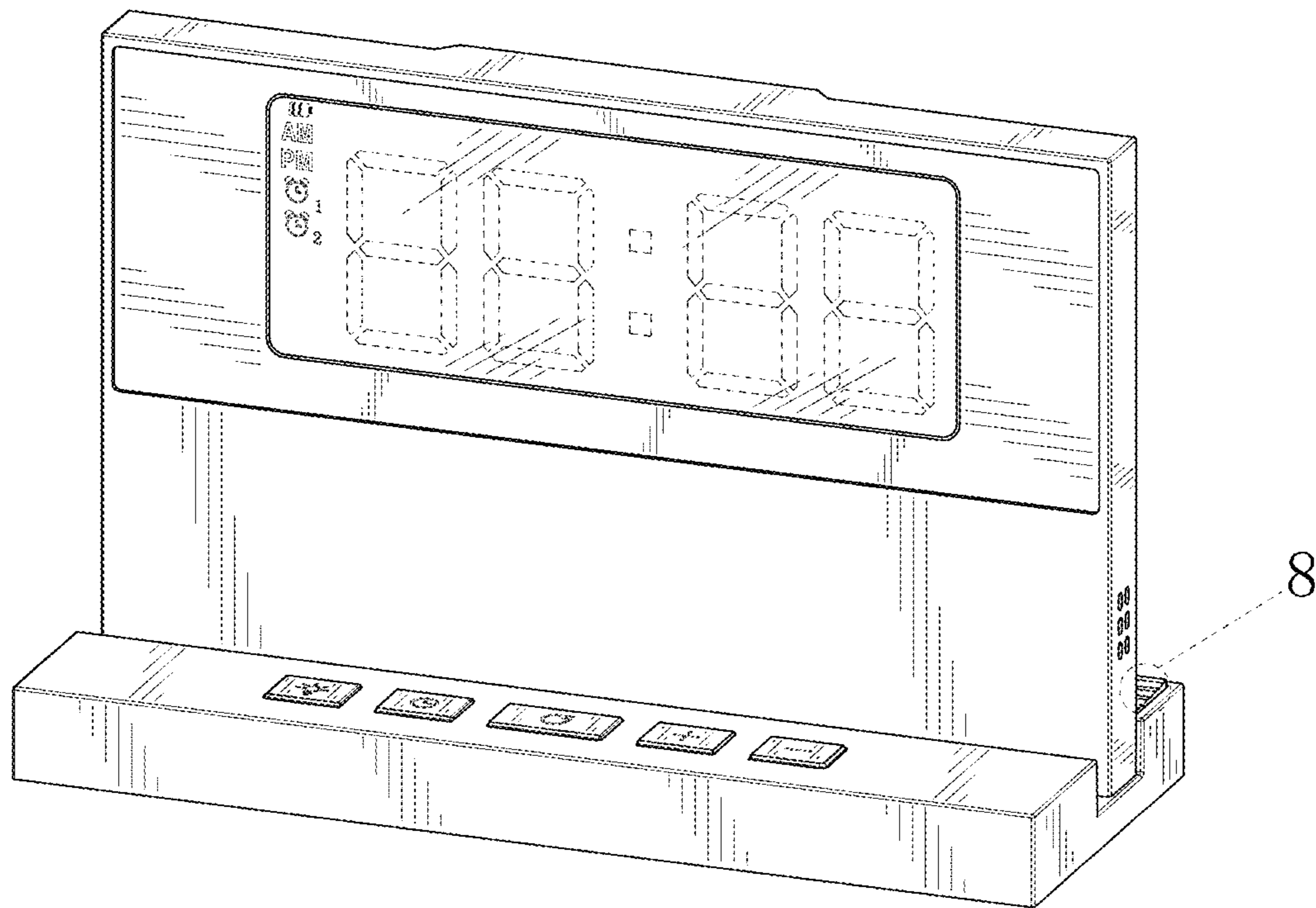


FIG. 1

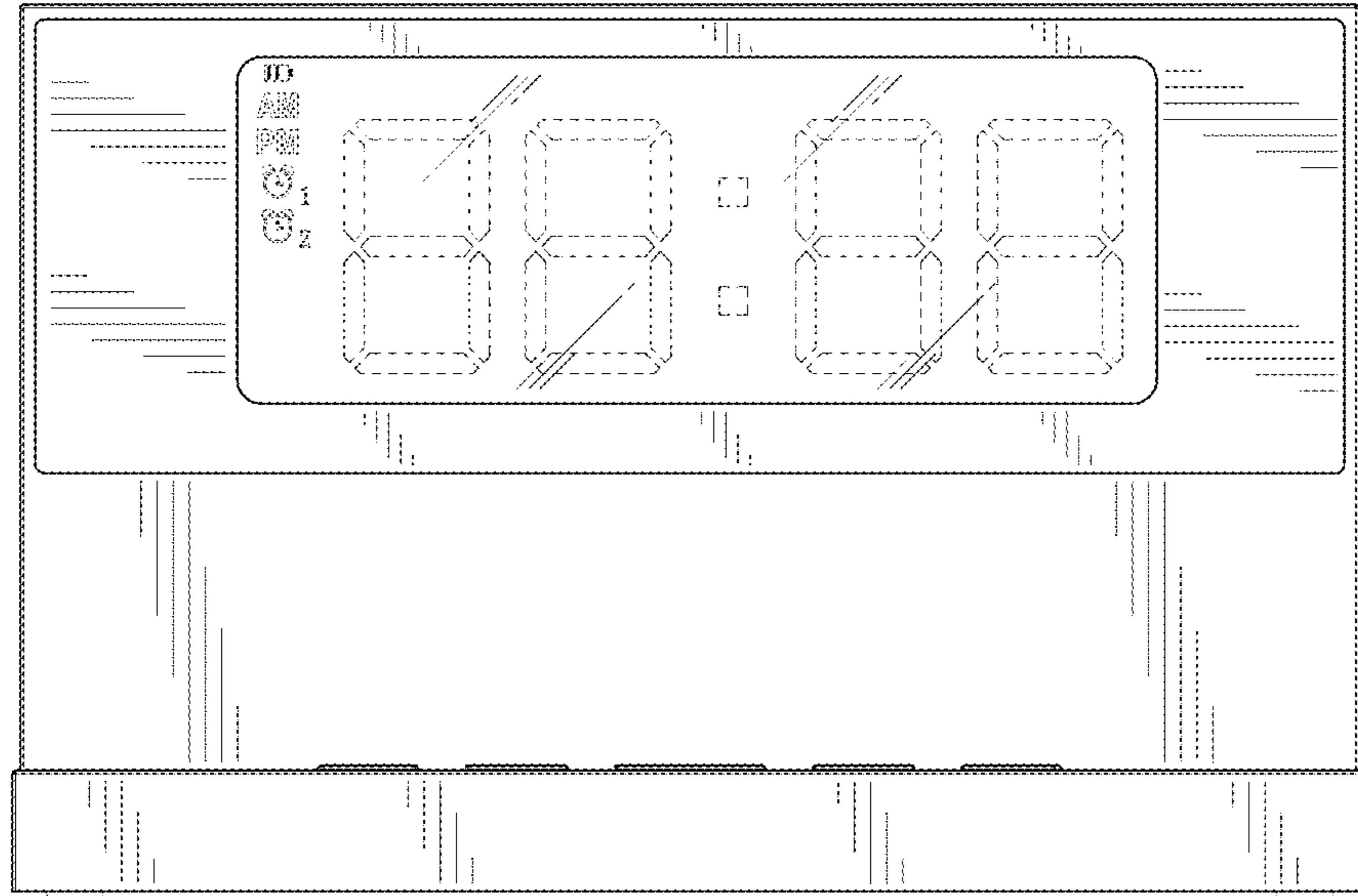


FIG. 2

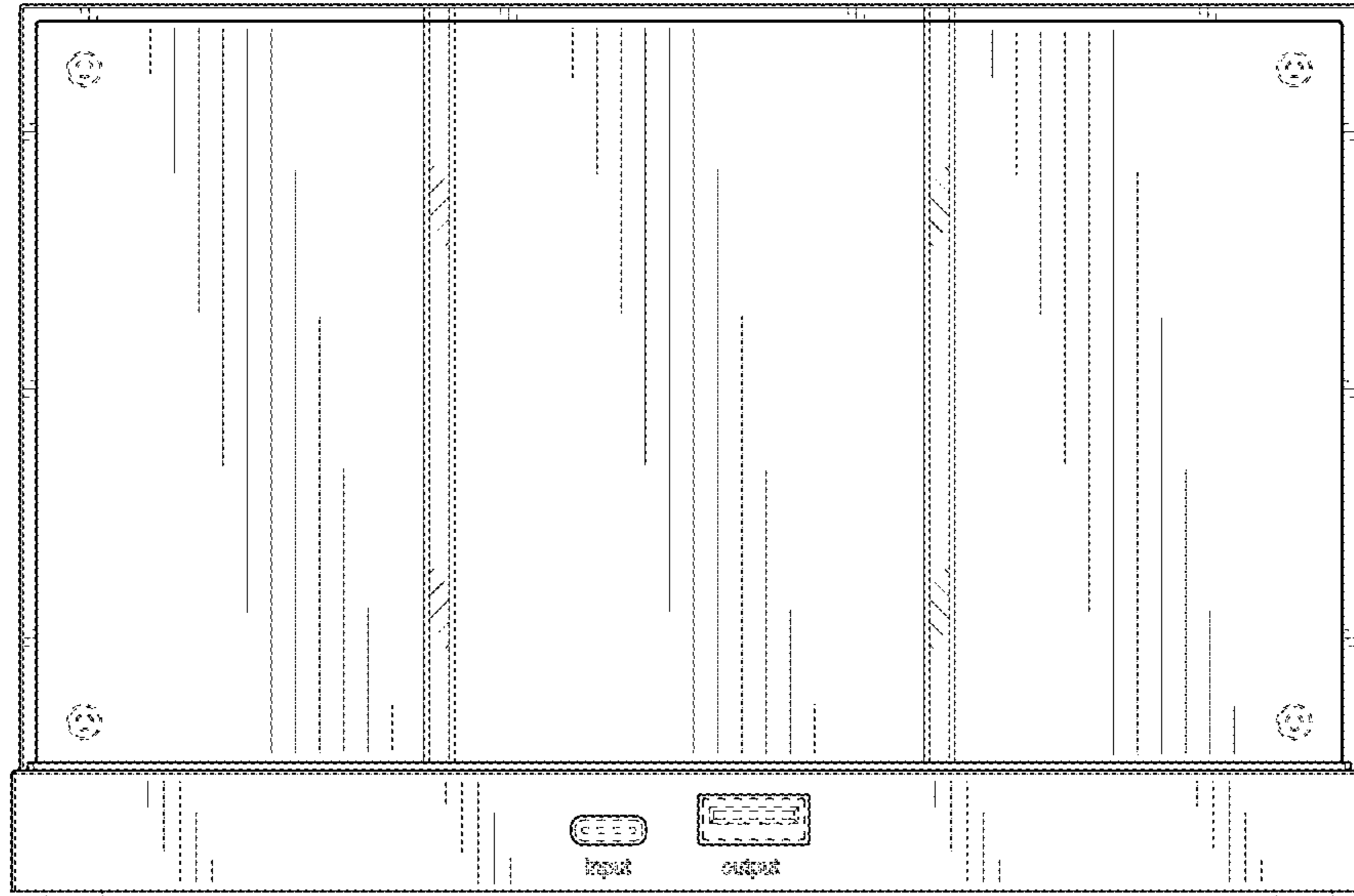


FIG. 3

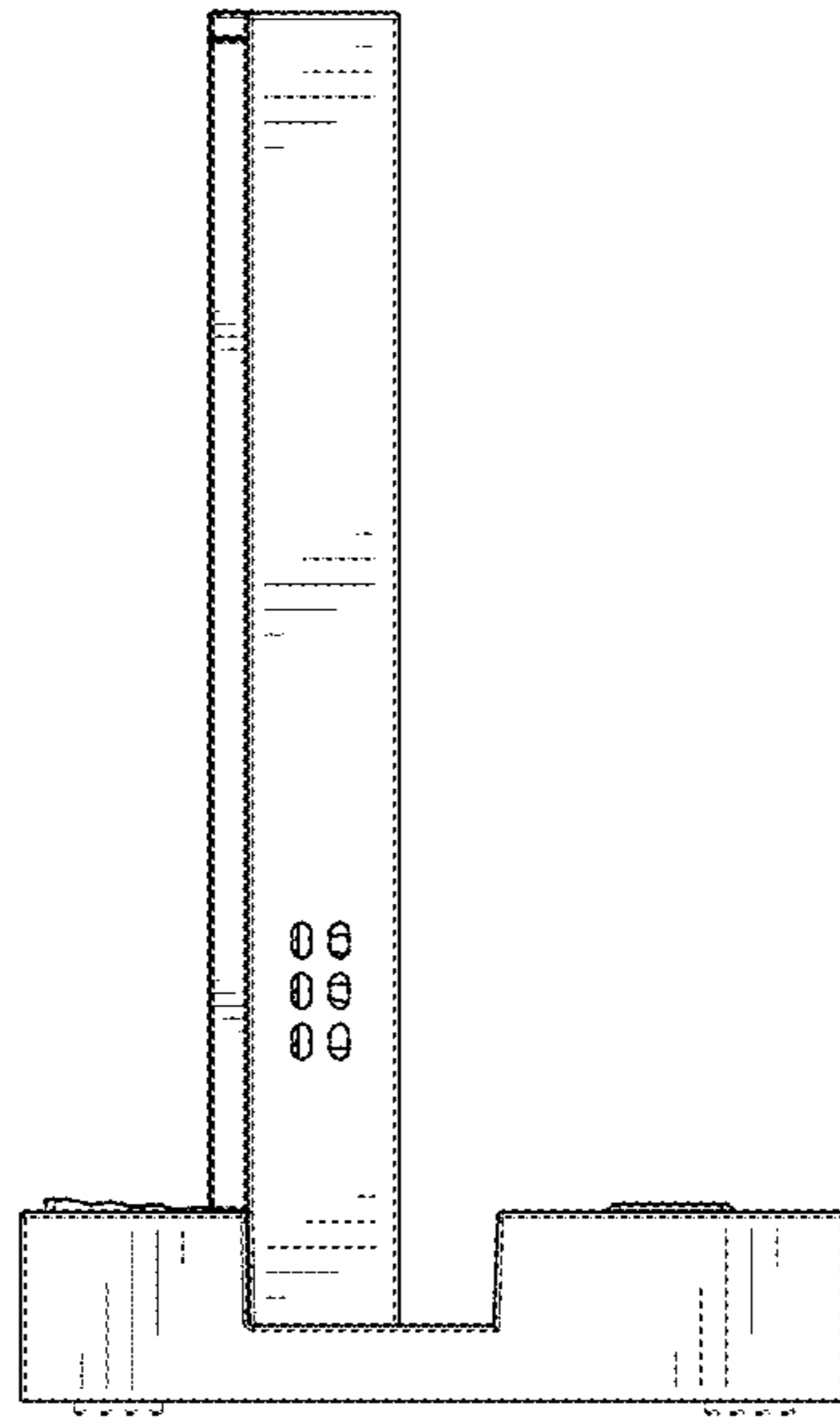


FIG. 4

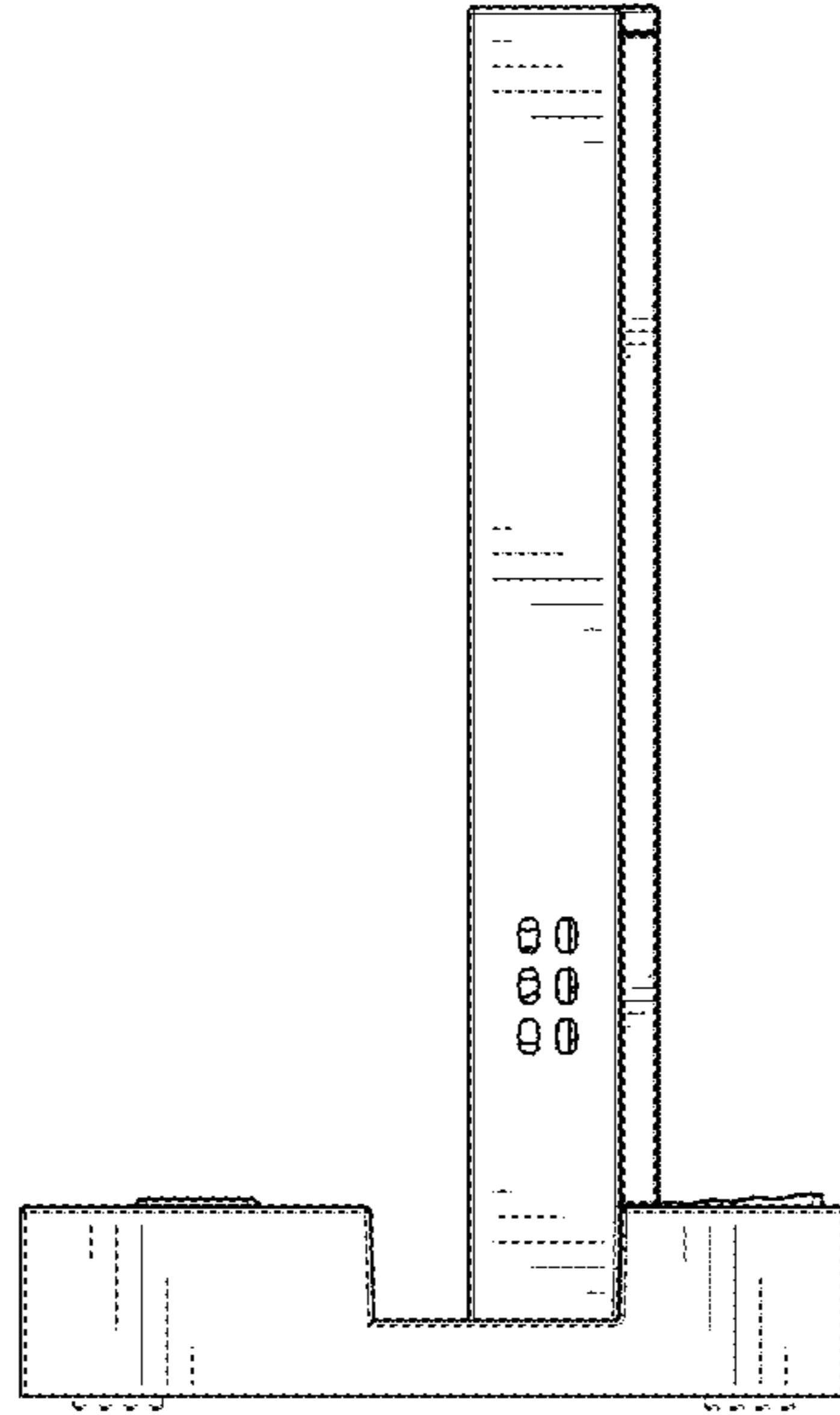


FIG. 5

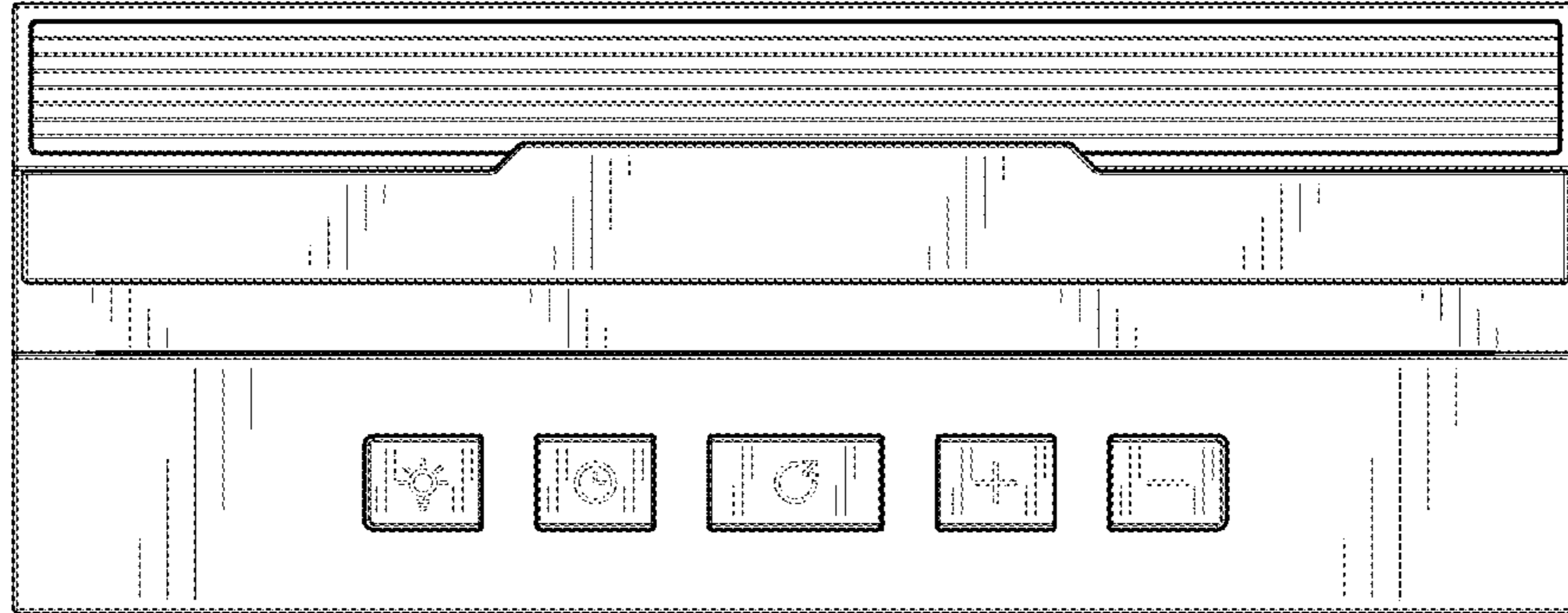


FIG. 6

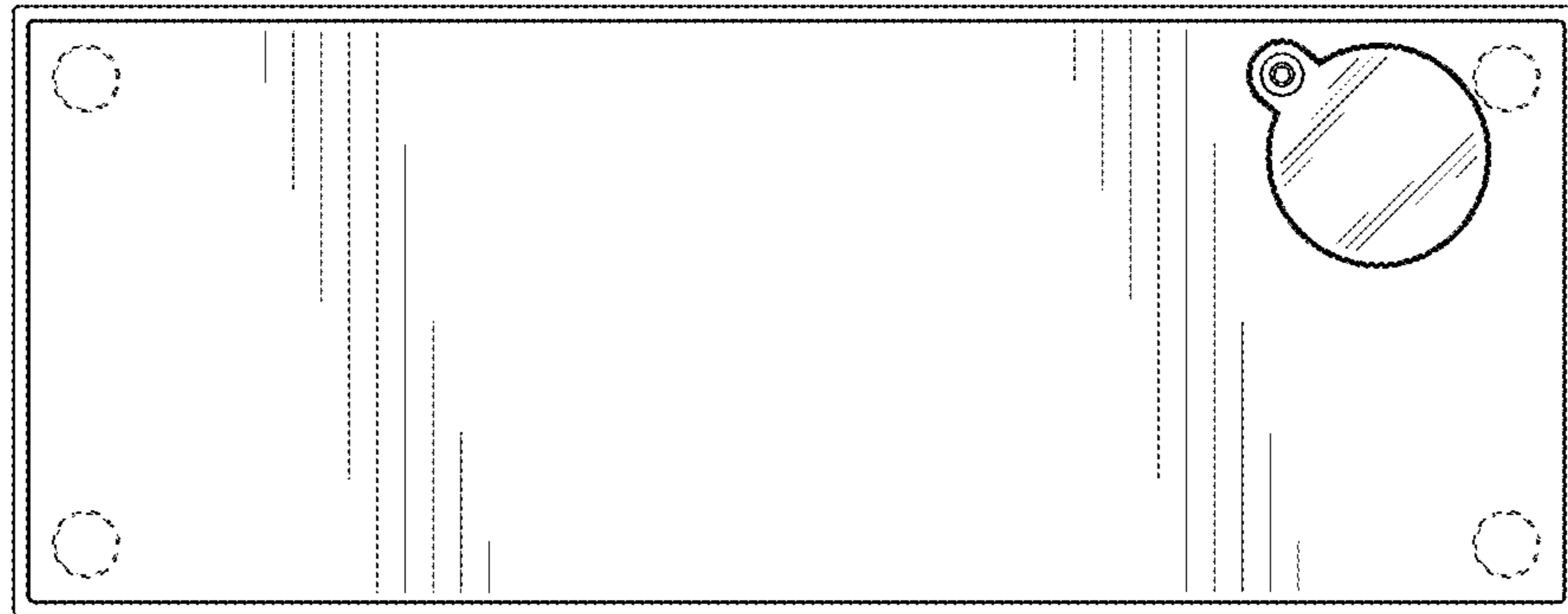


FIG. 7

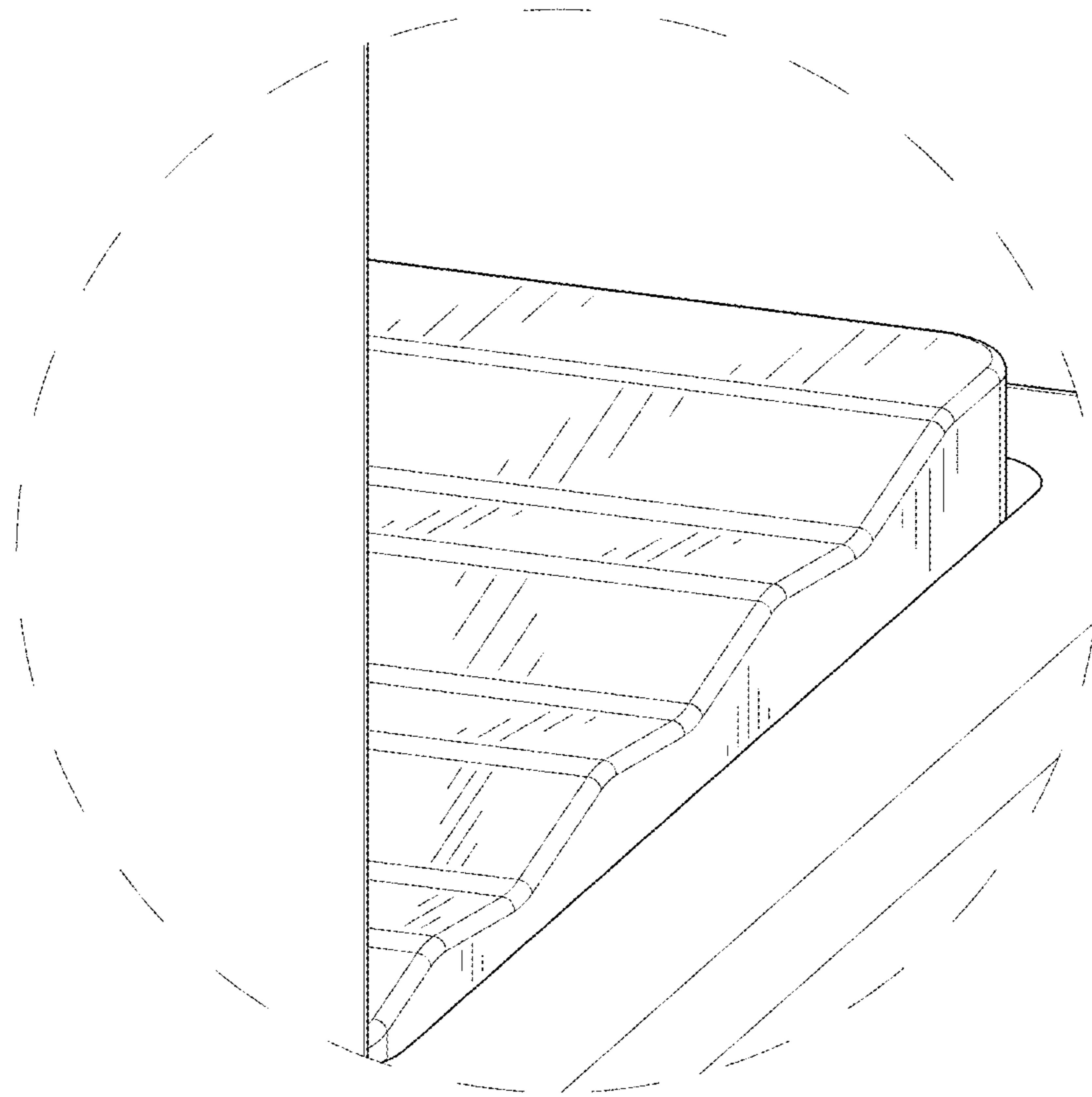


FIG. 8