



US00D959991S

(12) **United States Design Patent**
Li

(10) **Patent No.:** **US D959,991 S**

(45) **Date of Patent:** **** Aug. 9, 2022**

(54) **CLOCK**

(71) Applicant: **SHENZHEN QIANHAI PATUOXUN NETWORK AND TECHNOLOGY CO., LTD.**, Shenzhen (CN)

(72) Inventor: **Qi Li**, Shenzhen (CN)

(73) Assignee: **SHENZHEN QIANHAI PATUOXUN NETWORK AND TECHNOLOGY CO., LTD.**, Shenzhen (CN)

(**) Term: **15 Years**

(21) Appl. No.: **29/765,253**

(22) Filed: **Jan. 7, 2021**

(51) **LOC (13) Cl.** **10-01**

(52) **U.S. Cl.**

USPC **D10/15**; D14/171; D10/5

(58) **Field of Classification Search**

USPC D10/1-6, 14-15, 24, 29; D14/171-172, D14/203.1; D24/231

CPC G04G 13/02; G04G 13/022; G04G 13/023; G04G 13/025; G04G 13/026; G04G 13/028; G04G 17/086; G04G 21/08

See application file for complete search history.

(56) **References Cited**

U.S. PATENT DOCUMENTS

D239,464 S *	4/1976	Imai	D10/15
D380,757 S *	7/1997	Mak	D14/171
D481,958 S *	11/2003	Kibiloski	D10/15
D514,546 S *	2/2006	Chan	D14/171
D583,360 S *	12/2008	Gredler	D10/2
D612,268 S *	3/2010	Sadler	D10/15
D820,114 S *	6/2018	Hu	D10/15
D852,772 S *	7/2019	Zhang	D10/15
D853,860 S *	7/2019	Bai	D10/2
D881,023 S *	4/2020	Hu	D10/15

D885,203 S *	5/2020	Chen	D10/15
D912,531 S *	3/2021	Yu	D10/15
D914,519 S *	3/2021	Yu	D10/15
D915,222 S *	4/2021	Yu	D10/15
D927,322 S *	8/2021	Zou	D10/15
D941,796 S *	1/2022	Zheng	D10/15
2007/0217290 A1 *	9/2007	Rock	H05B 47/16 368/12

FOREIGN PATENT DOCUMENTS

CN 202130009651.8 * 1/2021

OTHER PUBLICATIONS

Mpow Alarm Night Light | youtube.com; posted by KiKichen Dec. 23, 2019 [online]. retrieved Apr. 1, 2022] from Internet: <https://www.youtube.com/watch?v=bAYimVWK8-U> (Year: 2019).*

* cited by examiner

Primary Examiner — Katherine Glennon

(57) **CLAIM**

The ornamental design for a clock, as shown and described.

DESCRIPTION

FIG. 1 is a perspective view of a clock showing my new design;

FIG. 2 is another perspective view thereof;

FIG. 3 is a front elevational view thereof;

FIG. 4 is a rear elevational view thereof;

FIG. 5 is a left side elevational view thereof;

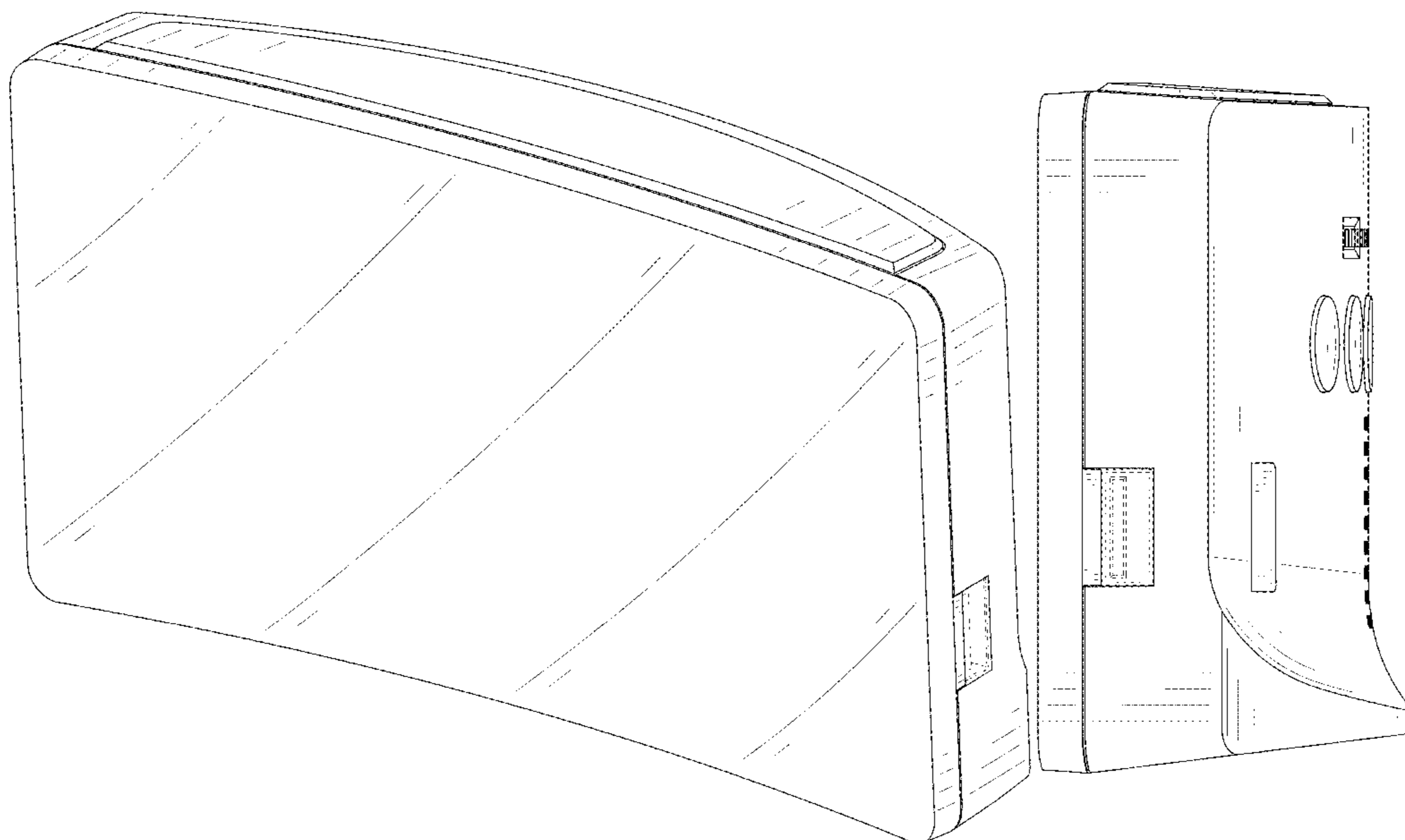
FIG. 6 is a right side elevational view thereof;

FIG. 7 is a top plan view thereof; and,

FIG. 8 is a bottom plan view thereof.

The broken lines in the drawings depict portions of the clock that form no part of the claimed design.

1 Claim, 8 Drawing Sheets



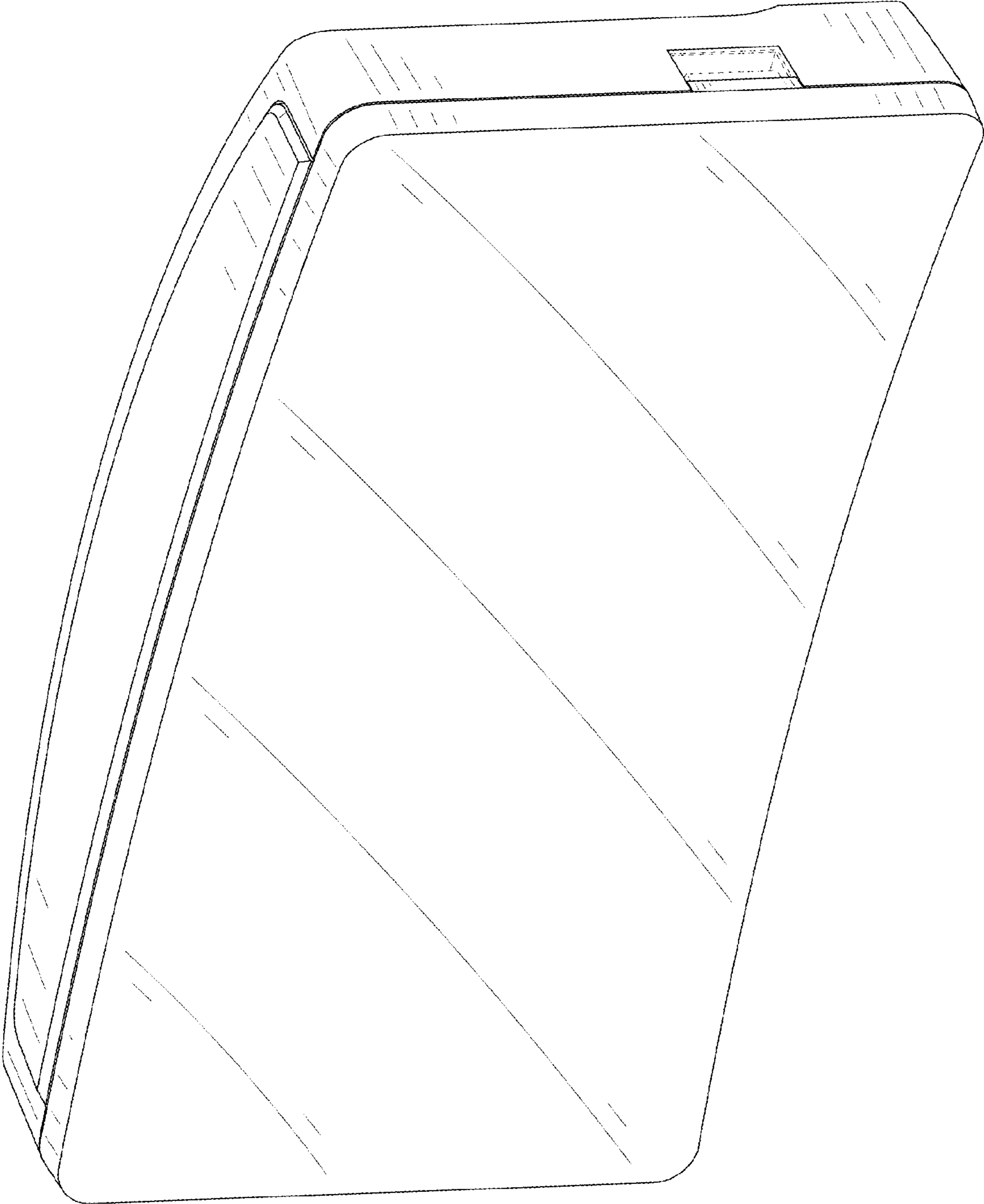


FIG. 1

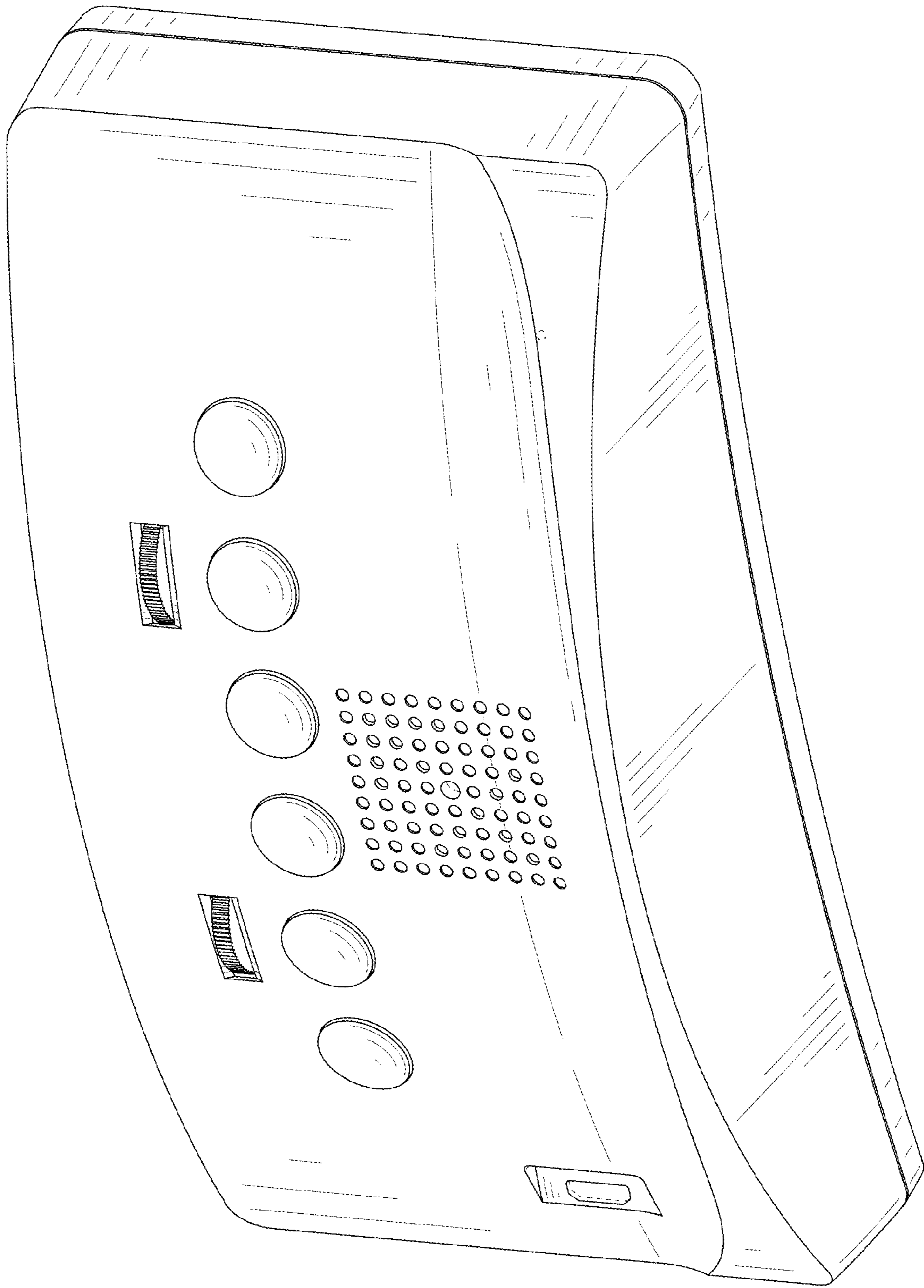


FIG. 2

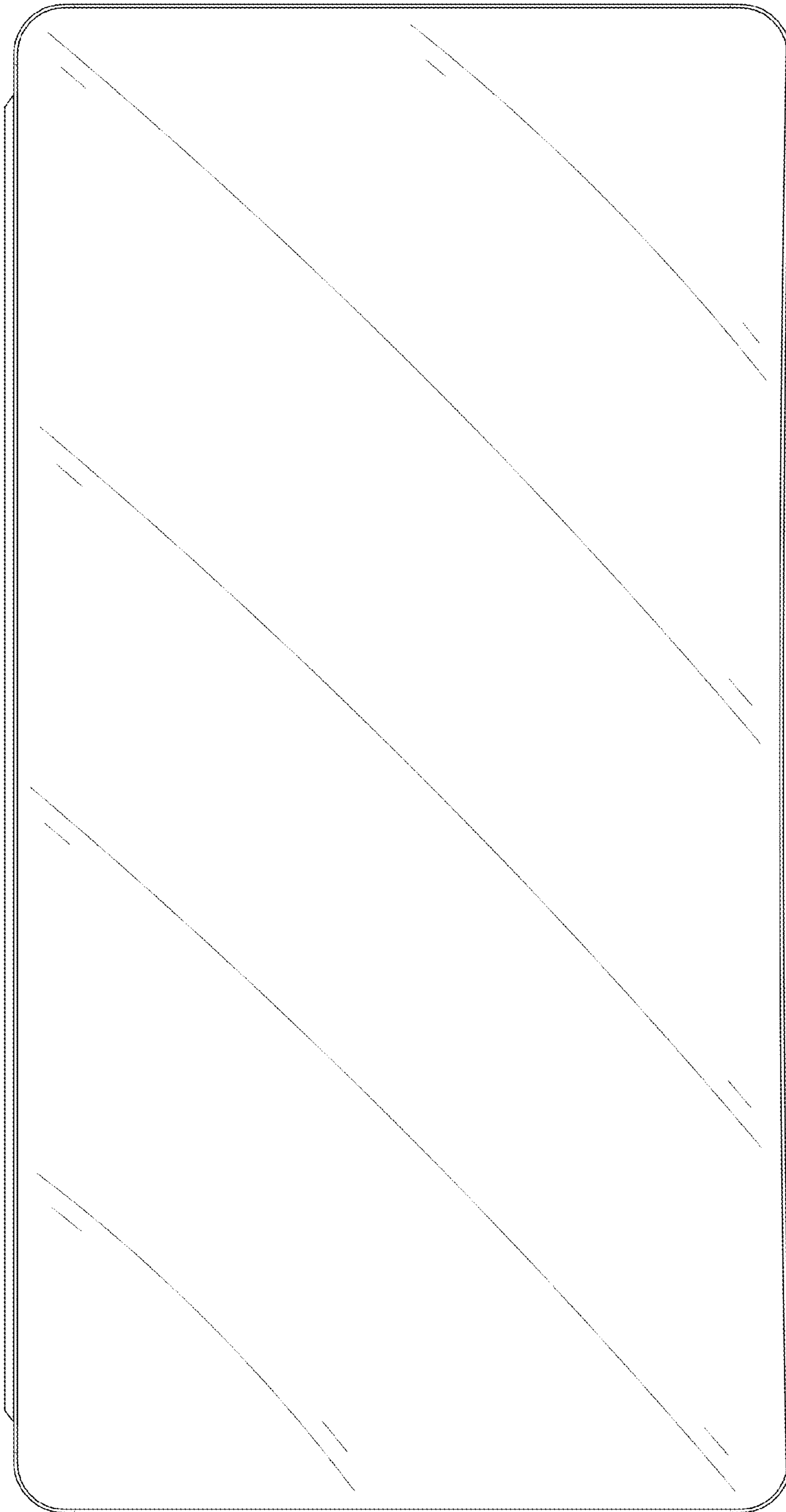


FIG. 3

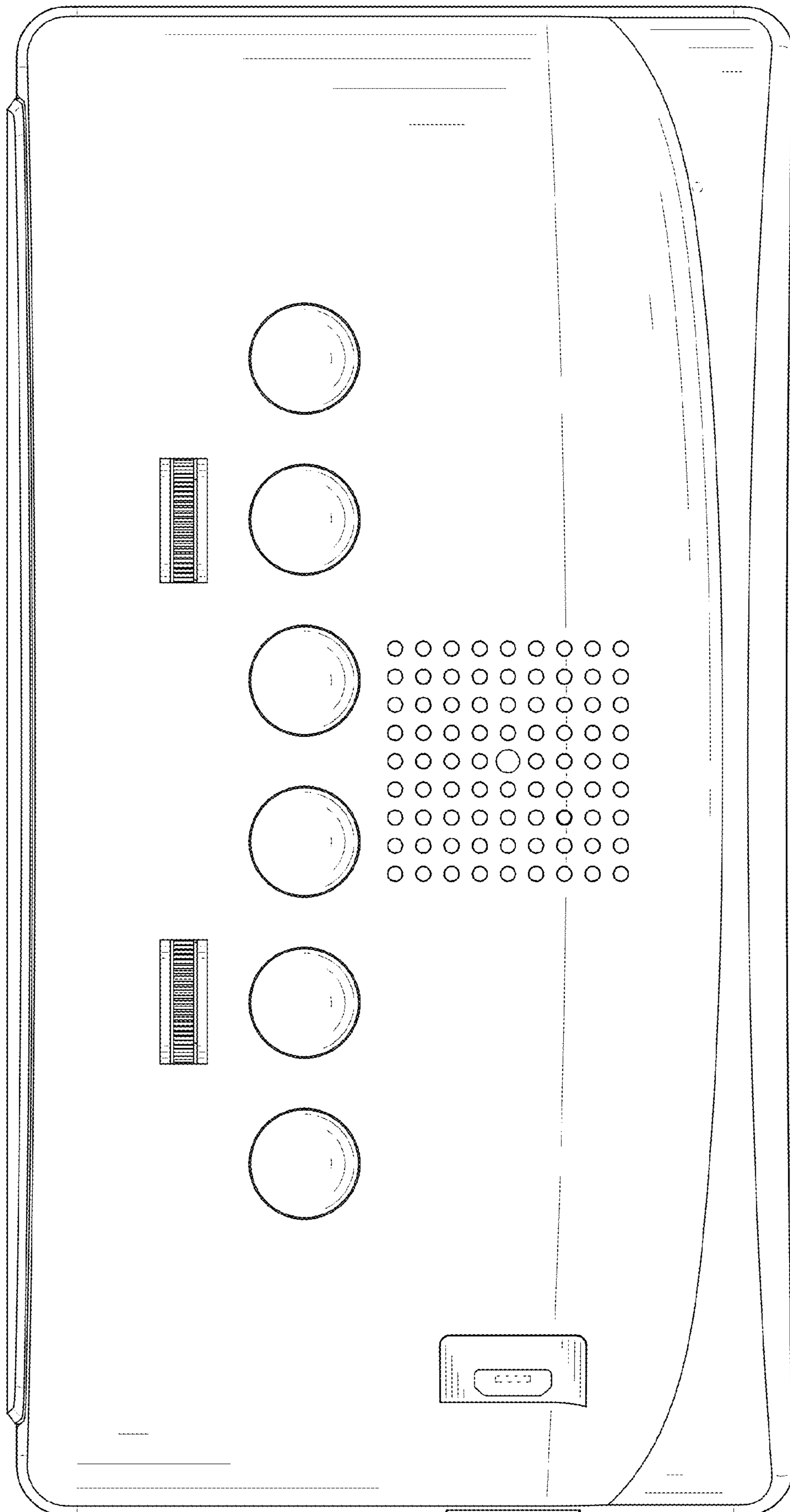


FIG. 4

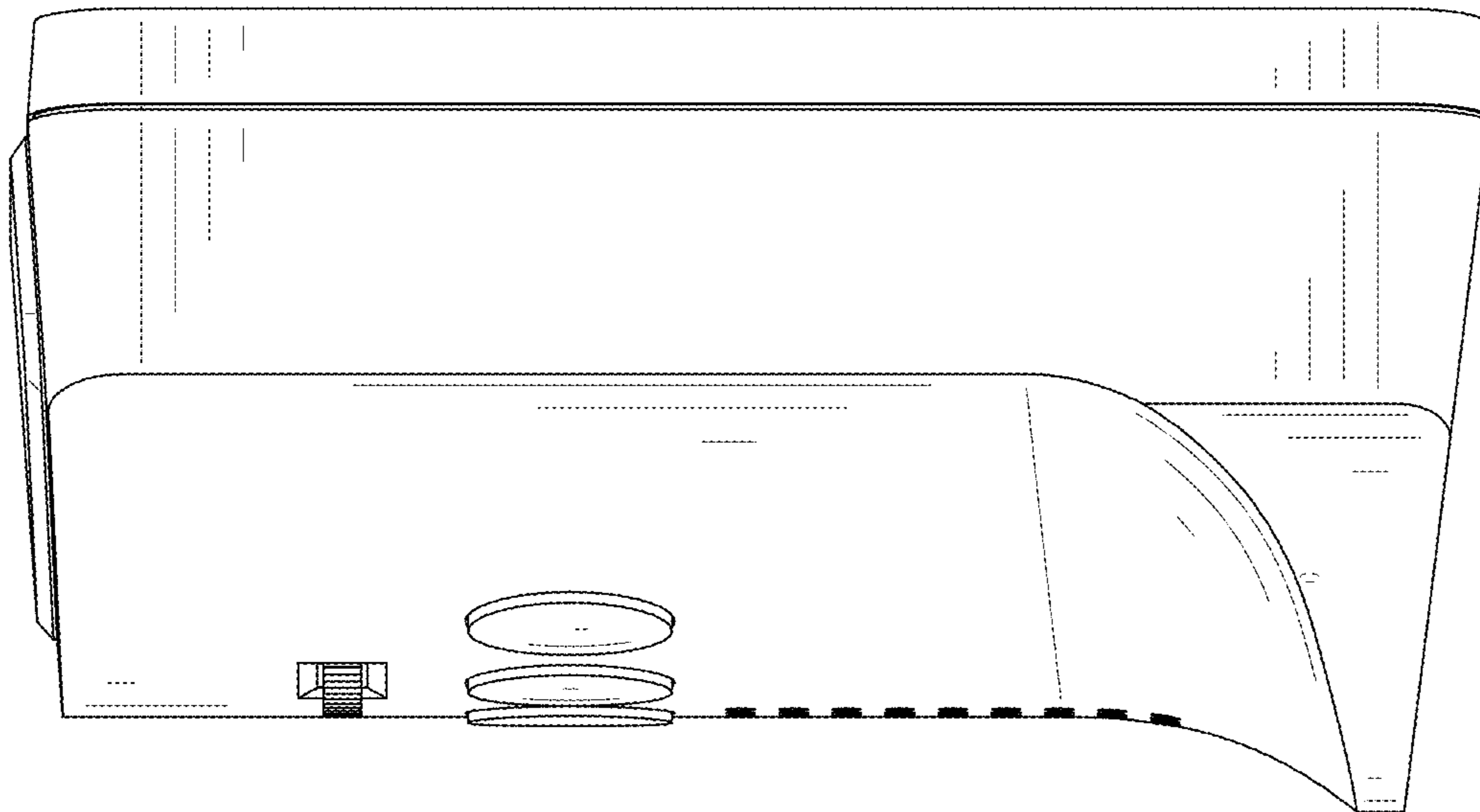


FIG. 5

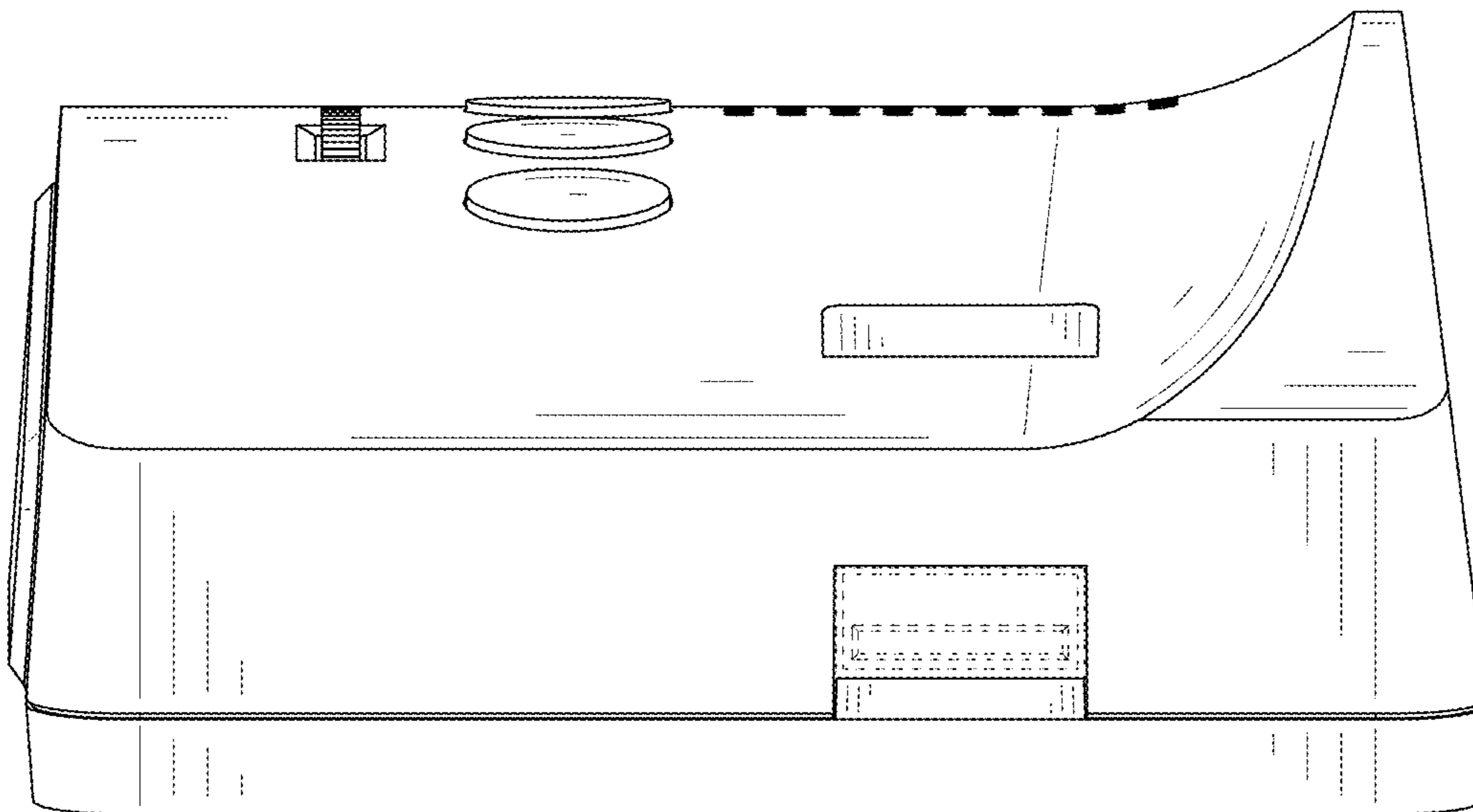


FIG. 6

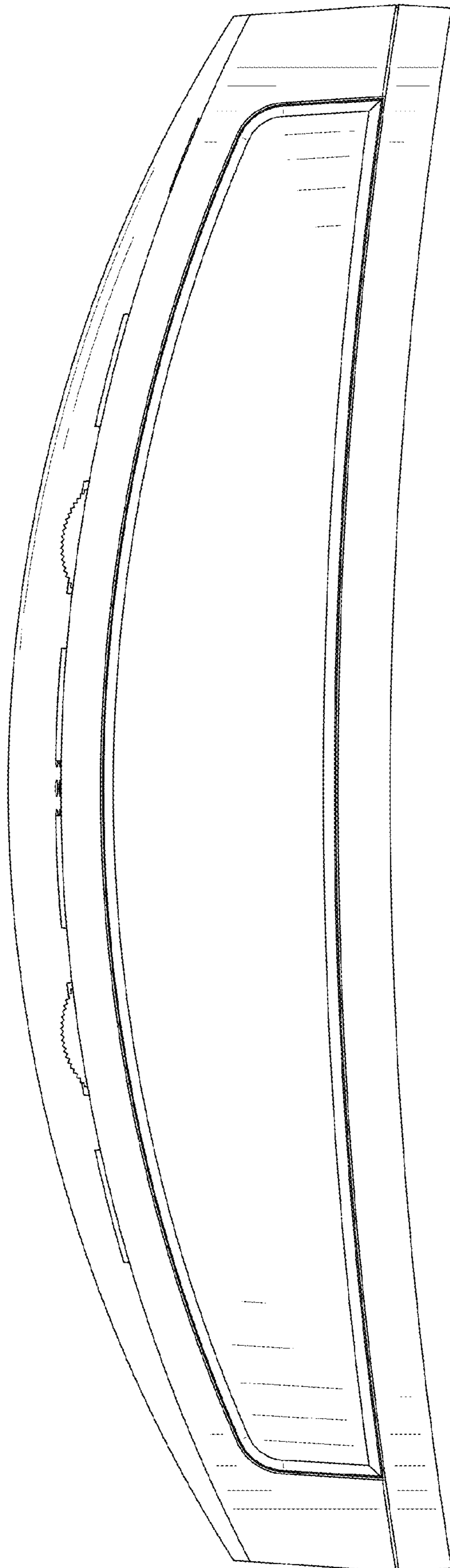


FIG. 7

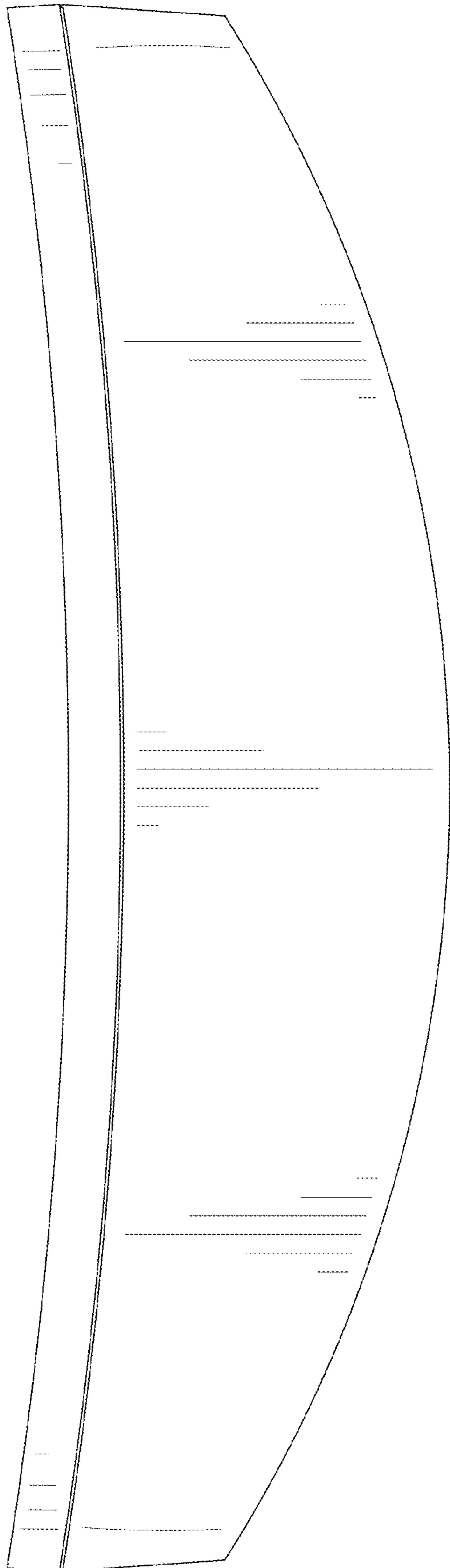


FIG. 8