



US00D959989S

(12) **United States Design Patent**
Tzou et al.

(10) **Patent No.:** **US D959,989 S**

(45) **Date of Patent:** **** Aug. 9, 2022**

(54) **COSMETIC JAR**

(71) Applicant: **HCT GROUP HOLDINGS LIMITED**, Sheung Wan (CN)

(72) Inventors: **Stephen Tzou**, Temple City, CA (US);
Jae Bin, Los Angeles, CA (US);
Leonardo Ferro, Paris (FR)

(73) Assignee: **HCT GROUP HOLDINGS LIMITED**, Hong Kong (CN)

(**) Term: **15 Years**

(21) Appl. No.: **29/721,939**

(22) Filed: **Jan. 24, 2020**

(51) **LOC (13) Cl.** **09-01**

(52) **U.S. Cl.**
USPC **D9/560**; D28/76

(58) **Field of Classification Search**
USPC D9/432, 452, 529, 544, 560, 573, 574;
D28/8, 76, 85

CPC ... A45D 40/0068; A45D 40/00; A45D 33/006
See application file for complete search history.

(56) **References Cited**

U.S. PATENT DOCUMENTS

D171,516 S	2/1954	Otto
D259,173 S	5/1981	Lauren
D262,518 S	1/1982	Cottrell
D271,180 S	11/1983	Runyon
D323,111 S	1/1992	Restrepo
D389,742 S	1/1998	Toleman
D420,596 S	2/2000	Maddy
D454,502 S	3/2002	Legros
D478,513 S	8/2003	Canamasas Puigbo
D498,421 S	11/2004	Kostow
D499,341 S	12/2004	Lovison
D511,688 S	11/2005	Baron
D531,043 S	10/2006	Houtart et al.
D535,104 S	1/2007	Chen

D540,688 S	4/2007	Lascaux
D540,689 S	4/2007	Dorfmueller
D561,593 S	2/2008	Gomez
D570,221 S	6/2008	Moretti
D577,292 S	9/2008	Moretti
D578,891 S	10/2008	Canamasas Puigbo
D582,291 S	12/2008	de Baschmakoff
D598,297 S	8/2009	Rica

(Continued)

FOREIGN PATENT DOCUMENTS

RU 00064242 * 10/2007

OTHER PUBLICATIONS

EUIPO Certificate of Registration No. 002568410-0001, registered Oct. 30, 2014.

(Continued)

Primary Examiner — Brett Miller

Assistant Examiner — Rani J Abdallah

(74) *Attorney, Agent, or Firm* — Seager, Tufte & Wickhem LLP

(57) **CLAIM**

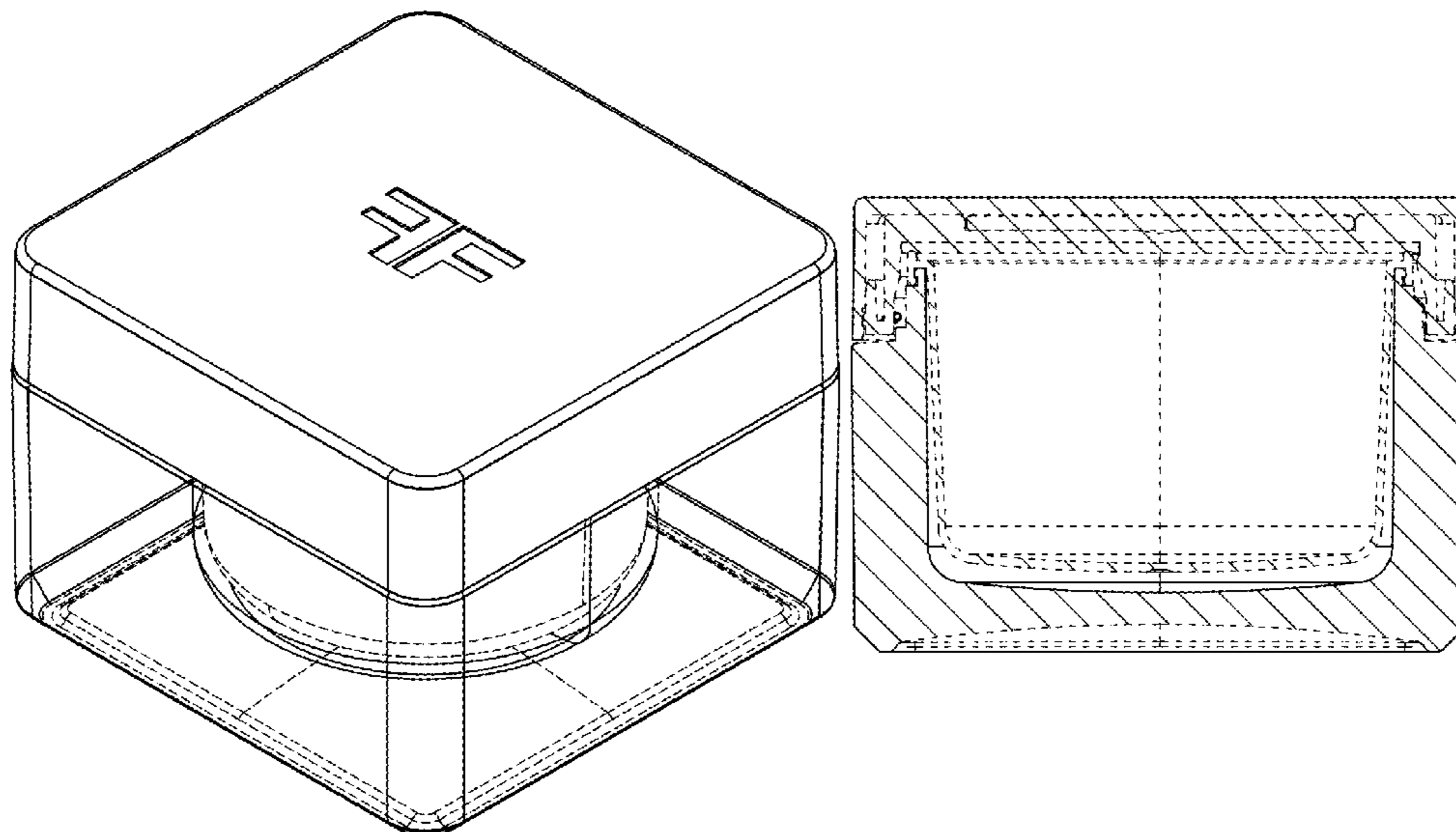
The ornamental design for a cosmetic jar, as shown and described.

DESCRIPTION

FIG. 1 is a front perspective view of a cosmetic jar; FIG. 2 is a top side view of the cosmetic jar of FIG. 1; FIG. 3 is a front side view of the cosmetic jar of FIG. 1, the back side view, the left side view, and the right side view being a mirror image thereof; and, FIG. 4 is a cross-section view of the cosmetic jar of FIG. 2, taken at line 4-4.

The portions of the Figures shown in broken lines are included for purposes of illustration but form no part of the claimed design.

1 Claim, 4 Drawing Sheets



(56)

References Cited

U.S. PATENT DOCUMENTS

D599,690 S 9/2009 Pohl et al.
 D601,027 S 9/2009 Courtaigne Delalande
 D604,630 S * 11/2009 Canamasas Puigbo D9/560
 D620,368 S 7/2010 Pedersen
 D640,136 S 6/2011 Liba
 D659,004 S 5/2012 McCoy
 D668,143 S 10/2012 Rohrbach et al.
 D672,554 S 12/2012 Penttinen
 D686,491 S * 7/2013 Kuo D9/432
 D703,061 S 4/2014 de Lima Paschoal et al.
 D704,065 S 5/2014 de Lima Paschoal et al.
 D709,652 S 7/2014 Teller
 D715,653 S 10/2014 Lavigne et al.
 D730,191 S 5/2015 Hardy
 D732,240 S * 6/2015 Brown D28/85
 D734,550 S * 7/2015 Schlatter D28/85
 D746,627 S 1/2016 Puigbo
 D748,484 S 2/2016 Lavigne
 D764,910 S * 8/2016 Akana D9/432
 D768,936 S 10/2016 Yoshida
 D768,937 S 10/2016 Yoshida
 D778,156 S * 2/2017 Follett D9/432
 D785,458 S 5/2017 Futagami et al.
 D786,078 S * 5/2017 Futagami D9/529
 D799,328 S * 10/2017 Canamasas Puigbo D9/529
 D829,554 S * 10/2018 Liston D9/529
 D878,913 S * 3/2020 Castellanos D9/529
 D884,480 S * 5/2020 Karekar D9/529
 2005/0011895 A1 1/2005 Lin
 2009/0205673 A1 8/2009 Richardson
 2017/0127797 A1 * 5/2017 Salciarini A45D 40/0068

OTHER PUBLICATIONS

EUIPO Certificate of Registration No. 003410661-0004, registered Oct. 7, 2016.
 EUIPO Certificate of Registration No. 000739966-0004, registered Jul. 3, 2007.

EUIPO Certificate of Registration No. 000760509-0001, registered Sep. 25, 2007.
 EUIPO Certificate of Registration No. 000760509-0002, registered Sep. 25, 2007.
 EUIPO Certificate of Registration No. 000783360-0001, registered Oct. 25, 2007.
 EUIPO Certificate of Registration No. 002286708-0004, registered Aug. 13, 2013.
 Maria V and Joseph Pole. "Fabulous Friday: Magical anti-ageing mask and eyecream". Retrieved from crashingred.com/beauty/fabulous-friday-magical-anti-ageing-mask-and-eye-cream/. Aug. 24, 2021. 9 pages.
 Certificate of Registration No. 00844113-001 Registered on Dec. 17, 2007.
 Certificate of Registration No. 00177836-0002, Registered on Nov. 8, 2010.
 Certificate of Registration No. 002286708-0001, Registered on Aug. 5, 2013.
 Certificate Of Registration No. 006645693-0001, Registered on Jul. 24, 2019.
 Certificate of Registration No. 006645693-0002, Registered on Jul. 24, 2019.
 Certificate of Registration No. 006645693-0003, Registered on Jul. 24, 2019.
 Certificate of Registration No. 006645693-0004, Registered on Jul. 24, 2019.
 Certificate of Registration No. 006645693-0005, Registered on Jul. 24, 2019.
 Certificate of Registration No. 00645693-0006, Registered on Jul. 24, 2019.
 French Registration No. 045908, date of Publication May 20, 2005.
 French Registration No. 802322-003 date of Publication Feb. 4, 1981.
 French Registration No. 802322-006 date of Publication Feb. 4, 1981.
 French Registration No. 20111444, date of Publication Aug. 19, 2011.

* cited by examiner

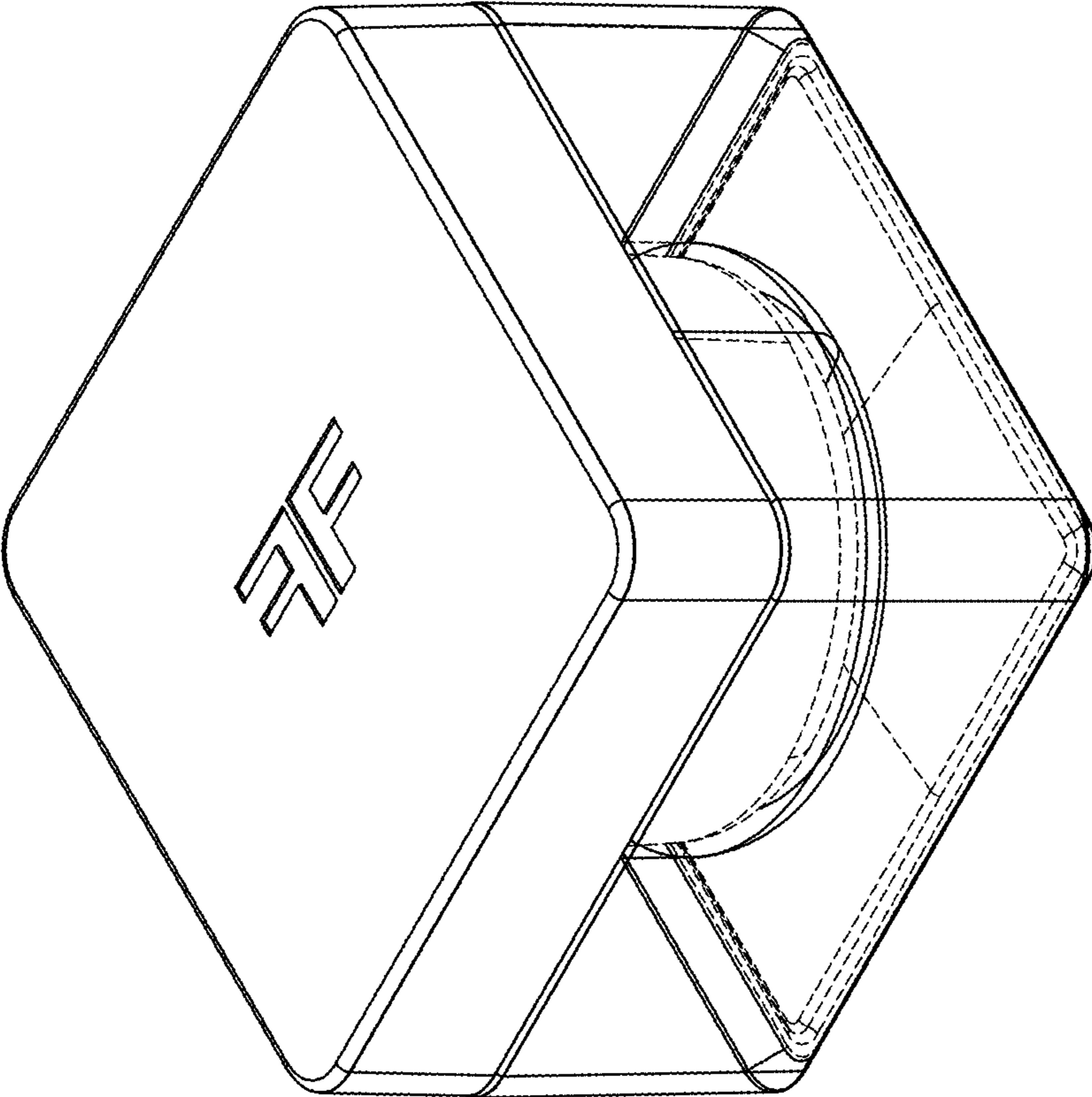


FIG. 1

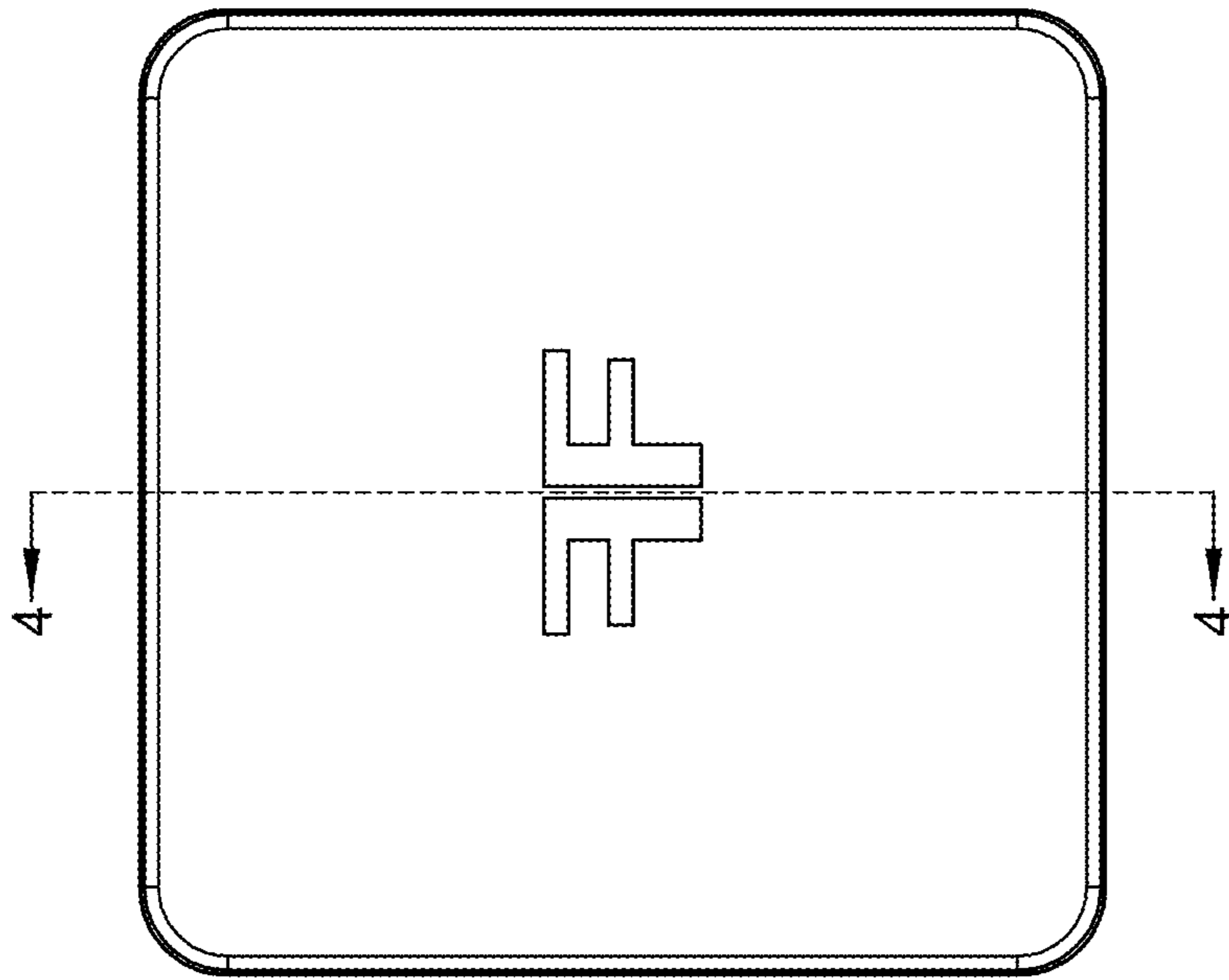


FIG. 2

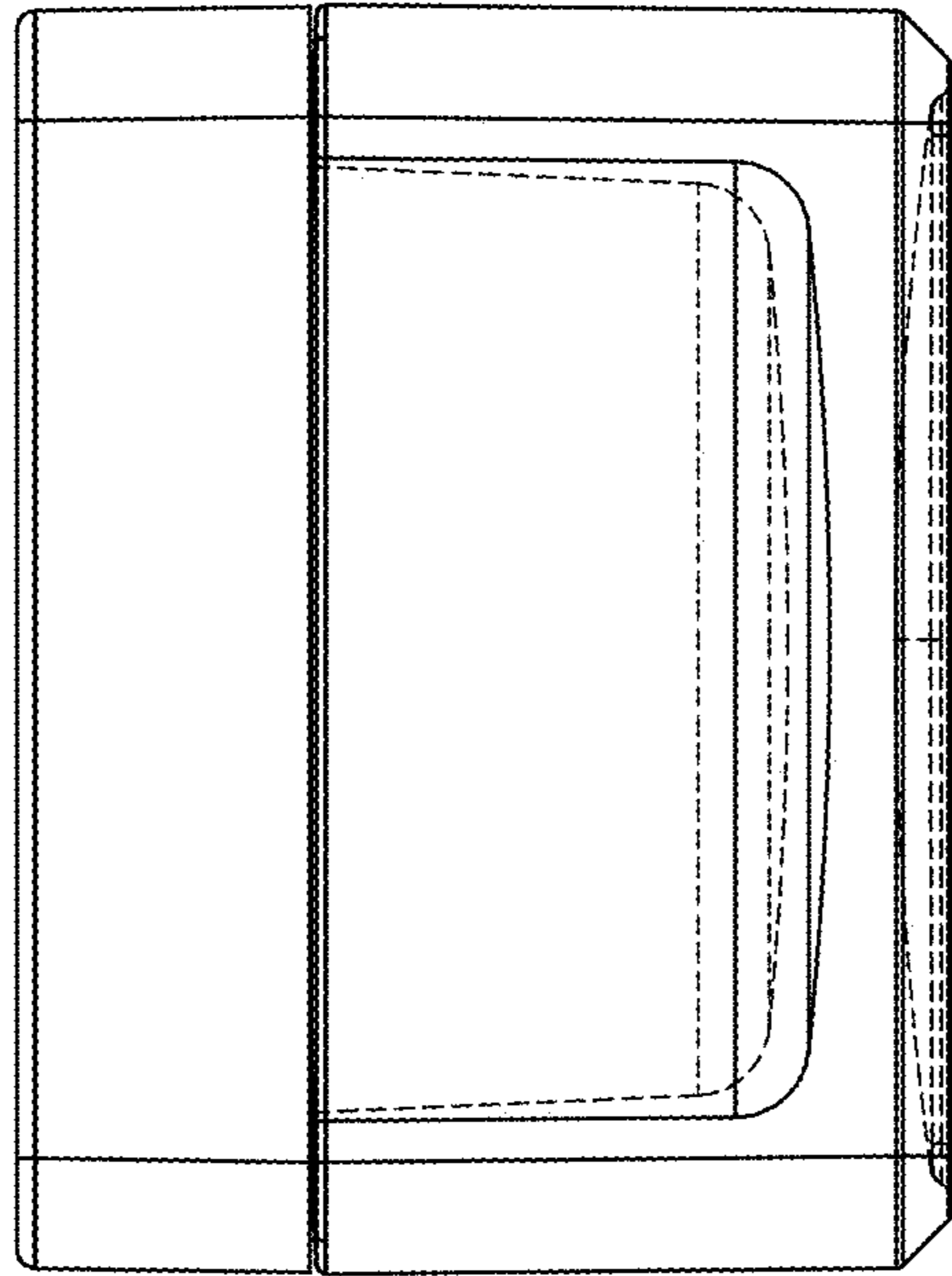


FIG. 3

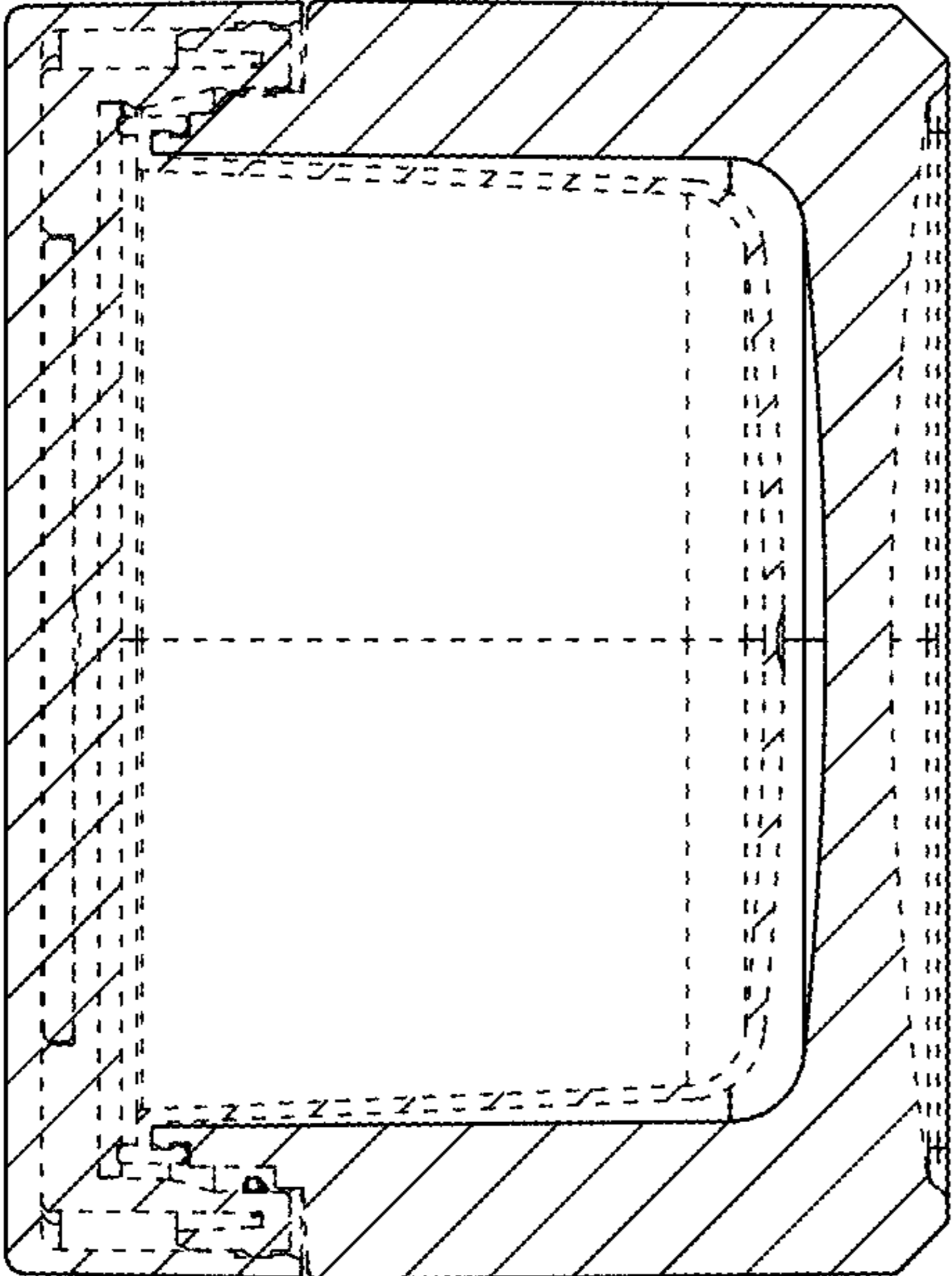


FIG. 4