



US00D959988S

(12) **United States Design Patent** (10) **Patent No.:** **US D959,988 S**
Nguyen et al. (45) **Date of Patent:** **** Aug. 9, 2022**

(54) **BOTTLE**

(71) Applicants: **Berlin Packaging, LLC**, Chicago, IL (US); **Ecolab USA Inc.**, Eagan, MN (US)

(72) Inventors: **Tien Nguyen**, Chicago, IL (US); **Hope Weilage**, Marshall, MN (US); **Alex Nee**, Richfield, MN (US)

(73) Assignee: **Berlin Packaging, LLC**, Chicago, IL (US)

(**) Term: **15 Years**

(21) Appl. No.: **29/805,755**

(22) Filed: **Aug. 30, 2021**

Related U.S. Application Data

(62) Division of application No. 29/673,253, filed on Dec. 13, 2018, now Pat. No. Des. 944,361.

(51) **LOC (13) Cl.** **09-01**

(52) **U.S. Cl.**
USPC **D9/542**

(58) **Field of Classification Search**
USPC D23/207, 213, 214, 215, 223, 224, 225, D23/226, 229, 230; D9/685, 500, 524, D9/542
CPC A61H 9/0021; A61H 33/00; B05B 1/00; B05B 1/14; B05B 1/185; B05B 1/08; B05B 1/02; B05B 1/26; B05B 12/002; B05B 1/18; B05B 9/01
See application file for complete search history.

(56) **References Cited**

U.S. PATENT DOCUMENTS

D337,945 S * 8/1993 Warner D23/213
D385,492 S * 10/1997 Foster D9/448
D394,008 S * 5/1998 Foster D9/448
D396,641 S * 8/1998 Klima, Jr. D9/543

D479,306 S * 9/2003 Chen D23/226
D502,987 S * 3/2005 Fritz D23/226
D574,463 S * 8/2008 Soriano D23/226
D581,486 S * 11/2008 Fulford D23/223

(Continued)

OTHER PUBLICATIONS

Tolco Empty Spray Bottle 8 oz. Frosted Assorted Colors (Pack of 3), Nov. 25, 2015, amazon.ca, Feb. 17, 2022, URL: <https://www.amazon.ca/Tolco-Bottle-Frosted-Assorted-Colors/dp/B00BSE0JSK/> (Year: 2015).*

(Continued)

Primary Examiner — Keith J Wilson

(74) *Attorney, Agent, or Firm* — Adam K. Sacharoff; Much Shelist, P.C.

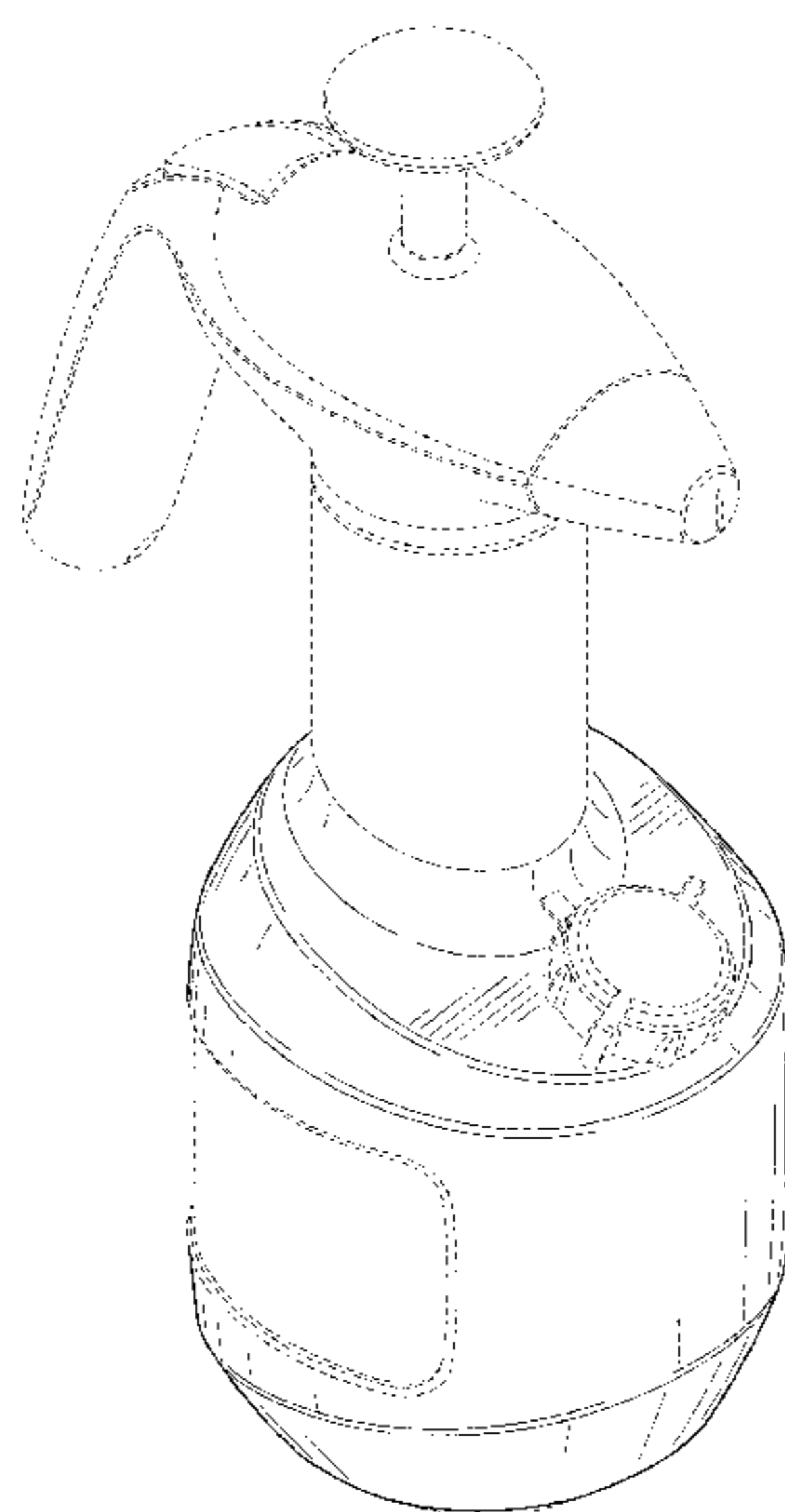
(57) **CLAIM**

The ornamental design for a bottle, as shown and described.

DESCRIPTION

FIG. 1 is a front left side perspective view showing the new design for a bottle;
FIG. 2 is a rear right side perspective view thereof;
FIG. 3 is a front elevation view thereof;
FIG. 4 is a rear elevation view thereof;
FIG. 5 is a right side view thereof;
FIG. 6 is a left side view thereof;
FIG. 7 is a top plan view thereof;
FIG. 8 is a bottom plan view thereof;
FIG. 9 is a front left side perspective view thereof taken from underneath the design; and,
FIG. 10 is a rear right side perspective view thereof taken from underneath the design.
The dotted broken lines in-the-FIGS, shown illustrate portions of the bottle and form no part of the claimed. The dash dot broken lines represent a boundary and form no part of the claimed design.

1 Claim, 10 Drawing Sheets



(56)

References Cited

U.S. PATENT DOCUMENTS

D653,542 S *	2/2012	Arminak	D9/448
D653,946 S *	2/2012	Arminak	D9/448
D671,004 S *	11/2012	Kelly	B05B 11/0037 D9/558
D685,058 S *	6/2013	Rigolio	D23/226
D700,841 S *	3/2014	Natersky	D9/448
D809,102 S *	1/2018	Jordan	D23/226
D918,049 S *	5/2021	Wu	D9/542
D923,142 S *	6/2021	Feng	D23/226
D926,926 S *	8/2021	Moldthan	D23/213
D930,113 S *	9/2021	Dubiel	D23/213
D933,777 S *	10/2021	Masalin	D23/213
D933,778 S *	10/2021	Salvador	D23/213
D936,784 S *	11/2021	Mercnik	D23/213
D943,711 S *	2/2022	Ye	D23/226
2009/0123272 A1 *	5/2009	Love	F02B 37/24 700/282
2009/0206611 A1 *	8/2009	Gilbert	F03D 9/11 290/55

2011/0062185 A1 *	3/2011	McFarland	B05B 11/00412 222/105
2016/0226340 A1 *	8/2016	Perriere	H02K 1/06
2017/0100735 A1 *	4/2017	Taylor	B05B 11/3057
2017/0234153 A1 *	8/2017	Williams	F01D 9/041 415/148
2019/0082502 A1 *	3/2019	Bethel	H05B 3/685
2019/0105669 A1 *	4/2019	Mikse	B05B 1/205
2020/0009585 A1 *	1/2020	Garrison	B05B 11/3056
2022/0002848 A1 *	1/2022	Wilson	C22C 38/58
2022/0010722 A1 *	1/2022	Segawa	F01D 25/243

OTHER PUBLICATIONS

Watering Can Hand-held Watering Sprayer, Li-Battery and Rechargeable 33 oz Mister Water Spray Bottle, Mar. 8, 2020, amazon.ca, Feb. 17, 2022, URL: <https://www.amazon.ca/Watering-Can-Hand-held-Li-Battery-Rechargeable-Adjustable/dp/B085NHX4XN/> (Year: 2020).*

* cited by examiner

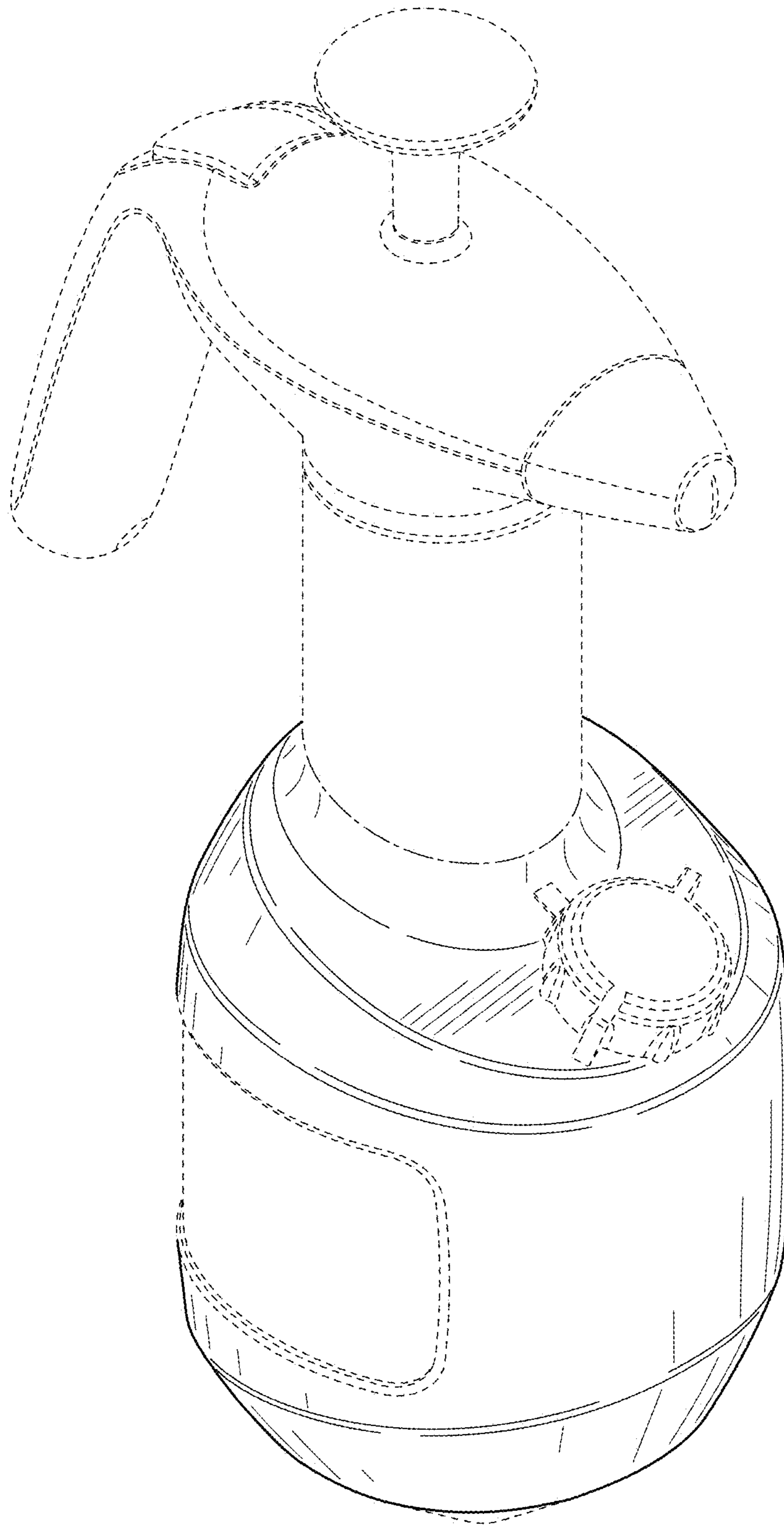


FIG. 1

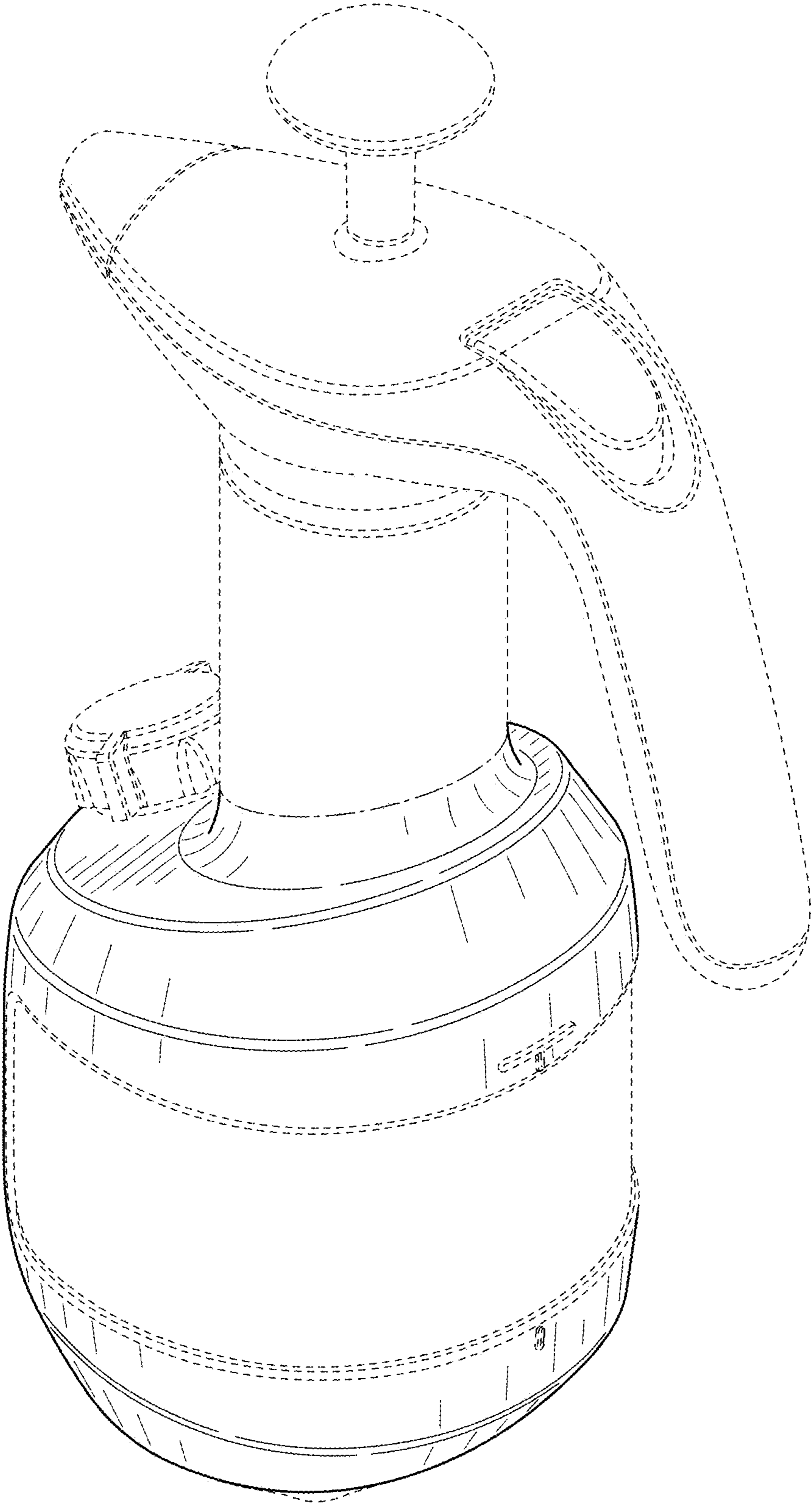


FIG. 2

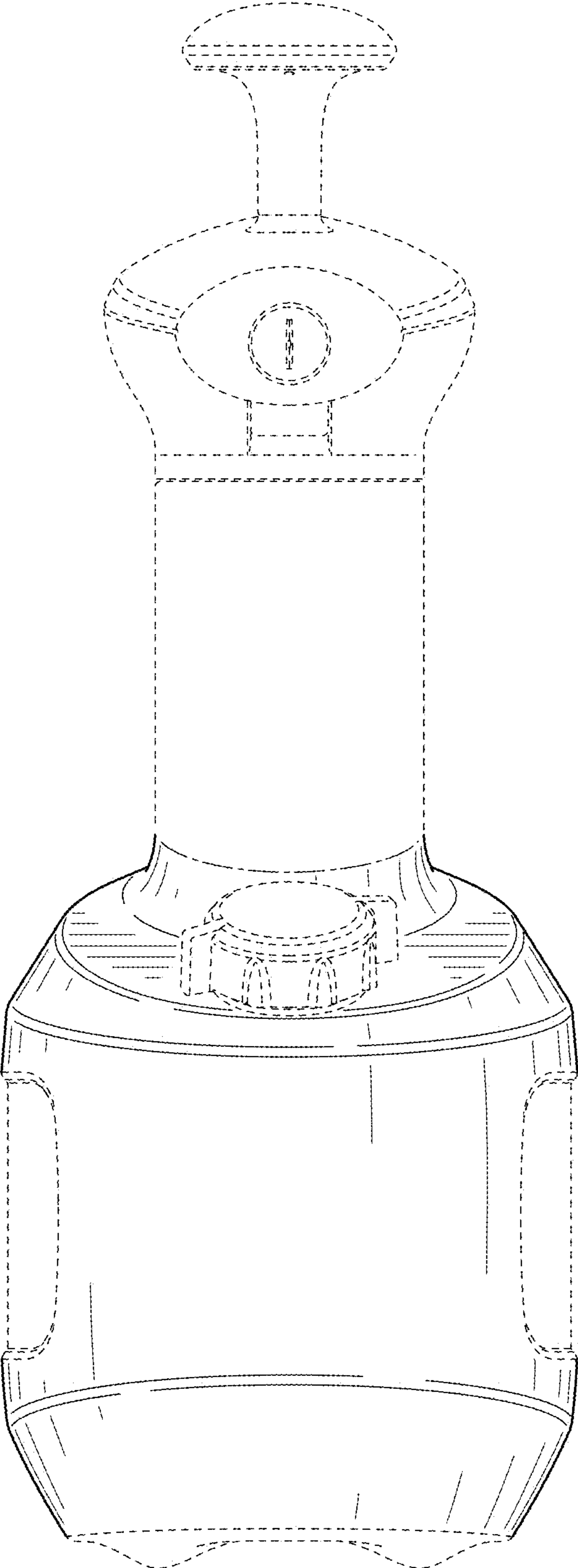


FIG. 3

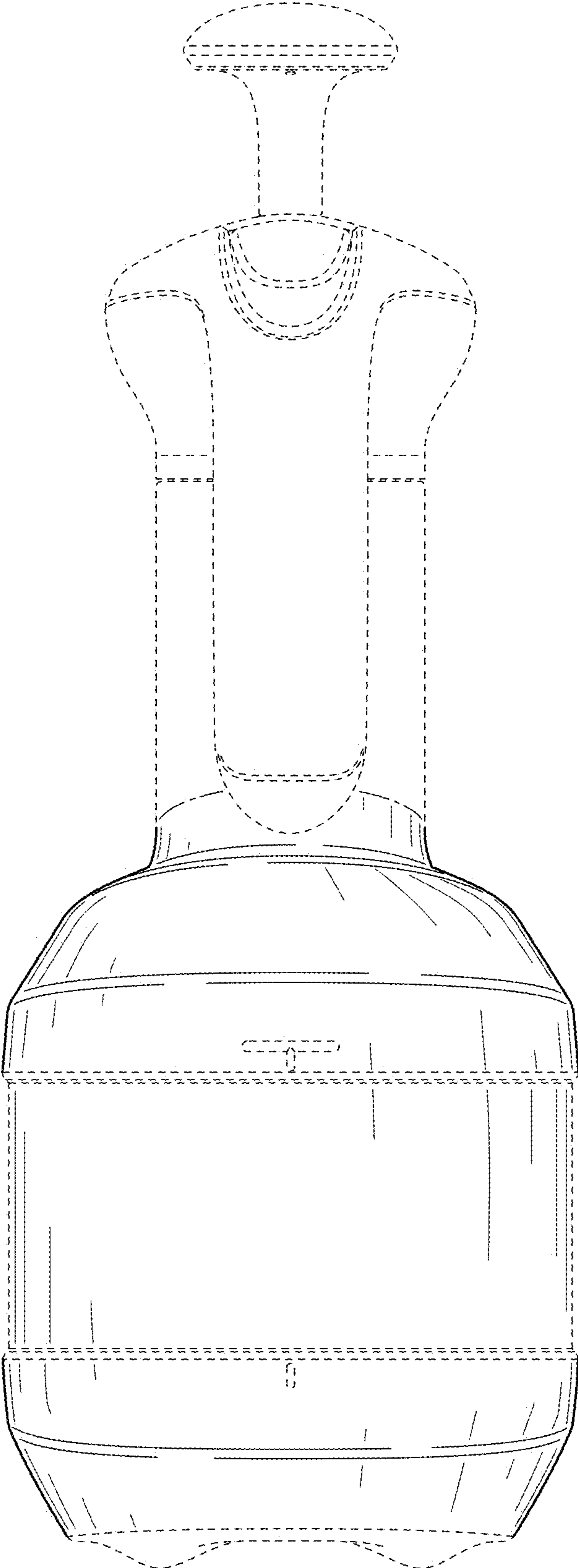


FIG. 4

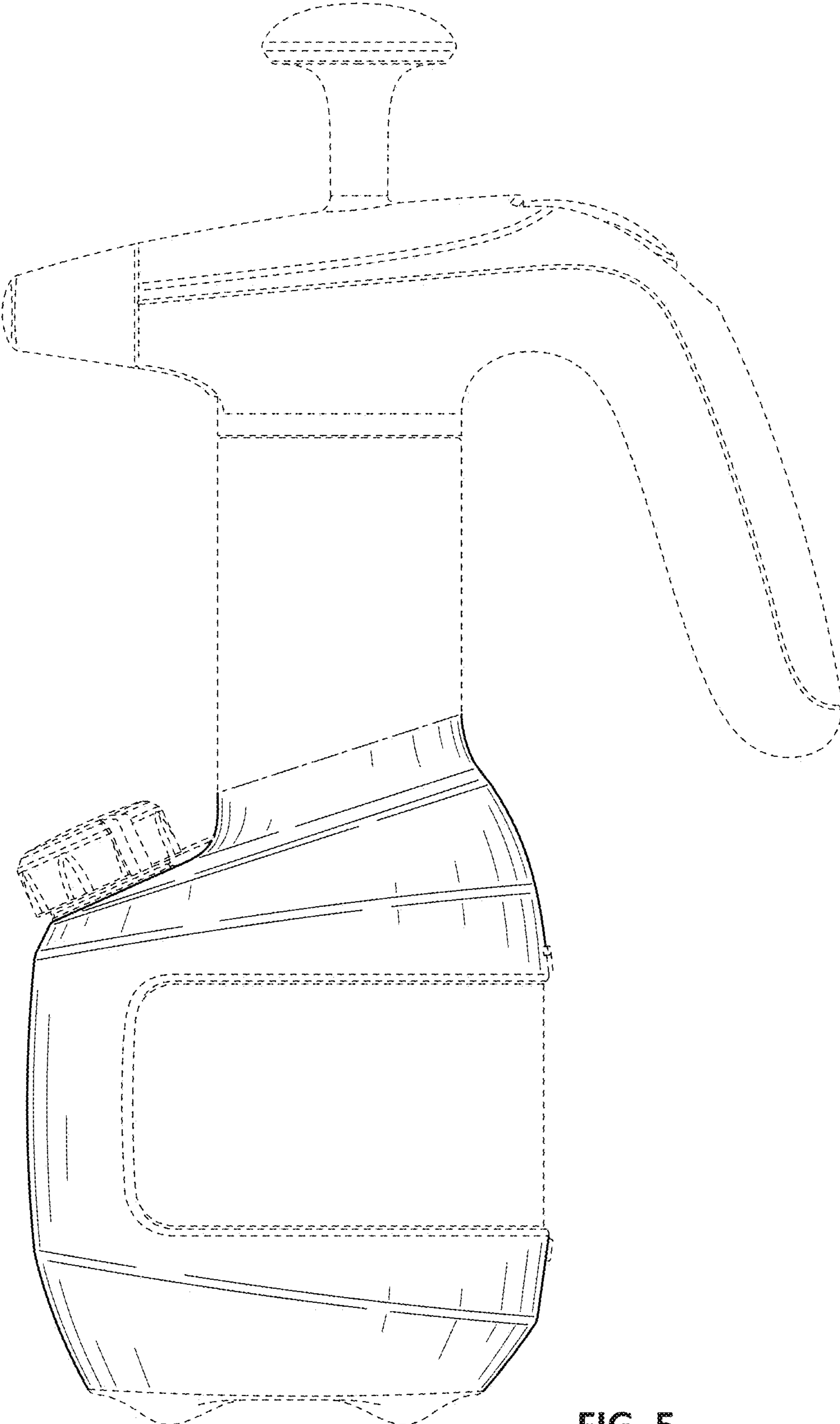


FIG. 5

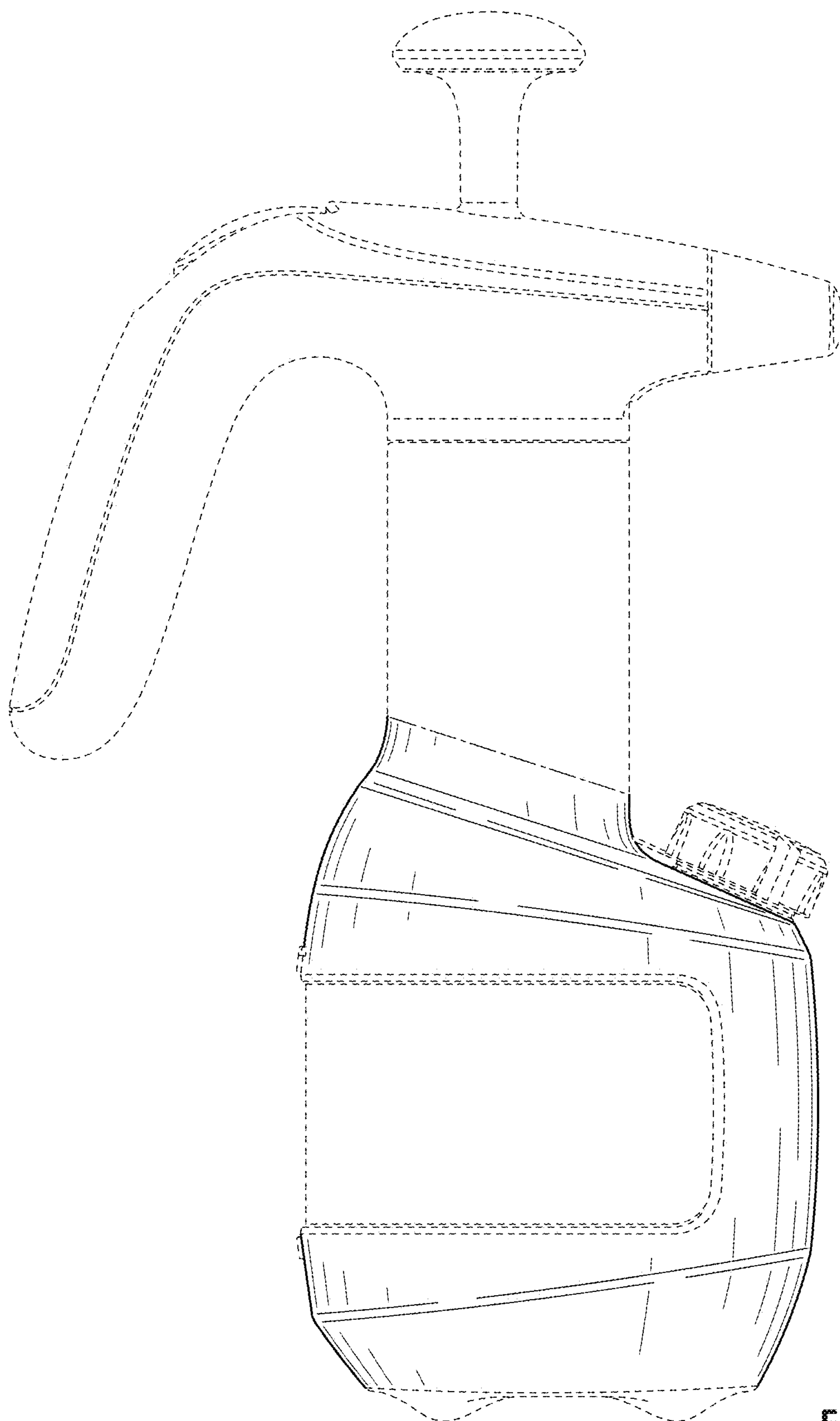


FIG. 6

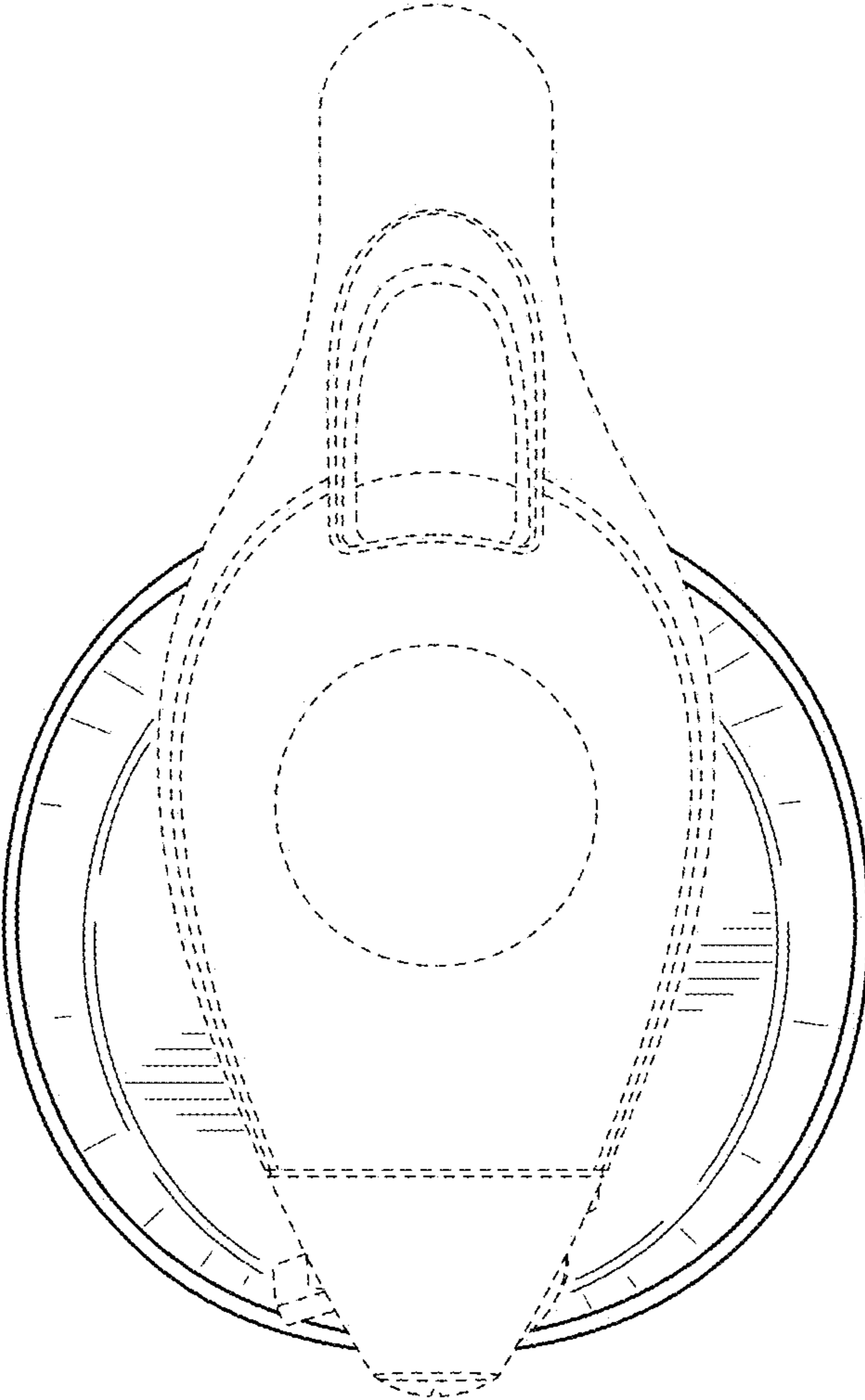


FIG. 7

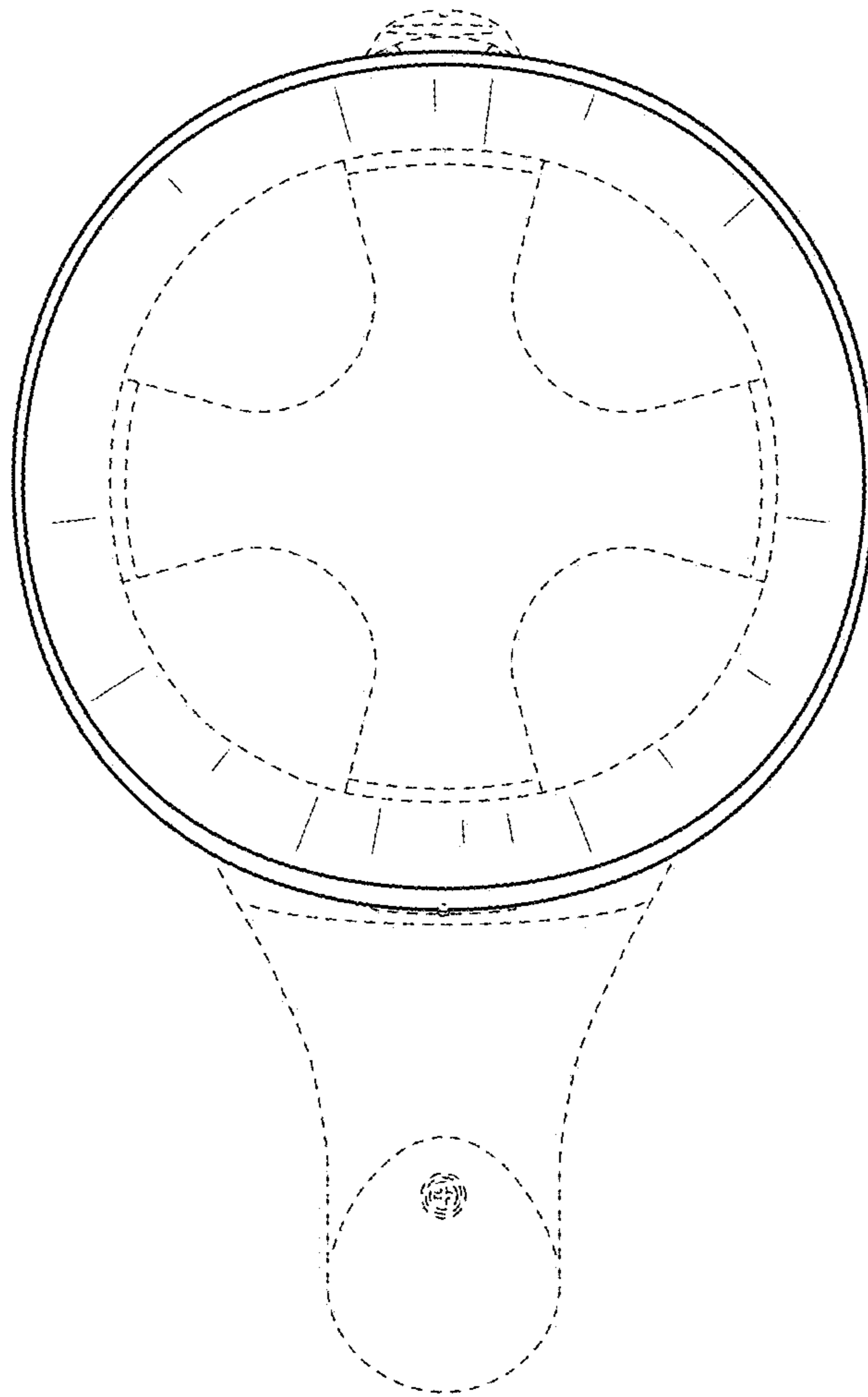


FIG. 8

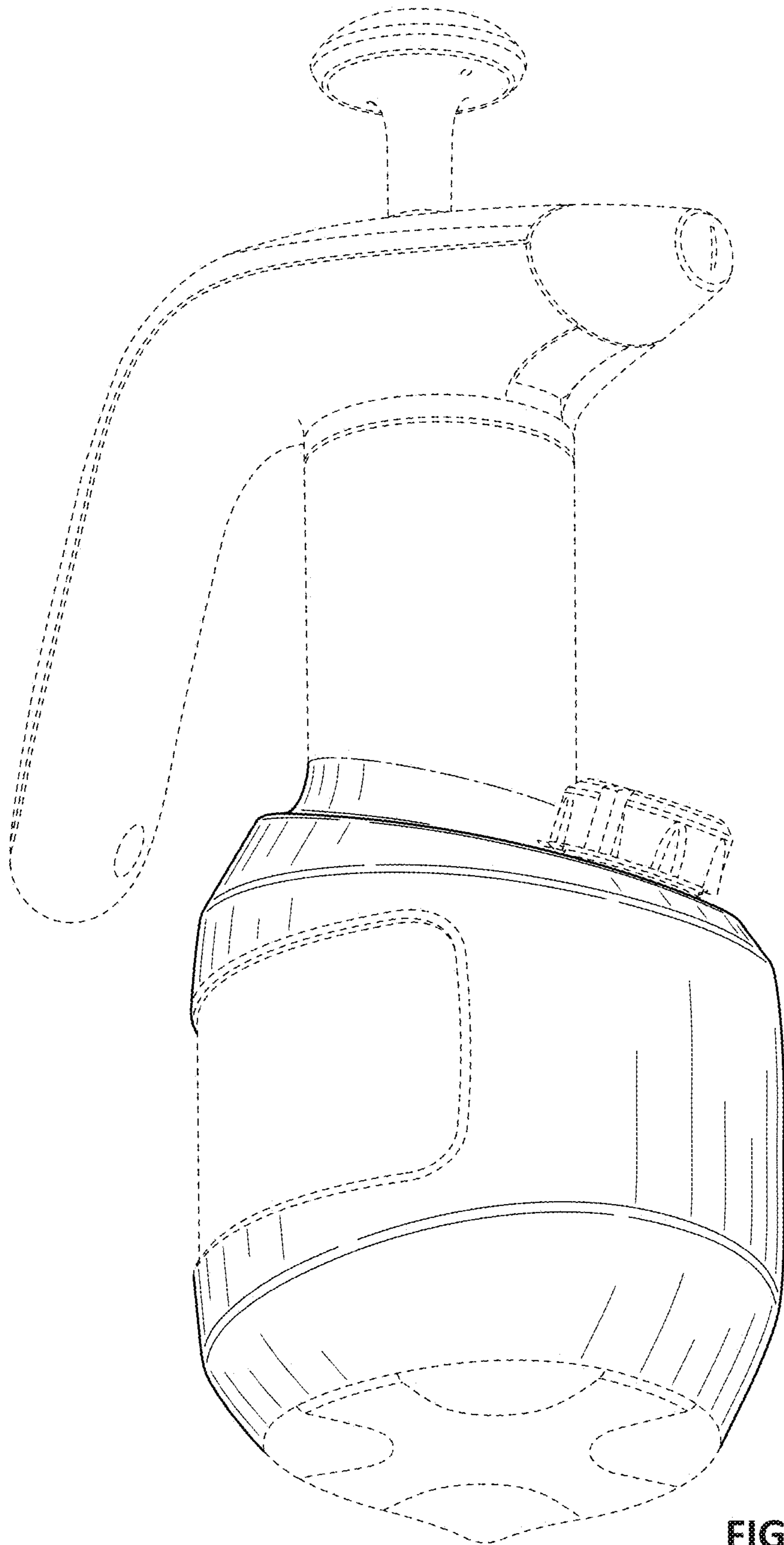


FIG. 9

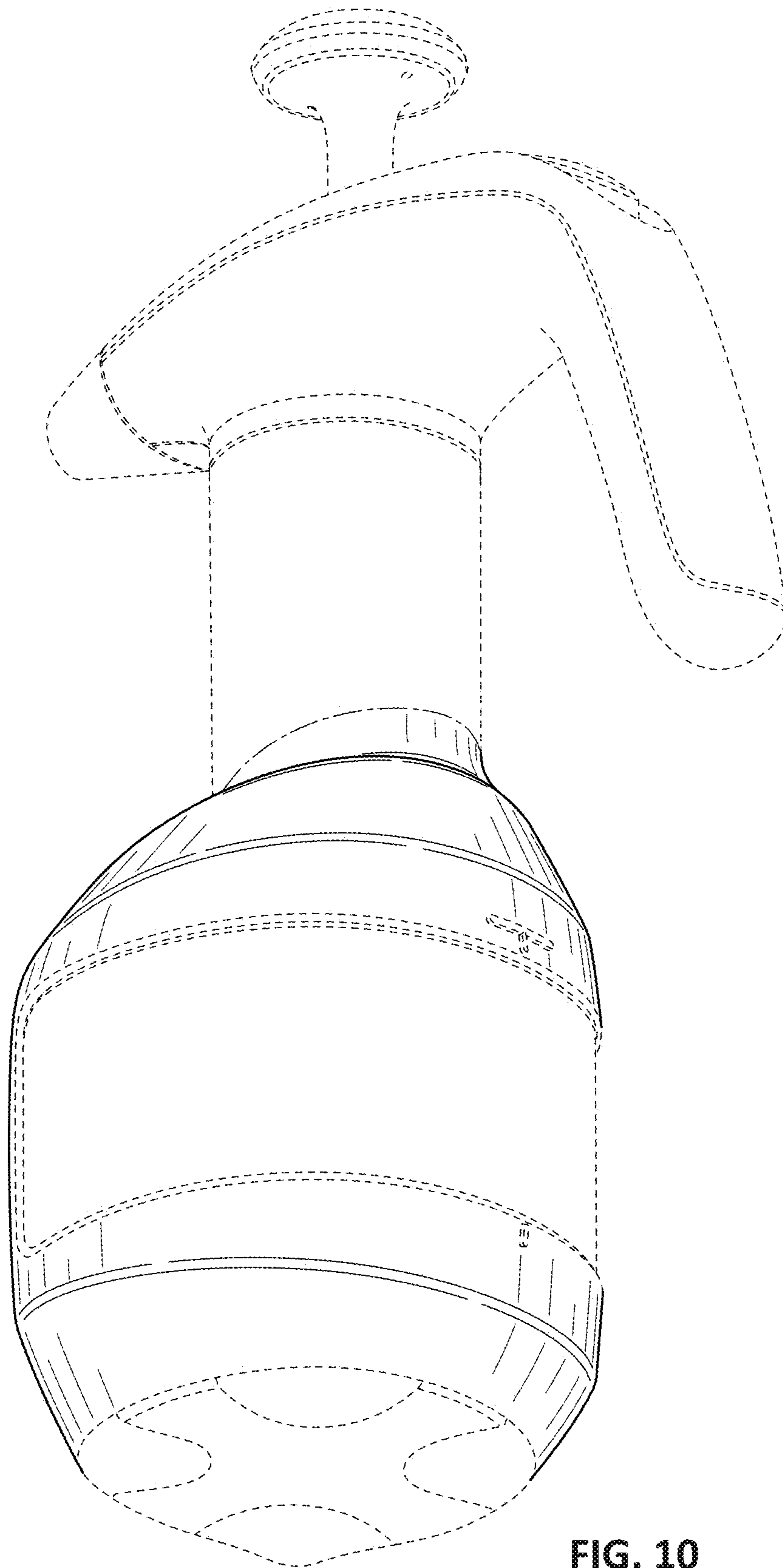


FIG. 10