



US00D959987S

(12) **United States Design Patent** (10) **Patent No.:** **US D959,987 S**
Deylamian et al. (45) **Date of Patent:** **** Aug. 9, 2022**

(54) **BOTTLE**

- (71) Applicant: **OnMyWhey, LLC**, Burlingame, CA (US)
- (72) Inventors: **Farbod Deylamian**, New York, NY (US); **David Jacobsen**, San Diego, CA (US); **Kyle Lewis**, San Mateo, CA (US); **Kayvon Pourmirzaie**, San Jose, CA (US)
- (73) Assignee: **OnMyWhey, LLC**, Burlingame, CA (US)
- (**) Term: **15 Years**
- (21) Appl. No.: **29/705,802**
- (22) Filed: **Sep. 16, 2019**

Related U.S. Application Data

- (63) Continuation of application No. 29/587,289, filed on Dec. 12, 2016, now Pat. No. Des. 844,435, and a continuation of application No. 29/587,298, filed on Dec. 12, 2016, now Pat. No. Des. 844,436.
- (51) **LOC (13) Cl.** **09-01**
- (52) **U.S. Cl.**
USPC **D9/516; D9/500**
- (58) **Field of Classification Search**
USPC D9/434-436, 443, 454, 499, 500-504, D9/516, 529, 549, 558, 715, 719, 722, D9/741, 745-746; D3/203.1-203.2, D3/207-208, 212, 215; D7/391, 507, D7/590, 629-630
CPC B65D 1/00; B65D 1/02; B65D 1/0223; B65D 11/04; B65D 23/00; B65D 23/0003; B65D 51/24; B65D 2313/00; B65D 2501/00; B65D 2501/0009; B65D

(Continued)

(56) **References Cited**

U.S. PATENT DOCUMENTS

2,093,189 A	9/1937	Edmunds	
2,783,919 A *	3/1957	Ansell	B65D 47/06 222/215

(Continued)

FOREIGN PATENT DOCUMENTS

CN	201424154 Y	3/2010
CN	201907704 U	7/2011

OTHER PUBLICATIONS

International Search Report in corresponding application PCT/US2018/065191 dated Apr. 29, 2019.

Primary Examiner — Dana Meyrow

(74) *Attorney, Agent, or Firm* — Young Basile Hanlon & MacFarlane, P.C.

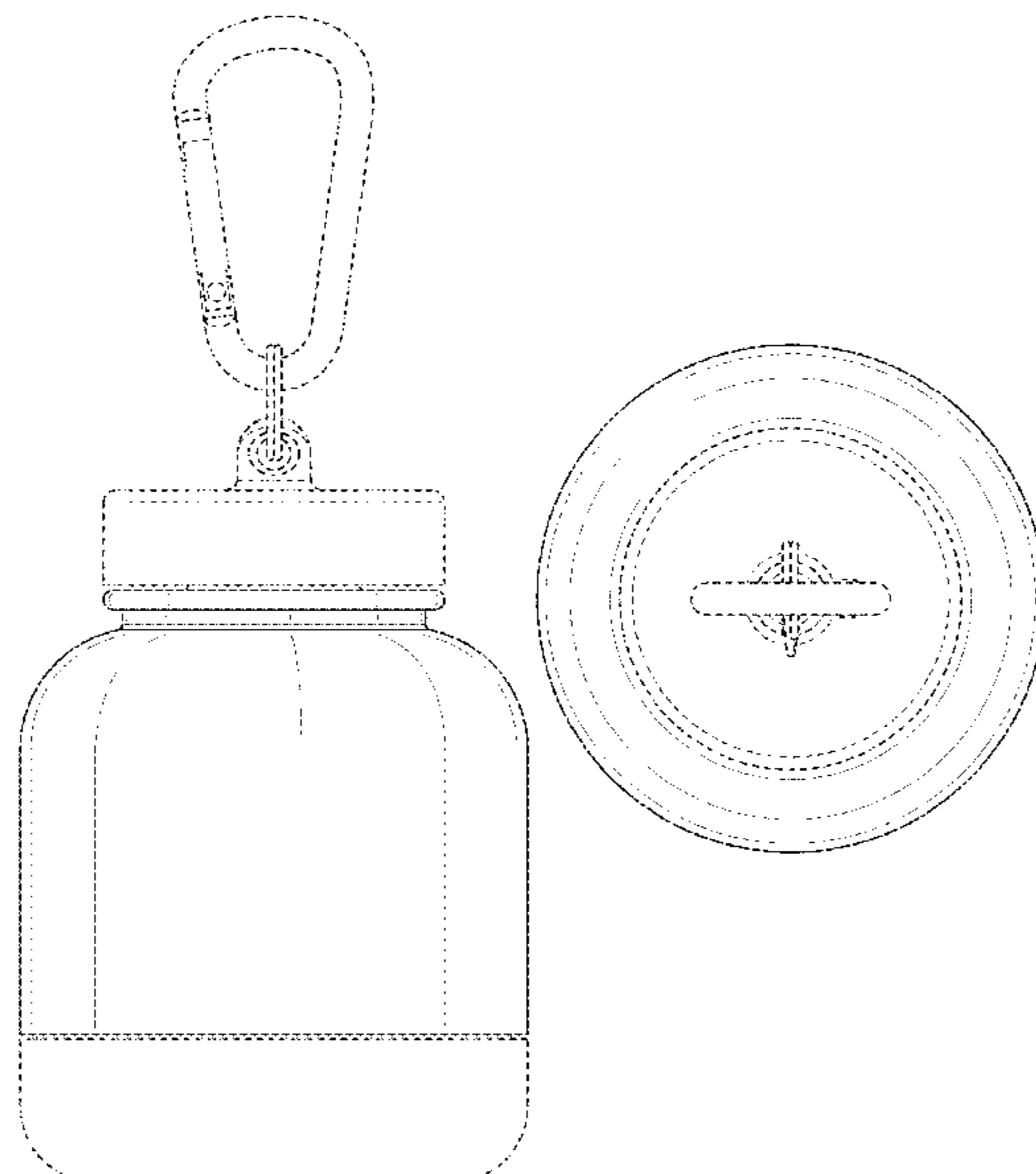
(57) **CLAIM**

The ornamental design for a bottle, as shown and described.

DESCRIPTION

FIG. 1 is a first perspective view of a bottle.
 FIG. 2 is a second perspective view of the bottle shown in FIG. 1.
 FIG. 3 is a front view of the bottle shown in FIG. 1.
 FIG. 4 is a back view of the bottle shown in FIG. 1.
 FIG. 5 is a left view of the bottle shown in FIG. 1.
 FIG. 6 is a right view of the bottle shown in FIG. 1.
 FIG. 7 is a top view of the bottle shown in FIG. 1.
 FIG. 8 is a bottom view of the bottle of FIG. 1.
 FIG. 9 is a first exploded perspective view of the bottle shown in FIG. 1; and,
 FIG. 10 is a second exploded perspective view of the bottle shown in FIG. 1.
 The broken lines shown in the drawings are included for purposes of illustrating portions of the bottle and form no part of the claimed design.

1 Claim, 9 Drawing Sheets



(58) **Field of Classification Search**
 CPC ... 2501/0072; B65D 1/06; A63B 29/02; Y10T
 24/45346; Y10T 24/45435
 See application file for complete search history.

(56) **References Cited**

U.S. PATENT DOCUMENTS

2,813,650 A * 11/1957 Takahashi B65D 41/185
 215/320
 3,212,663 A 10/1965 Greenwell
 D239,159 S 3/1976 Picker
 D243,065 S 1/1977 Picker
 D246,028 S 10/1977 McNab
 D278,597 S 4/1985 McAlinden
 4,616,759 A 10/1986 Mahler
 D287,335 S 12/1986 Anderson
 D315,095 S 3/1991 Wright
 D324,173 S 2/1992 Lynd
 D332,919 S * 2/1993 Turnbull D9/558
 D354,914 S 1/1995 Newman
 5,868,288 A 2/1999 Redmond, Sr. et al.
 5,931,356 A 8/1999 Lillelund et al.
 6,095,382 A 8/2000 Gross
 D433,336 S 11/2000 Weber
 6,296,803 B1 * 10/2001 Darr B29C 51/04
 264/513

D481,937 S 11/2003 McRae
 D489,171 S 5/2004 Jackson
 D606,447 S 12/2009 West et al.
 D618,906 S 7/2010 Covington et al.
 D653,116 S 1/2012 McMahon et al.
 D654,366 S 2/2012 Presche et al.
 D680,319 S 4/2013 Lawrence
 D690,161 S 9/2013 Gamer
 D690,772 S 10/2013 Kado
 8,844,767 B1 9/2014 Bates et al.
 D752,925 S 4/2016 Lewis et al.
 D759,480 S 6/2016 Shugar
 D785,455 S 5/2017 James et al.
 D805,909 S 12/2017 Matsuishi
 D807,177 S 1/2018 Belinsky et al.
 D831,489 S 10/2018 Deylamian et al.
 D836,444 S * 12/2018 Tan D9/500
 D844,435 S * 4/2019 Deylamian D9/503
 D844,436 S * 4/2019 Deylamian D9/503
 D844,438 S * 4/2019 Deylamian D9/503
 D844,439 S * 4/2019 Deylamian D9/503
 D849,542 S * 5/2019 Harris D9/500
 D928,368 S * 8/2021 McNabb D26/37
 D944,646 S * 3/2022 Luu D9/500
 2008/0308518 A1 12/2008 Sprishen
 2011/0309083 A1 12/2011 Hsiu-Tzu Charlene
 2018/0162582 A1 6/2018 Deylamian et al.

* cited by examiner

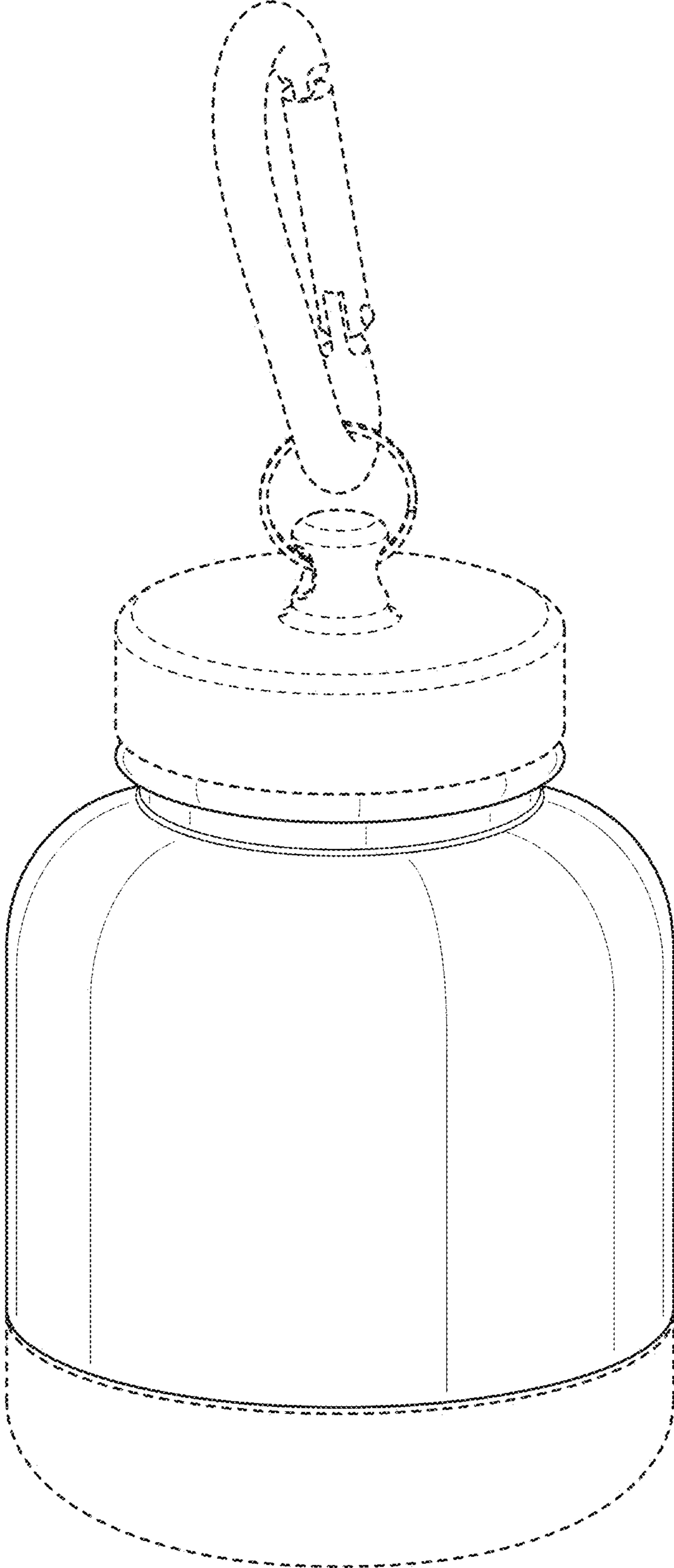


FIG. 1

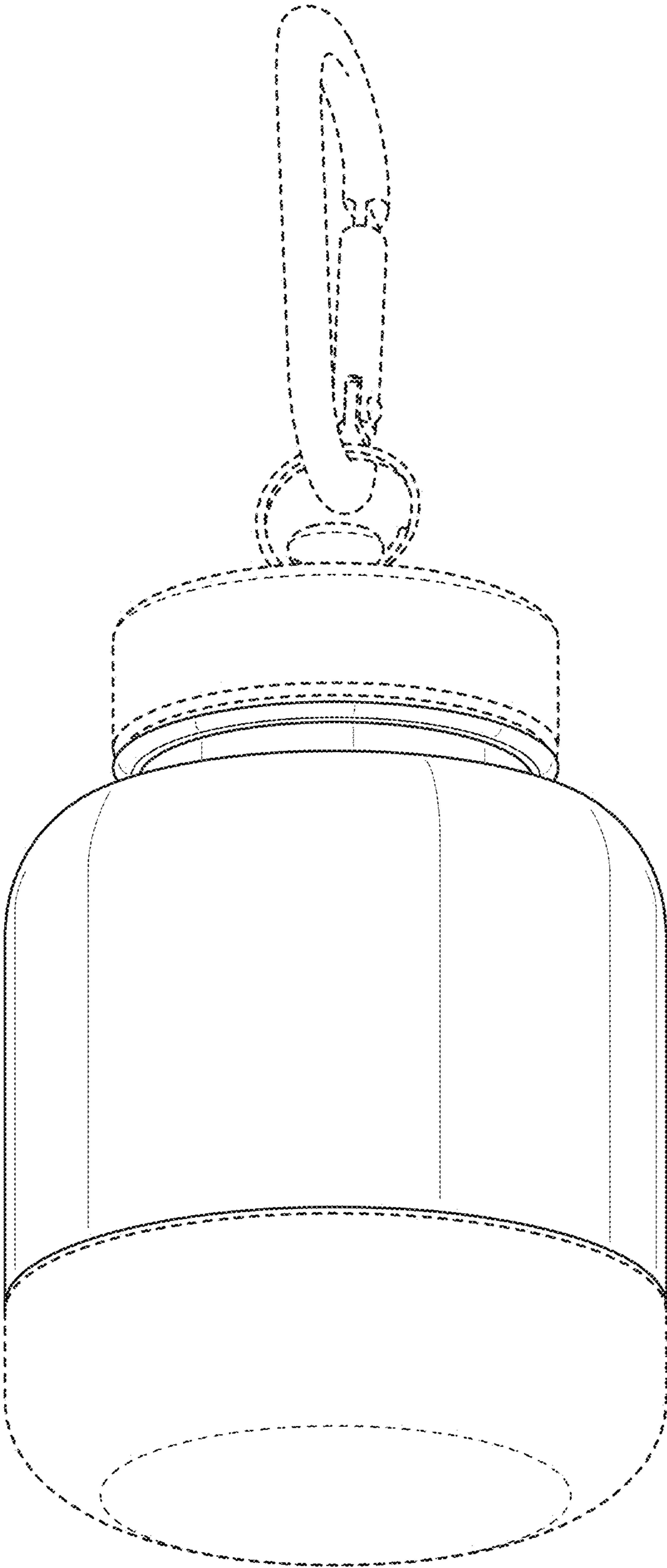


FIG. 2

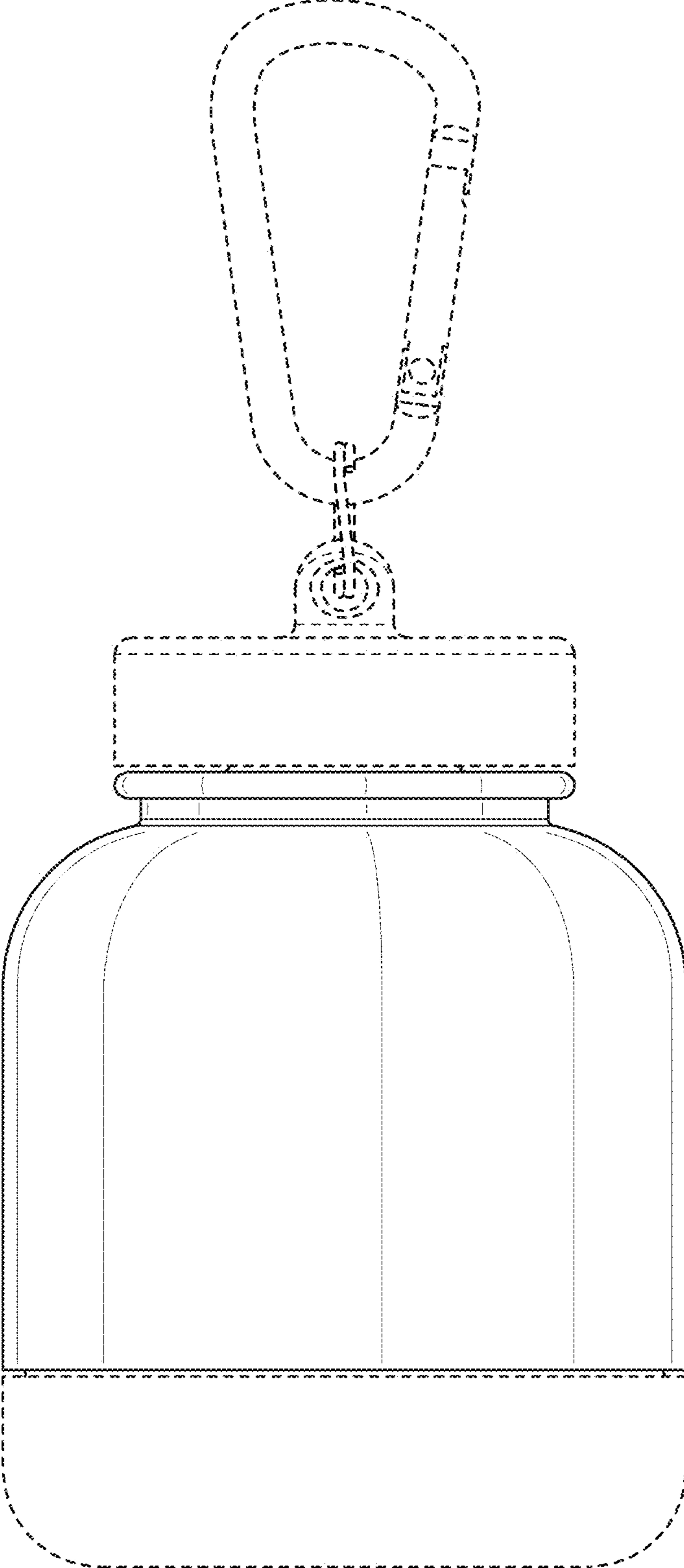


FIG. 3

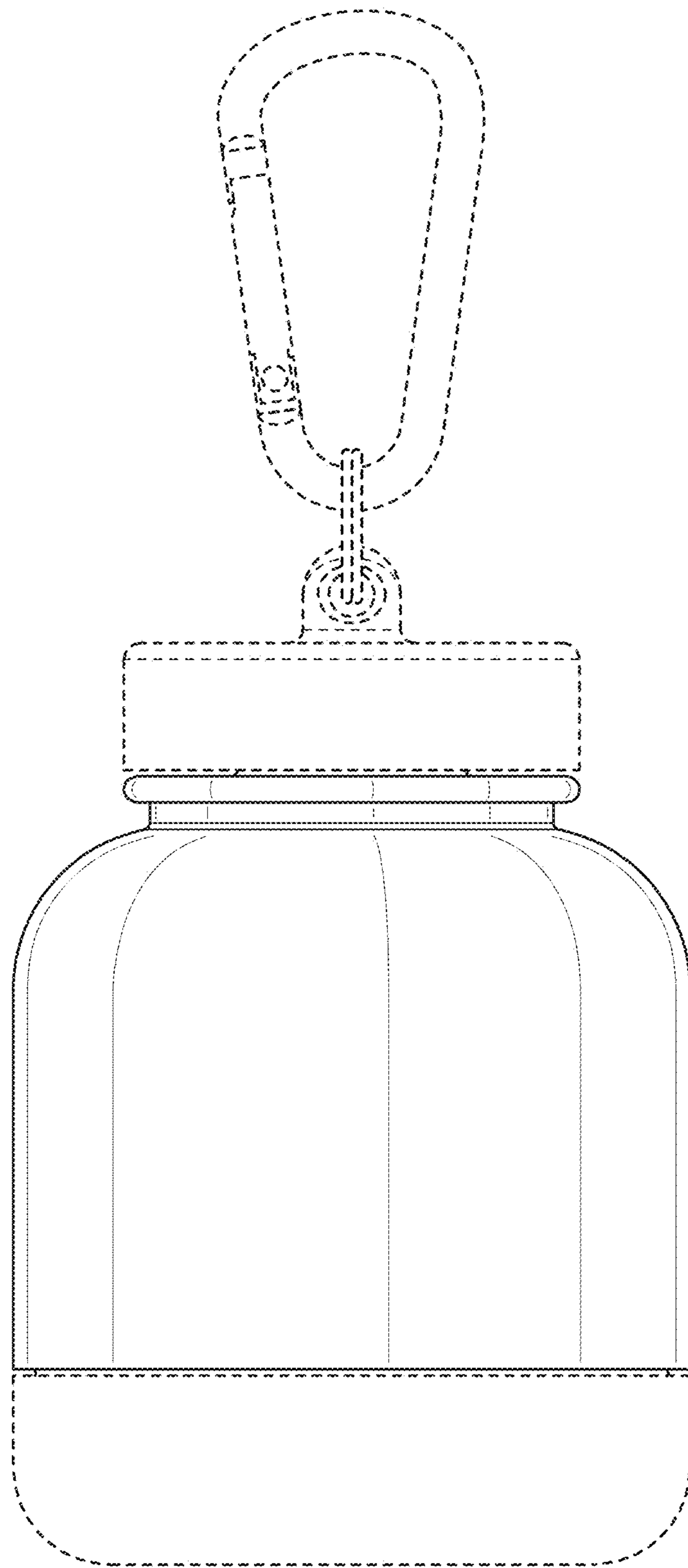


FIG. 4

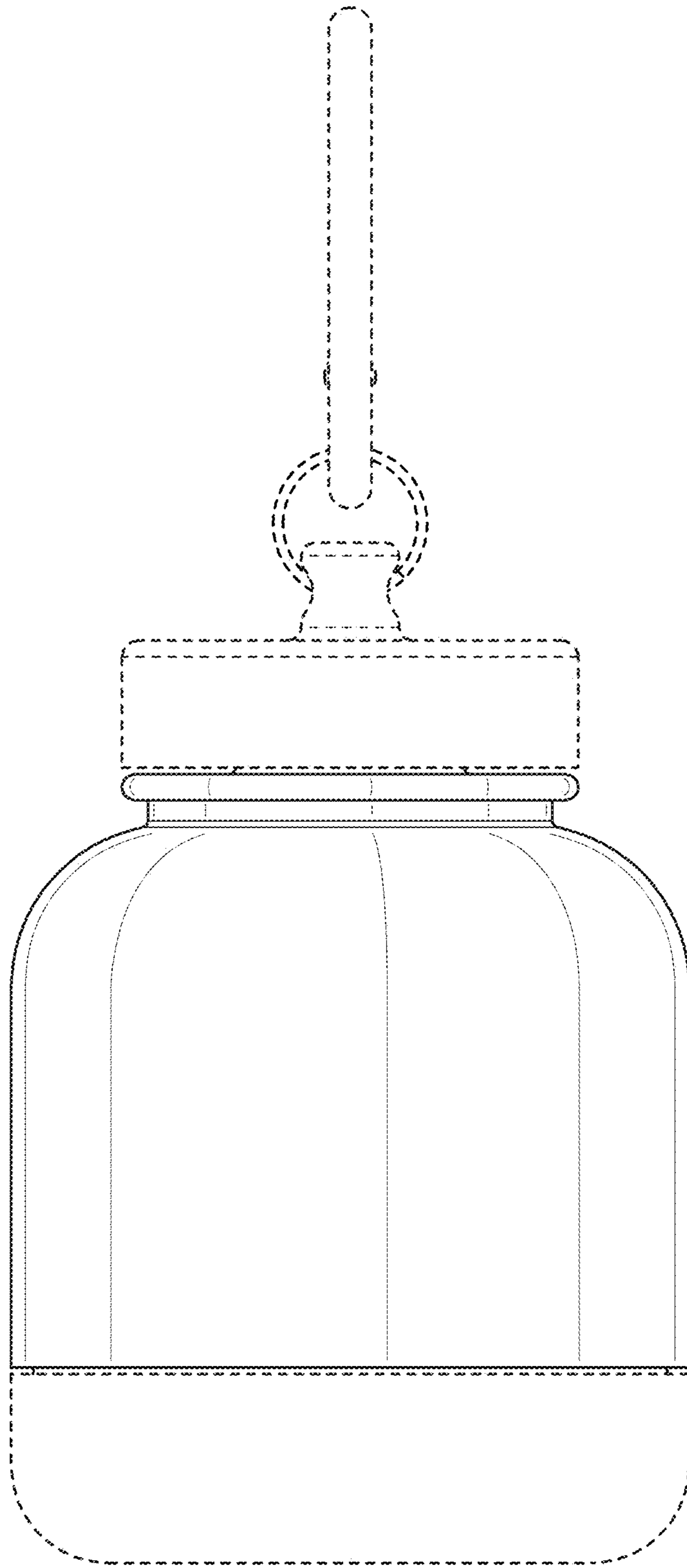


FIG. 5

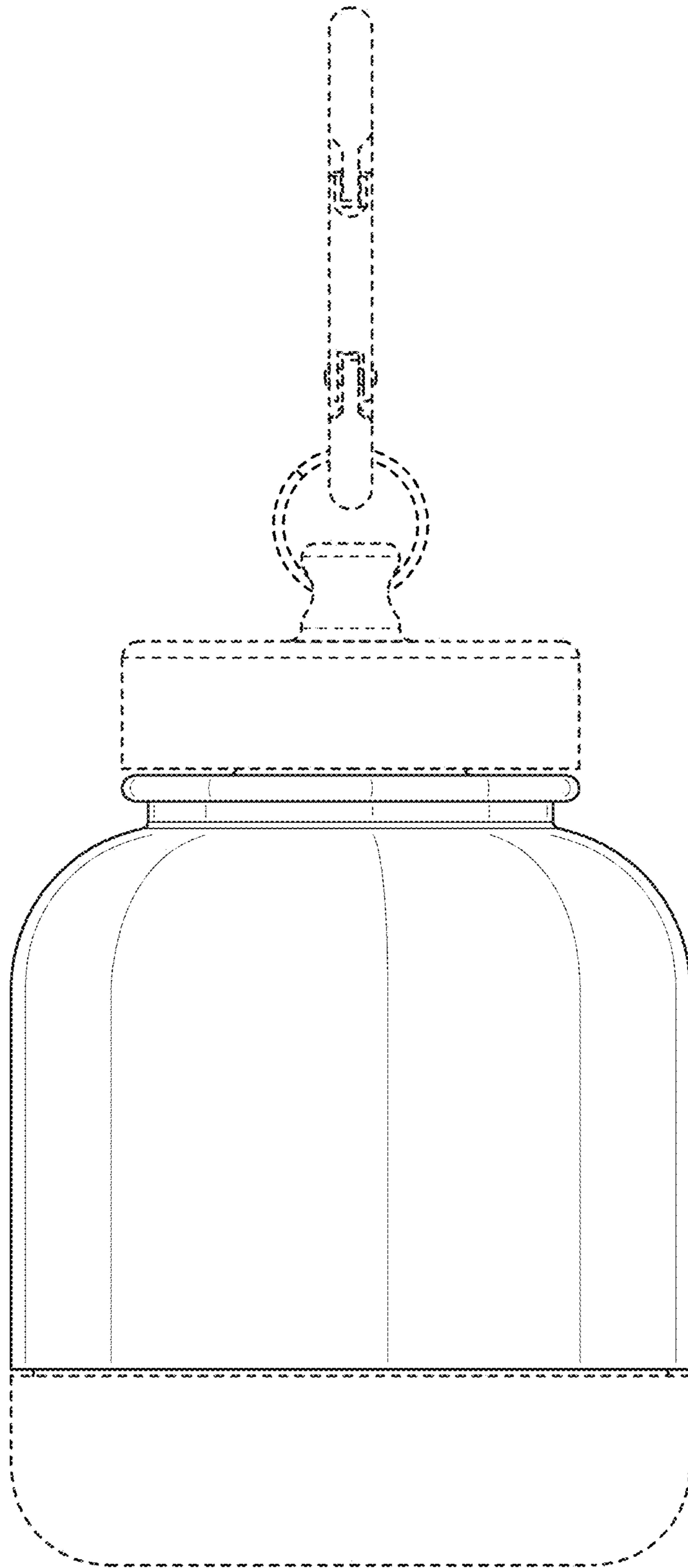


FIG. 6

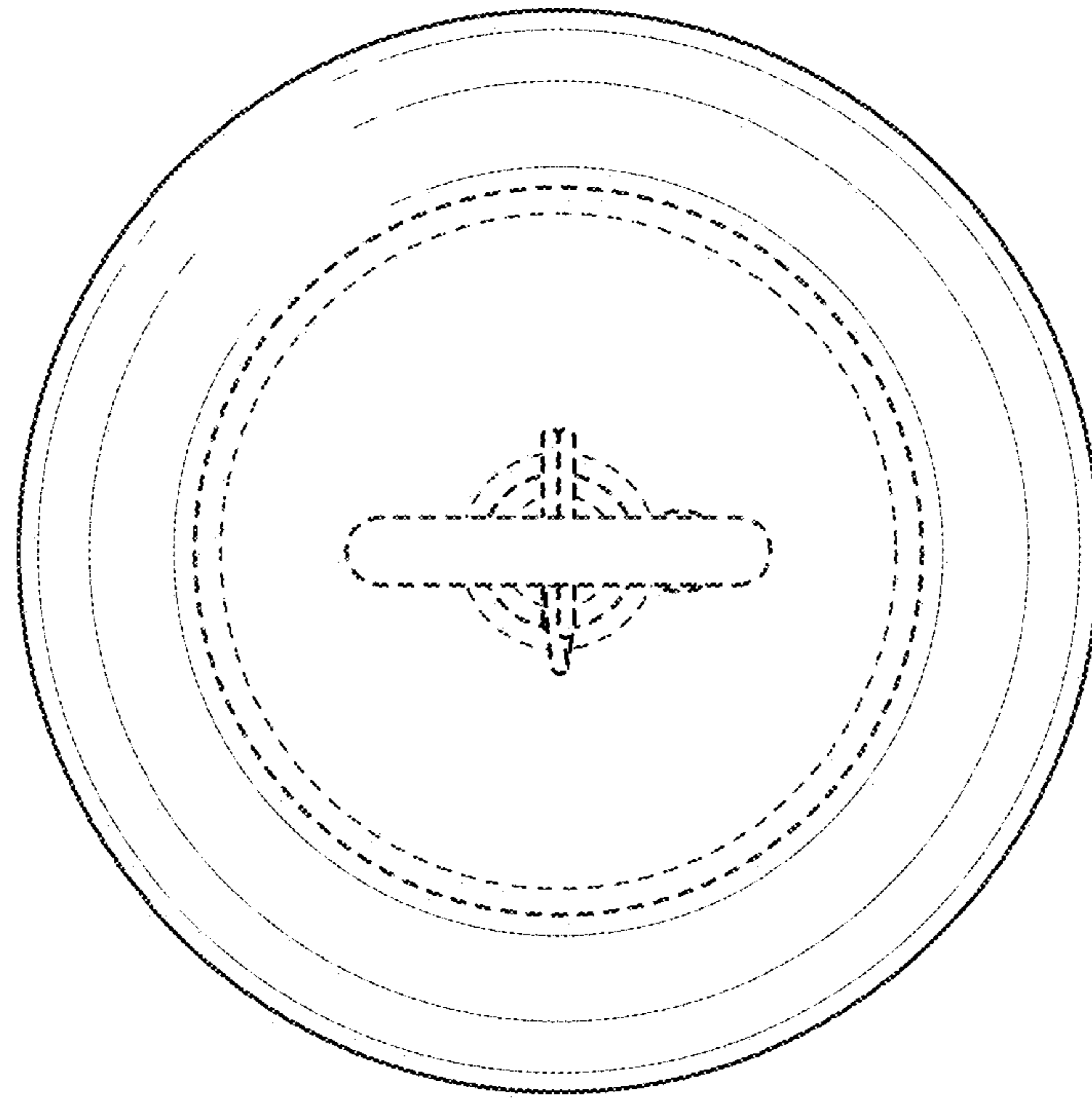


FIG. 7

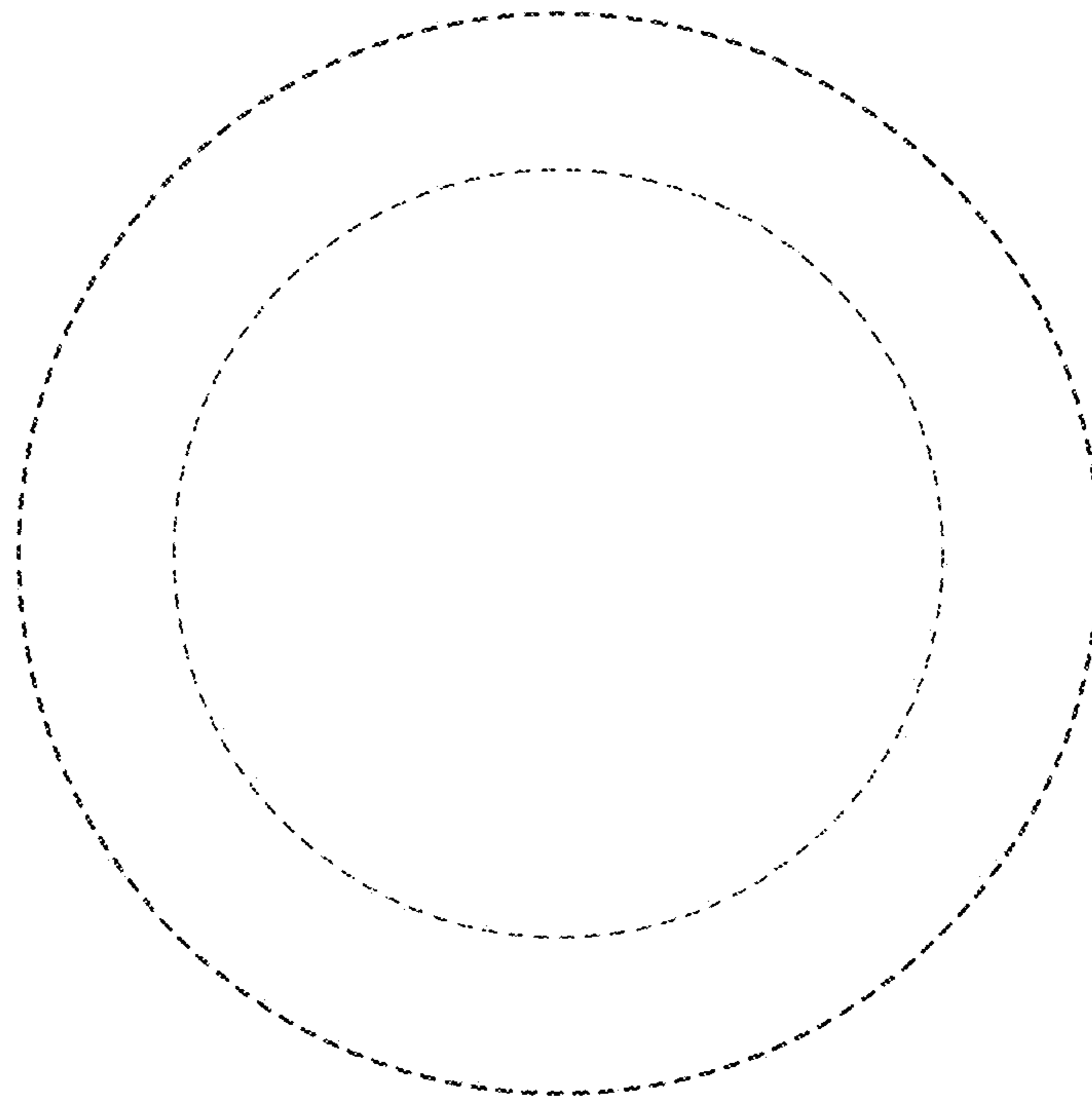


FIG. 8

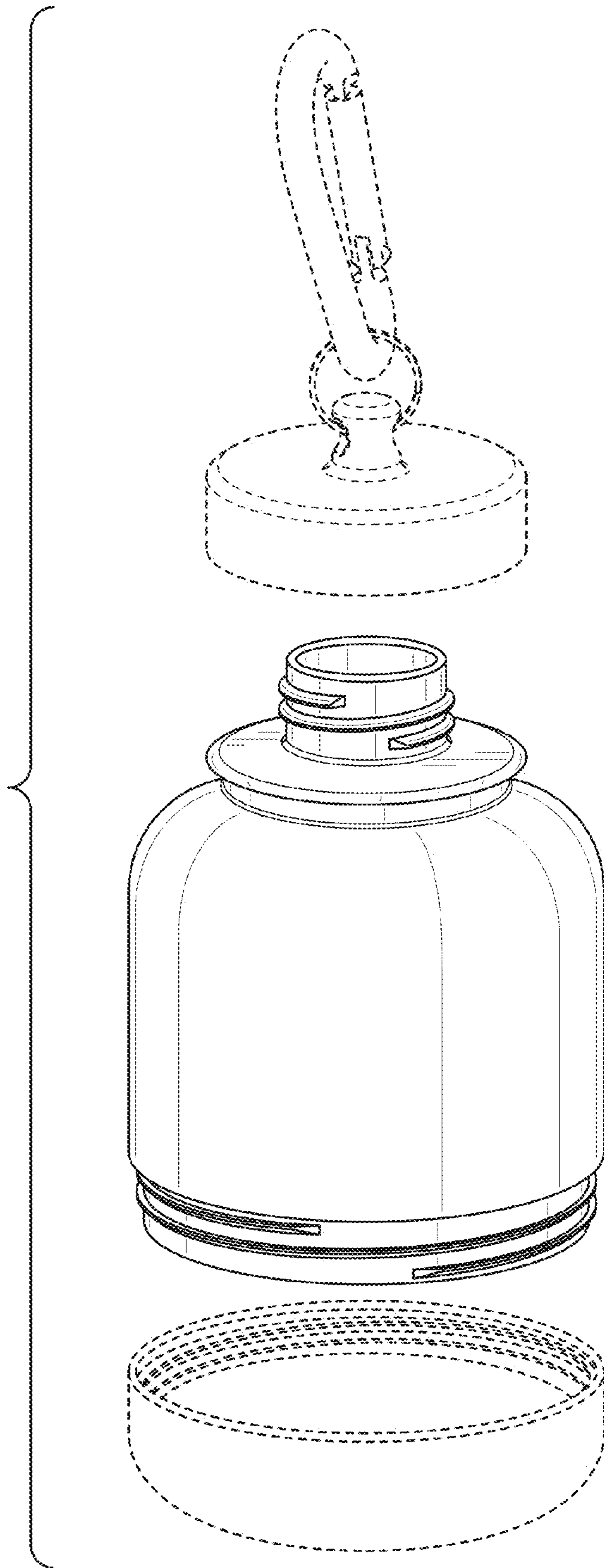


FIG. 9

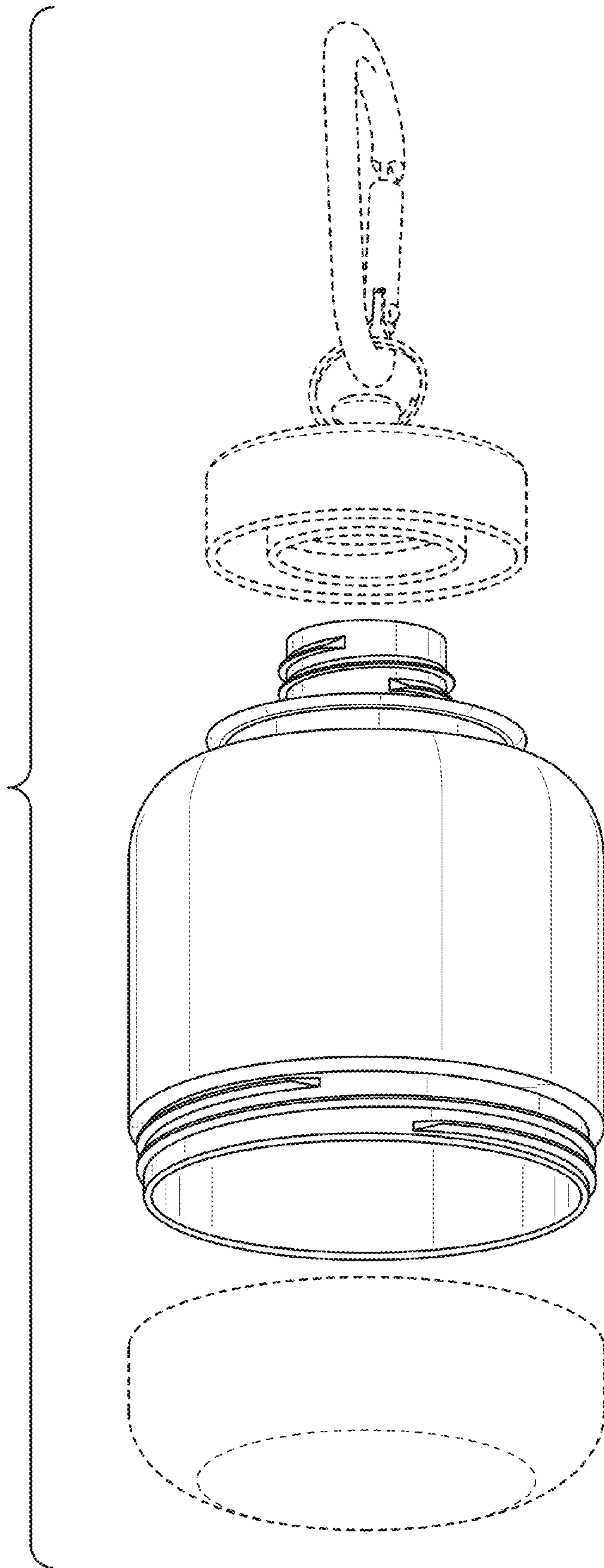


FIG. 10