



US00D959985S

(12) **United States Design Patent**  
**Dwyer**

(10) **Patent No.:** **US D959,985 S**

(45) **Date of Patent:** **\*\* Aug. 9, 2022**

(54) **BOTTLE**

(71) Applicant: **ETS Express, LLC**, Oxnard, CA (US)

(72) Inventor: **Tara Nicole Dwyer**, Ventura, CA (US)

(73) Assignee: **ETS Express, LLC**, Oxnard, CA (US)

(\*\*) Term: **15 Years**

(21) Appl. No.: **29/758,372**

(22) Filed: **Nov. 13, 2020**

(51) **LOC (13) Cl.** ..... **09-01**

(52) **U.S. Cl.**  
USPC ..... **D9/500**

(58) **Field of Classification Search**

USPC ..... D9/434, 454, 500, 502-504, 516, 530,  
D9/537, 539-540, 549, 558, 575, 645,  
D9/682, 686, 690, 693, 715, 719  
CPC ..... B65D 1/00; B65D 1/02; B65D 1/0223;  
B65D 2501/00; B65D 2501/0009; A45D  
34/042; A45D 34/045

See application file for complete search history.

(56) **References Cited**

**U.S. PATENT DOCUMENTS**

D175,598 S \* 9/1955 Hills ..... D7/590  
D196,455 S \* 10/1963 Stern ..... D9/504  
D197,308 S \* 1/1964 Sterges ..... D9/502  
D218,285 S \* 8/1970 Klensch ..... D9/503  
D234,998 S \* 4/1975 Achenbach ..... D7/598

D284,451 S \* 7/1986 Fortuna ..... D9/443  
D659,540 S \* 5/2012 Bakic ..... D9/503  
D814,931 S \* 4/2018 Alima ..... D9/504  
D844,440 S \* 4/2019 Allen, III ..... D9/504  
D859,990 S \* 9/2019 Neset ..... D9/504  
D913,097 S \* 3/2021 Alima ..... D9/500

\* cited by examiner

*Primary Examiner* — Dana Meyrow

(74) *Attorney, Agent, or Firm* — McInnes & McLane,  
LLP

(57) **CLAIM**

The ornamental design for a bottle, as shown and described.

**DESCRIPTION**

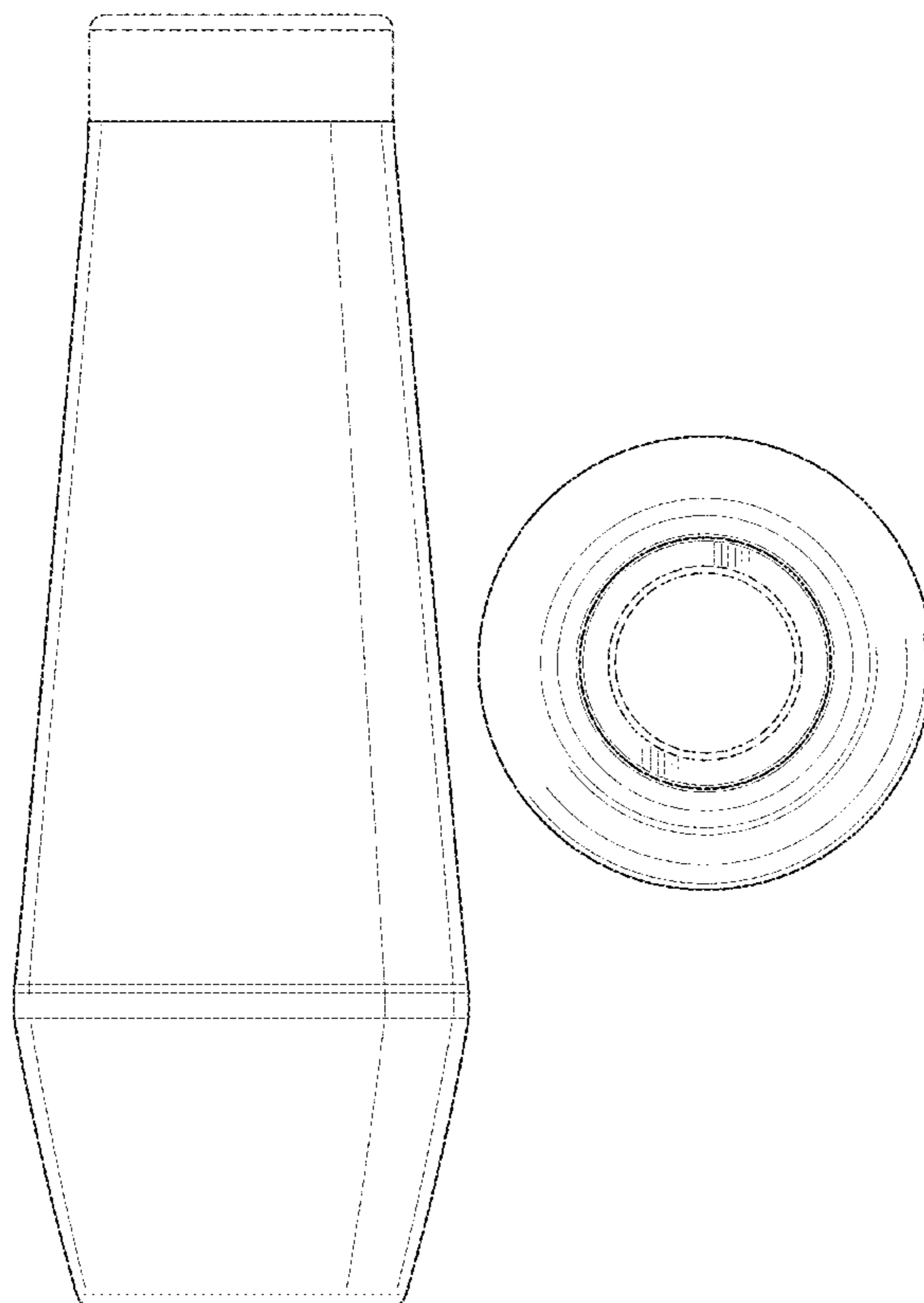
FIG. 1 is a perspective view of a bottle showing my new design;  
FIG. 2 is a left side elevational view of the bottle of FIG. 1;  
FIG. 3 is a right side elevational view of the bottle of FIG. 1;

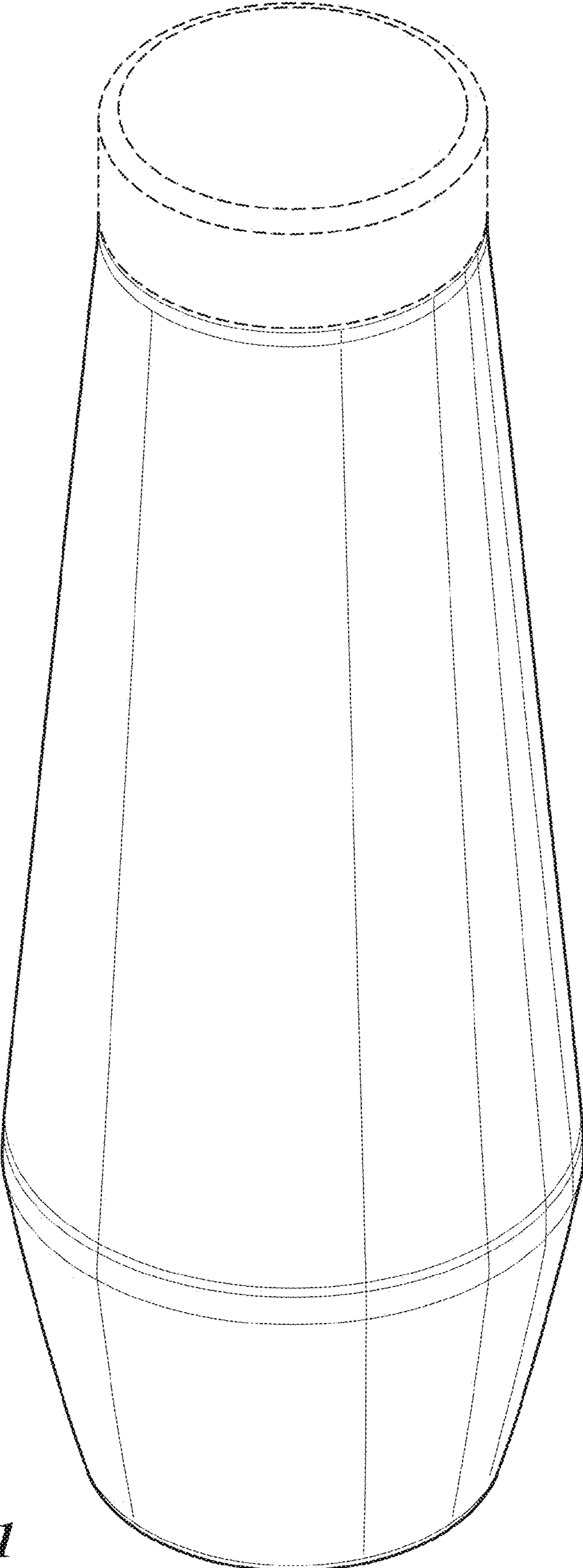
FIG. 4 is a front elevational view of the bottle of FIG. 1;  
FIG. 5 is a rear elevational view of the bottle of FIG. 1;  
FIG. 6 is a top plan view of the bottle of FIG. 1; and,  
FIG. 7 is a bottom plan view of the bottle of FIG. 1.

The broken lines in the drawings illustrate the portions of the bottle that form no part of the claimed design.

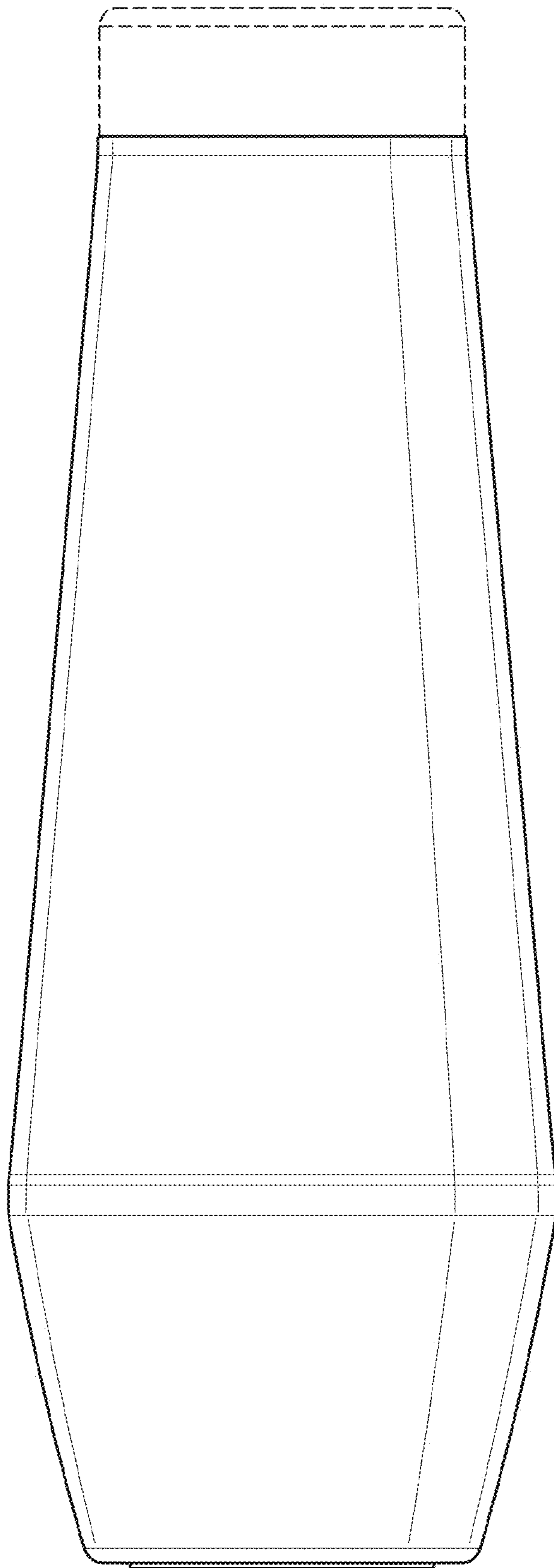
The drawings include surface shading that represents contour and not surface ornamentation.

**1 Claim, 6 Drawing Sheets**

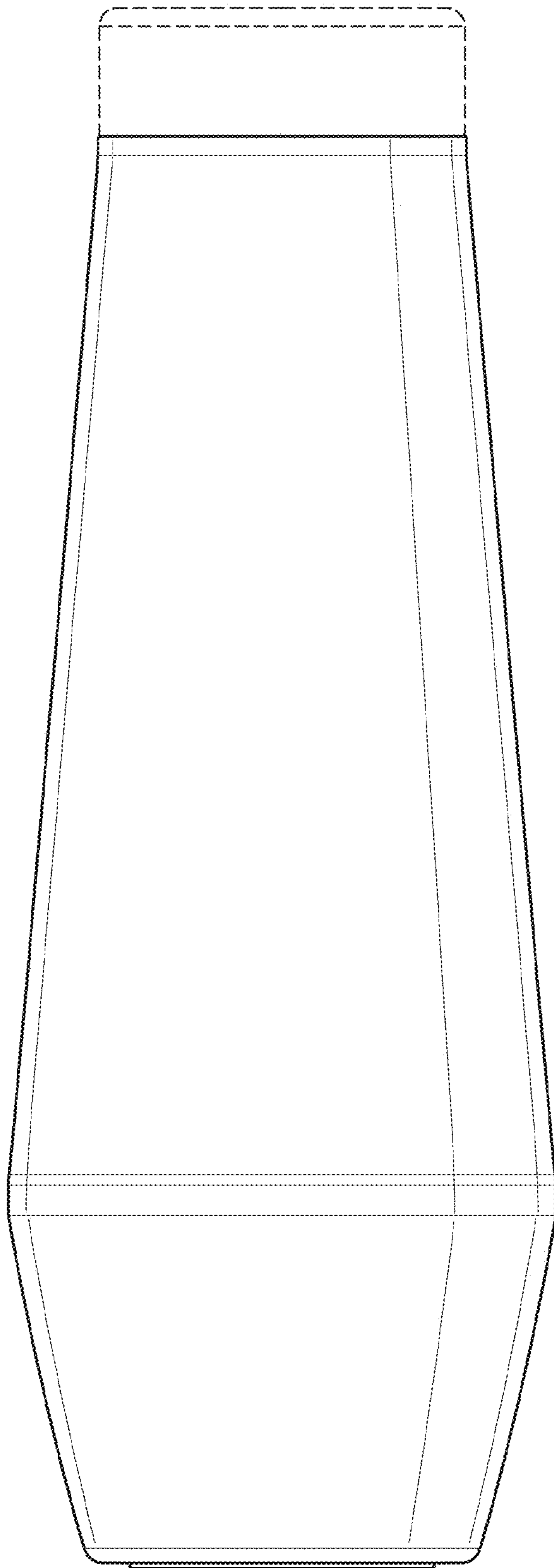




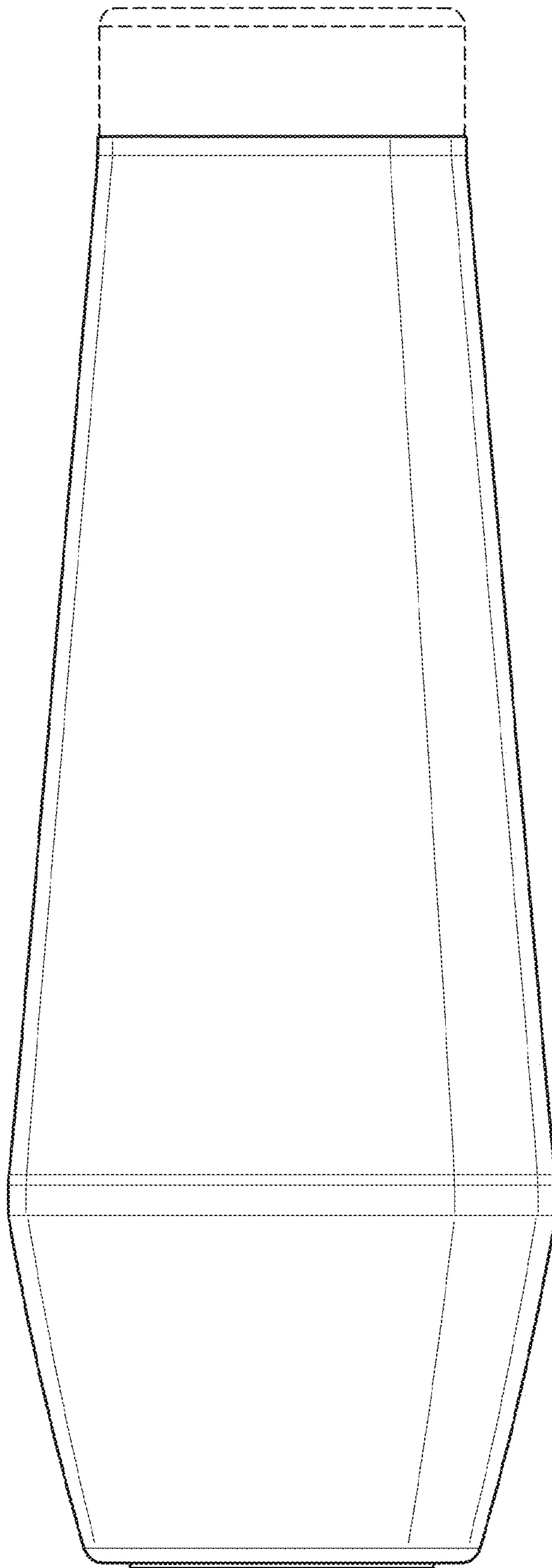
**FIG. 1**



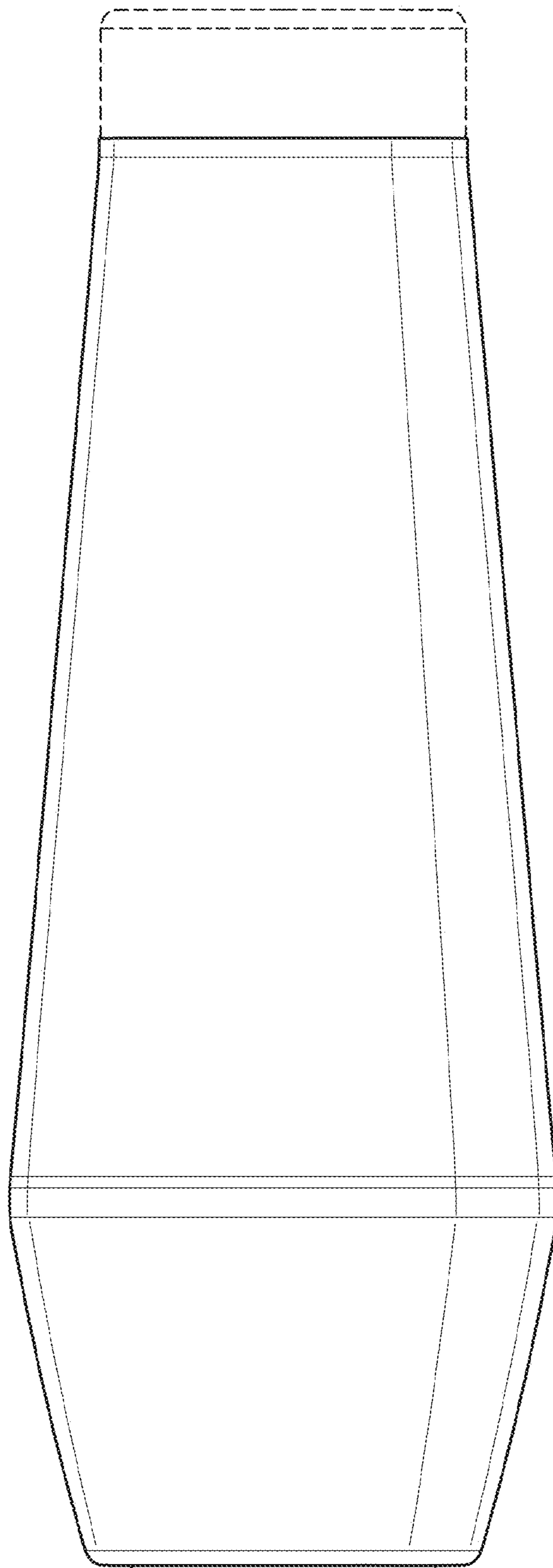
**FIG. 2**



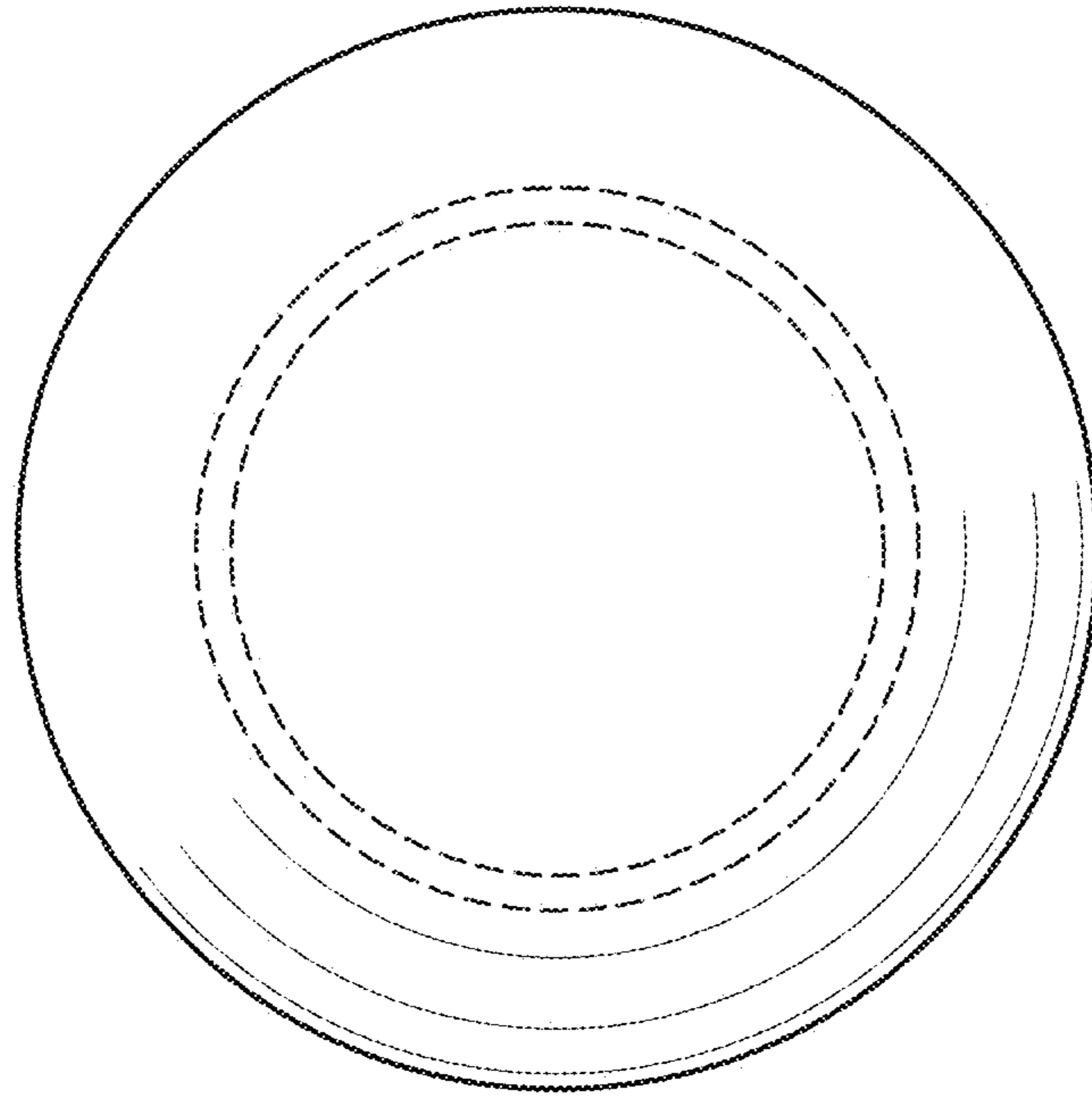
**FIG. 3**



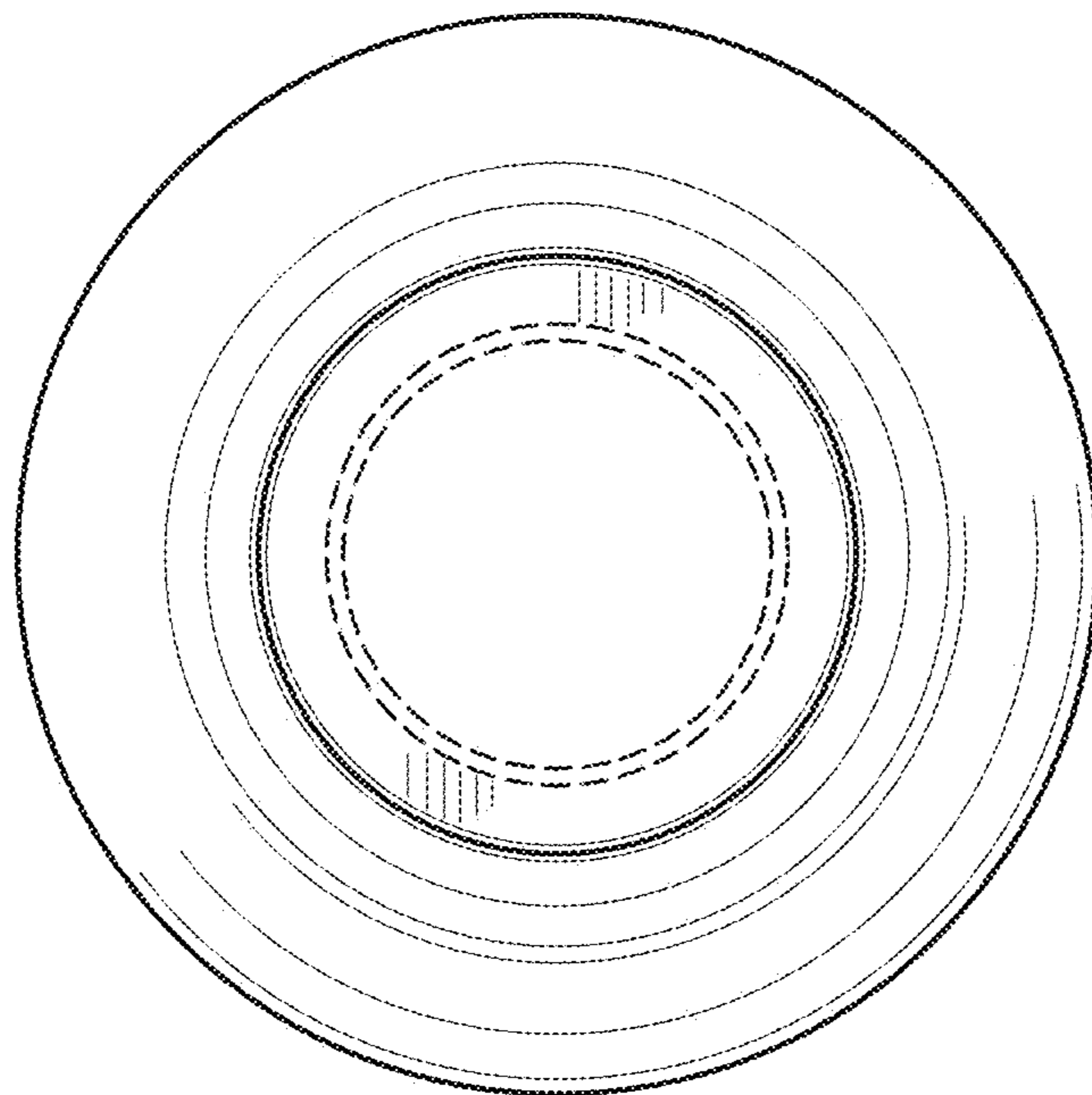
*FIG. 4*



**FIG. 5**



*FIG. 6*



*FIG. 7*