



US00D959983S

(12) **United States Design Patent**
Nervo et al.

(10) **Patent No.:** **US D959,983 S**

(45) **Date of Patent:** **** Aug. 9, 2022**

(54) **SPRAYING HEAD FOR DOSING AND DISPENSING DEVICE**

(71) Applicant: **Dispensing Technologies B.V.**,
Eindhoven (NL)

(72) Inventors: **Paulo Nervo**, Eindhoven (NL); **Dennis Van Melick**, Eindhoven (NL)

(**) Term: **15 Years**

(21) Appl. No.: **35/511,802**

(22) Filed: **Nov. 5, 2020**

(80) **Hague Agreement Data**

Int. Filing Date: **Nov. 5, 2020**

Int. Reg. No.: **DM/211210**

Int. Reg. Date: **Nov. 5, 2020**

Int. Reg. Pub. Date: **May 7, 2021**

(51) **LOC (13) Cl.** **09-07**

(52) **U.S. Cl.**
USPC **D9/448**

(58) **Field of Classification Search**
USPC D9/682, 685, 689, 448
CPC . B05B 11/00; B05B 11/3059; B05B 11/3057;
B05B 11/3009; B05B 11/3011; B05B
11/0078; B05B 11/3004; B05B 11/3045;
B05B 11/3001; B65D 83/14; B65D
83/30; B65D 83/32; B65D 83/38; B65D
83/0033

See application file for complete search history.

(56) **References Cited**

U.S. PATENT DOCUMENTS

D208,735 S * 9/1967 Rahn et al. D9/689
D481,305 S * 10/2003 Walters D9/685

D698,660 S * 2/2014 Maas D9/689
D698,661 S * 2/2014 Maas D9/689
8,905,271 B2 * 12/2014 Maas B05B 9/0883
222/340
D790,342 S * 6/2017 Farrell D9/448
D830,194 S * 10/2018 Maas D9/689
D866,325 S * 11/2019 Tu D9/448
D867,135 S * 11/2019 Tu D9/448
D873,137 S * 1/2020 Takizawa D9/448
D918,730 S * 5/2021 Van Den Bergh D9/575
D921,486 S * 6/2021 Van Den Bergh D9/448
D944,644 S * 3/2022 Nervo D9/448

* cited by examiner

Primary Examiner — Michael A. Pratt

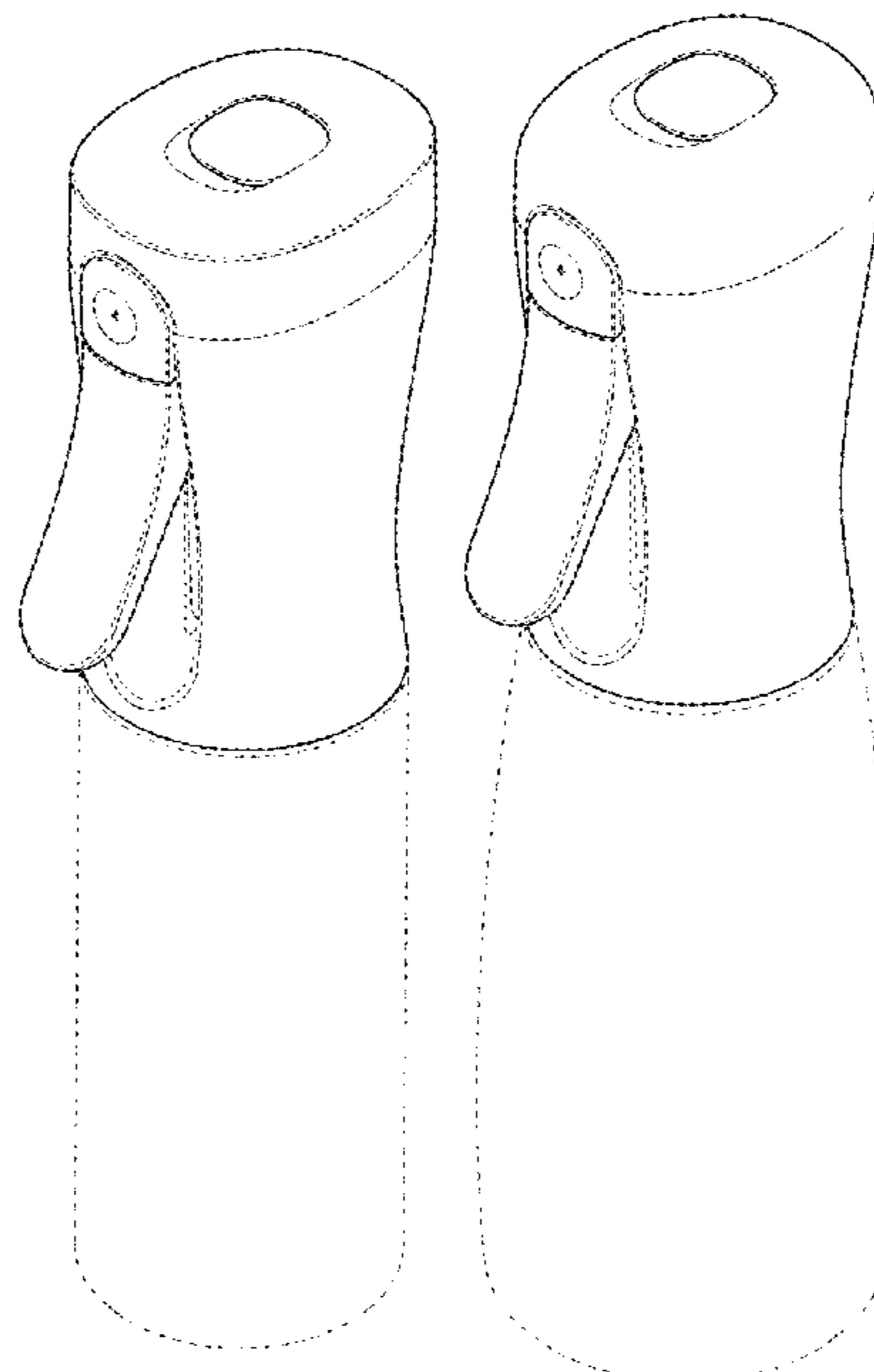
(57) **CLAIM**

The ornamental design for a spraying head for dosing and dispensing device, as shown and described.

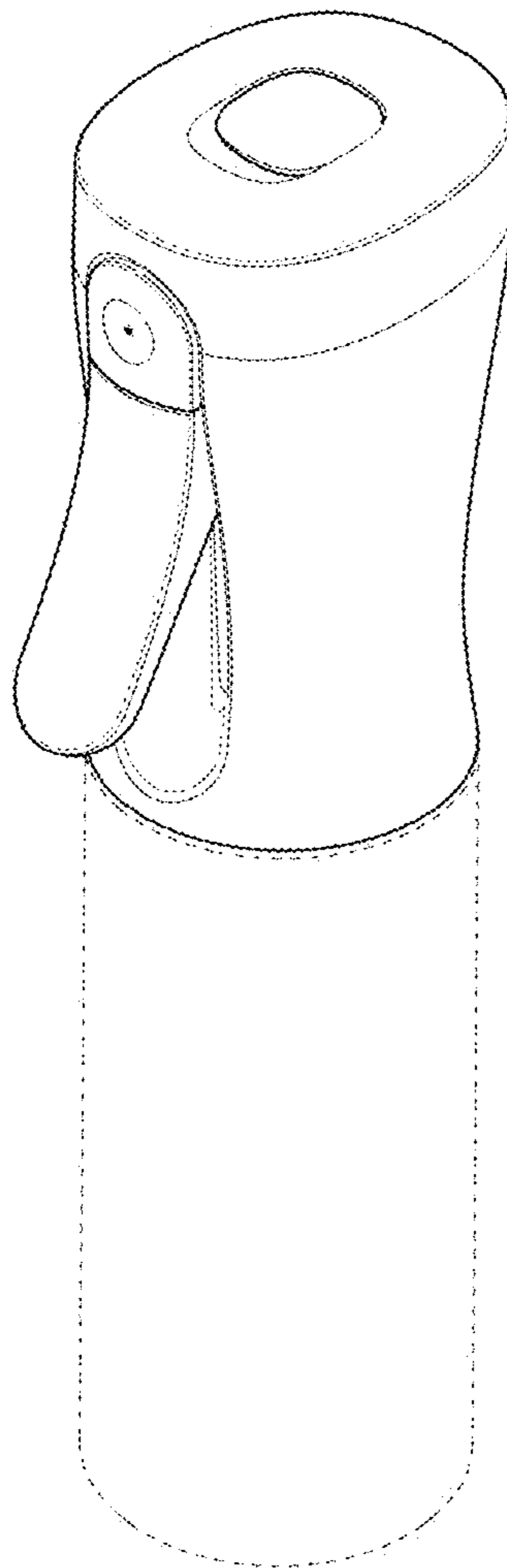
DESCRIPTION

- 1. Spraying head for dosing and dispensing device
 - 2. Spraying head for dosing and dispensing device
- Figure 1.1: Perspective
Figure 1.2: Front
Figure 1.3: Rear
Figure 1.4: Left
Figure 1.5: Right
Figure 1.6: Top
Figure 1.7: Bottom
Figure 2.1: Perspective
Figure 2.2: Front
Figure 2.3: Rear
Figure 2.4: Left
Figure 2.5: Right
Figure 2.6: Top
Figure 2.7: Bottom

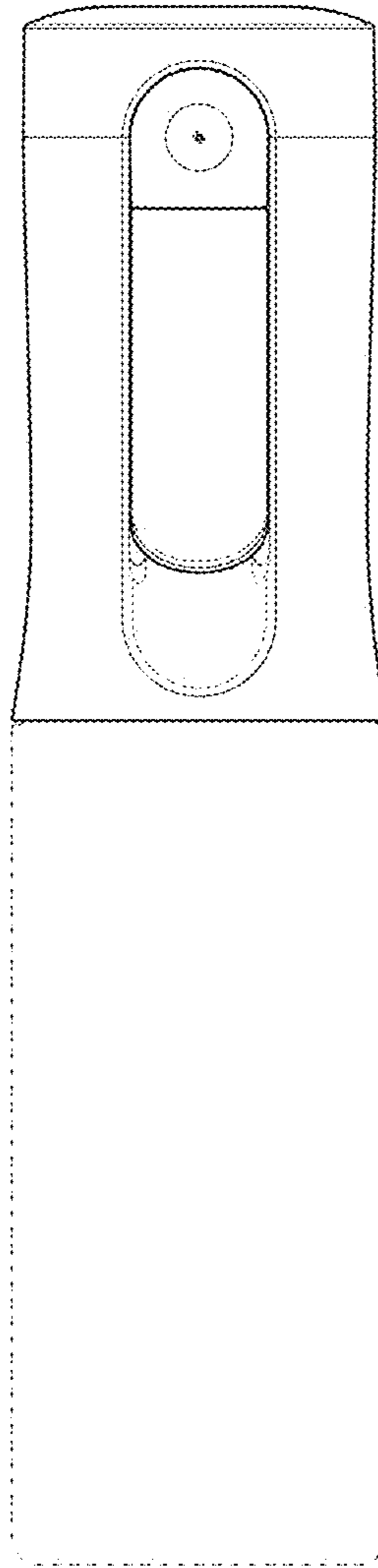
1 Claim, 14 Drawing Sheets



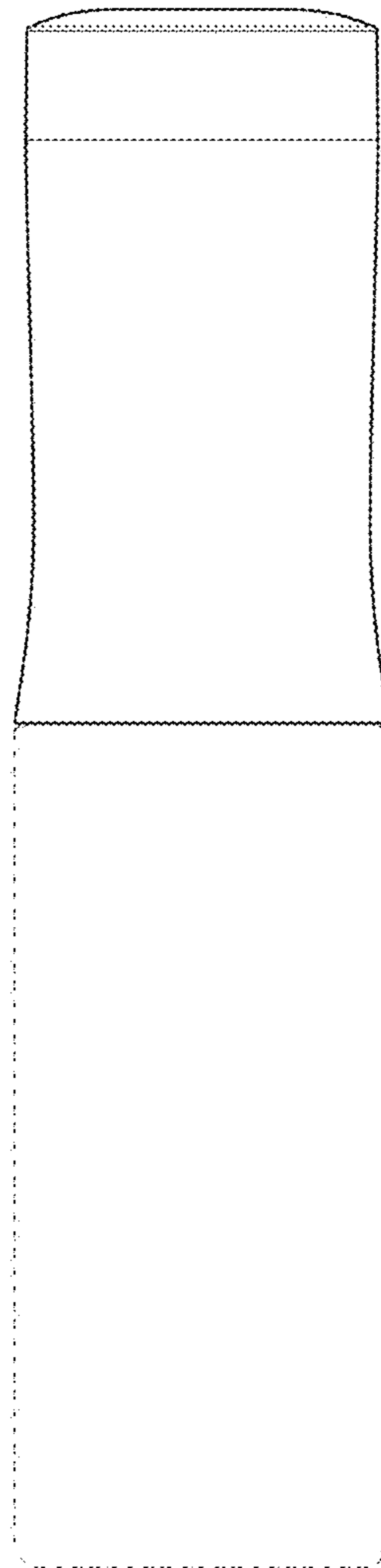
1.1



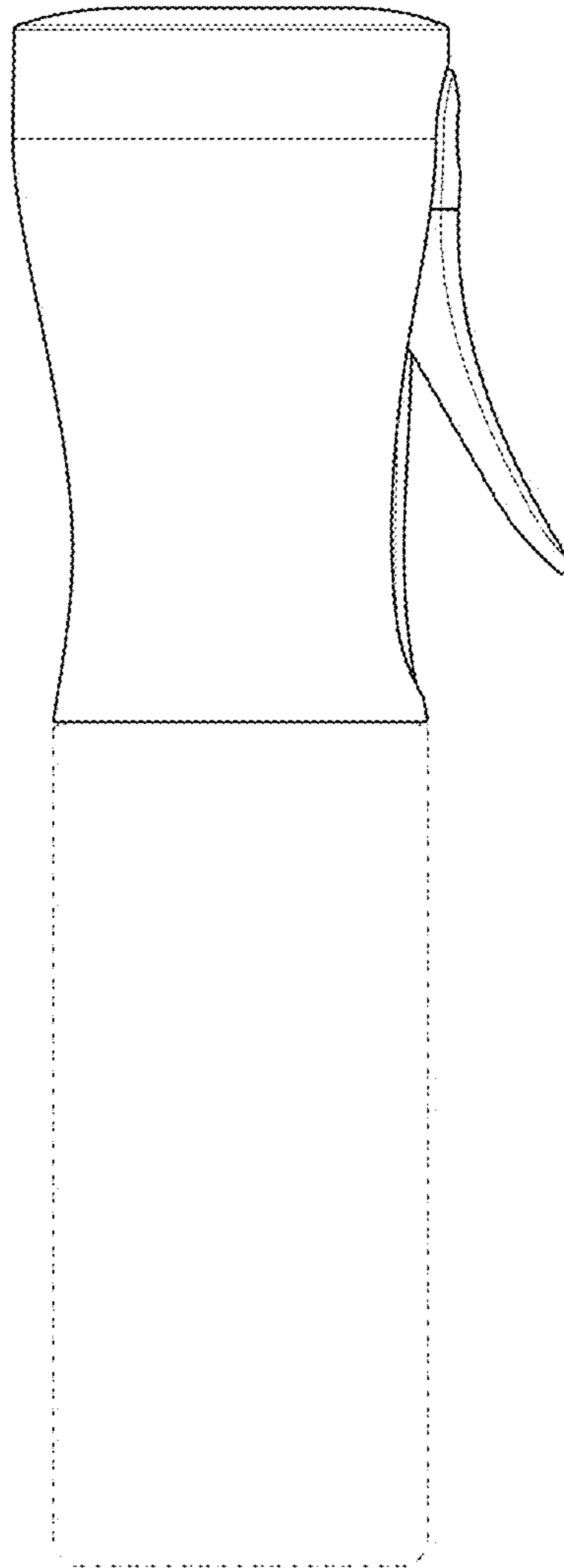
1.2



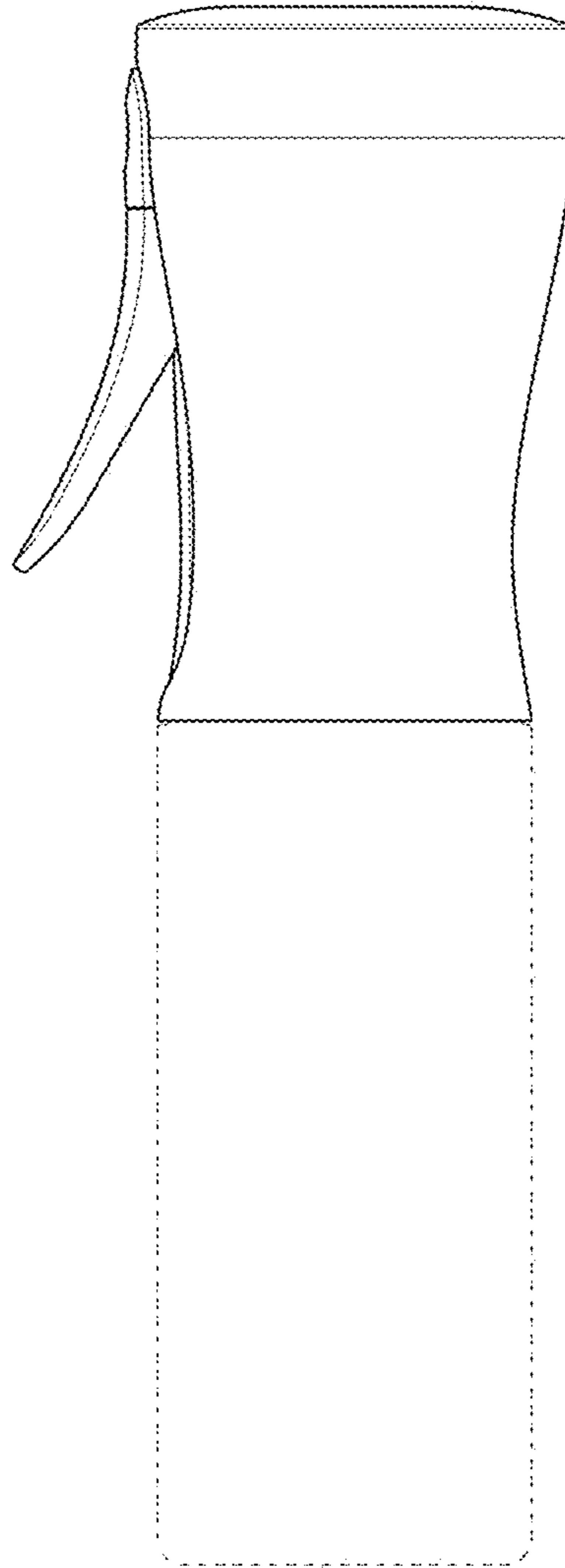
1.3



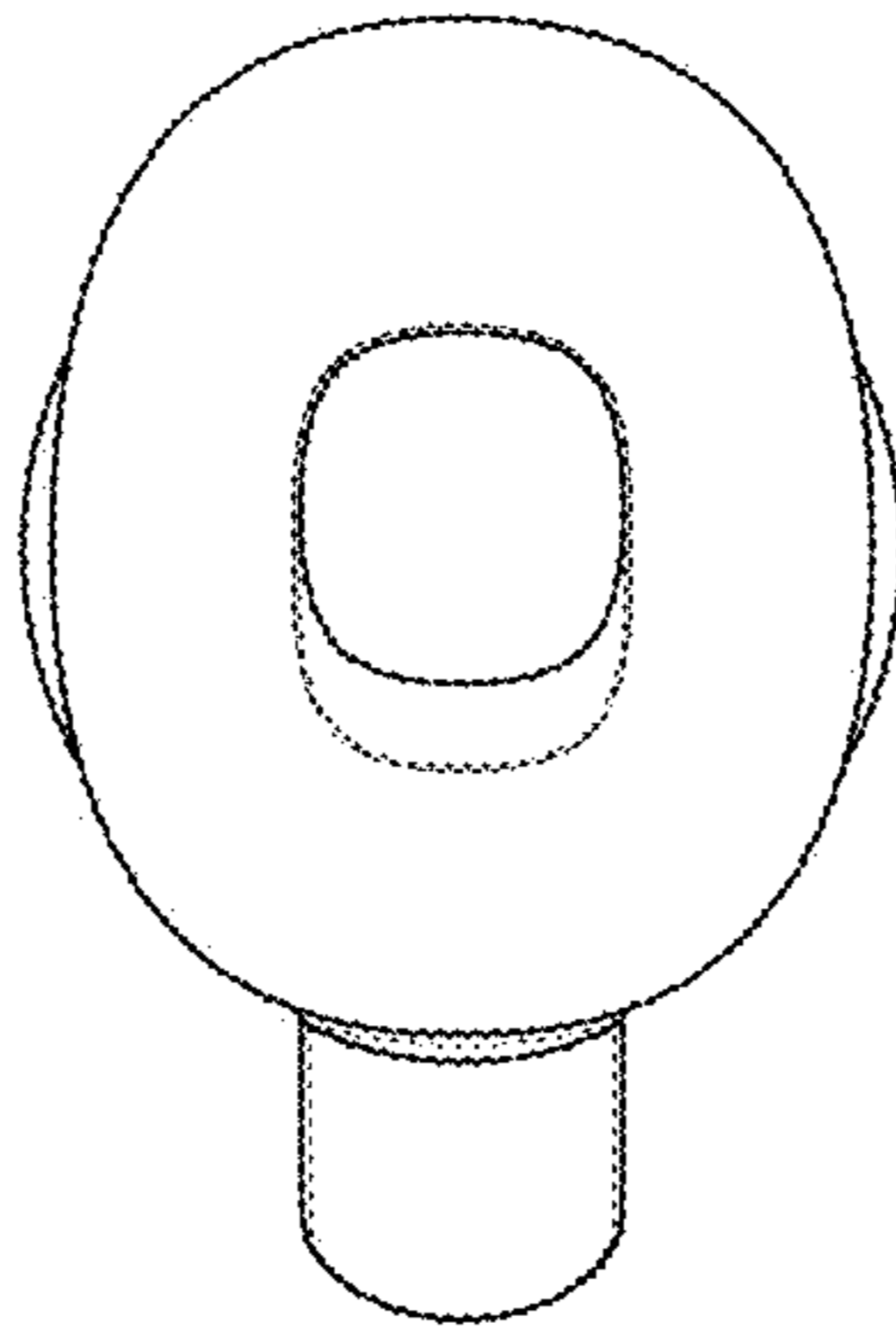
1.4



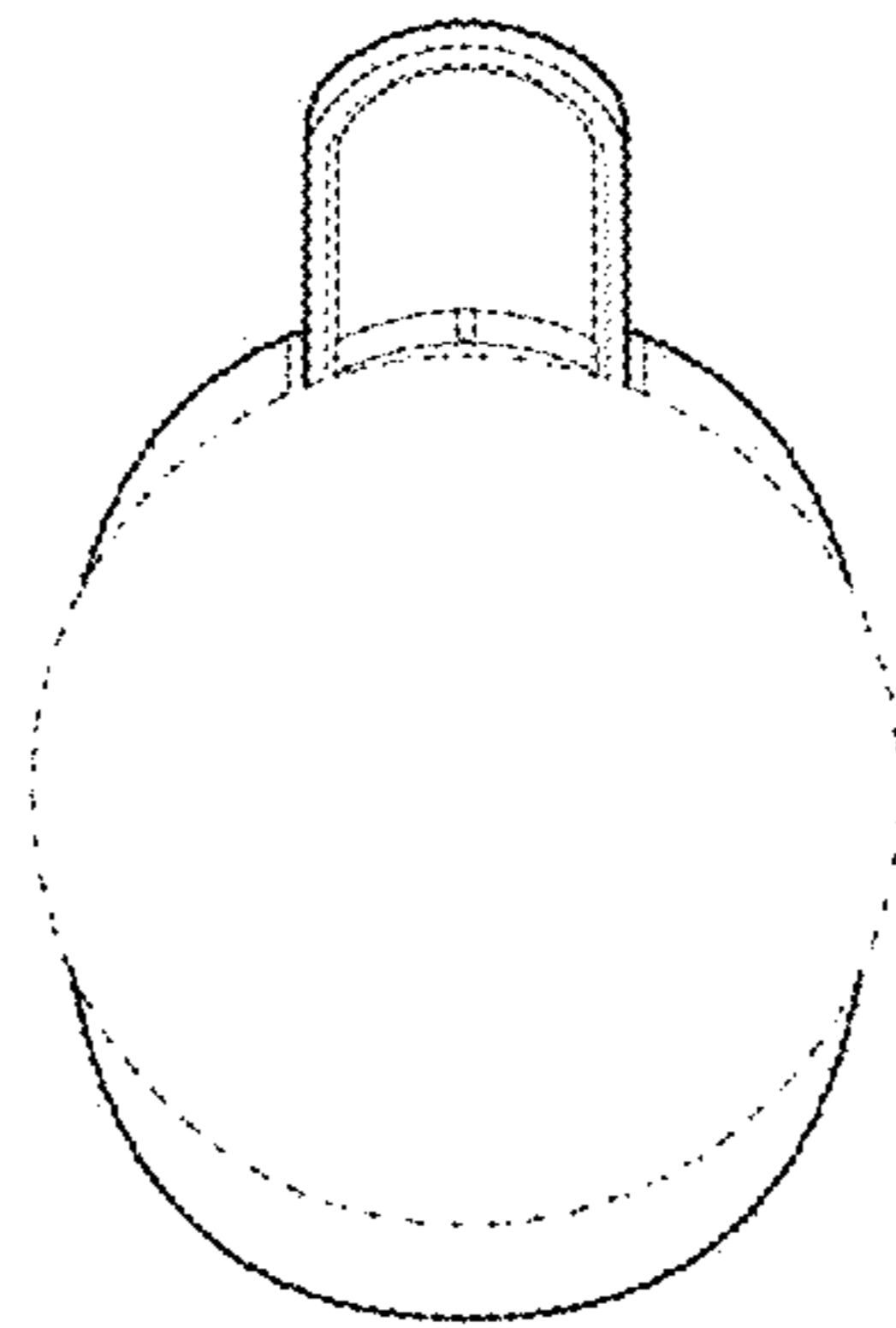
1.5



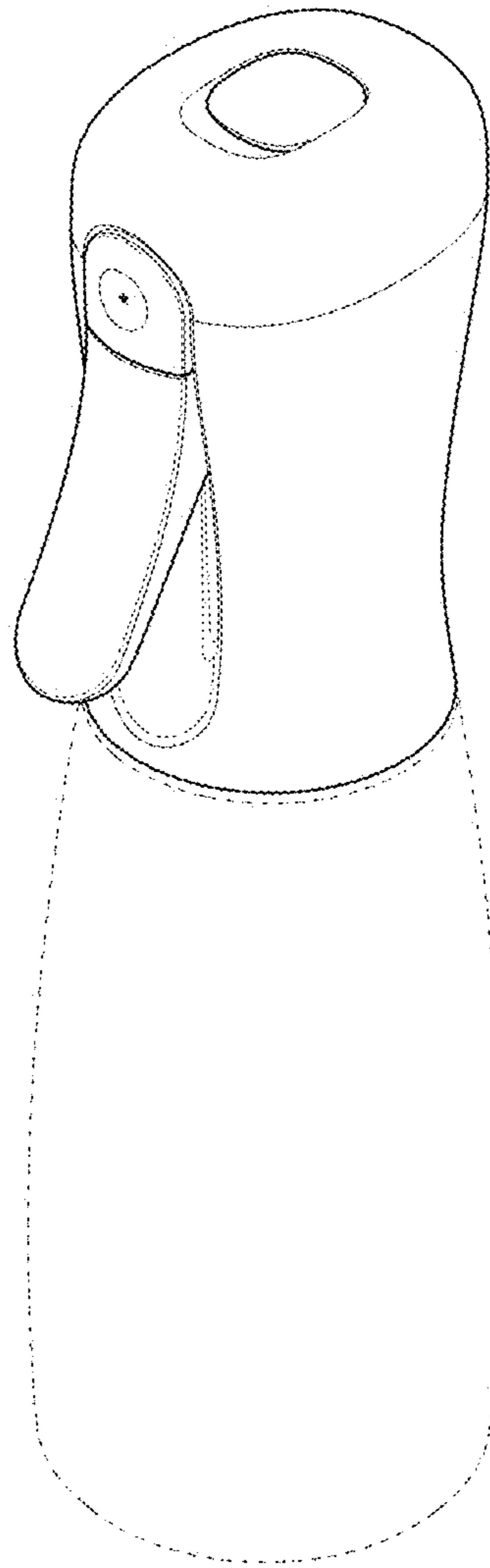
1.6



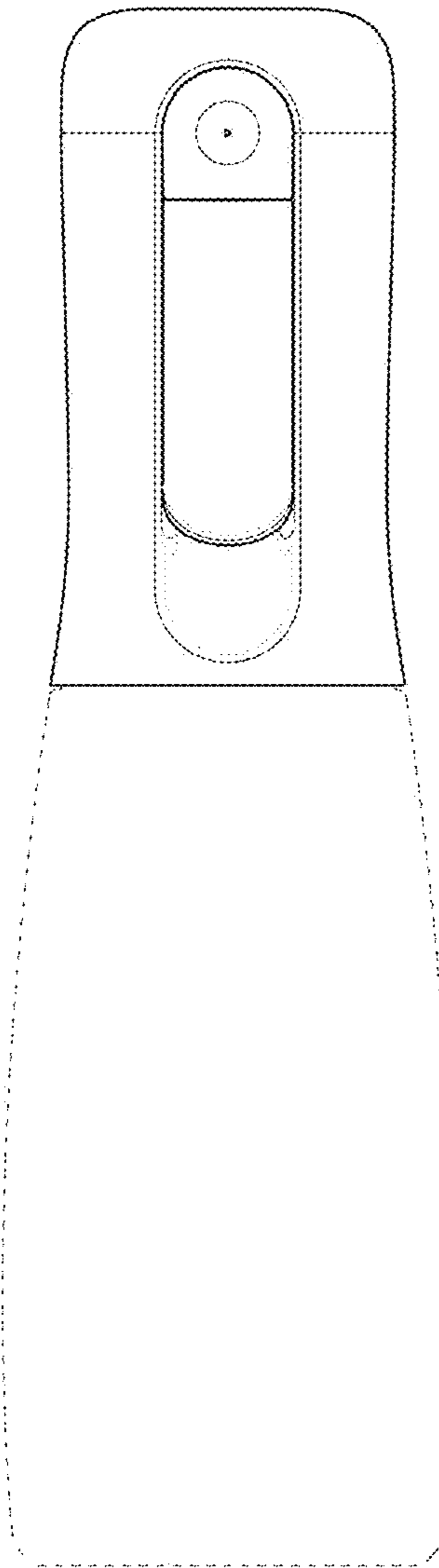
1.7



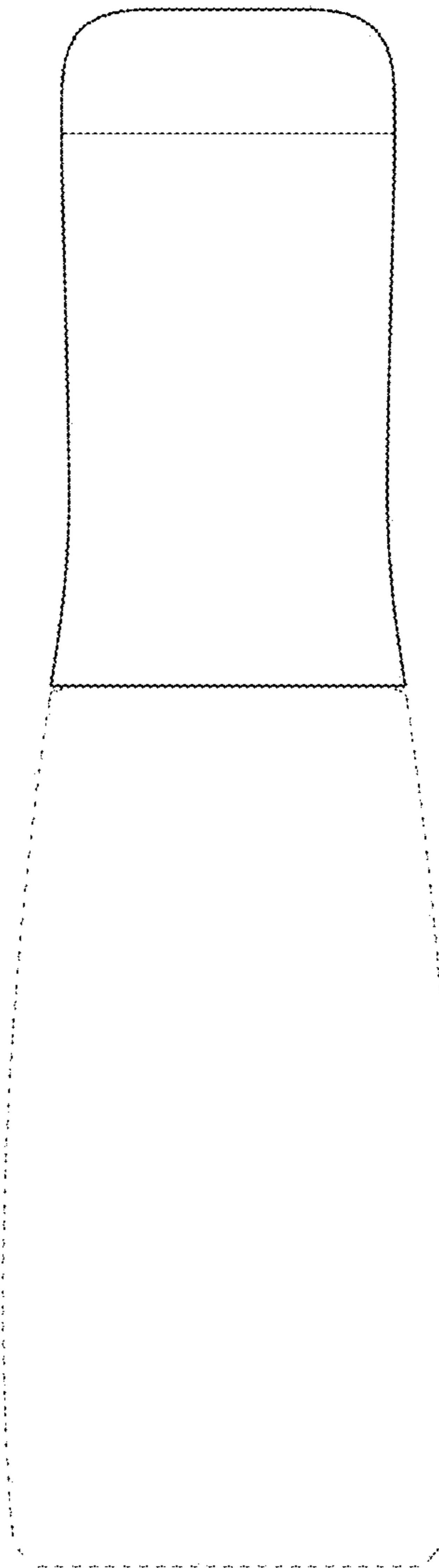
2.1



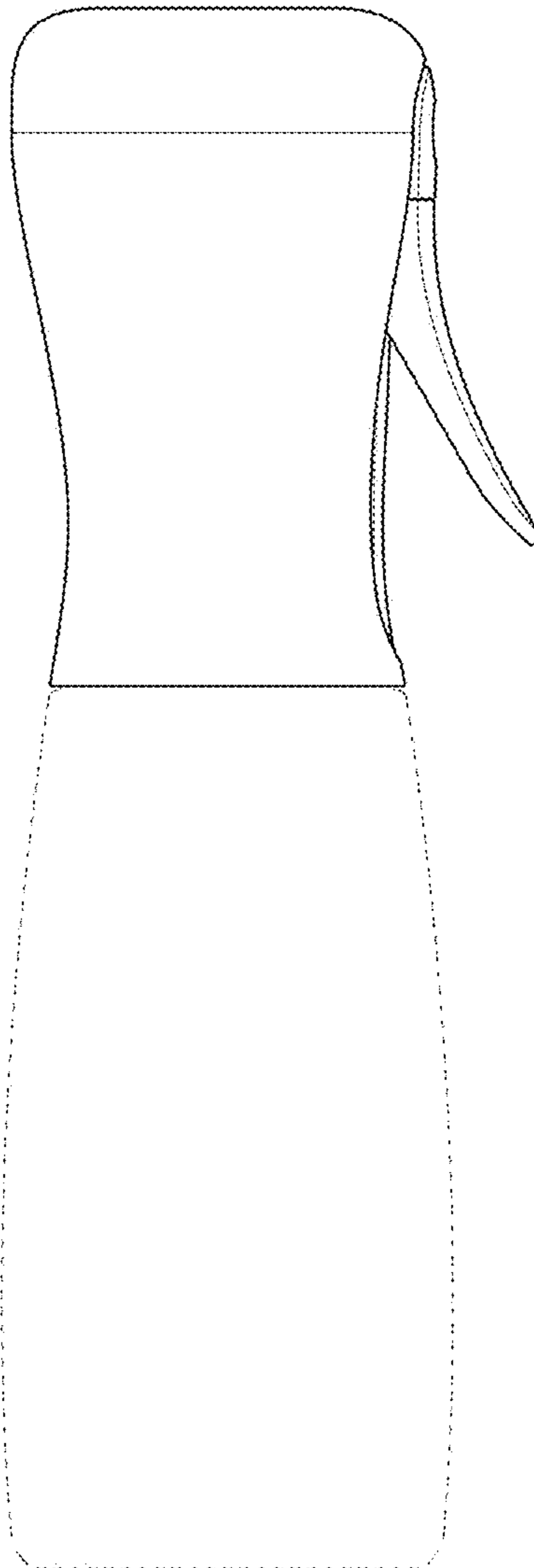
2.2



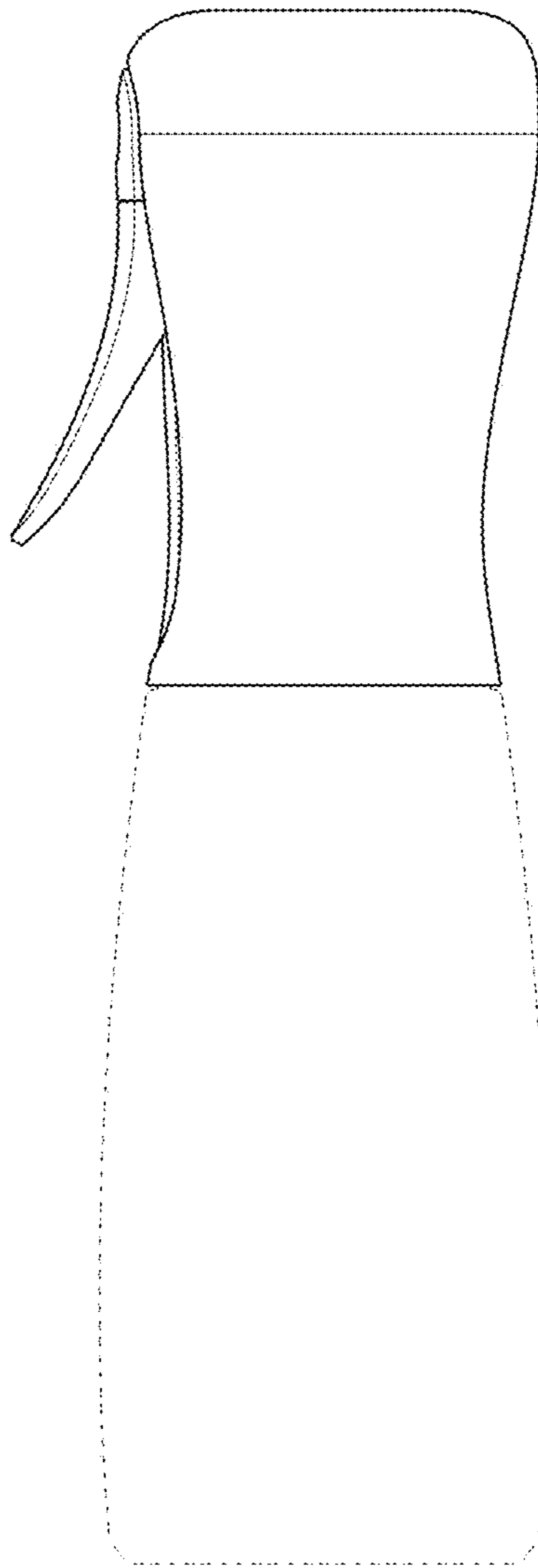
2.3



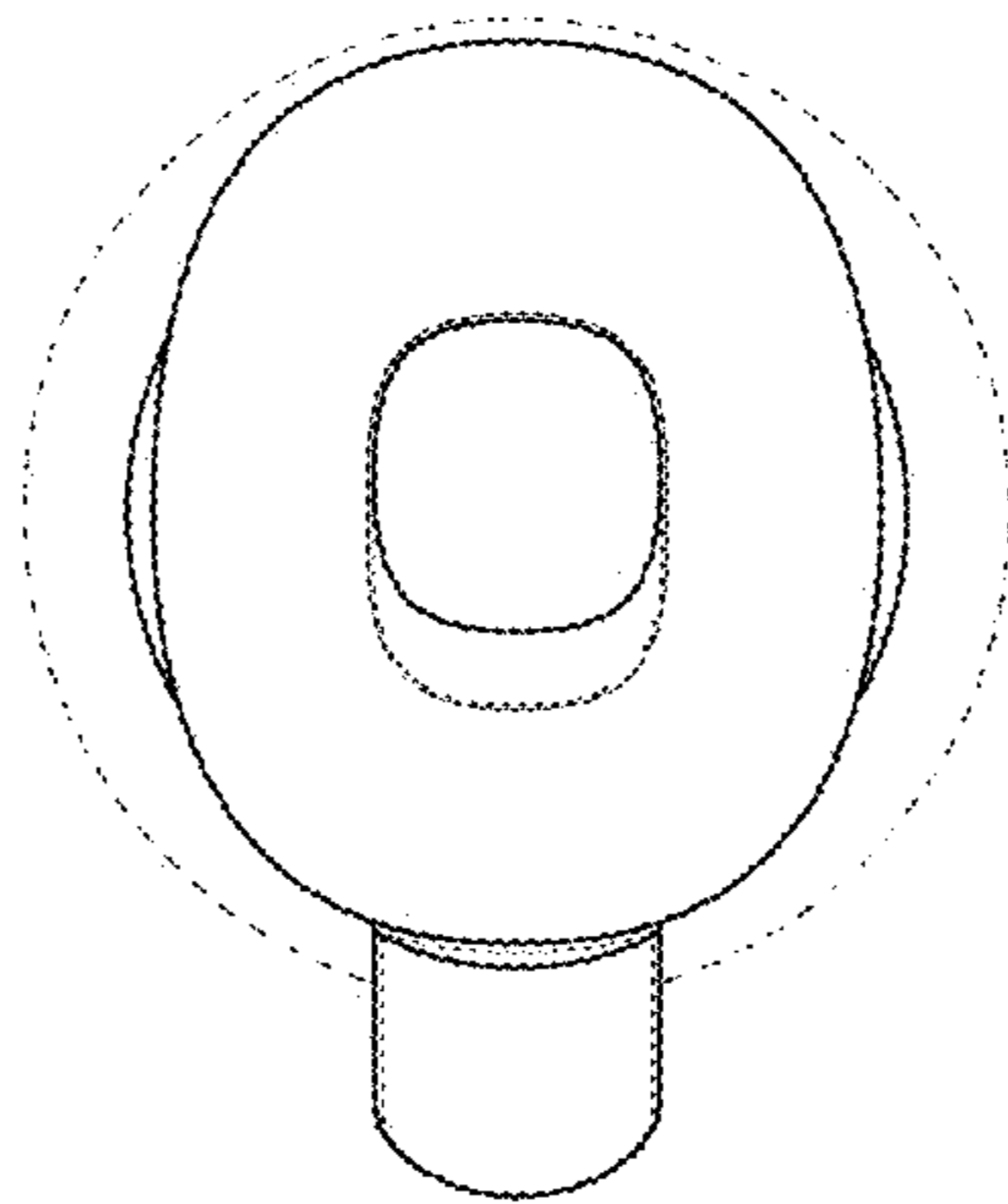
2.4



2.5



2.6



2.7

