



US00D959982S

(12) **United States Design Patent** (10) **Patent No.:** **US D959,982 S**
Xie (45) **Date of Patent:** **** *Aug. 9, 2022**

(54) **CUP LID**
(71) Applicant: **SHENZHEN BAOZHIXIA TECHNOLOGY CO., LTD.**, Shenzhen (CN)
(72) Inventor: **Zhixia Xie**, Guangdong (CN)
(73) Assignee: **SHENZHEN BAOZHIXIA TECHNOLOGY CO., LTD.**, Shenzhen (CN)

D216,953 S * 3/1970 Schuff D9/439
D247,549 S * 3/1978 Klees D9/439
D292,676 S * 11/1987 Mileto D9/454
D381,268 S * 7/1997 Rush D9/452
D383,275 S * 9/1997 Hebert D32/54
D567,085 S * 4/2008 Rim D9/439
D700,513 S * 3/2014 Carsrud D9/447
D769,716 S * 10/2016 Cameron D9/451
D811,811 S * 3/2018 Wachter D7/392.1
D899,252 S * 10/2020 Wang et al.
D899,780 S * 10/2020 Wilson-Turnbow
B65D 43/0222
D3/326
D899,933 S 10/2020 Friedman
D900,605 S 11/2020 Li
2012/0091142 A1* 4/2012 Jamison A47G 19/2211
220/371

(*) Notice: This patent is subject to a terminal disclaimer.

(**) Term: **15 Years**

(Continued)

(21) Appl. No.: **29/766,998**
(22) Filed: **Jan. 20, 2021**
(51) **LOC (13) Cl.** **09-07**
(52) **U.S. Cl.**
USPC **D9/443; D7/396.1; D9/454**
(58) **Field of Classification Search**
USPC D7/387, 391, 392.1, 396.1, 396.2, 397, D7/402, 500, 509, 510, 323, 354, 360, D7/550.1, 552.1, 553.1, 553.6, 553.7, D7/554.1, 554.2, 584, 586, 601, 602; D9/434-440, 443, 444, 445, 452, 454, D9/516; D23/206, 259, 260, 261
CPC A47G 19/2272; A47G 23/0233; B65D 43/02; B65D 43/0214; B65D 43/0225; B65D 43/0264; B65D 43/0277; B65D 43/14; B65D 51/20; B65D 2251/02; B65D 5/64
See application file for complete search history.

OTHER PUBLICATIONS

Silicone stretch lids | posted at Amazon.com, posted on Sep. 3, 2020, © 1996-2021 Amazon.com, [online], [site visited Sep. 22, 2021]. Available from Internet, <URL:https://www.amazon.co.uk/Silicone-Stretch-Reusable-Durable-Container/dp/B08HCDYCWX/> (Year: 2020).*

(Continued)

Primary Examiner — Andrew Kerr

(57) **CLAIM**

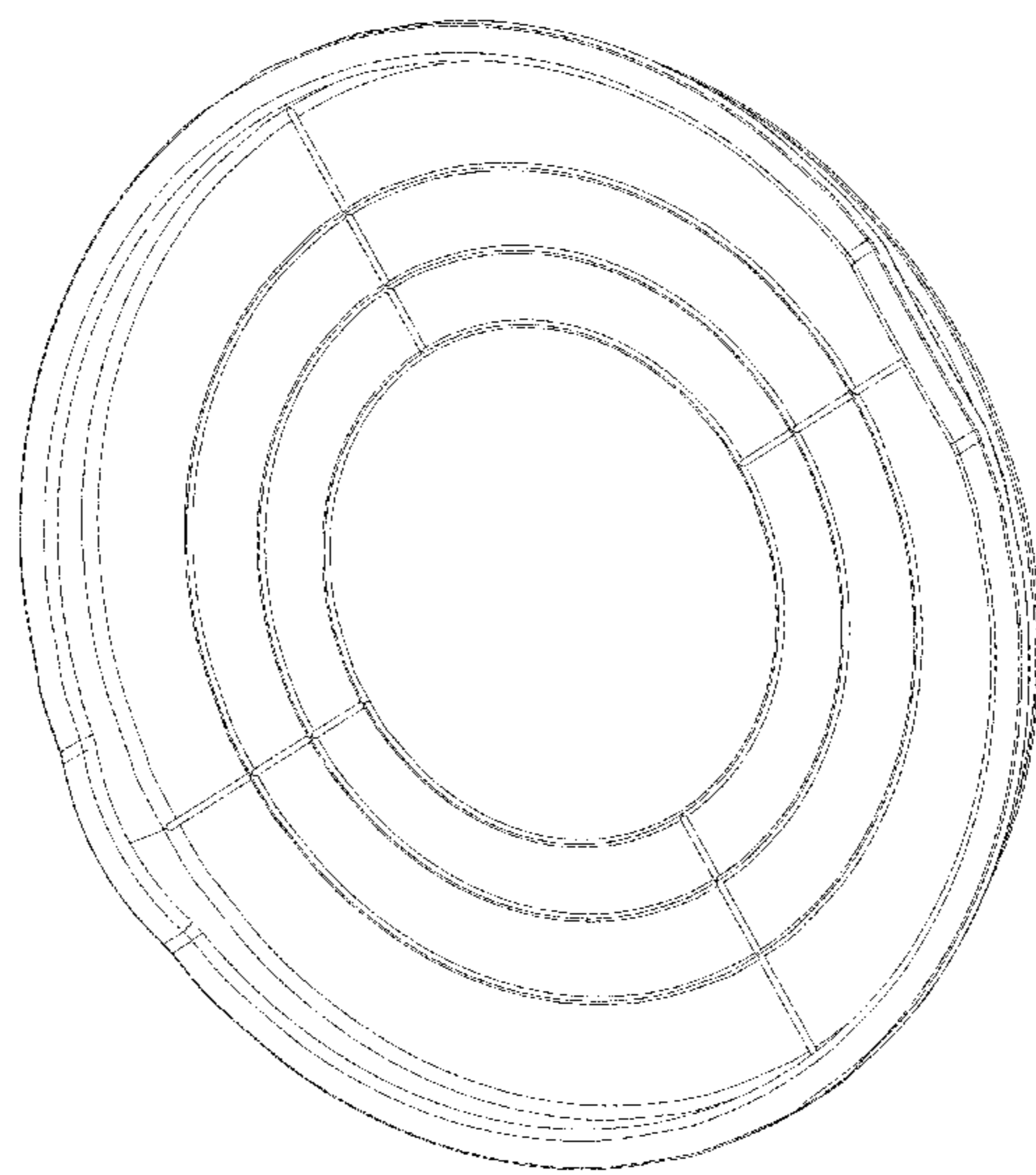
The ornamental design for a cup lid, as shown and described.

DESCRIPTION

FIG. 1 is a front perspective view of a cup lid showing my new design;
FIG. 2 is another front perspective view thereof;
FIG. 3 is a front elevation view thereof;
FIG. 4 is an enlarged left side elevation view thereof;
FIG. 5 is an enlarged right side elevation view thereof;
FIG. 6 is an enlarged top plan view thereof; and,
FIG. 7 is an enlarged bottom plan view thereof.

1 Claim, 5 Drawing Sheets

(56) **References Cited**
U.S. PATENT DOCUMENTS
D128,058 S * 7/1941 Shultz D9/452
D209,788 S * 1/1968 Cheladze D9/452



(56)

References Cited

U.S. PATENT DOCUMENTS

2014/0374428 A1* 12/2014 Watson B65D 43/02
220/780
2016/0152384 A1* 6/2016 Kapolas B65D 43/0231
215/333

OTHER PUBLICATIONS

Plastic tubing plug | posted at Amazon.com, posted on Dec. 8, 2019,
© 1996-2021 Amazon.com, [online], [site visited Sep. 22, 2021].
Available from Internet, <URL:https://www.amazon.com/dp/
B082GPKFBN/> (Year: 2019).*

* cited by examiner

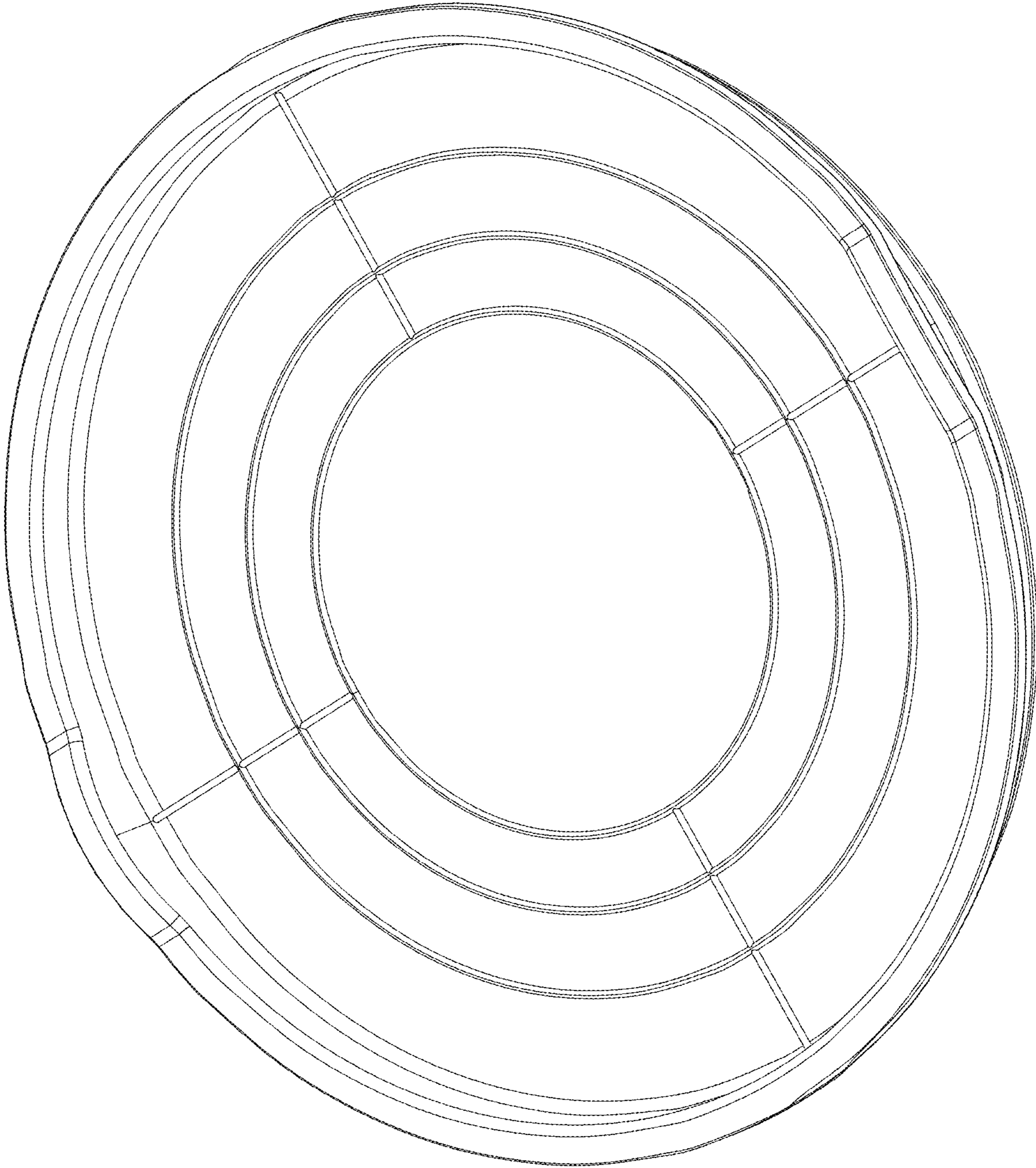


FIG. 1

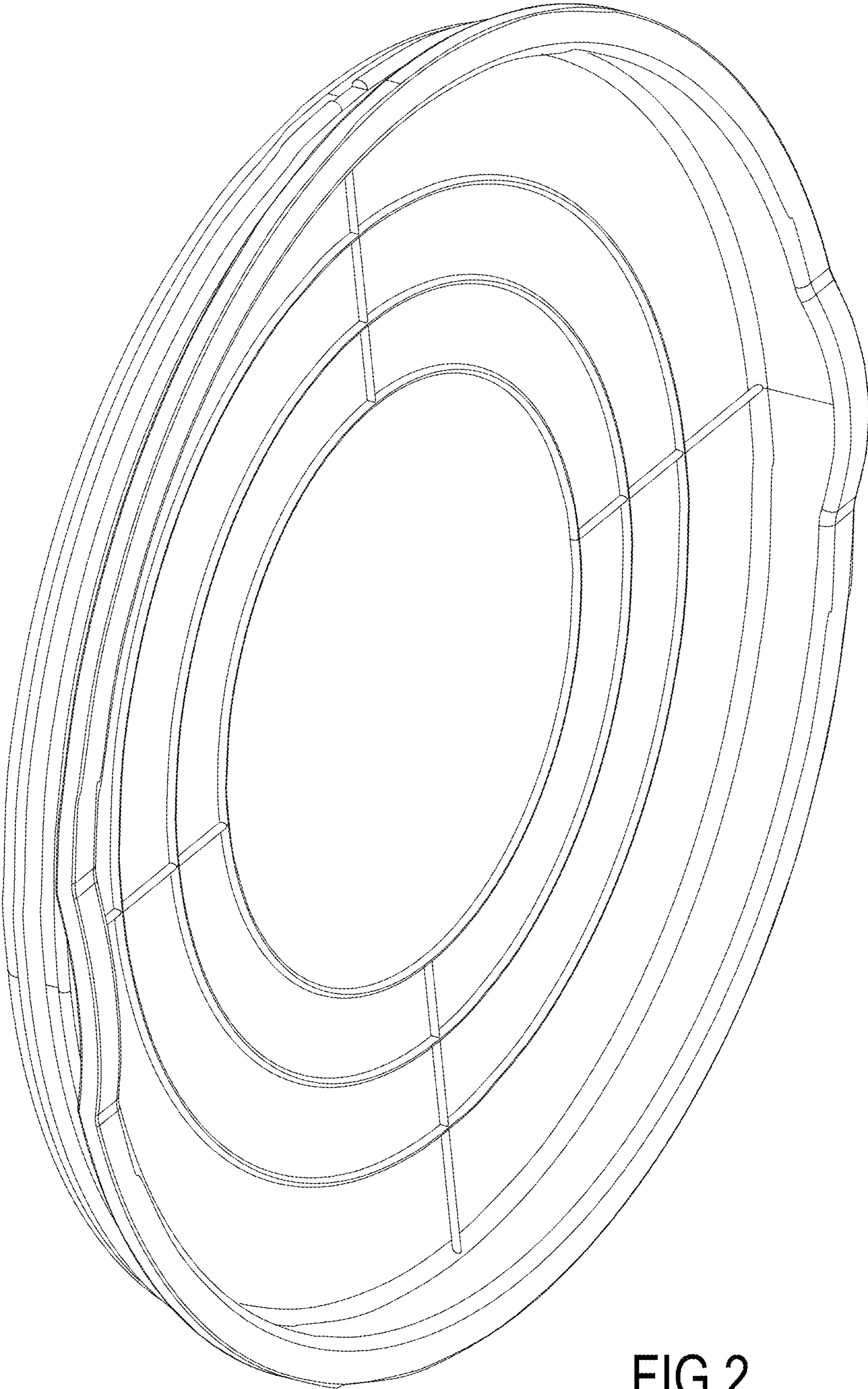


FIG.2

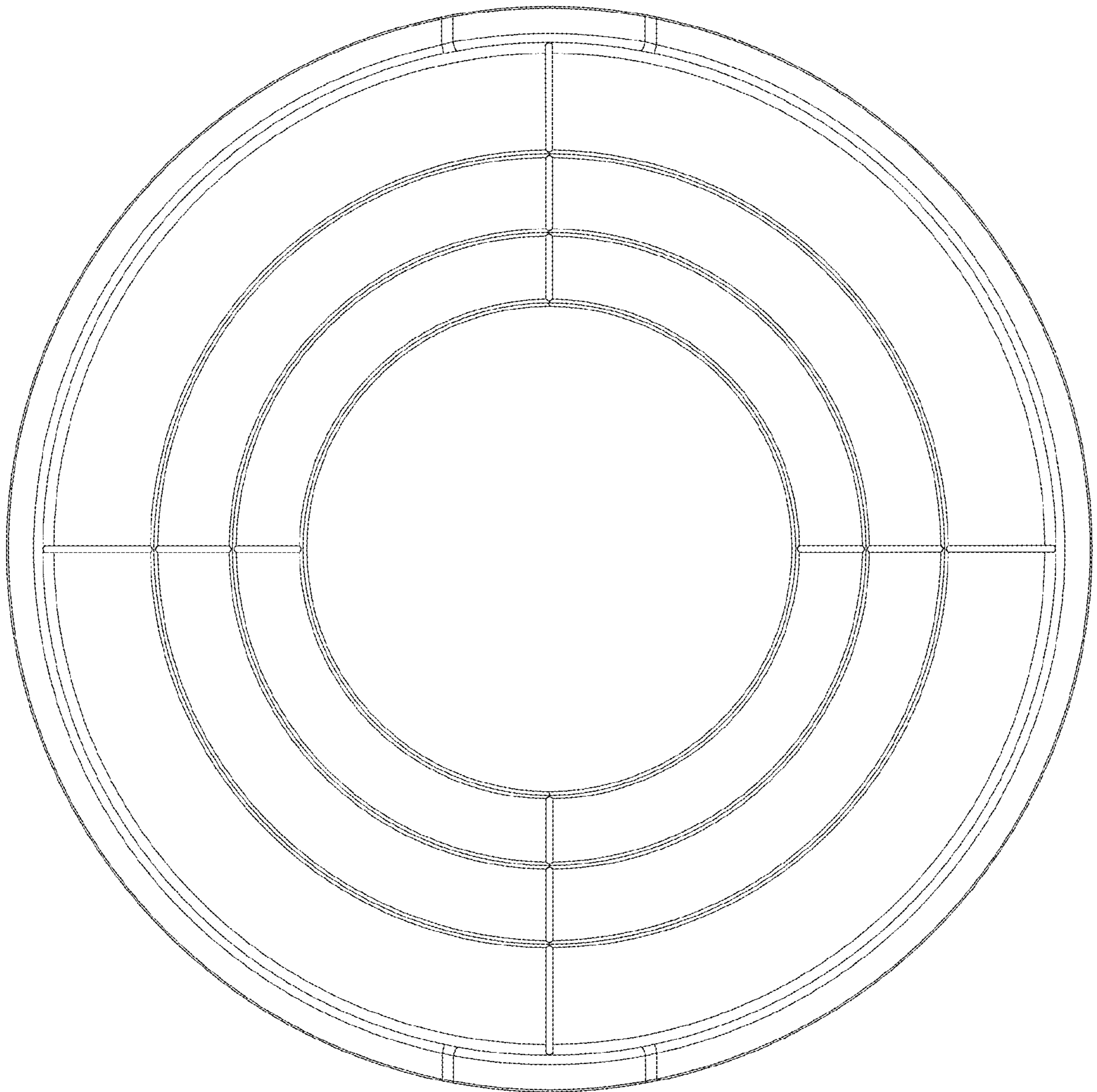


FIG.3

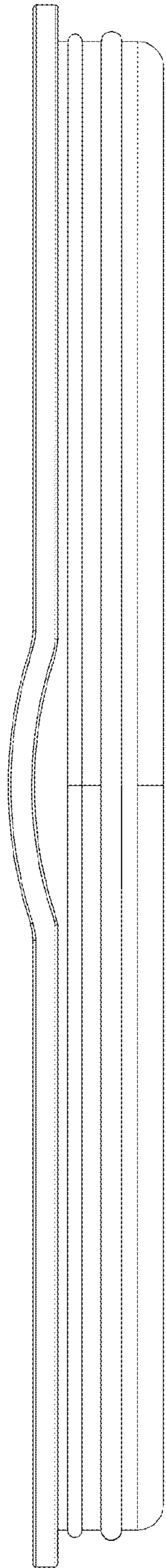


FIG.4

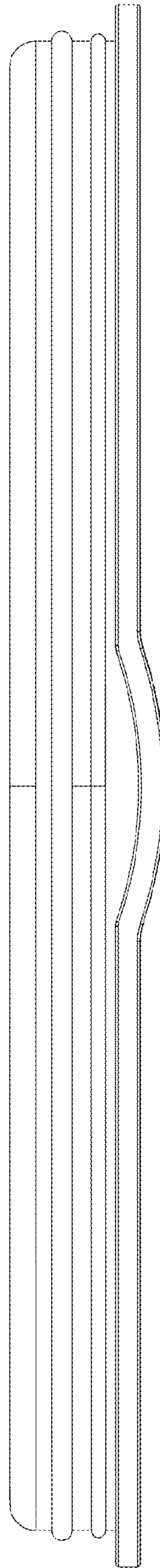


FIG.5

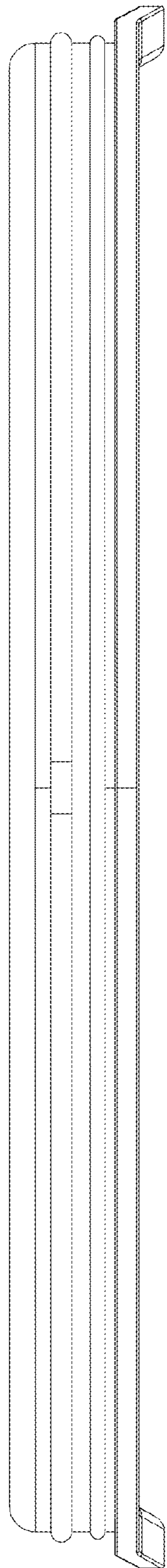


FIG. 6

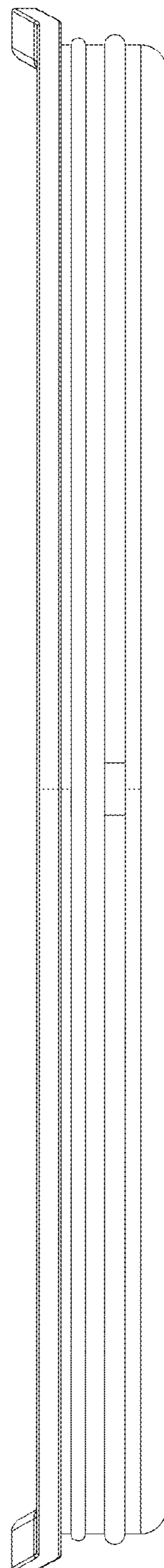


FIG. 7