



US00D959979S

(12) **United States Design Patent**  
**Graux**

(10) **Patent No.:** **US D959,979 S**

(45) **Date of Patent:** **\*\* Aug. 9, 2022**

(54) **BOTTLE CLOSURE**

(71) Applicant: **Novembal USA Inc.**, Edison, NJ (US)

(72) Inventor: **Stephane Graux**, Liergues (FR)

(73) Assignee: **Novembal USA Inc.**, Edison, NJ (US)

(\*\*) Term: **15 Years**

(21) Appl. No.: **29/775,482**

(22) Filed: **Mar. 23, 2021**

(51) **LOC (13) Cl.** ..... **09-07**

(52) **U.S. Cl.**  
USPC ..... **D9/436**

(58) **Field of Classification Search**  
USPC ..... D7/387, 391, 392, 392.1, 393, 396.1,  
D7/396.2; D9/434, 435, 439, 445, 447,  
D9/451, 454, 438, 440, 443, 452, 453;  
D23/259, 260, 261, 209, 210; D24/162,  
D24/127  
CPC ..... B65D 47/0885; B65D 47/0876; B65D  
2251/0003; B65D 2251/0015; B65D  
2251/0078; B65D 2251/08; A47G  
19/2272; A45F 3/18; C02F 1/325; C02F  
1/002; C02F 1/66; C02F 1/6858

See application file for complete search history.

(56) **References Cited**

**U.S. PATENT DOCUMENTS**

- 5,582,314 A \* 12/1996 Quinn ..... B65D 47/0885  
220/849
- D554,993 S \* 11/2007 Kerman ..... D9/438
- D607,269 S \* 1/2010 Andersson ..... D10/101
- D727,730 S \* 4/2015 Buschmann ..... D9/449
- D737,679 S \* 9/2015 Buschmann ..... D9/449
- D885,895 S \* 6/2020 Berroa García ..... D9/449
- D917,286 S \* 4/2021 Graux ..... D9/436
- D933,478 S \* 10/2021 Berroa García ..... D9/449

- D933,479 S \* 10/2021 Berroa García ..... D9/449
- D939,960 S \* 1/2022 Naumann ..... D9/449
- D940,838 S \* 1/2022 Sang ..... D9/436
- D941,148 S \* 1/2022 Graux ..... D9/453
- D941,149 S \* 1/2022 Graux ..... D9/453
- 2022/0048680 A1 \* 2/2022 Grabarczyk ..... B65D 43/16
- 2022/0048681 A1 \* 2/2022 Grabarczyk ..... B65D 47/0838

**FOREIGN PATENT DOCUMENTS**

FR 2911584 A1 \* 7/2008 ..... B65D 41/3428

**OTHER PUBLICATIONS**

Novaqua HOD 55 NS Linerless: Announced Sep. 26, 2020 [online].  
Site Visited [May 7, 2022]. Available from Internet URL: <https://www.novembal.com/en/home-office-delivery/home-office-delivery/novaqua-hod-55-ns-linerless-prd-12>.\*

\* cited by examiner

*Primary Examiner* — Catherine S Posthauer

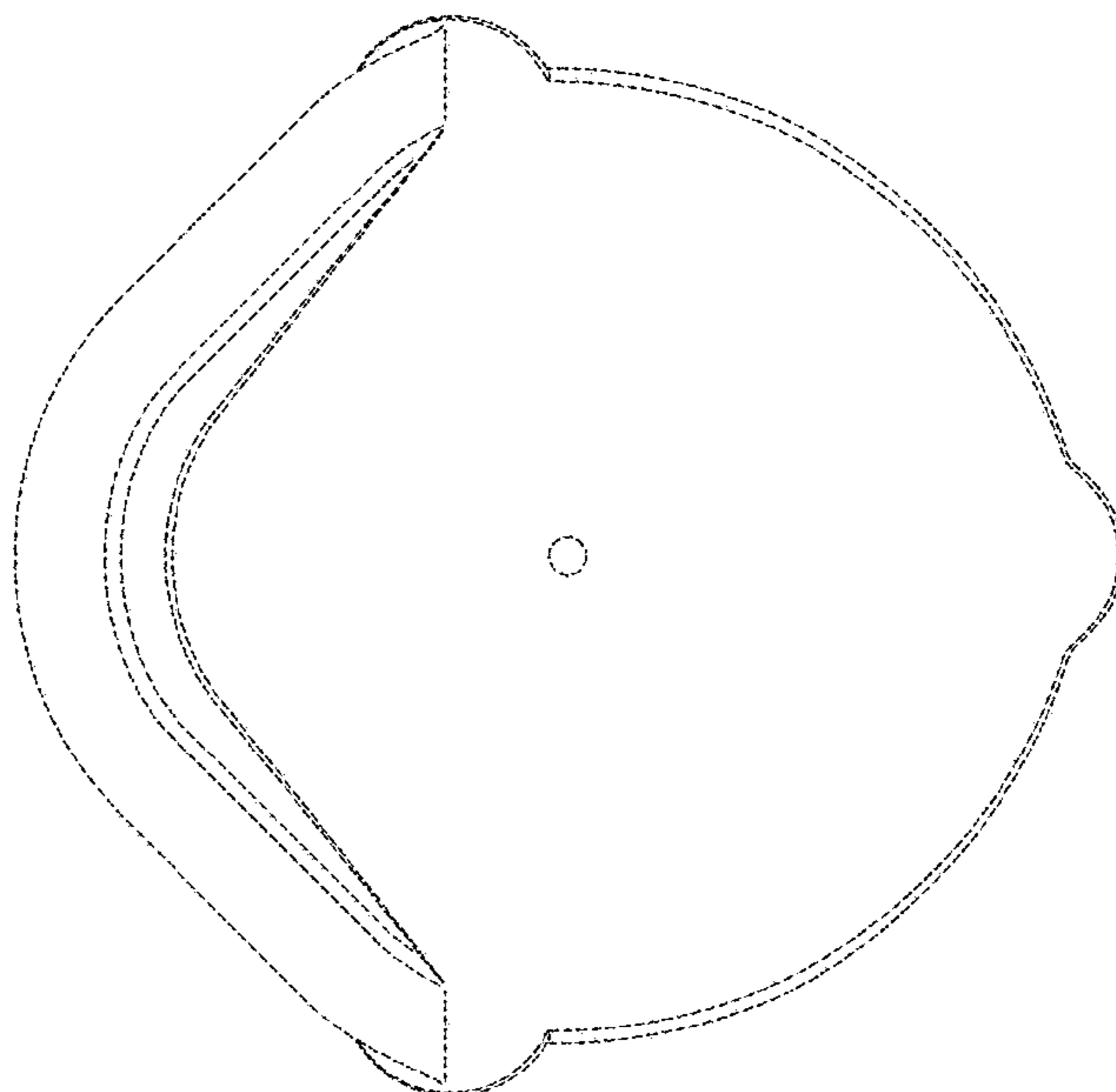
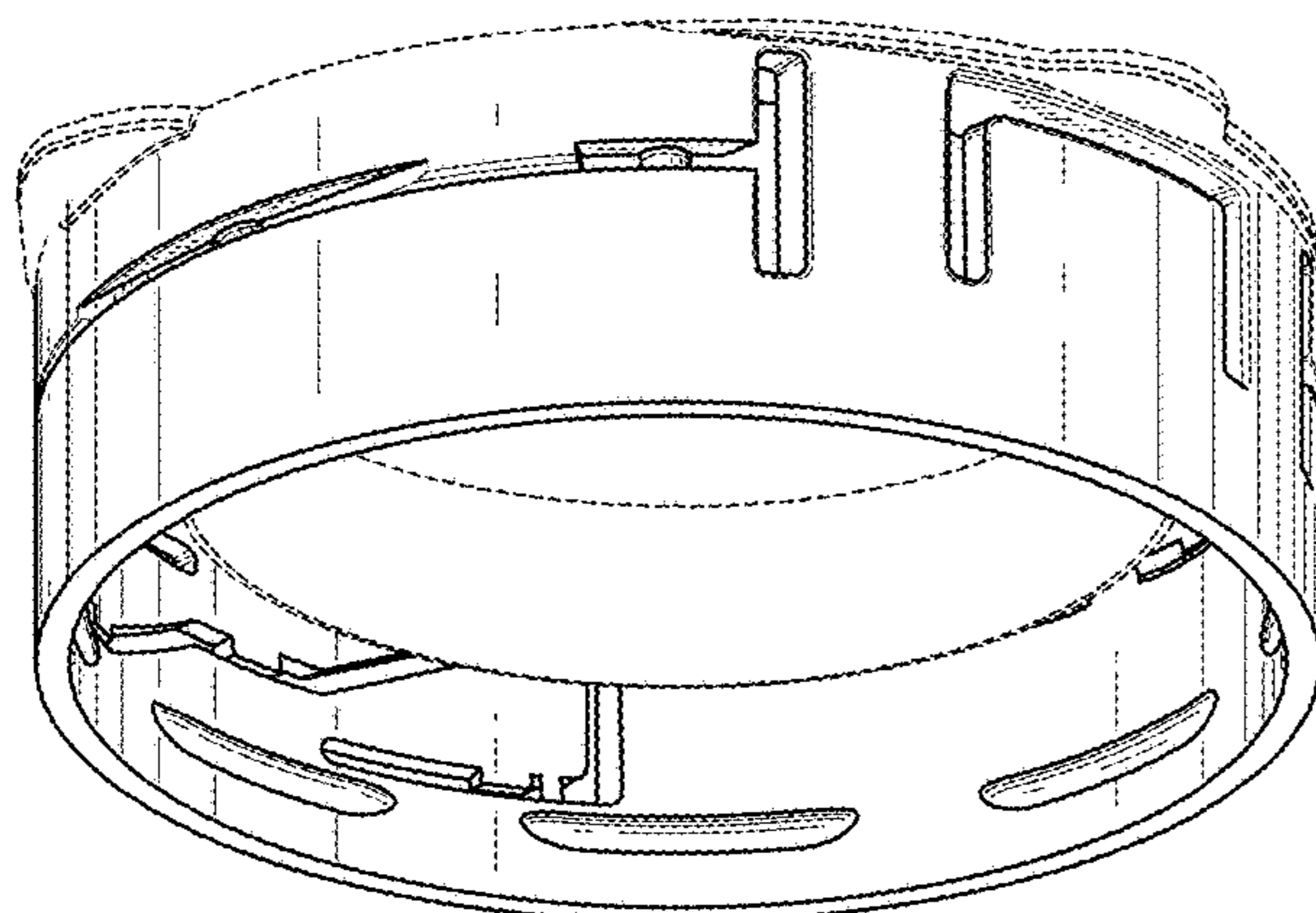
(57) **CLAIM**

I claim the ornamental design for a bottle closure, as shown and described.

**DESCRIPTION**

FIG. 1 is a bottom perspective view of a bottle closure in accordance with my new design;  
FIG. 2 is a left view thereof;  
FIG. 3 is a right view thereof;  
FIG. 4 is a front view thereof;  
FIG. 5 is a back view thereof;  
FIG. 6 is a top plan view thereof; and,  
FIG. 7 is a bottom view thereof.  
The broken lines are shown for the purpose of illustrating parts of the article that form no part of the claimed design.

**1 Claim, 7 Drawing Sheets**



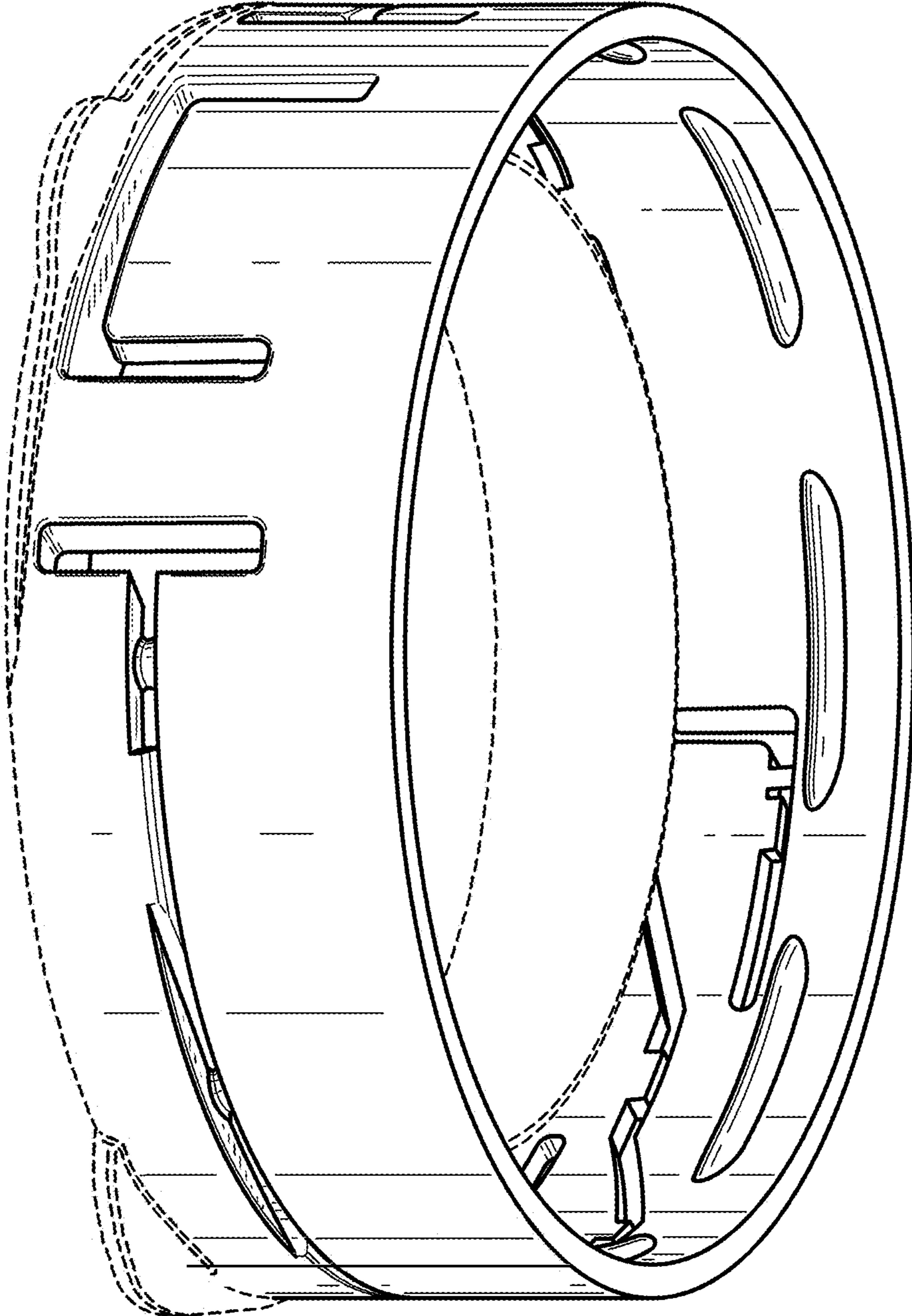


FIG. 1

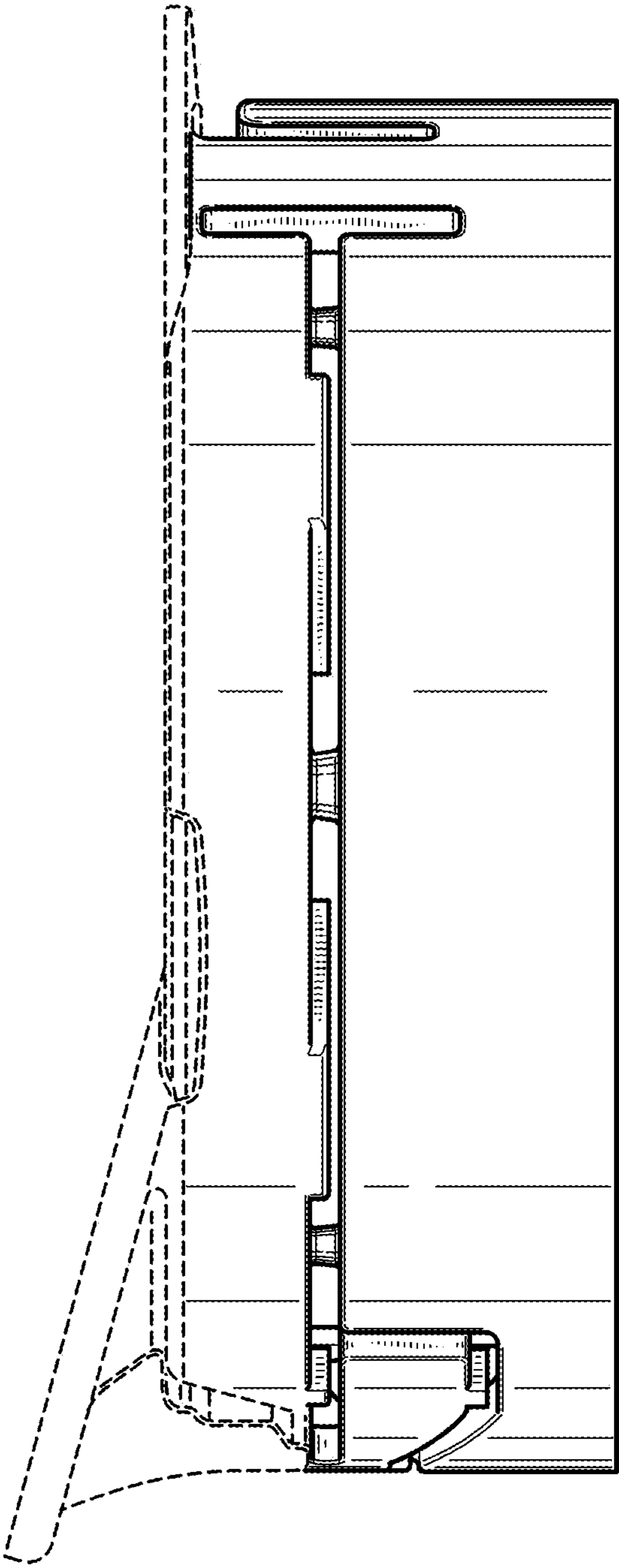


FIG. 2

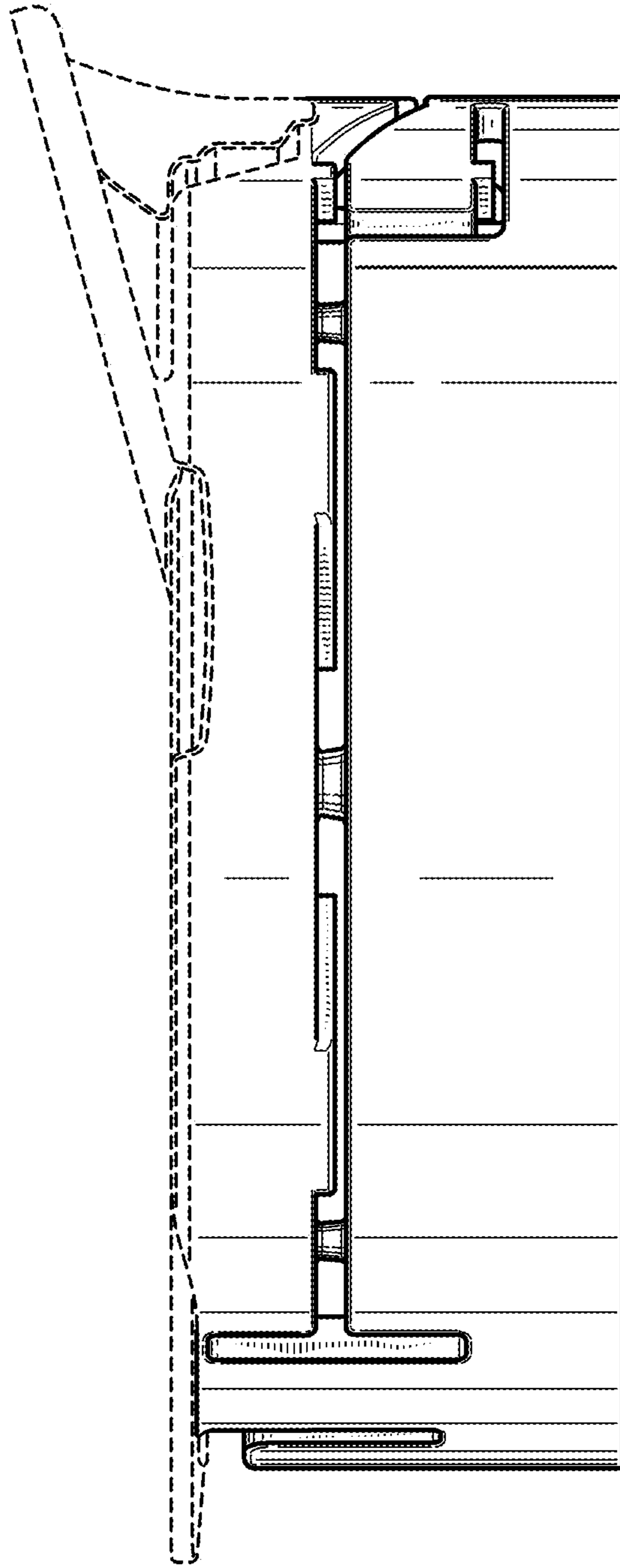


FIG. 3

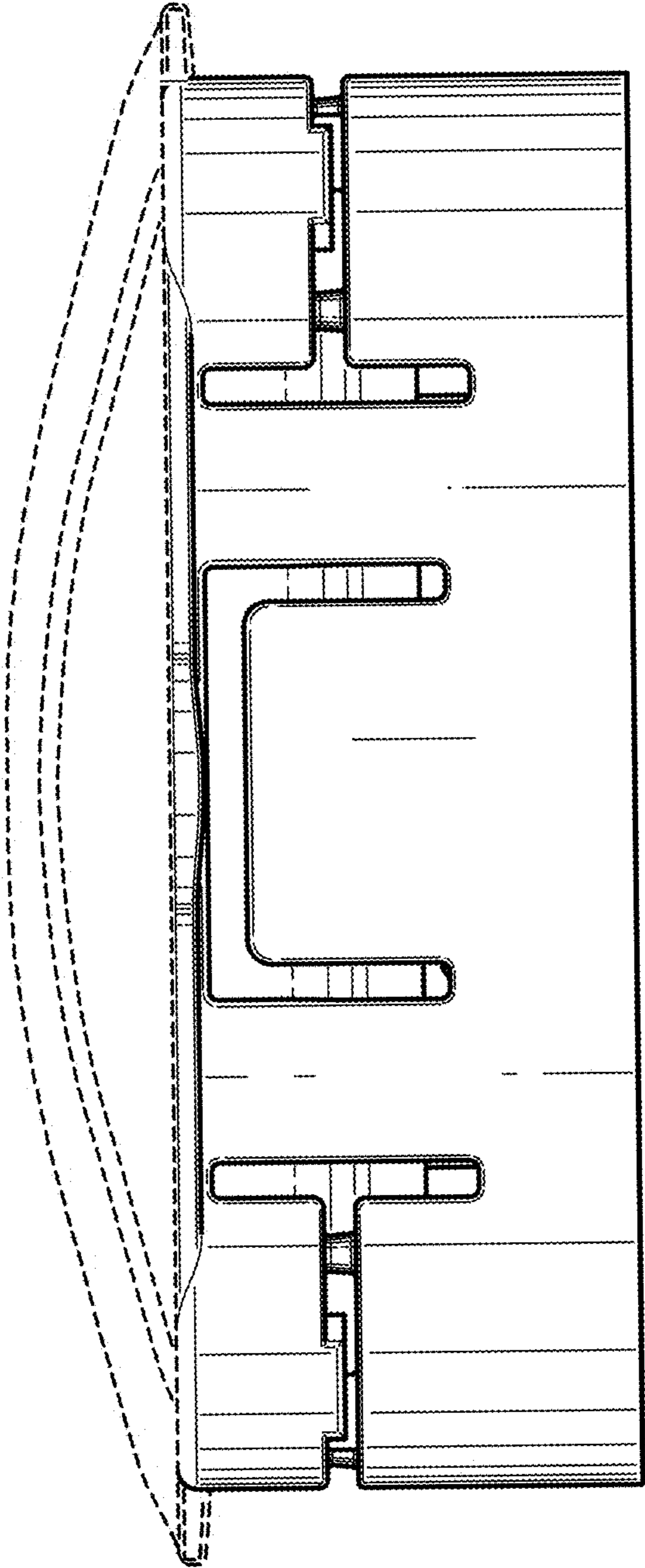


FIG. 4



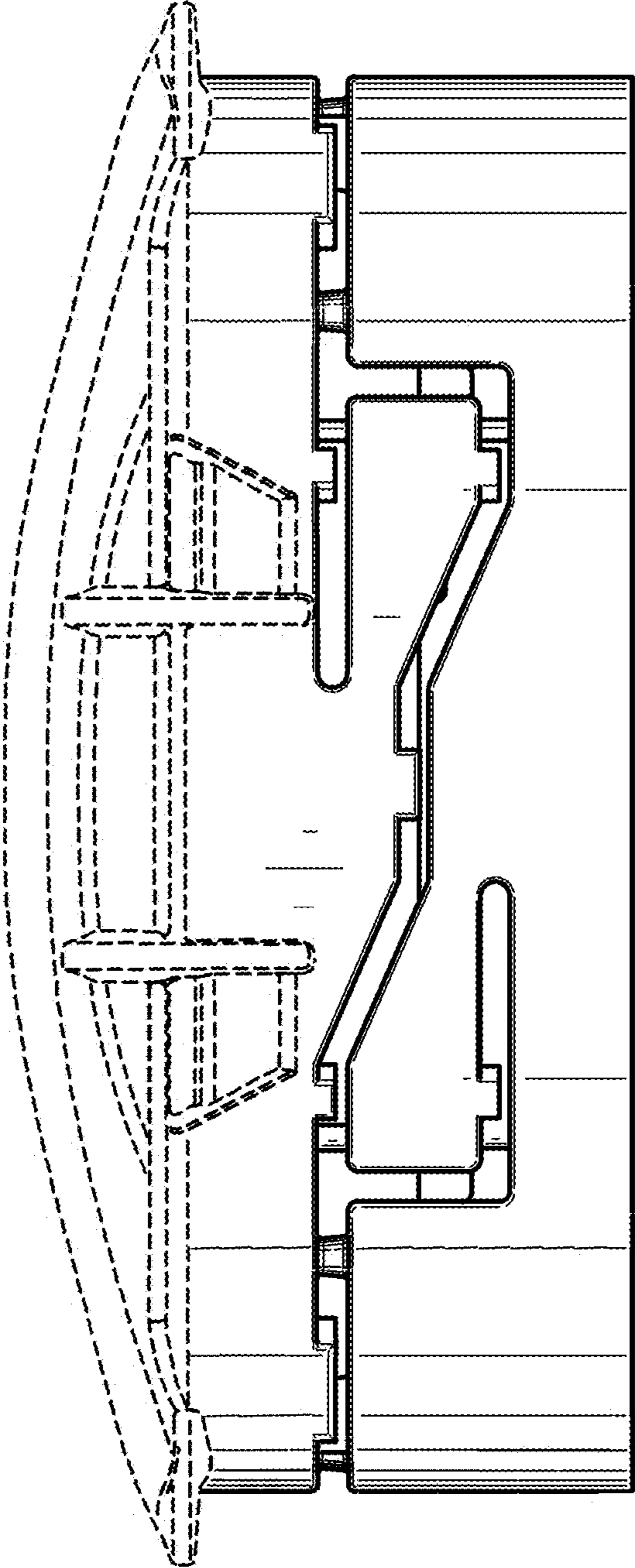


FIG. 5

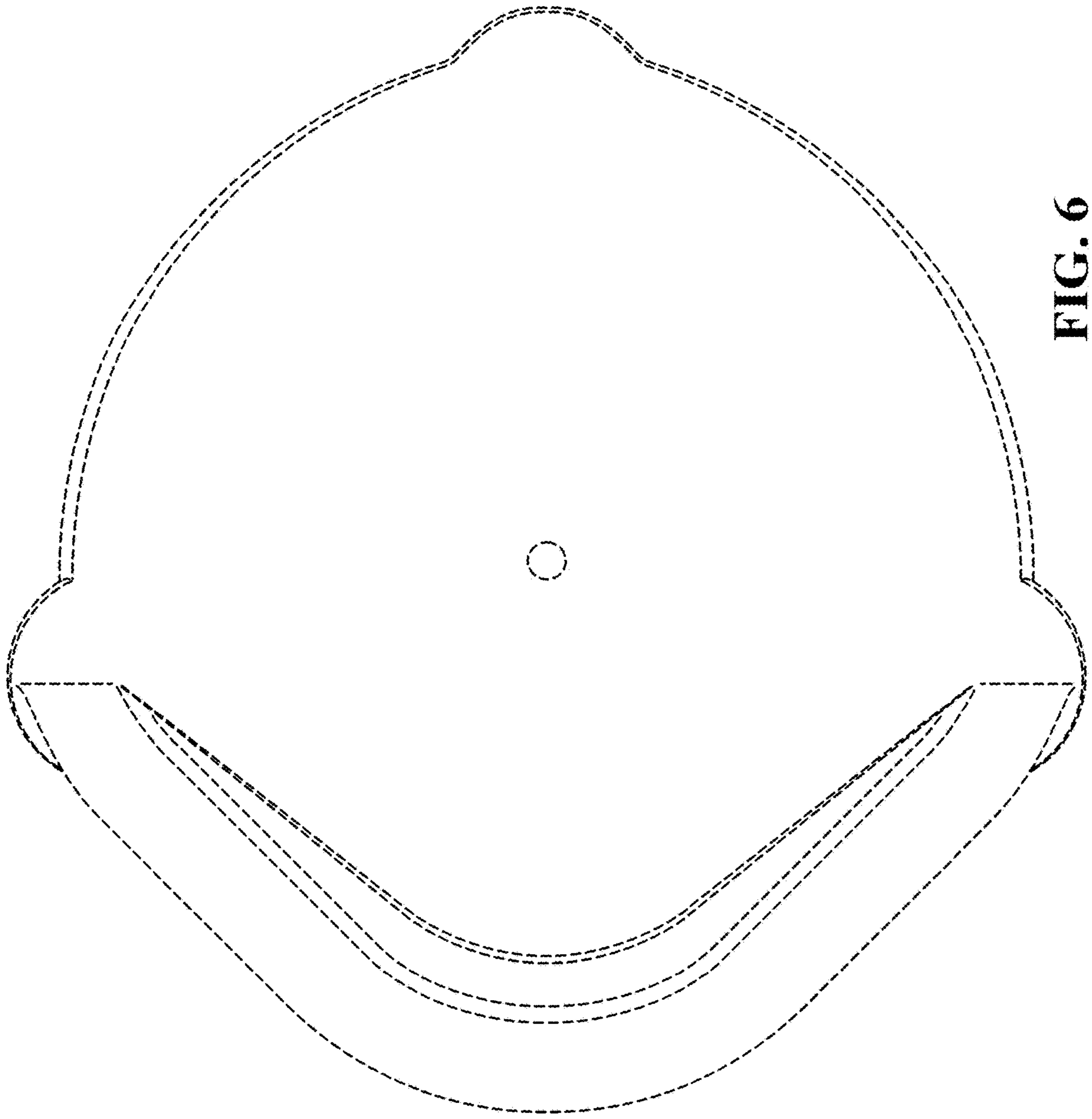


FIG. 6

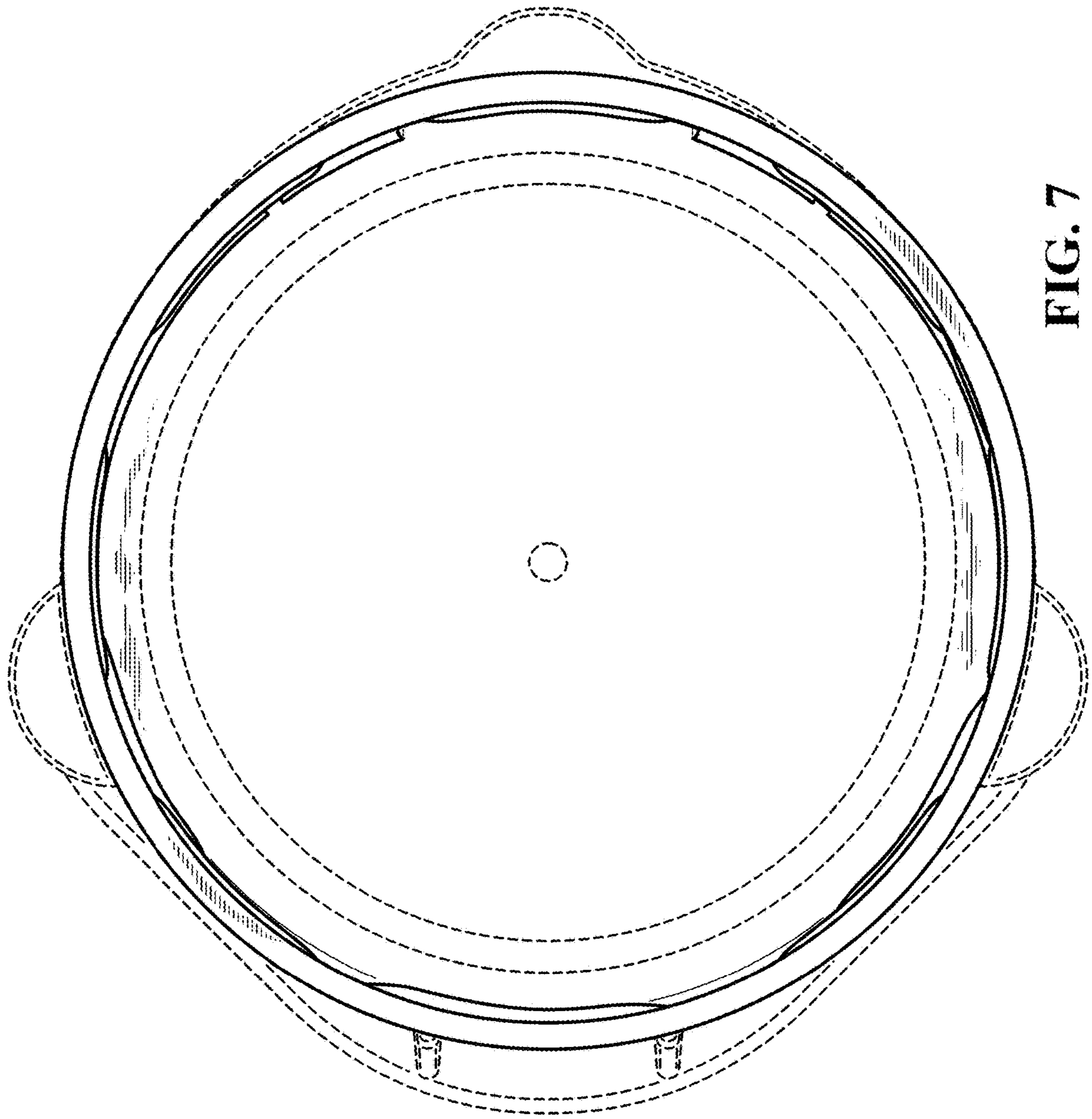


FIG. 7